



US00D669152S

(12) **United States Design Patent**  
**Jyo et al.**

(10) **Patent No.:** **US D669,152 S**  
(45) **Date of Patent:** **\*\* Oct. 16, 2012**

(54) **FISHING REEL**

(75) Inventors: **Hideki Jyo**, Higashikurume (JP);  
**Tomoyuki Amano**, Higashikurume (JP);  
**Sakae Kobayashi**, Higashikurume (JP);  
**Daisuke Higuchi**, Musashino (JP)

(73) Assignee: **Globeride, Inc.**, Tokyo (JP)

(\*\*) Term: **14 Years**

(21) Appl. No.: **29/409,602**

(22) Filed: **Dec. 27, 2011**

(30) **Foreign Application Priority Data**

Jun. 28, 2011 (JP) ..... 2011-014571

(51) **LOC (9) Cl.** ..... **22-05**

(52) **U.S. Cl.** ..... **D22/140**

(58) **Field of Classification Search** ..... D22/137-140;  
242/234-240, 223-224, 314, 323, 370  
See application file for complete search history.

(56) **References Cited**

**U.S. PATENT DOCUMENTS**

2,932,466 A \* 4/1960 Soffe ..... 242/286  
D443,333 S \* 6/2001 Gibson ..... D22/140  
D451,577 S \* 12/2001 Duarte ..... D22/140  
D476,715 S \* 7/2003 Robbins et al. .... D22/140

D500,547 S \* 1/2005 Gray ..... D22/140  
D595,806 S \* 7/2009 Nago ..... D22/140  
D654,553 S \* 2/2012 McCune et al. .... D22/140

\* cited by examiner

*Primary Examiner* — Catheri Oliver

(74) *Attorney, Agent, or Firm* — Sughrue Mion, PLLC

(57) **CLAIM**

The ornamental design for a fishing reel, as shown and described.

**DESCRIPTION**

FIG. 1 is a perspective view of a fishing reel showing our new design;

FIG. 2 is a front view thereof;

FIG. 3 is a rear view thereof;

FIG. 4 is a left side view thereof;

FIG. 5 is a right side view thereof;

FIG. 6 is a top plan view thereof;

FIG. 7 is a bottom view thereof;

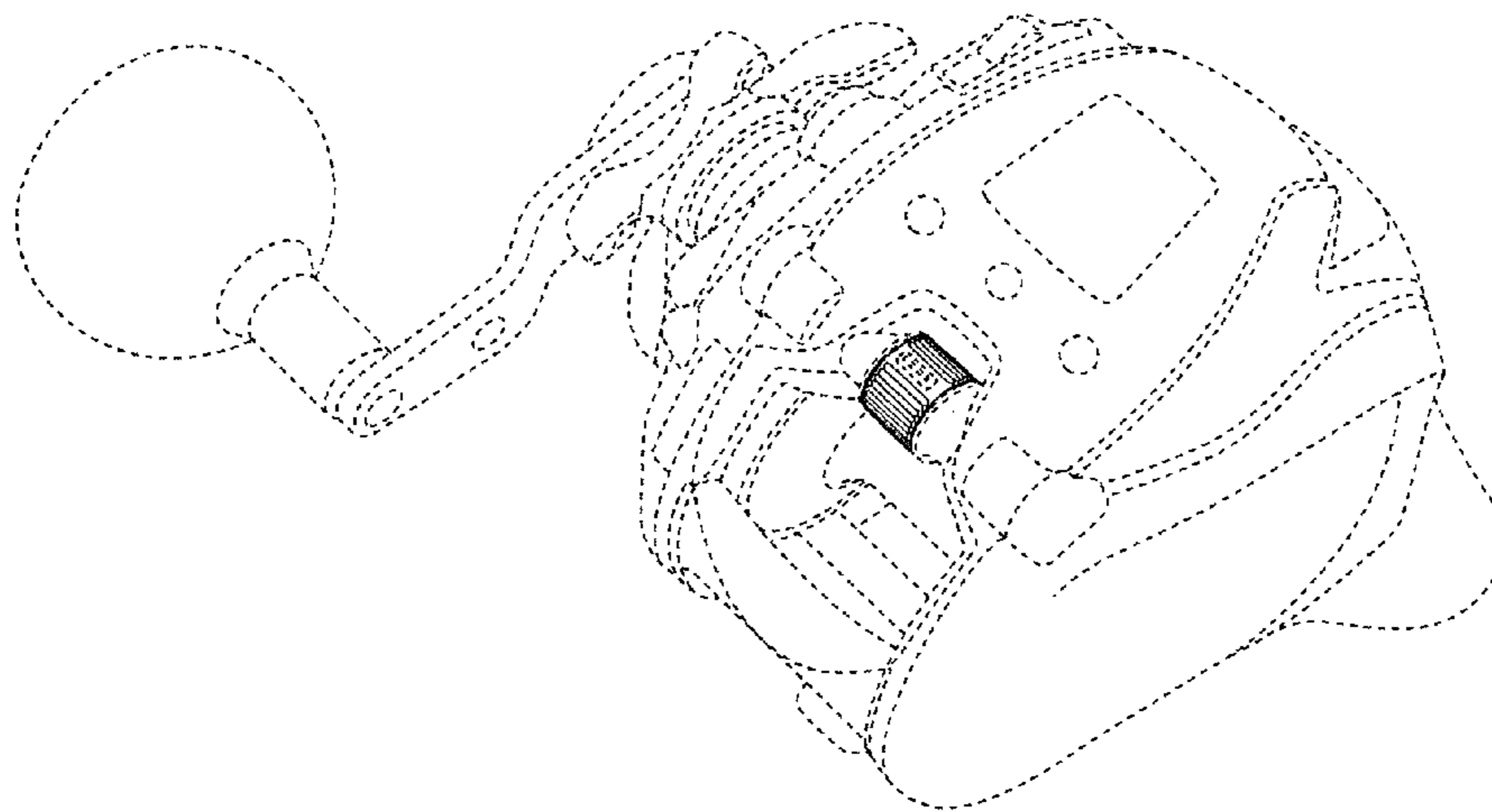
FIG. 8 is a reference enlarged front view thereof;

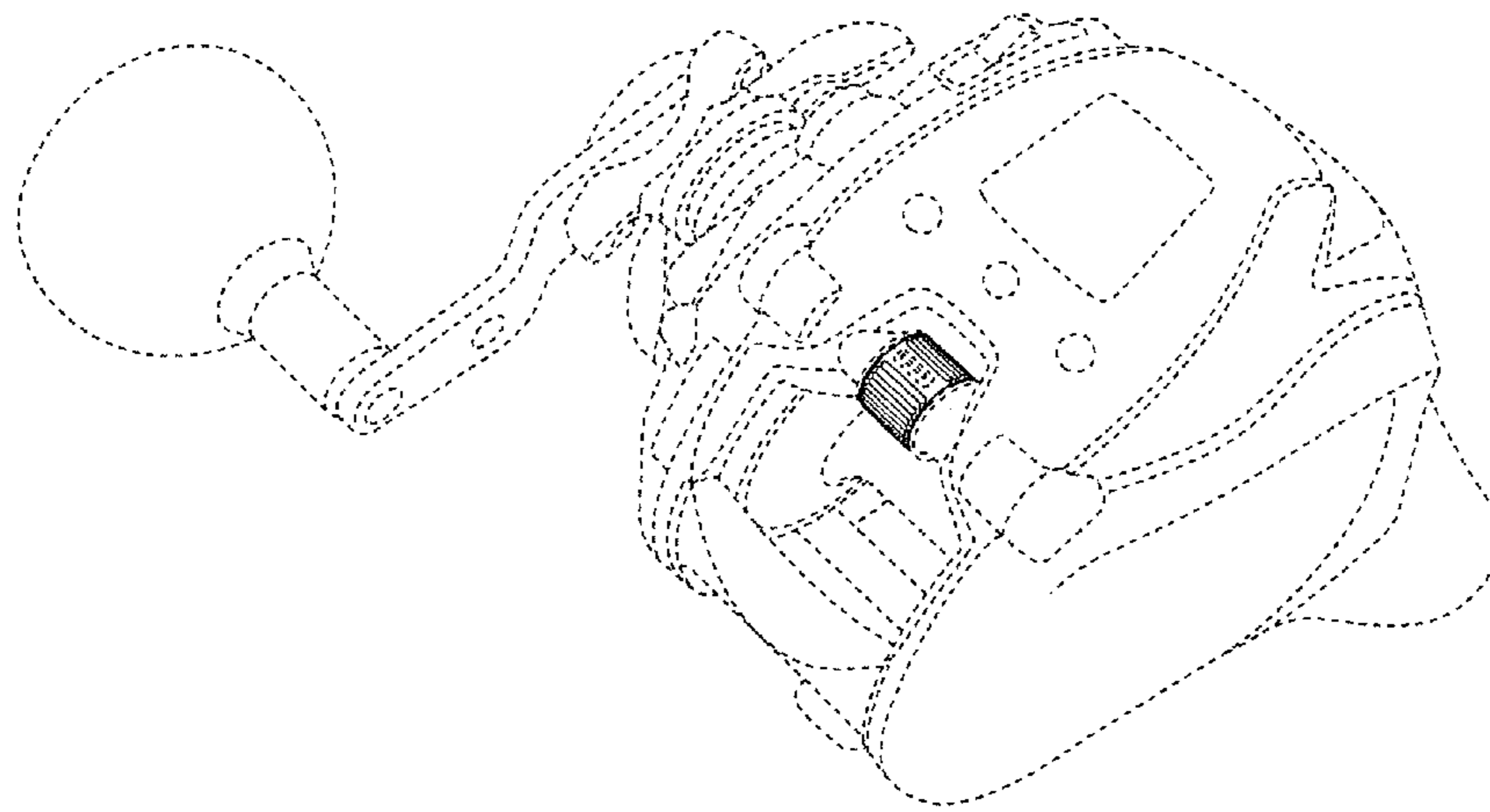
FIG. 9 is a reference enlarged bottom view thereof; and,

FIG. 10 is a cross-section view along an arrow 10-10.

The dot-dash broken lines represent the bounds of the claimed design while all other broken lines are directed to environment and are for illustrative purposes only; the broken lines form no part of the claimed design.

**1 Claim, 7 Drawing Sheets**





*FIG. 1*

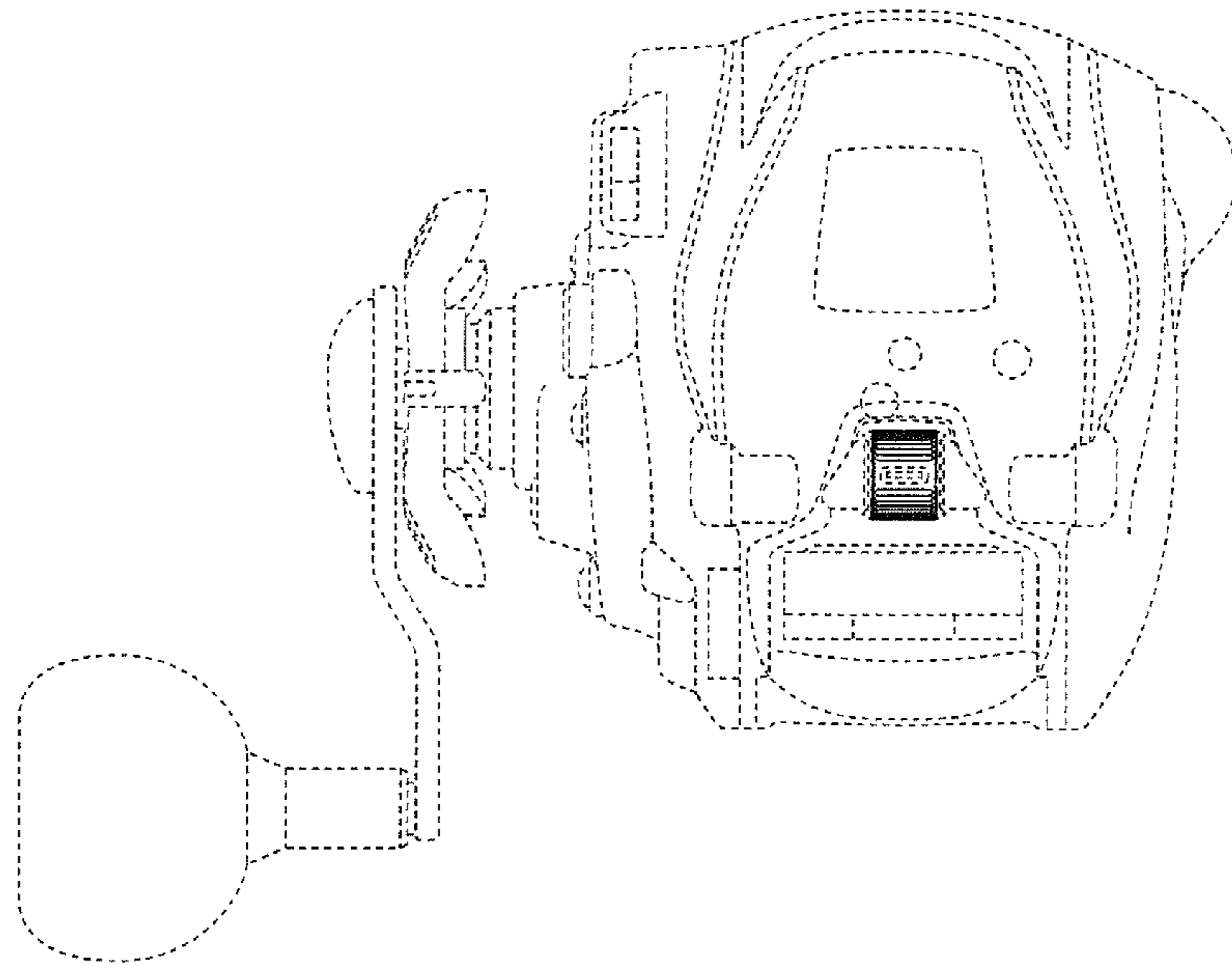


FIG. 2

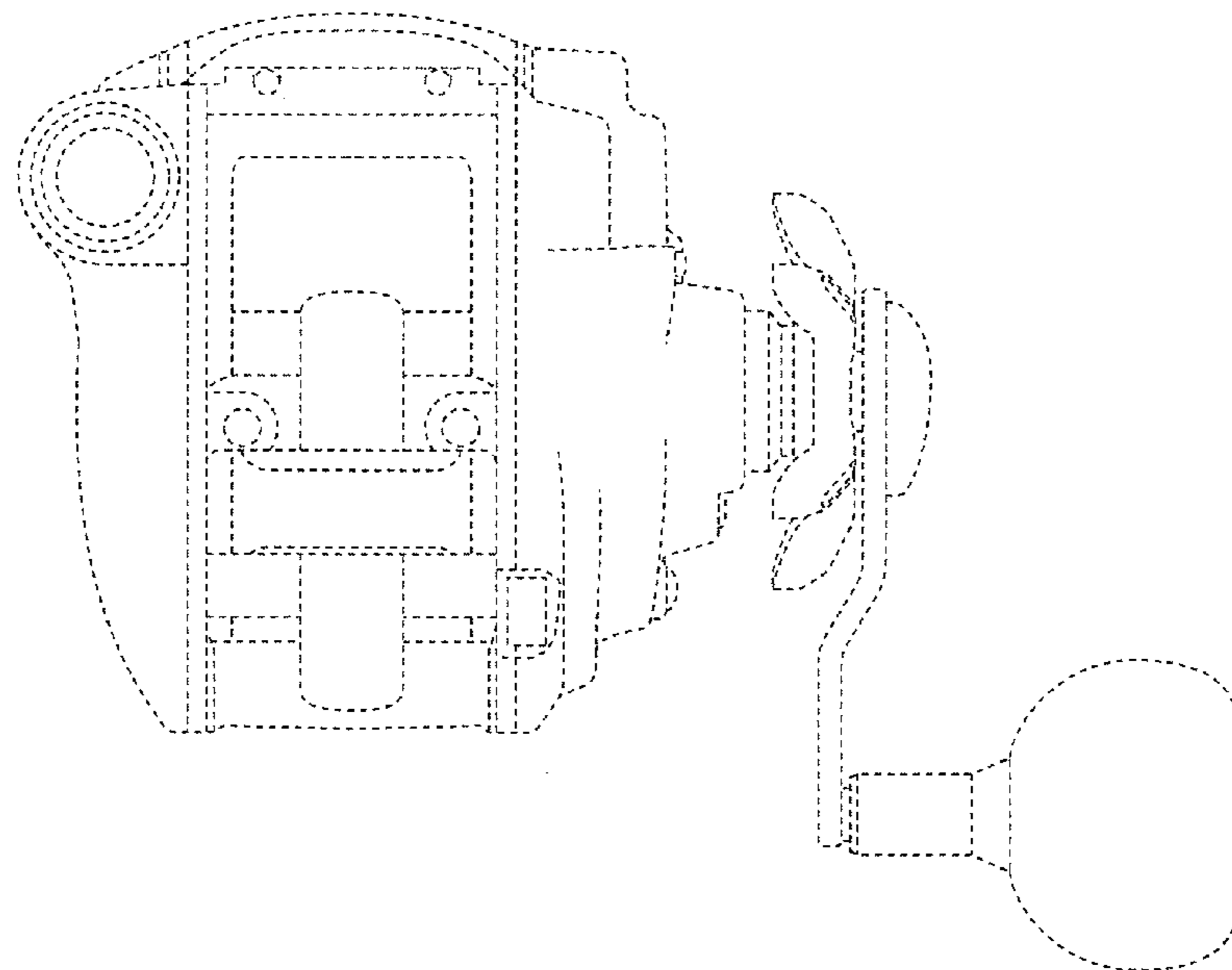
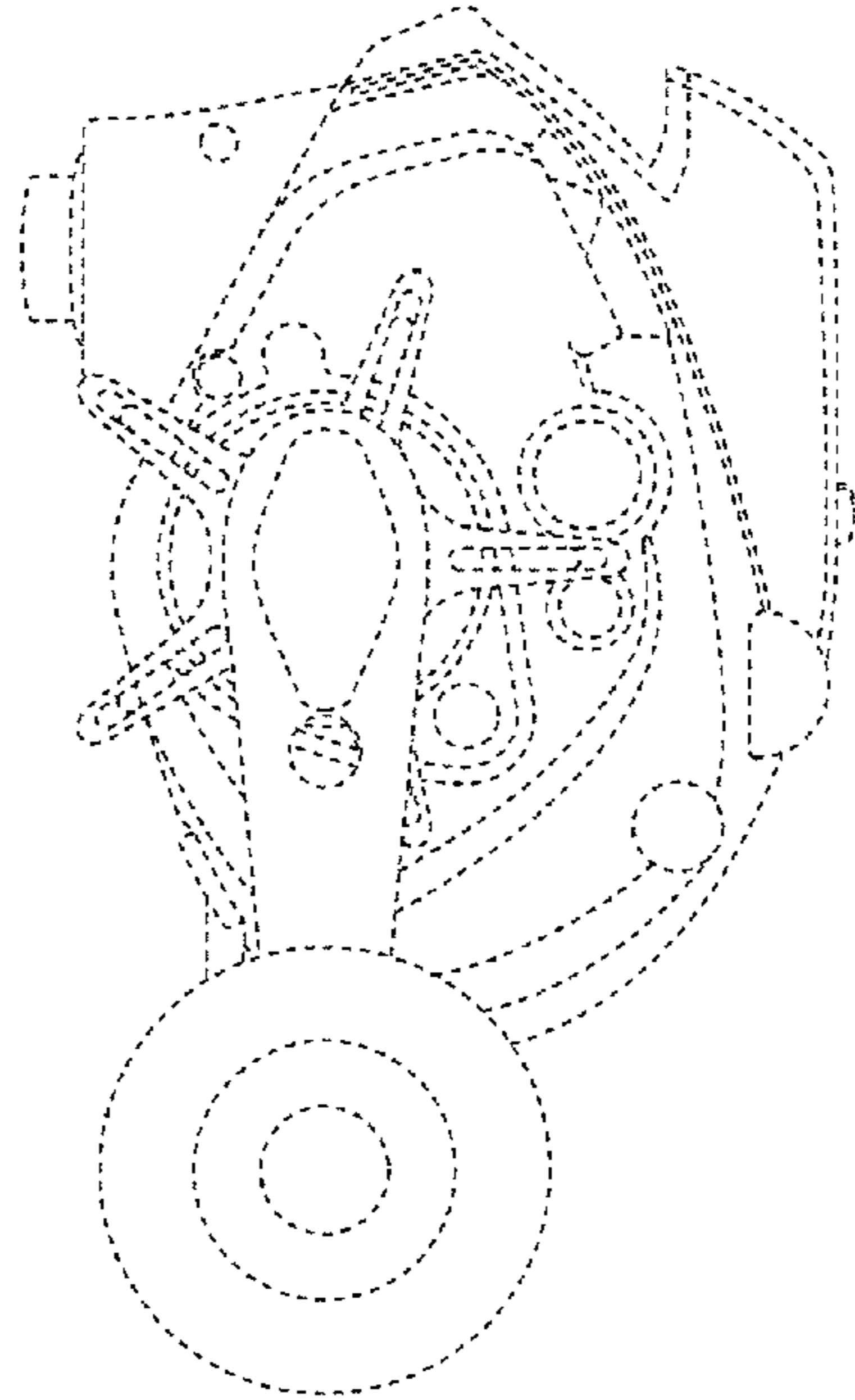
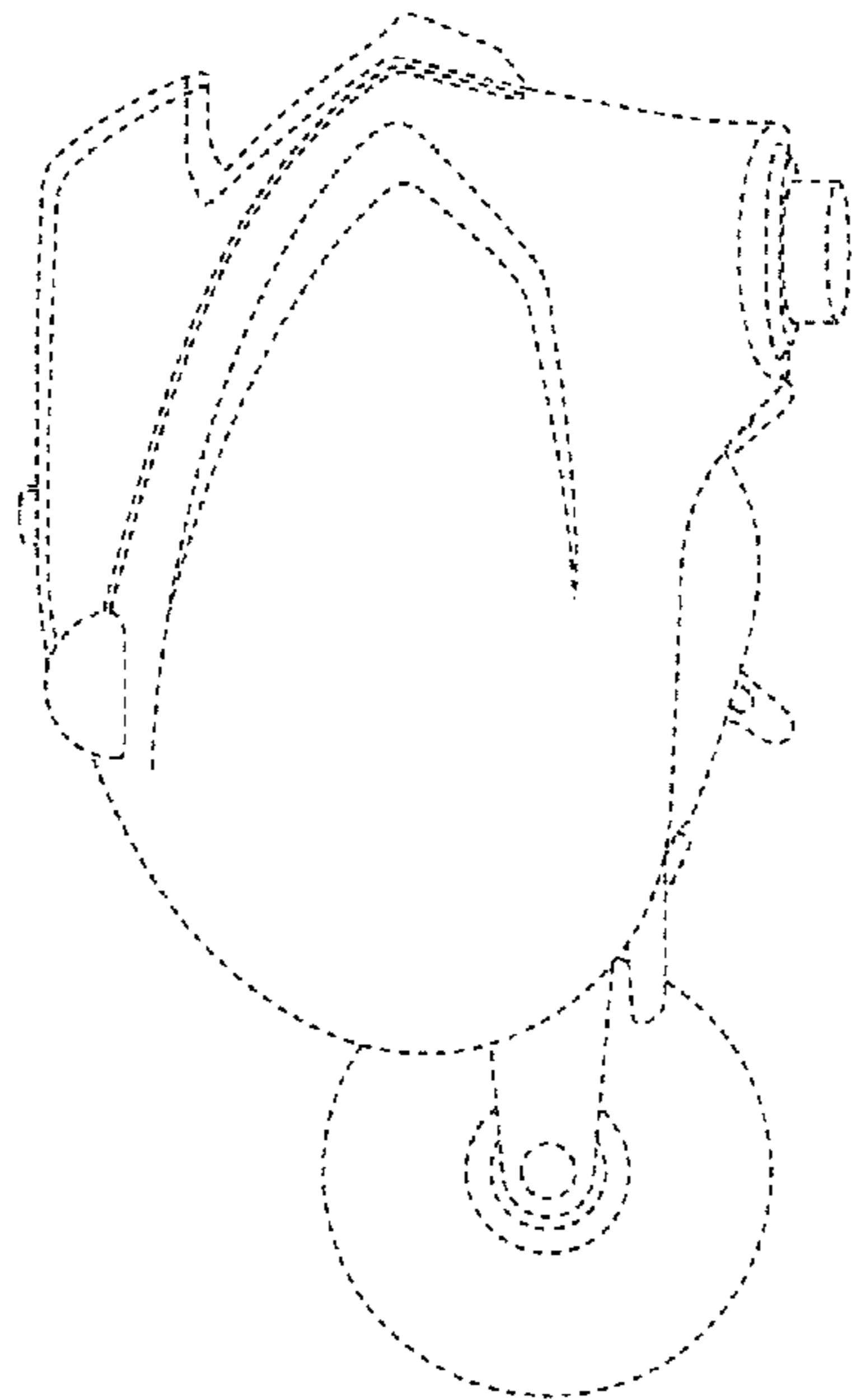


FIG. 3



**FIG. 4**



**FIG. 5**

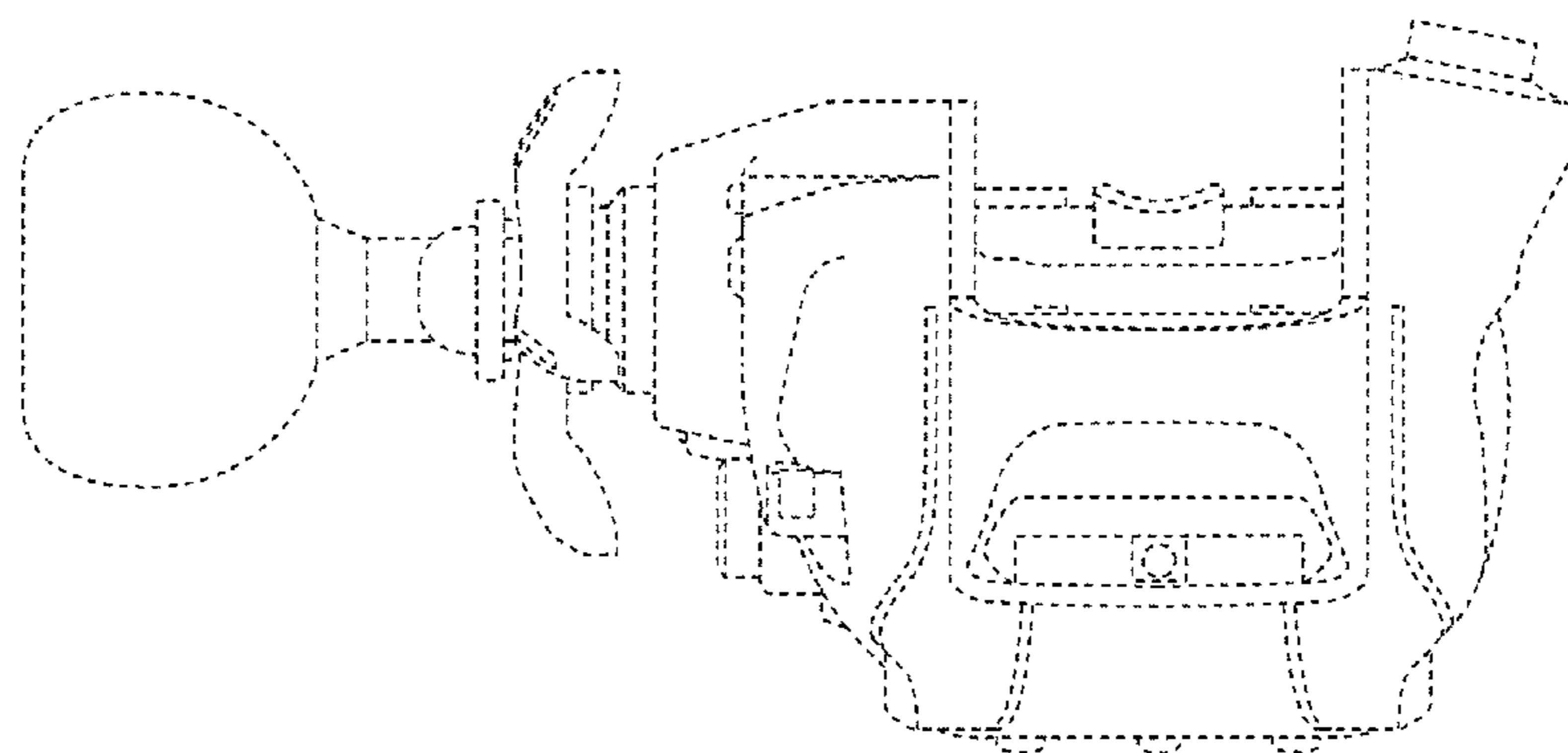


FIG. 6

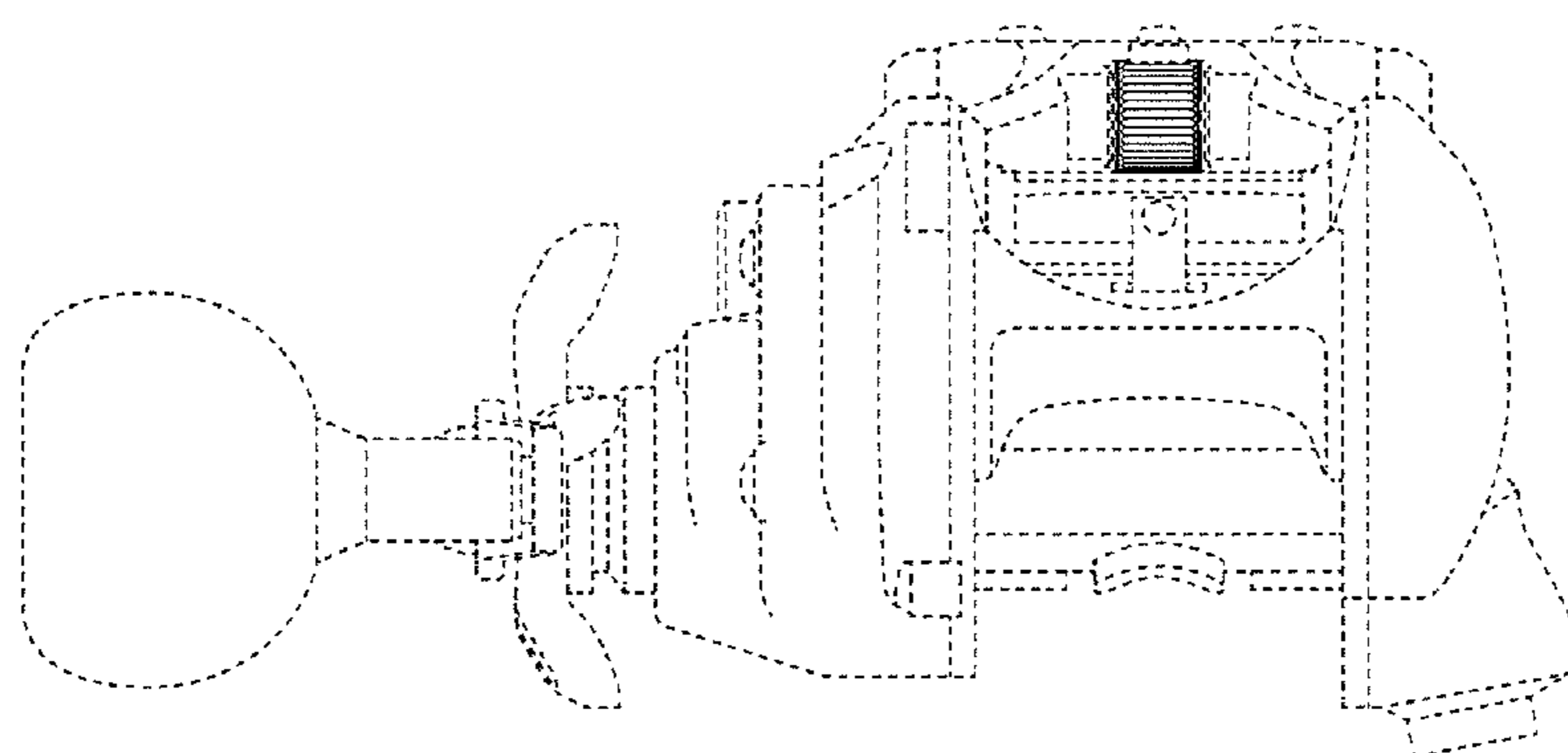


FIG. 7

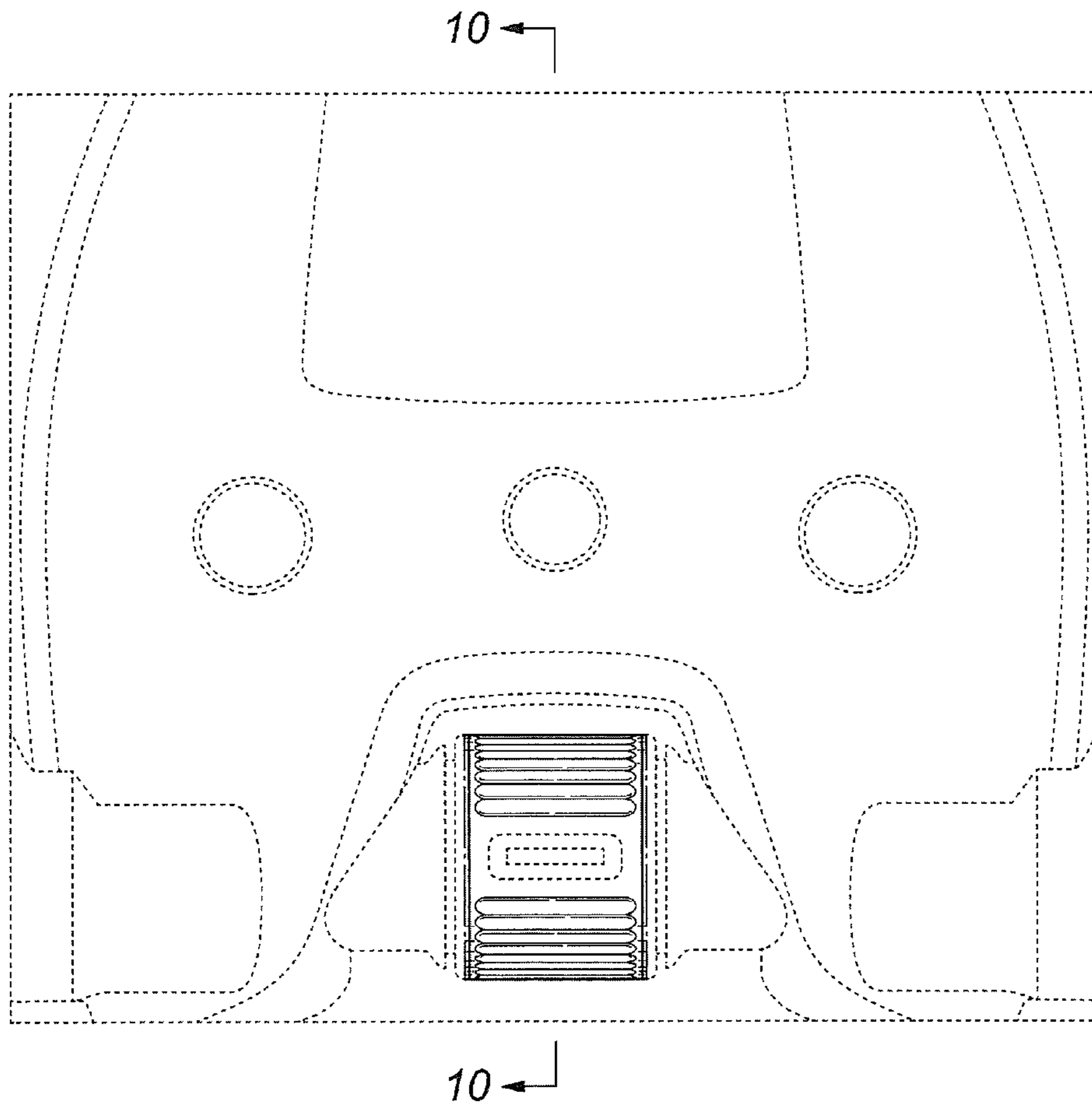


FIG. 8

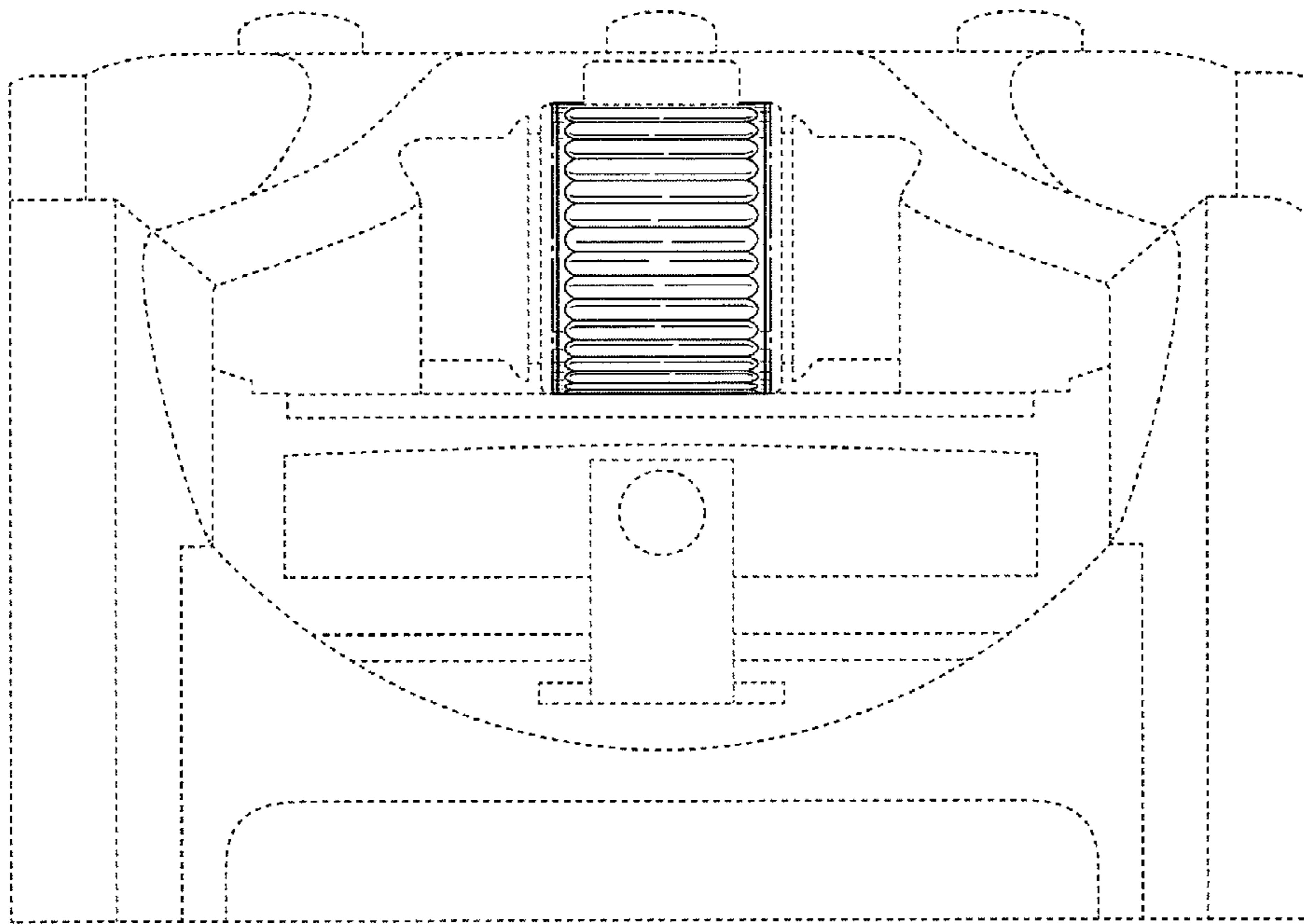


FIG. 9

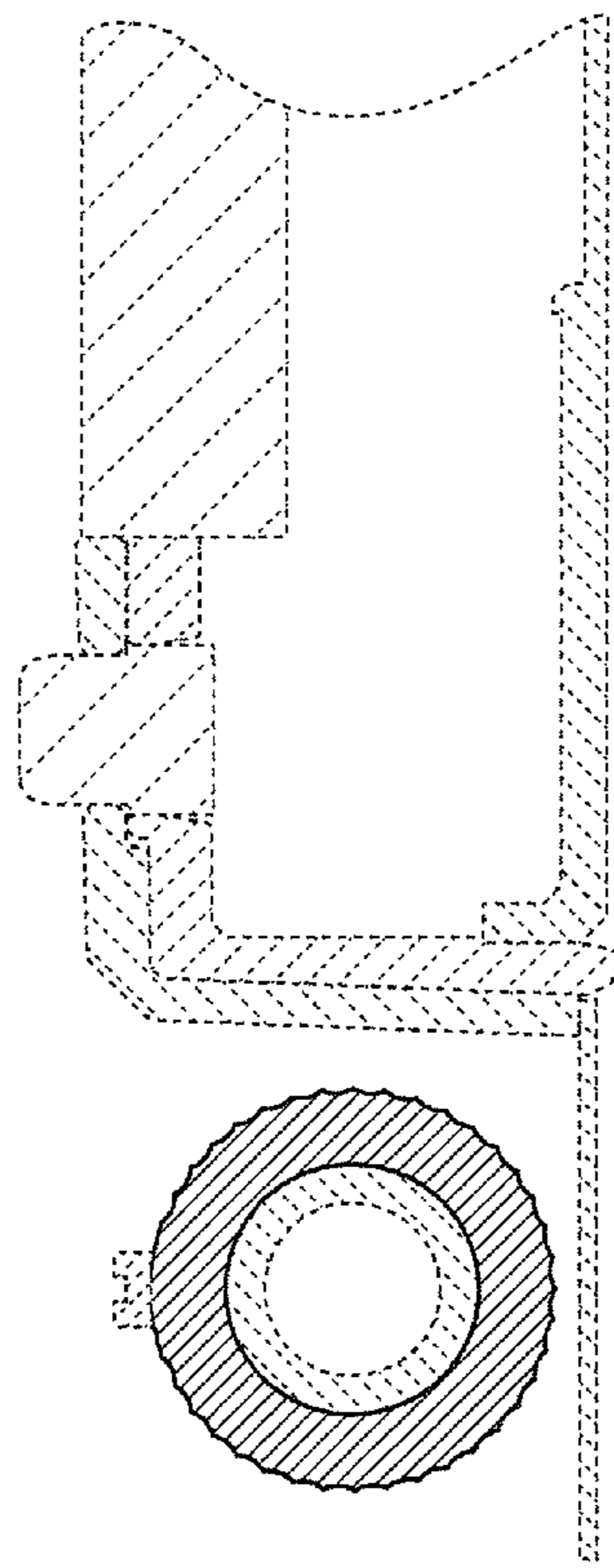


FIG. 10