



US00D669150S

(12) **United States Design Patent**
Mayberry et al.

(10) **Patent No.:** **US D669,150 S**

(45) **Date of Patent:** **** Oct. 16, 2012**

(54) **SLING ADAPTER**

(75) Inventors: **Michael T. Mayberry**, Denver, CO (US); **Richard Fitzpatrick**, Longmont, CO (US); **Brad Bennett**, Lafayette, CO (US); **Brian Nakayama**, Arvada, CO (US); **Nick Kielsmeier**, Thornton, CO (US); **Thomas Ward, Jr.**, Thornton, CO (US)

(73) Assignee: **Magpul Industries Corporation**, Erie, CO (US)

(**) Term: **14 Years**

(21) Appl. No.: **29/399,459**

(22) Filed: **Aug. 15, 2011**

(51) **LOC (9) Cl.** **22-01**

(52) **U.S. Cl.** **D22/108**

(58) **Field of Classification Search** D22/108,
D22/199; D8/367-368; D3/327-328; 224/913,
224/190, 157-160, 586, 575, 150, 149, 257,
224/258, 250, 85, 94

See application file for complete search history.

(56) **References Cited**

U.S. PATENT DOCUMENTS

6,598,330	B2	7/2003	Garrett et al.	
D508,726	S	8/2005	Storch	
D636,836	S	4/2011	Fitzpatrick et al.	
D644,706	S *	9/2011	Trusty	D22/108
2010/0287808	A1	11/2010	King	

OTHER PUBLICATIONS

Wilson Combat Picatinny Rail Sling Mounts, Online Catalog (2010), http://www.wilsoncombat.com/r_pr_slingmounts.asp.
Bravo Company USA Sling-Swivel-Mounts, Online Catalog (2010), <http://www.bravocompanyusa.com/Sling-Swivel-Mounts-s/63.htm>.

* cited by examiner

Primary Examiner — Michael A Pratt

(74) *Attorney, Agent, or Firm* — Swanson & Bratschun, L.L.C.

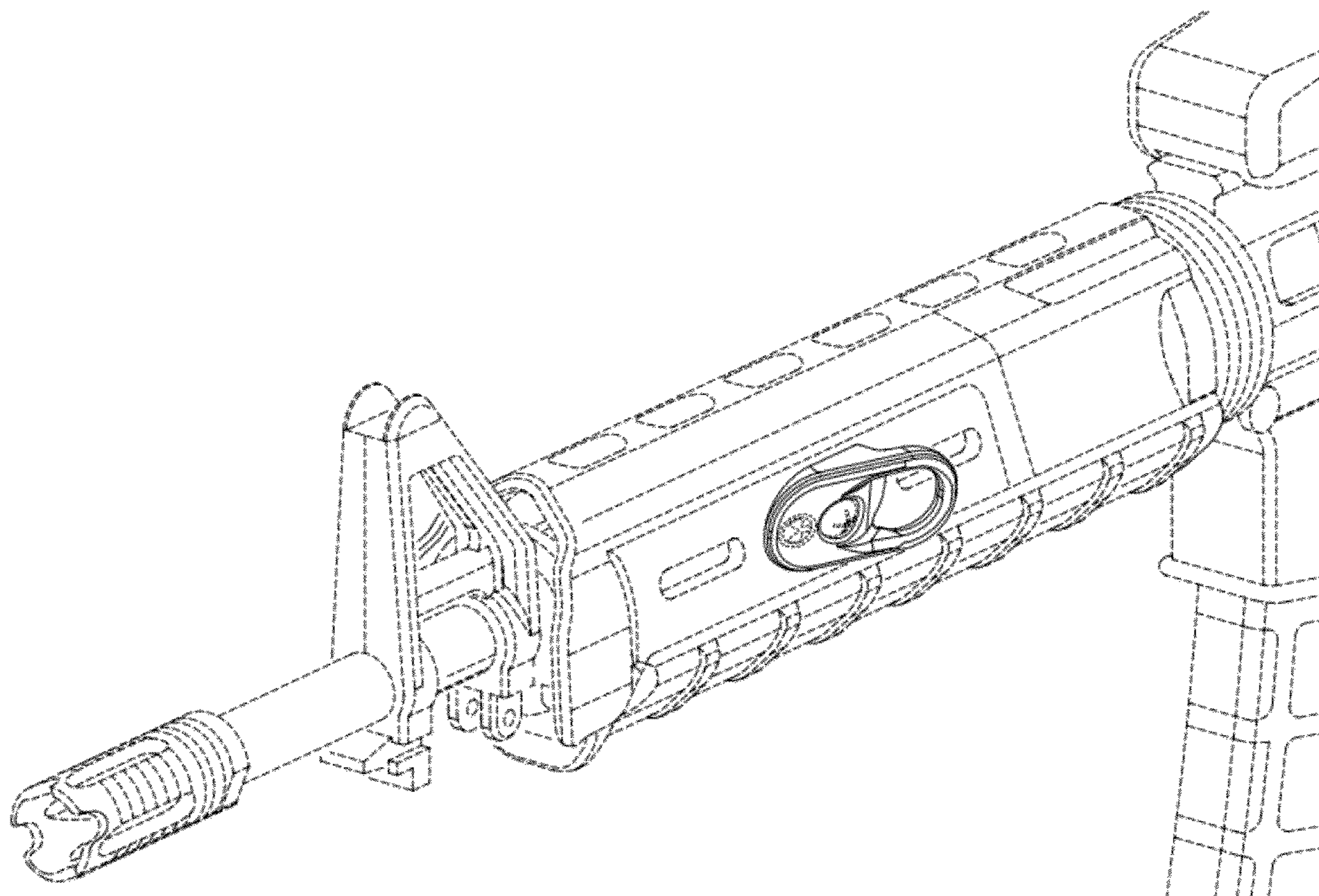
(57) **CLAIM**

The ornamental design for a sling adapter, as shown and described.

DESCRIPTION

FIG. 1 is a right, top, front perspective view of a sling adapter attached to a firearm showing my new design;
FIG. 2 is a left, front, top perspective view of the sling adapter of FIG. 1 with the firearm omitted;
FIG. 3 is a left side elevation view of the sling adapter of FIG. 1, the right side elevation being a mirror image;
FIG. 4 is a top plan view of the sling adapter of FIG. 1; and
FIG. 5 is a bottom plan view of the sling adapter of FIG. 1.
FIG. 6 is a front elevation view of the sling adapter of FIG. 1; and,
FIG. 7 is a rear elevation view of the sling adapter of FIG. 1.
The broken lines showing portions of the design in all figures is included for the purpose of illustrating environment and unclaimed features and forms not part of the claimed design.

1 Claim, 4 Drawing Sheets



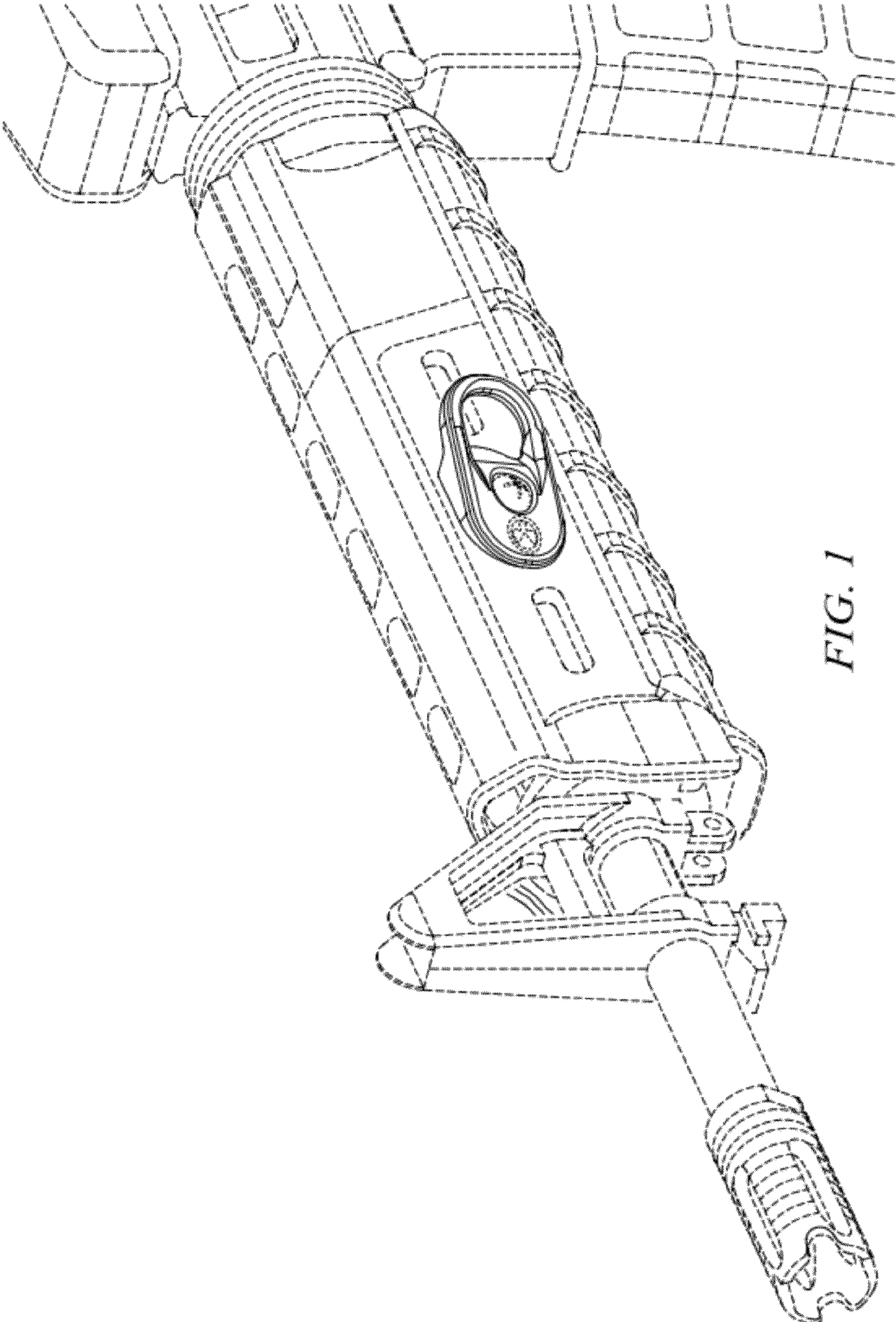


FIG. 1

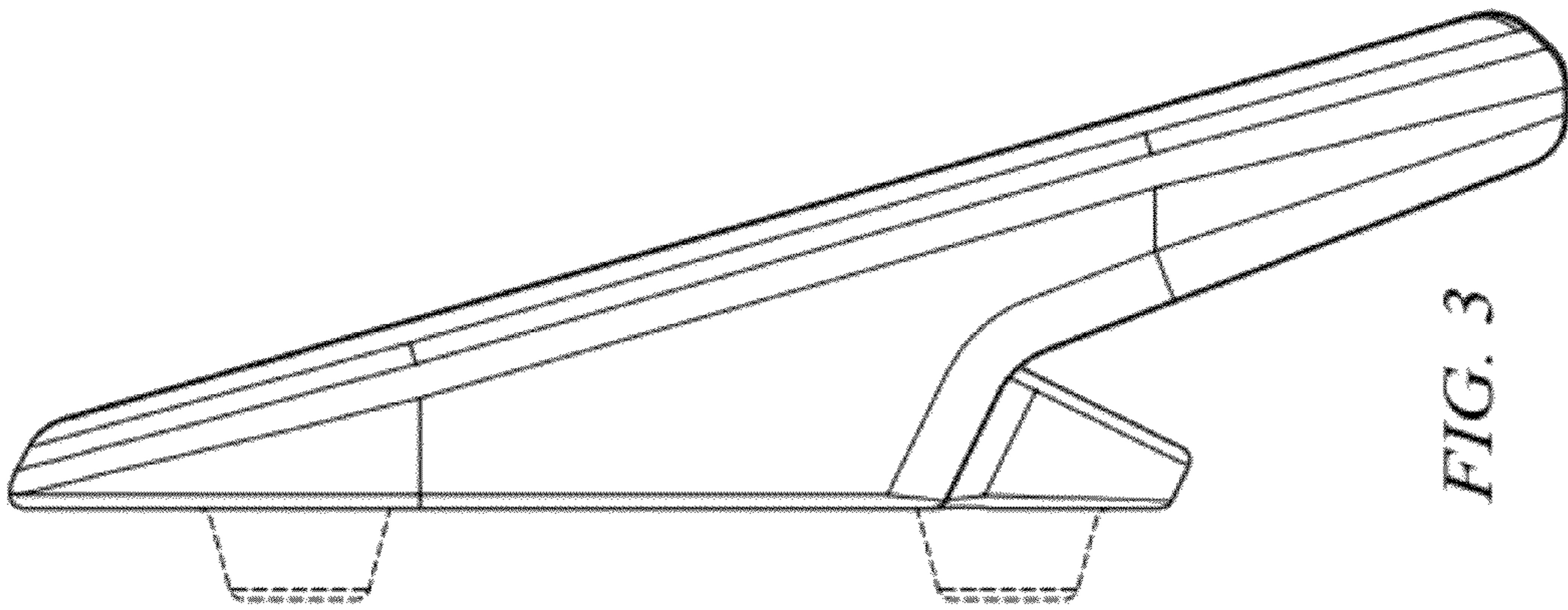


FIG. 3

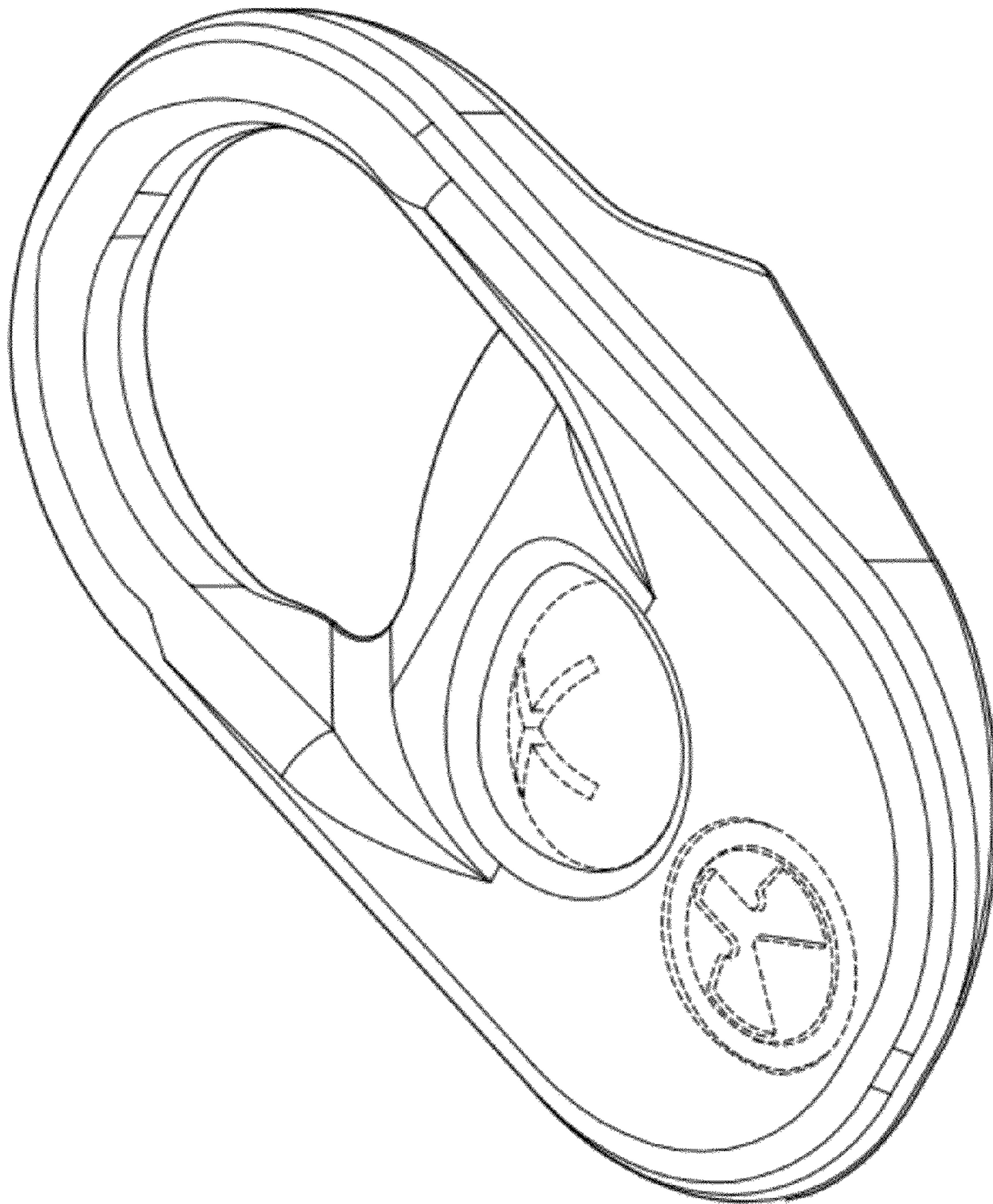


FIG. 2

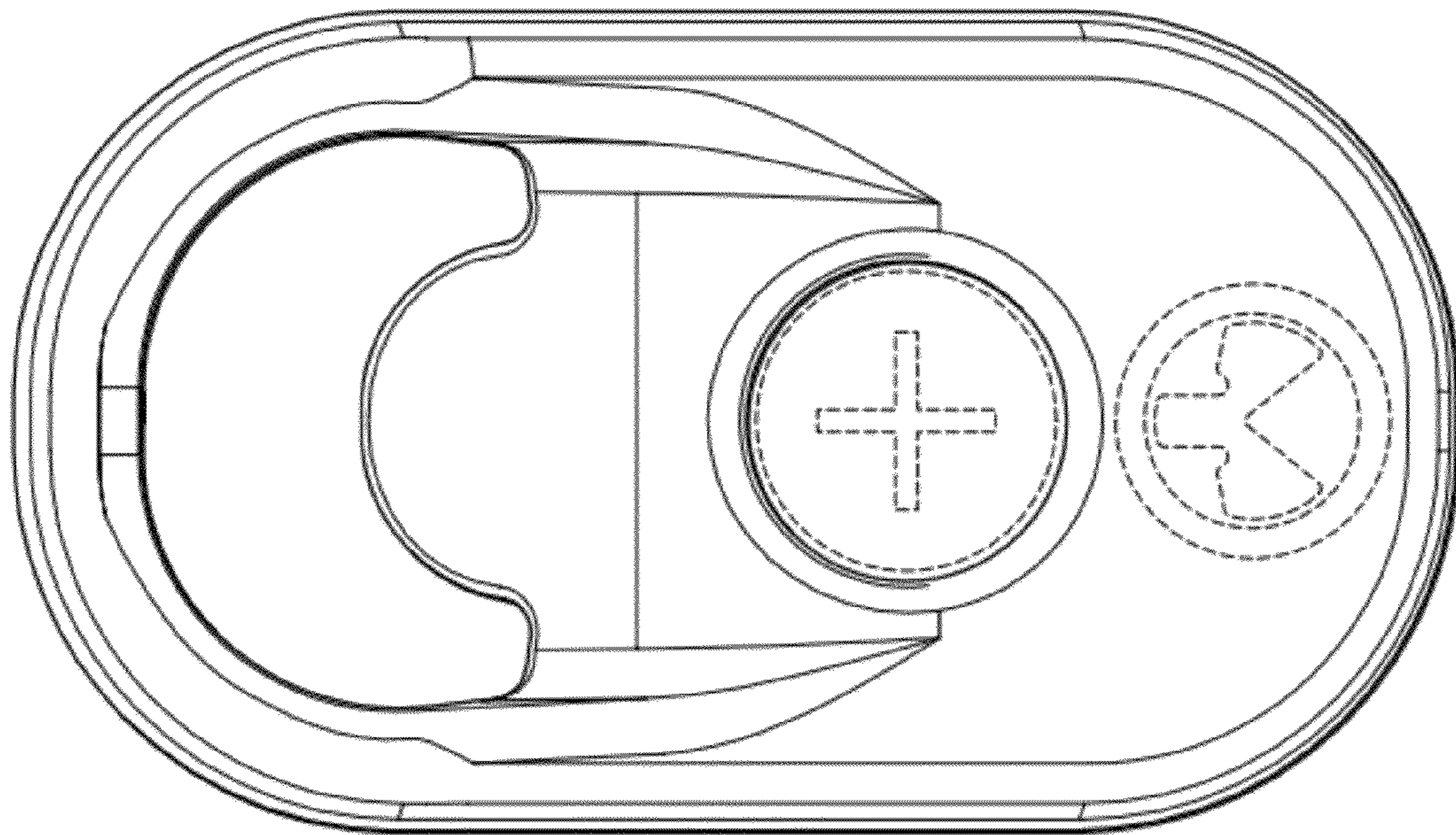


FIG. 4

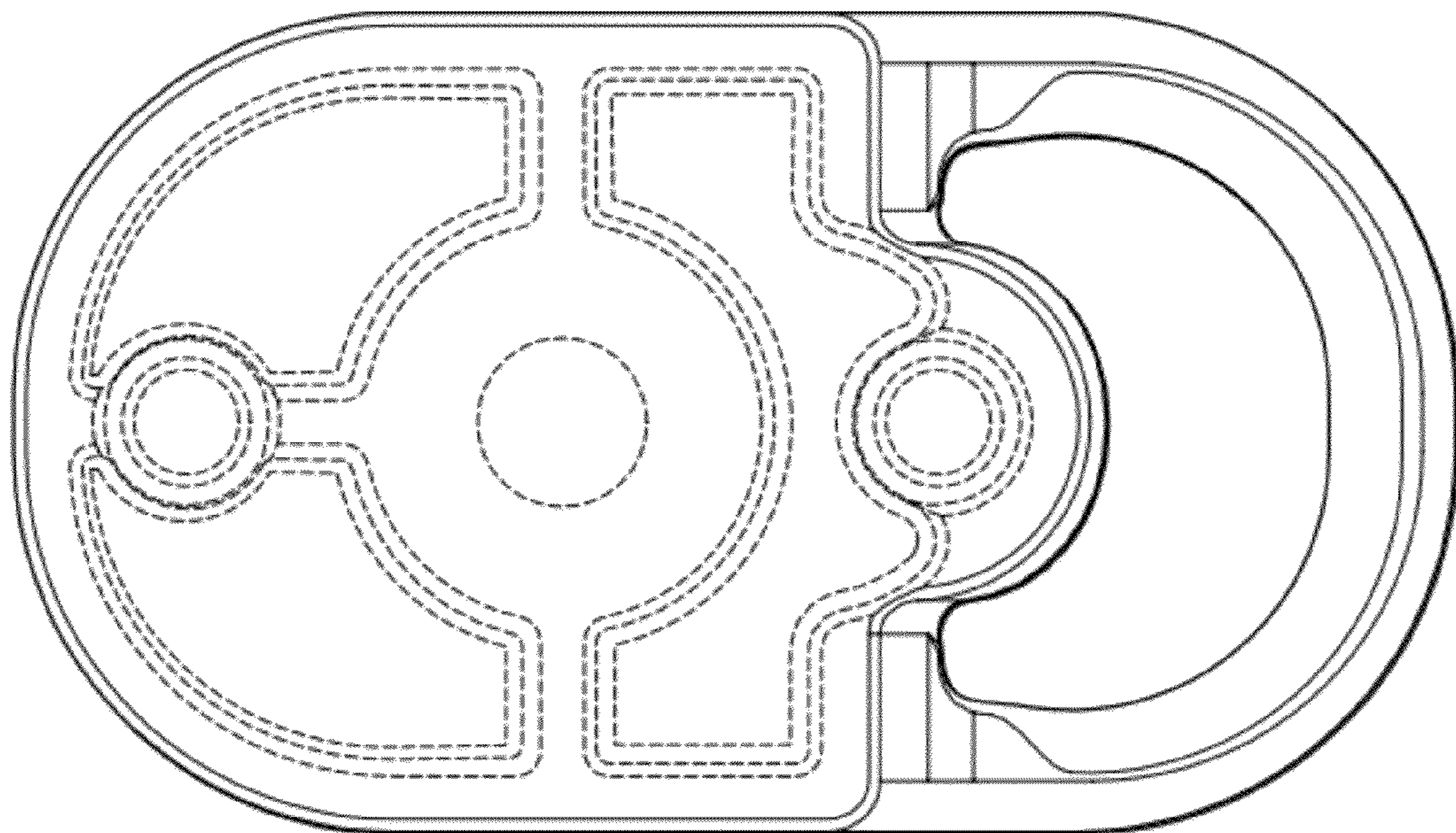


FIG. 5

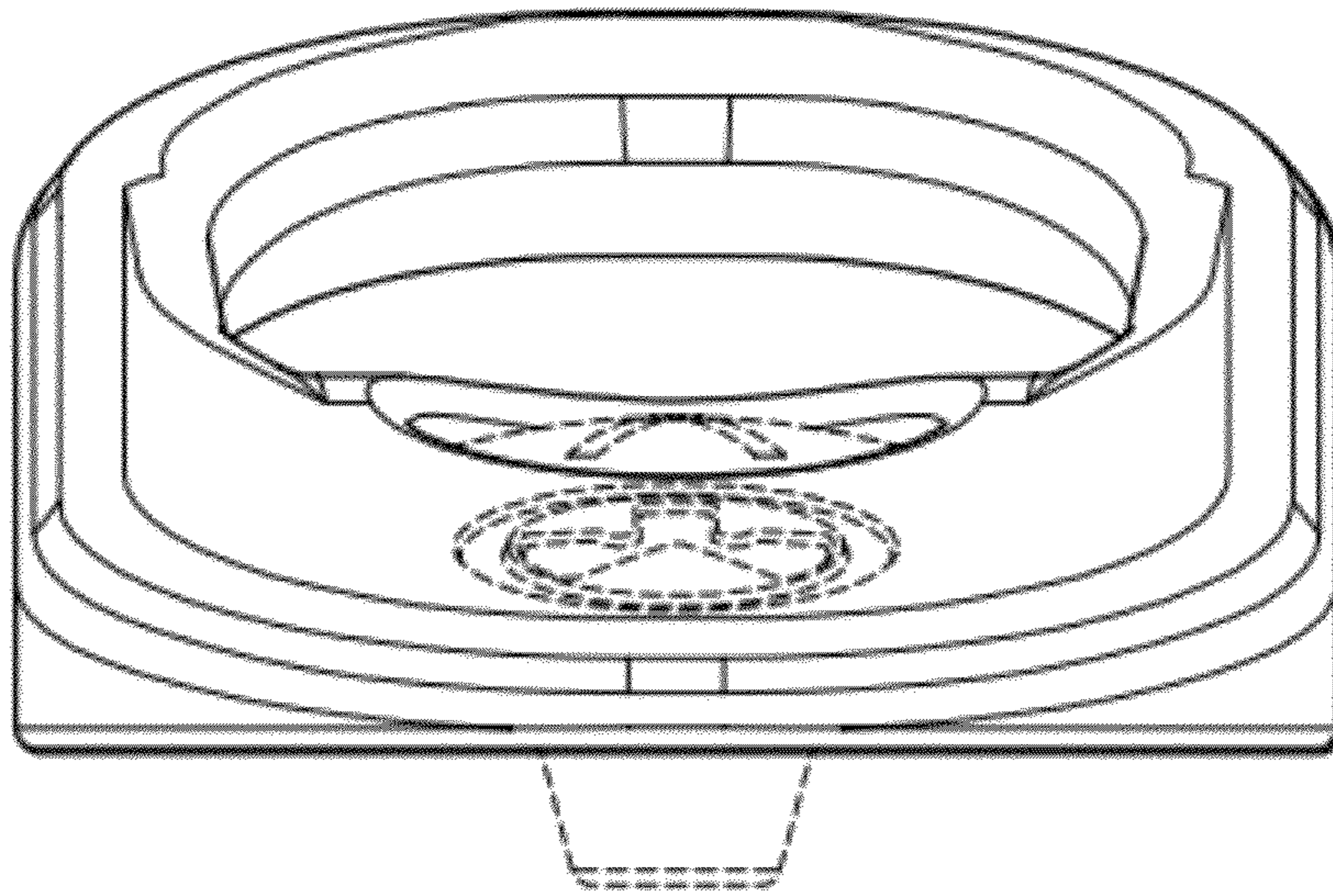


FIG. 6

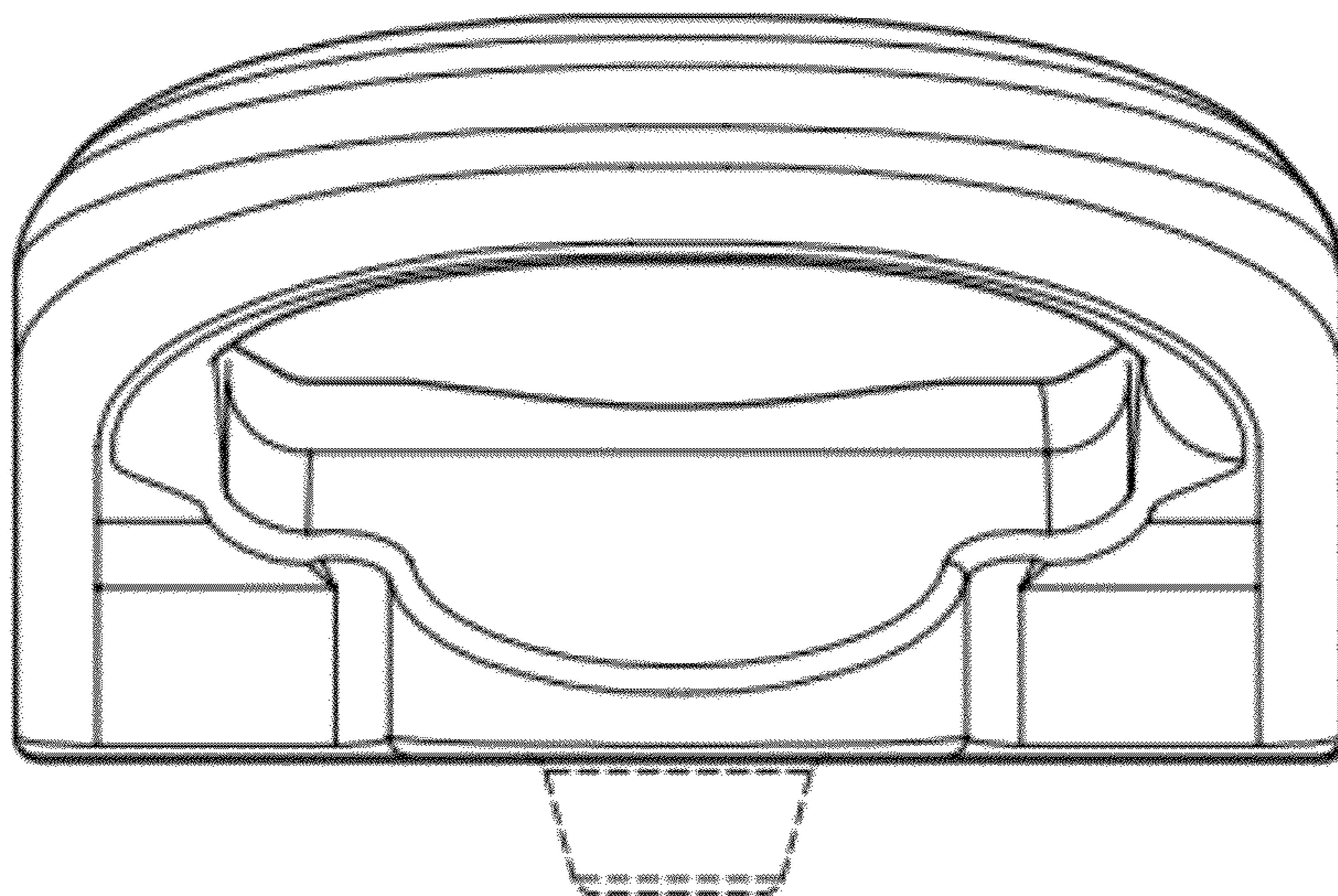


FIG. 7