



US00D669149S

(12) **United States Design Patent**  
**Trusty**

(10) **Patent No.:** **US D669,149 S**  
(45) **Date of Patent:** **\*\* Oct. 16, 2012**

(54) **SCOUT MOUNT**

(76) Inventor: **Jason G. Trusty**, Portage, IN (US)

(\*\*) Term: **14 Years**

(21) Appl. No.: **29/398,785**

(22) Filed: **Aug. 4, 2011**

(51) **LOC (9) Cl.** ..... **22-01**

(52) **U.S. Cl.** ..... **D22/108**

(58) **Field of Classification Search** ..... D22/100,  
D22/101, 103, 104, 108, 199; D21/572,  
D21/573; 42/51, 71.01, 75.01, 75.02, 90,  
42/94, 134, 136, 139, 125, 72, 111; 362/110;  
89/40.06, 41.19, 37.04, 33.04, 191.01, 200-204;  
124/67, 66, 72, 74

See application file for complete search history.

(56) **References Cited**

**U.S. PATENT DOCUMENTS**

2,202,000	A *	5/1940	Gray	42/124
2,624,946	A *	1/1953	Miller	42/127
3,491,975	A *	1/1970	Weaver	42/124
3,579,840	A *	5/1971	Heinzel	42/127
3,985,462	A *	10/1976	Didato	408/72 R
5,694,712	A *	12/1997	Plonka	42/124
D391,335	S *	2/1998	Bechtel	D22/110
D429,790	S *	8/2000	Plonka	D22/110
D453,545	S *	2/2002	Plonka	D22/110
D477,650	S *	7/2003	Rubin et al.	D22/110
D632,753	S *	2/2011	Leighton et al.	D22/109

D644,706	S *	9/2011	Trusty	D22/108
D652,470	S *	1/2012	Trusty	D22/108
D652,887	S *	1/2012	Trusty	D22/108
D655,776	S *	3/2012	Trusty	D22/108
2007/0289192	A1 *	12/2007	Whaley	42/90

\* cited by examiner

*Primary Examiner* — Michael A Pratt

(74) *Attorney, Agent, or Firm* — Carlson, Gaskey & Olds PC

(57) **CLAIM**

I claim the ornamental design for the scout mount for a firearm, as shown and described.

**DESCRIPTION**

FIG. 1 is a perspective view of a scout mount mounted to a firearm;

FIG. 2 is a first perspective view of a scout mount for a firearm;

FIG. 3 is a top view of a scout mount for a firearm;

FIG. 4 is a first side view of a scout mount for a firearm;

FIG. 5 is a second side view of a scout mount for a firearm;

FIG. 6 is a first end view of a scout mount for a firearm;

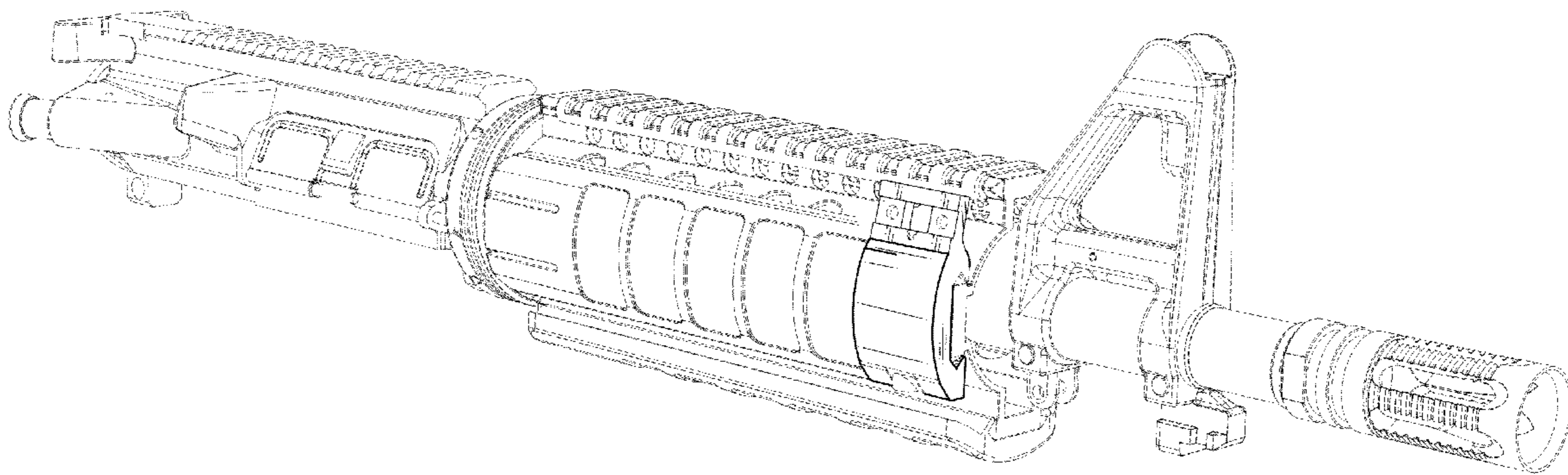
FIG. 7 is a second end view of a scout mount for a firearm;

and,

FIG. 8 is a bottom view of a scout mount for a firearm.

The broken line showing portions of the scout mount for a firearm is included for the purpose of illustrating environment and forms no part of the claimed design.

**1 Claim, 2 Drawing Sheets**



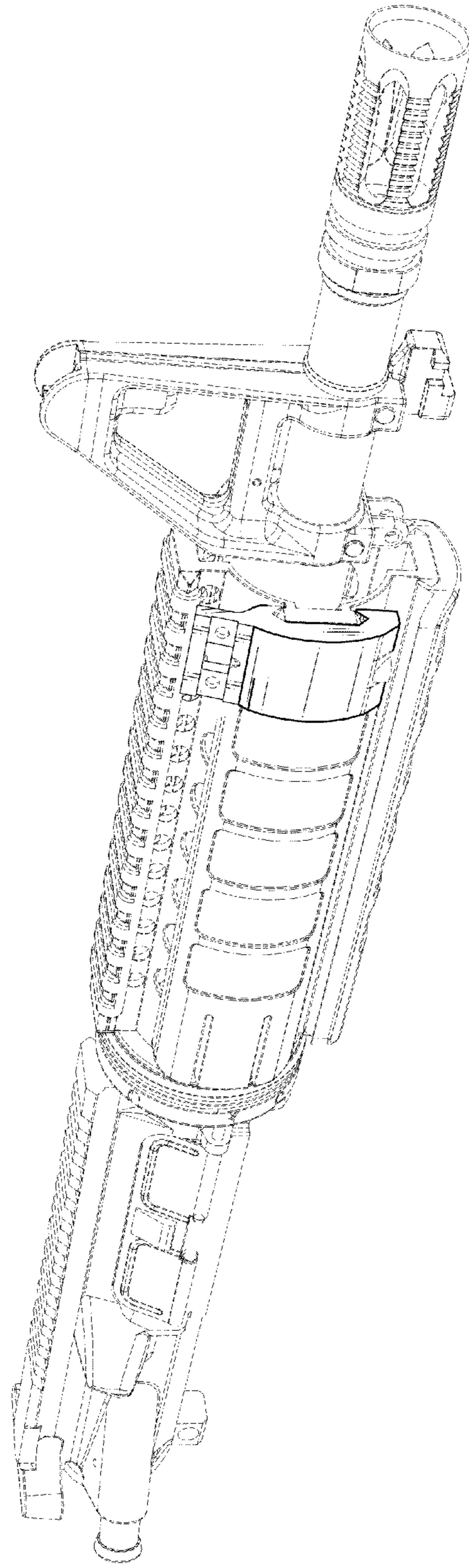


FIG.1

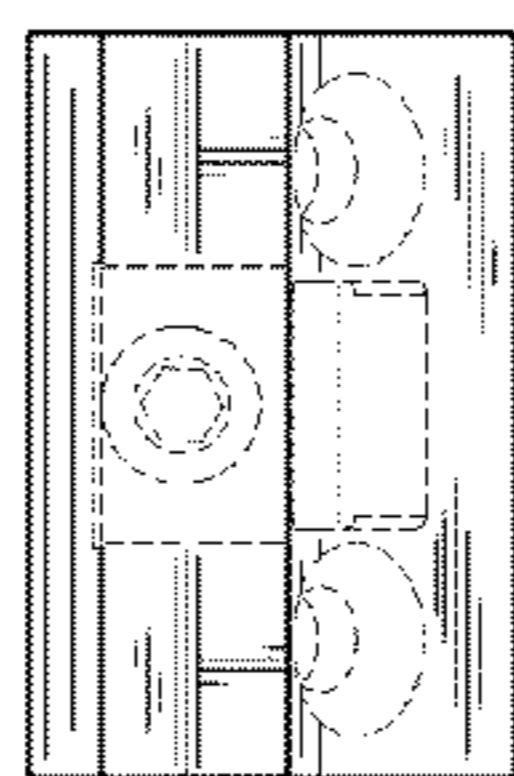
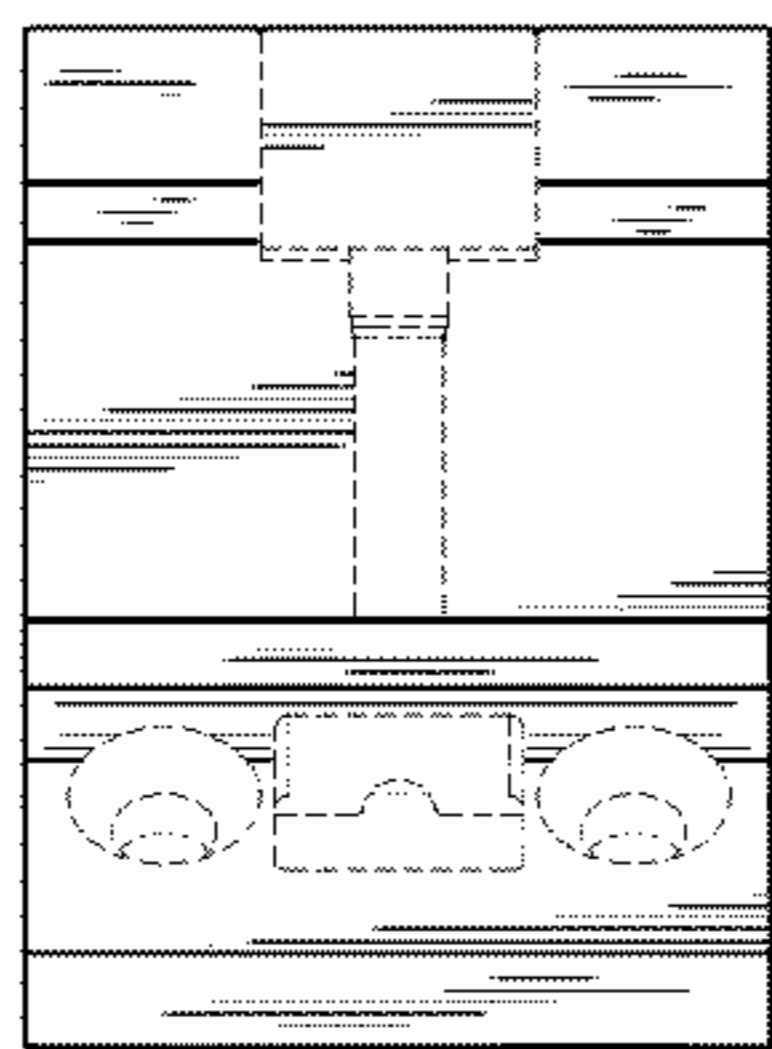
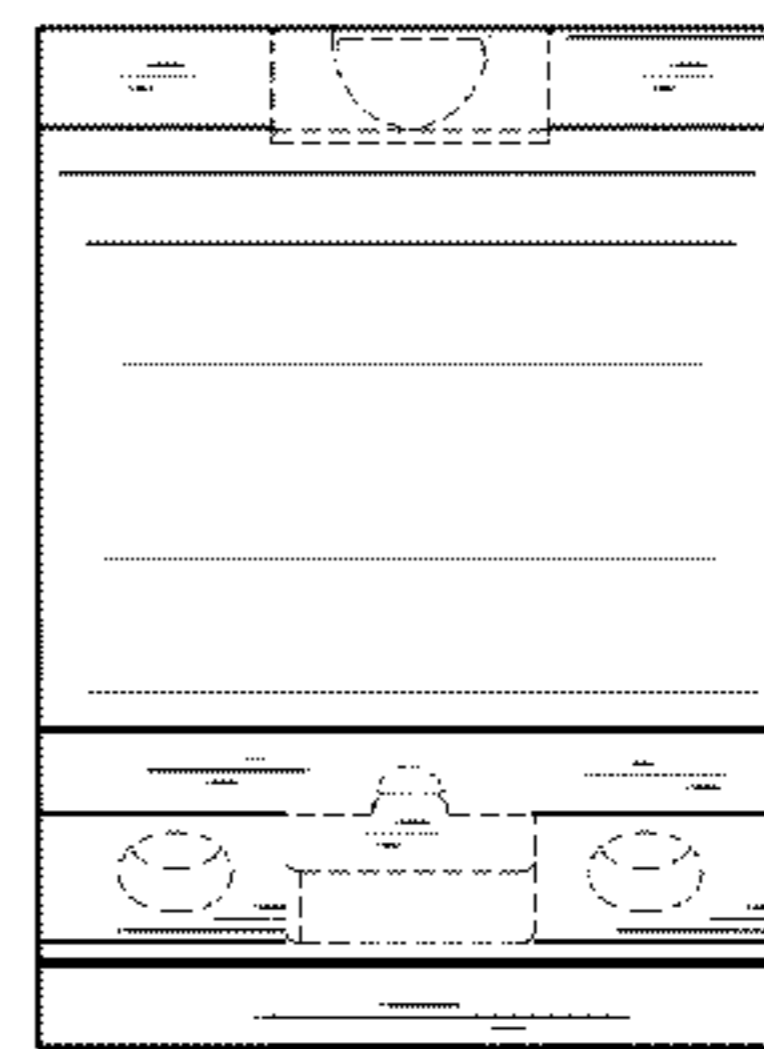
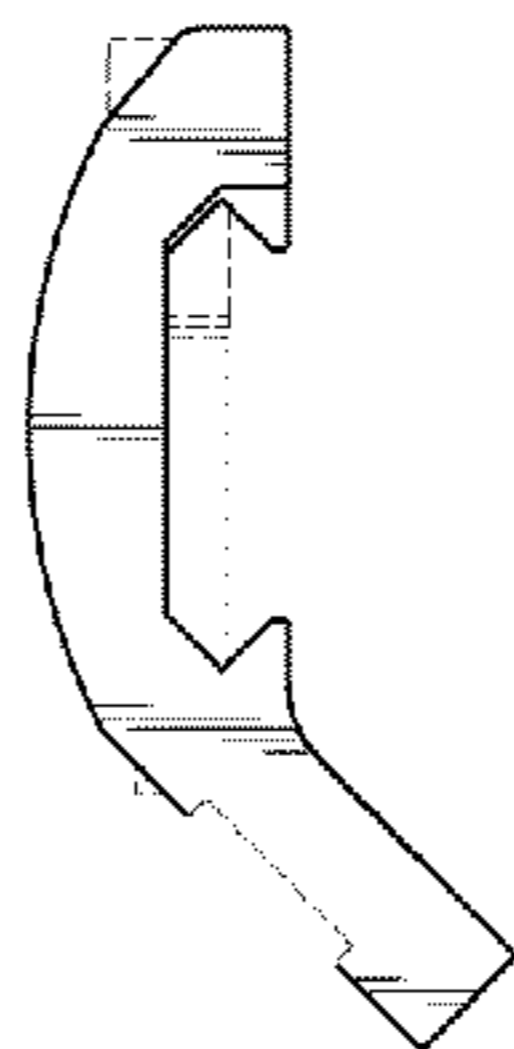
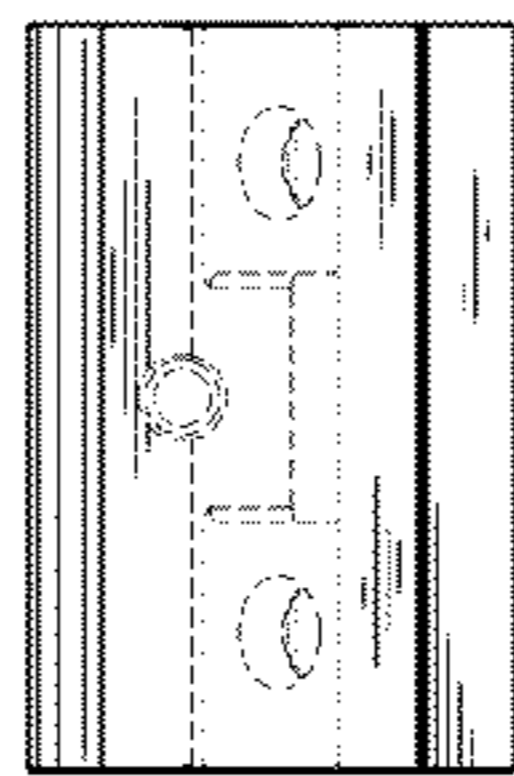
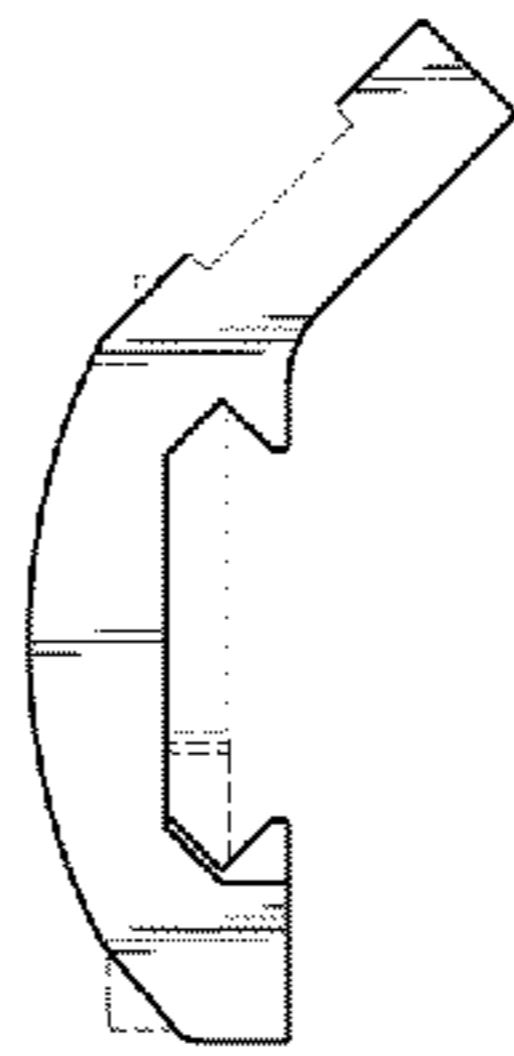
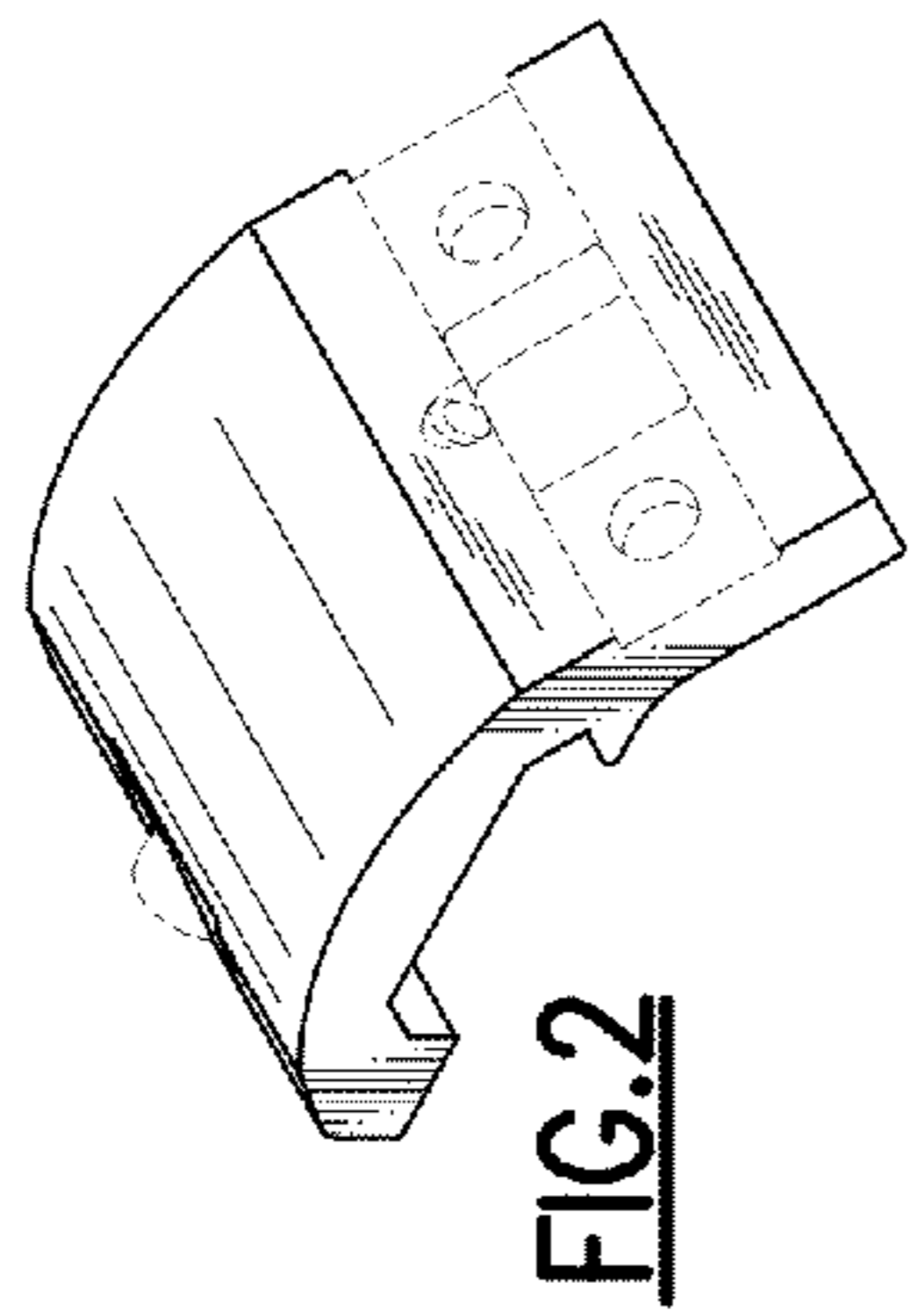


FIG. 7

FIG. 5

FIG. 6

FIG. 3

FIG. 2

FIG. 8

FIG. 4