

US00D669147S

(12) **United States Design Patent**
Solah

(10) **Patent No.:** **US D669,147 S**
(45) **Date of Patent:** **** Oct. 16, 2012**

(54) **BOXING SIMULATING EXERCISER**

(76) Inventor: **Saadin B. Solah**, Cumbaya (EC)

(**) Term: **14 Years**

(21) Appl. No.: **29/400,215**

(22) Filed: **Aug. 24, 2011**

(51) **LOC (9) Cl.** **21-02**

(52) **U.S. Cl.** **D21/787; D21/798**

(58) **Field of Classification Search** D21/662,
D21/677, 686, 691, 694, 698, 780, 781, 787,
D21/788, 797, 798; 482/83-90, 92, 110,
482/121, 122, 128, 129, 138, 139, 148, 908;
473/422, 438, 441-445

See application file for complete search history.

(56) **References Cited**

U.S. PATENT DOCUMENTS

D339,835	S *	9/1993	Hsieh	D21/691
5,282,615	A *	2/1994	Green et al.	473/418
D356,127	S *	3/1995	Mara	D21/798
5,476,433	A *	12/1995	Bruner	482/87
5,688,212	A *	11/1997	Walker	482/83
D389,204	S *	1/1998	Bates, II	D21/686
6,241,640	B1 *	6/2001	Chu	482/83
7,329,210	B1 *	2/2008	Marano	482/83
7,922,628	B2 *	4/2011	Gonzalez	482/90

7,927,261	B2 *	4/2011	Fisher	482/93
7,959,501	B2 *	6/2011	Harmon et al.	463/4
7,981,009	B2 *	7/2011	Brenner et al.	482/83
8,079,938	B2 *	12/2011	Jones et al.	482/8
2011/0059827	A1 *	3/2011	Fazio	482/83
2011/0195822	A1 *	8/2011	Donofrio	482/93

FOREIGN PATENT DOCUMENTS

RU 00038147 * 1/1994

* cited by examiner

Primary Examiner — Catherine Tuttle

(74) *Attorney, Agent, or Firm* — Edward J. Chalfie

(57) **CLAIM**

The ornamental design for a boxing simulating exerciser, substantially as shown and described.

DESCRIPTION

FIG. 1 is a perspective view of a boxing simulating exerciser showing my new design.

FIG. 2 is a front view thereof;

FIG. 3 is a right side view thereof;

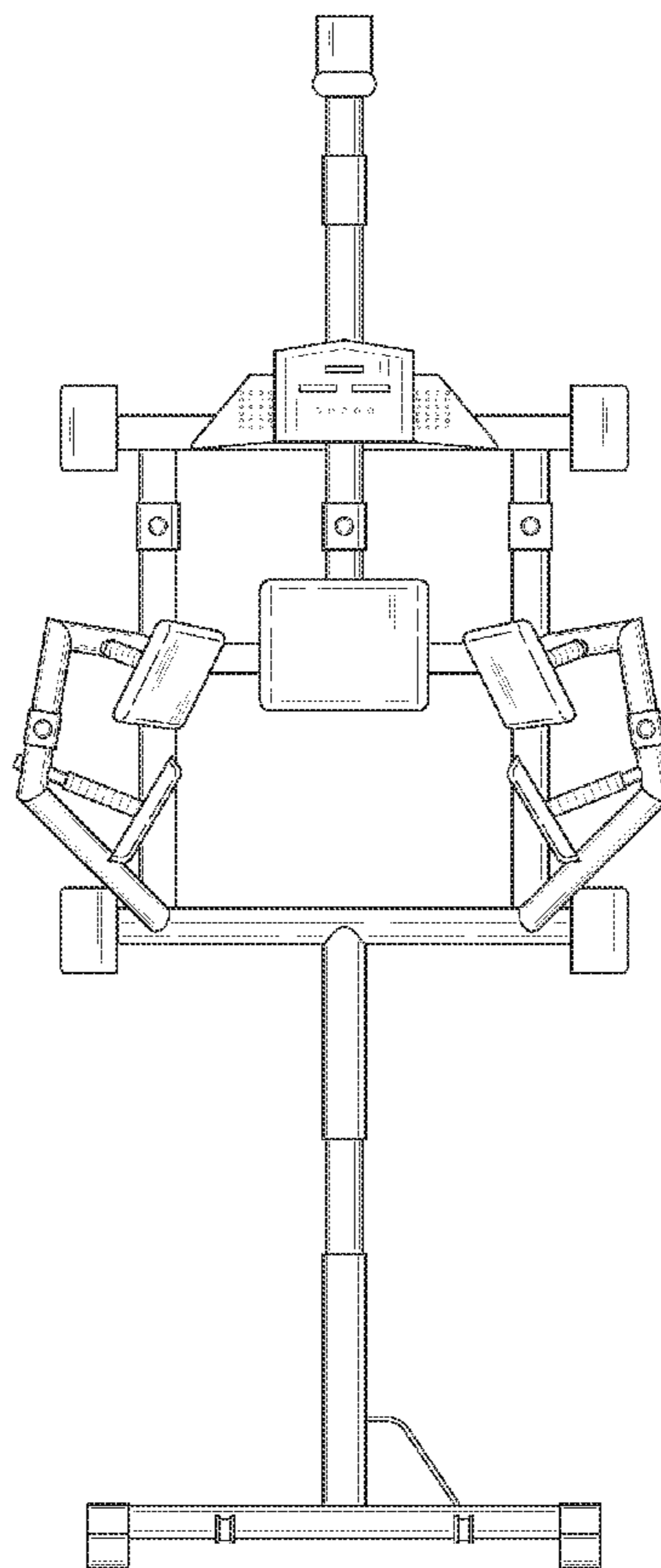
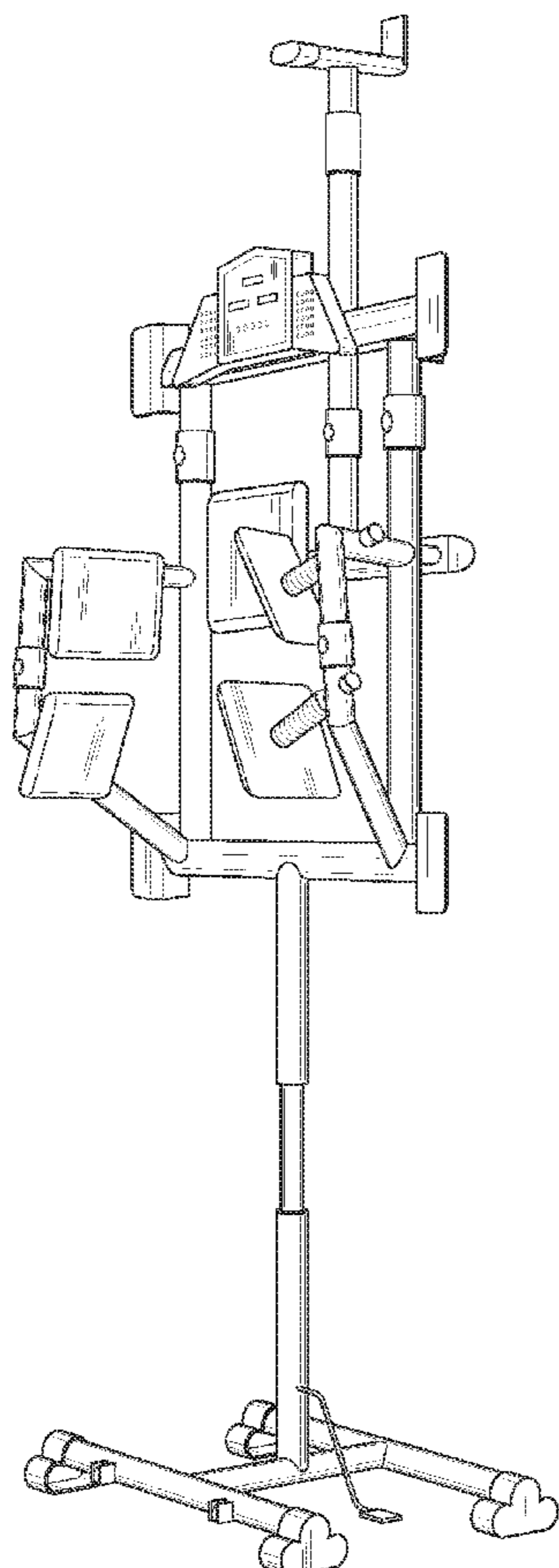
FIG. 4 is a rear view thereof;

FIG. 5 is a left side view thereof;

FIG. 6 is a top plan view thereof; and,

FIG. 7 is a bottom plan view thereof.

1 Claim, 4 Drawing Sheets



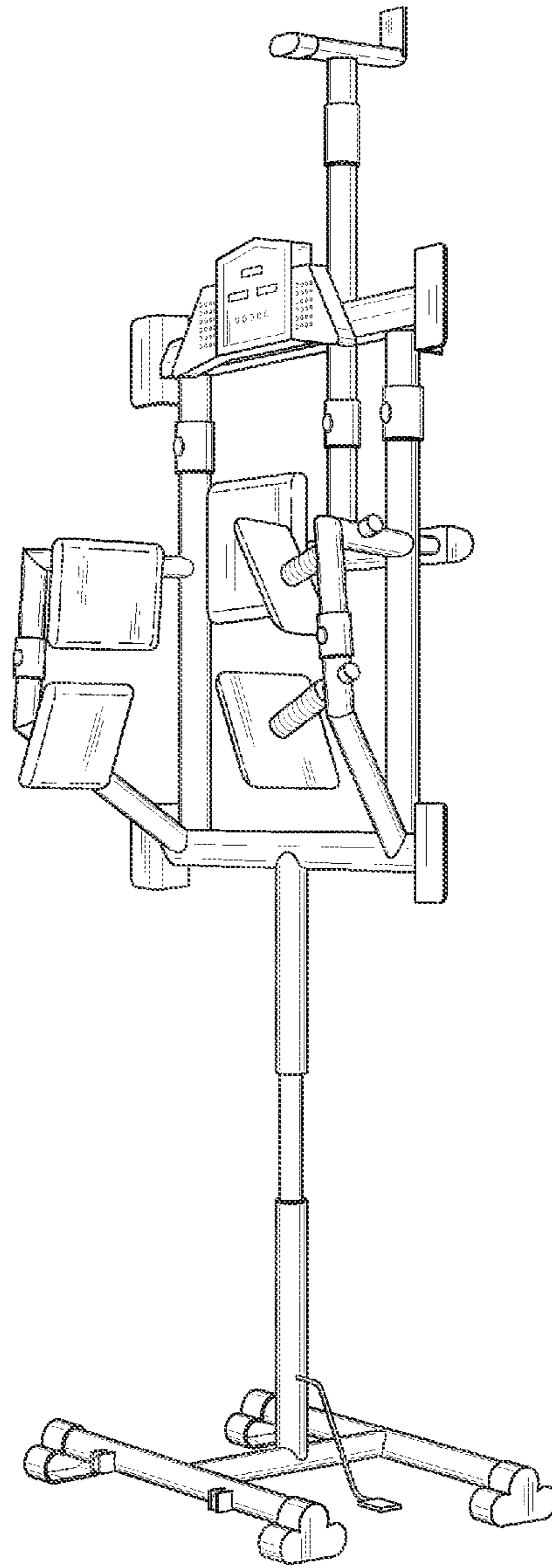


FIG. 1

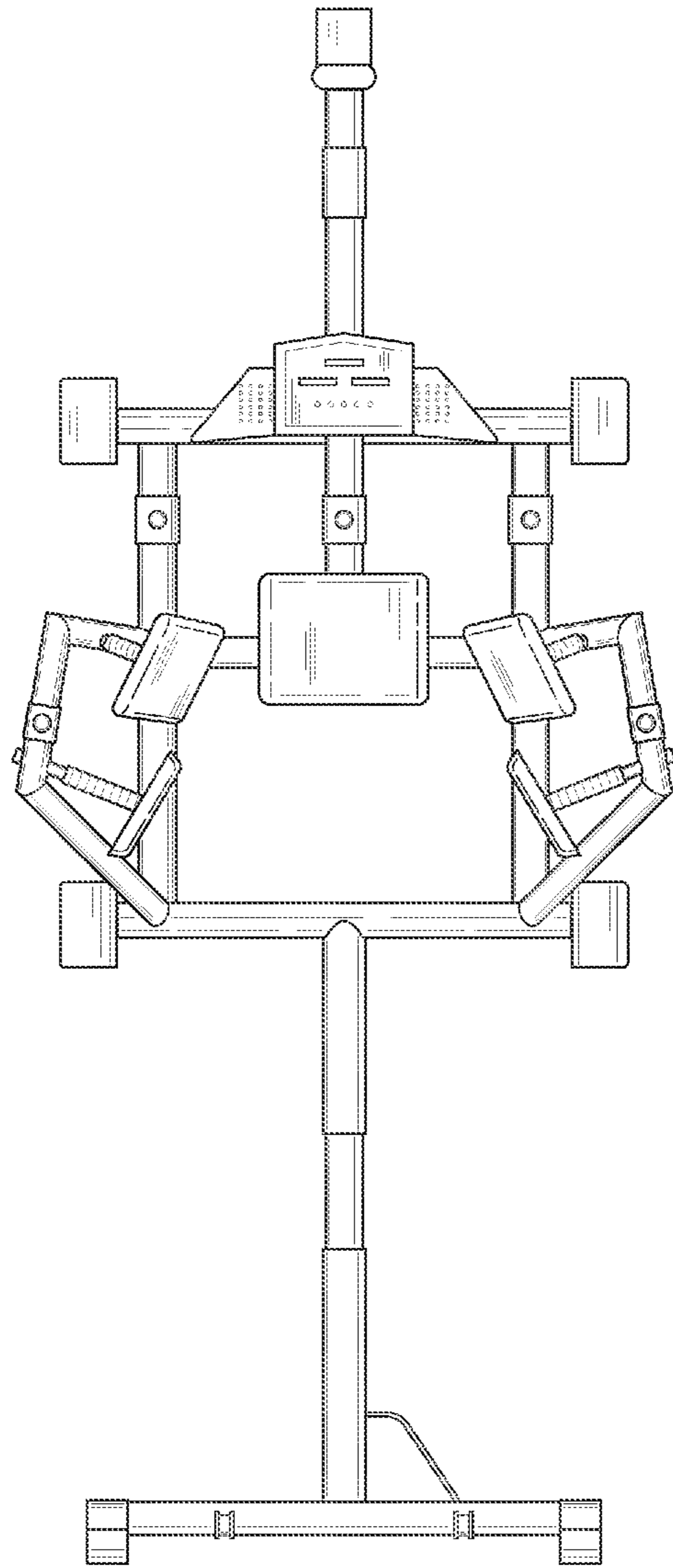


FIG. 2

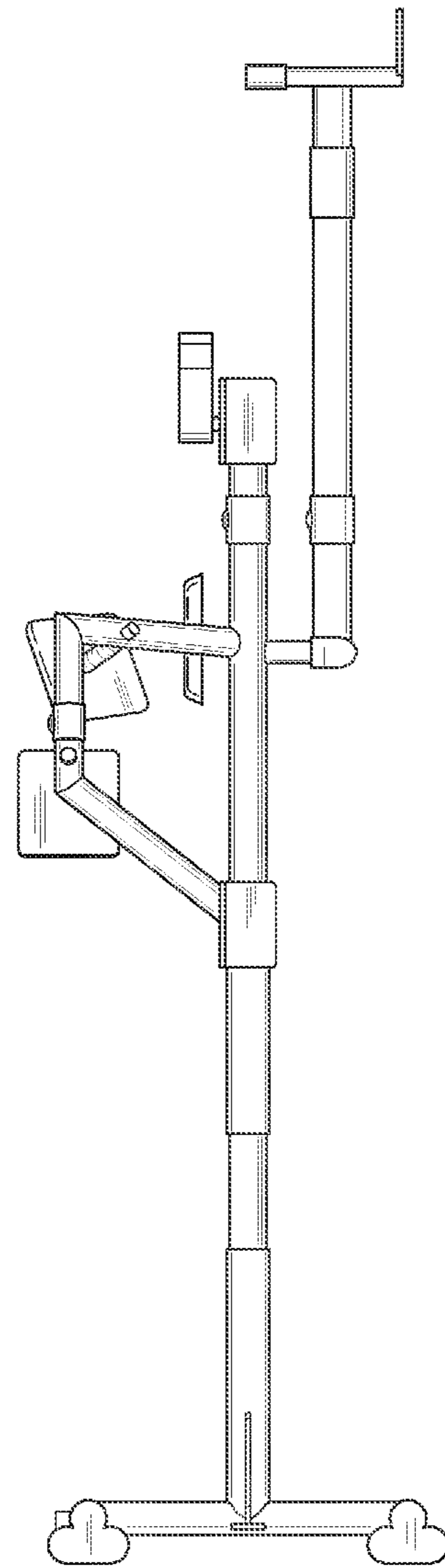


FIG. 3

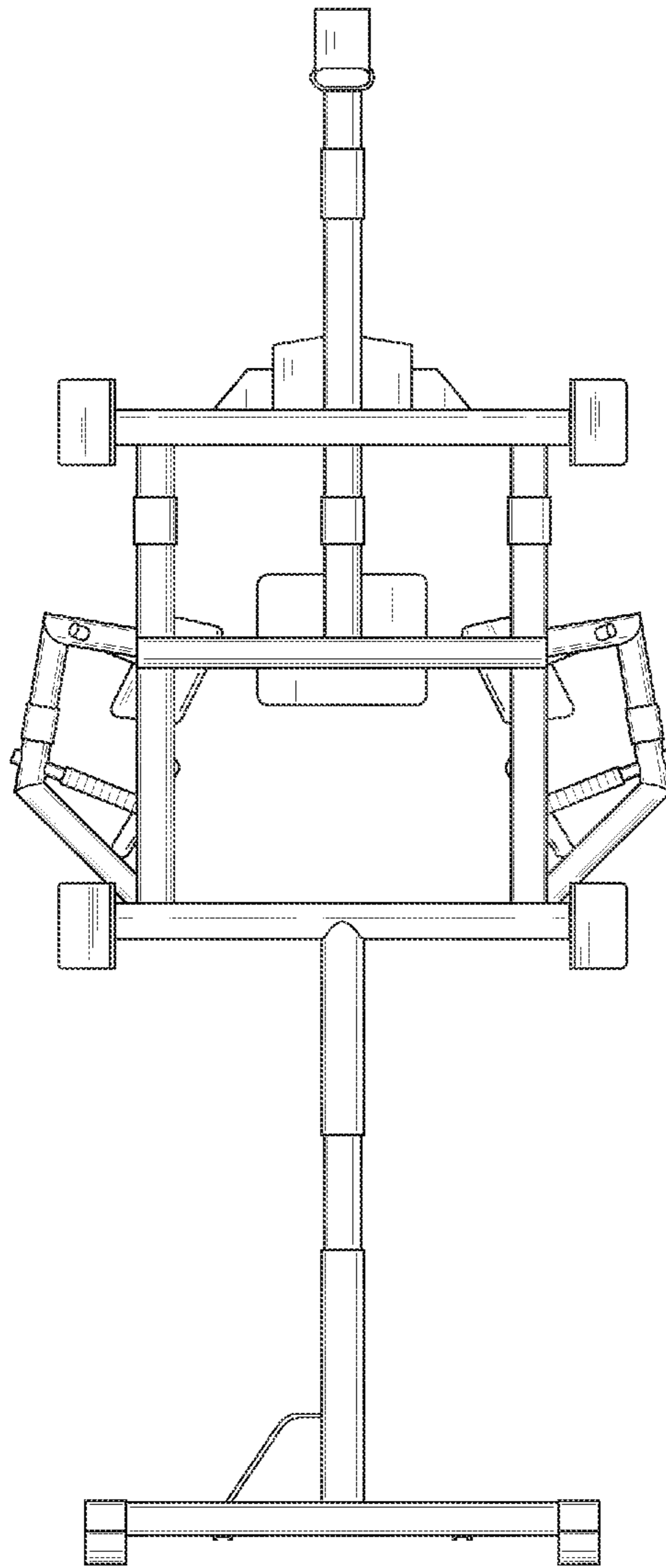


FIG. 4

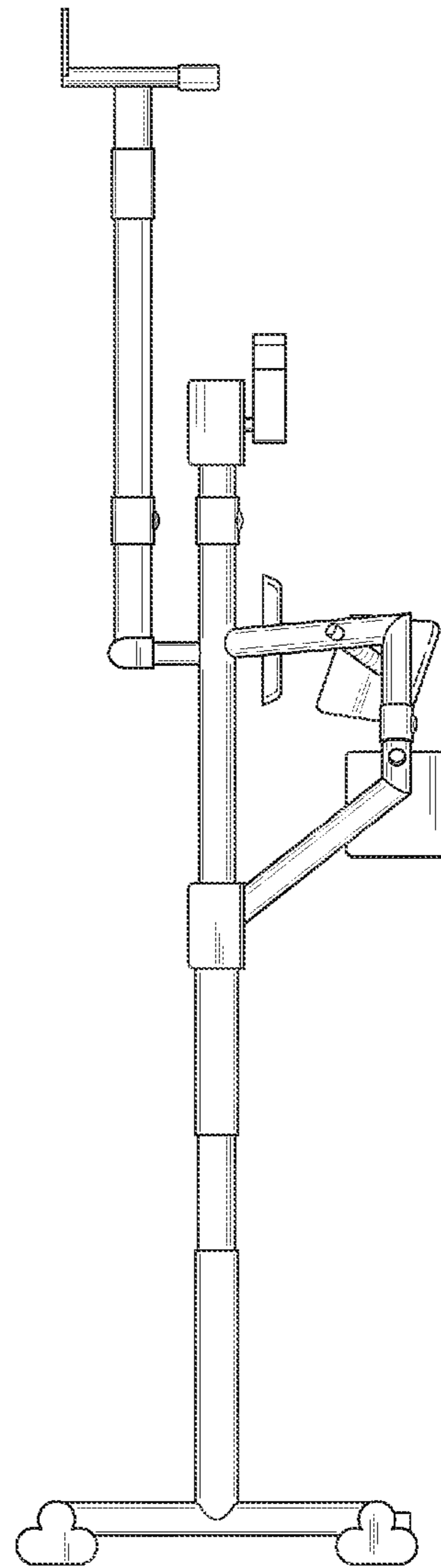


FIG. 5

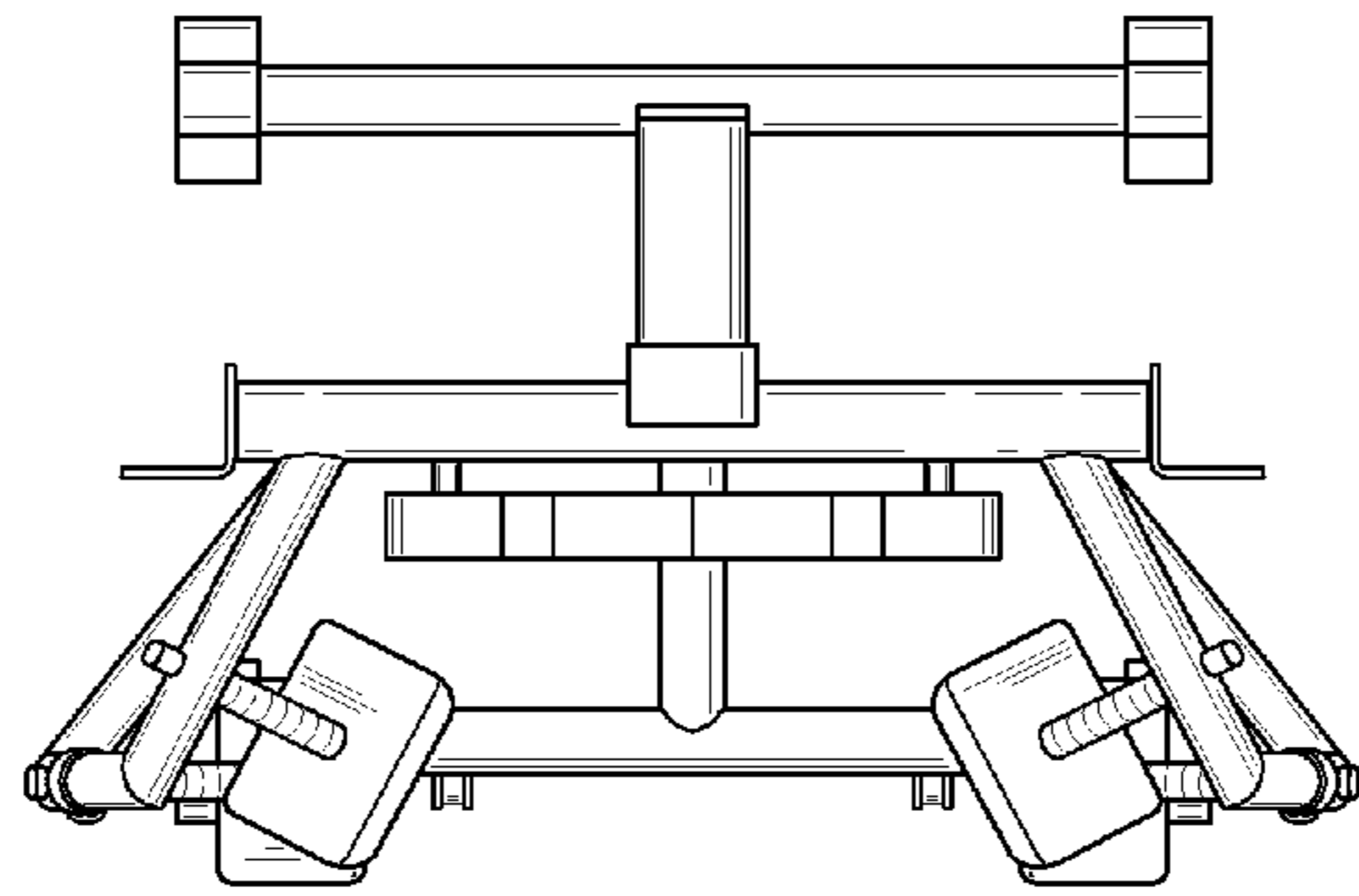


FIG. 6

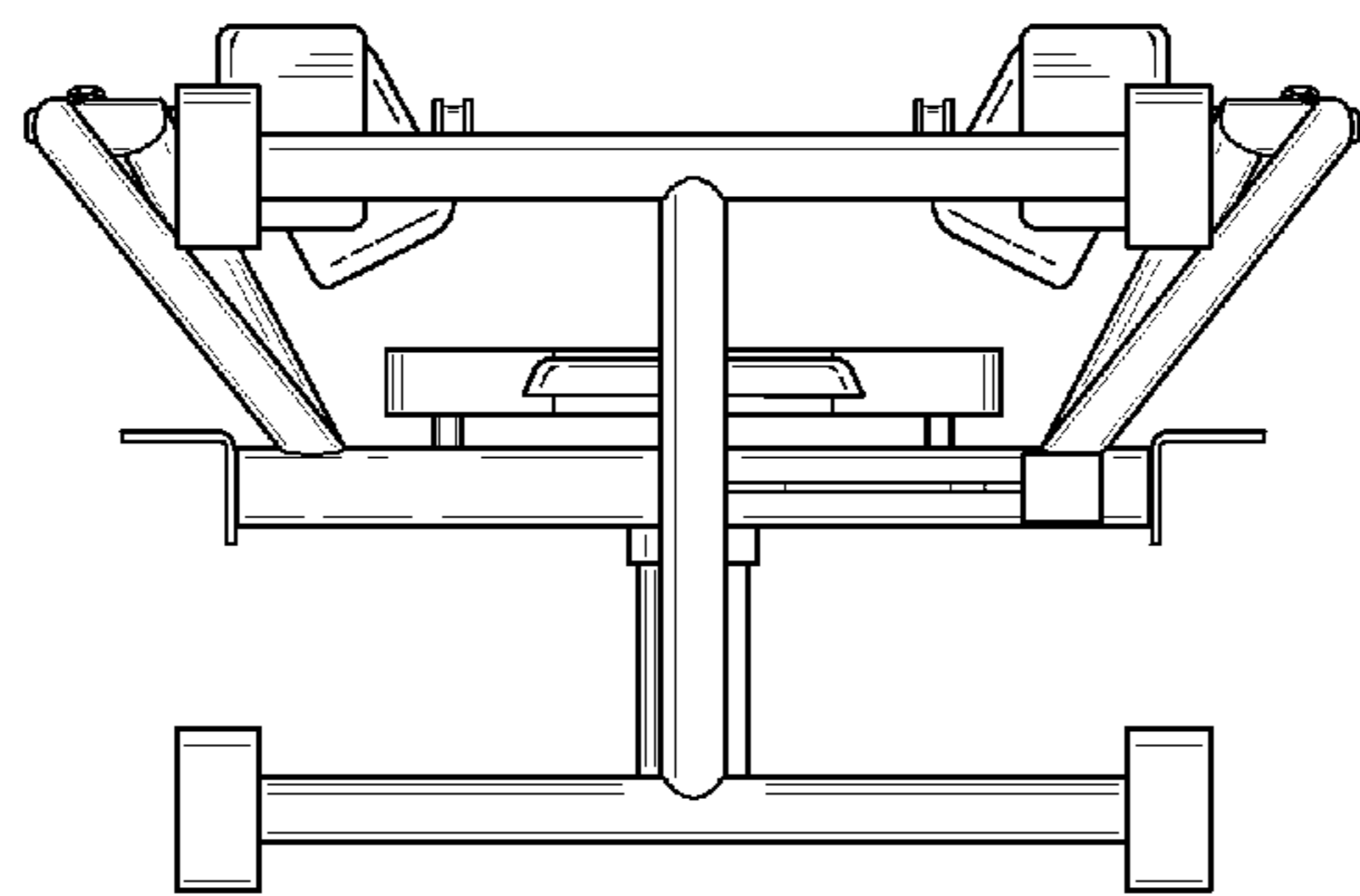


FIG. 7