

US00D669145S

(12) **United States Design Patent**
Roland

(10) **Patent No.:** **US D669,145 S**

(45) **Date of Patent:** **** Oct. 16, 2012**

(54) **PUTTER HEAD**

D565,138 S * 3/2008 Wilson D21/743
D621,458 S * 8/2010 Serrano et al. D21/736

(75) Inventor: **Daniel R. Roland**, Spring Valley, NY
(US)

* cited by examiner

(73) Assignee: **Sniper Putters, Inc.**

Primary Examiner — Mitchell Siegel

(74) *Attorney, Agent, or Firm* — Michael E. Zall

(**) Term: **14 Years**

(57) **CLAIM**

The ornamental design for a putter head, as shown and described.

(21) Appl. No.: **29/401,340**

DESCRIPTION

(22) Filed: **Sep. 10, 2011**

(51) **LOC (9) Cl.** **21-02**

(52) **U.S. Cl.** **D21/736**

(58) **Field of Classification Search** D21/736-746;
473/324-331, 340-341, 251-256

See application file for complete search history.

FIG. 1 is a perspective view of my putter head embodying my new design:

FIG. 2 is a rear view thereof;

FIG. 3 is a front view thereof;

FIG. 3 is a right side view thereof;

FIG. 5 is a left side view thereof;

FIG. 6 is a top view thereof;

FIG. 7 is a bottom view thereof; and,

FIG. 8 is a perspective view of my putter head embodying my new design with another shaft configuration, which form no part of the claimed design.

The broken lines in the figures depict environmental subject matter only and forms no part of the claimed design.

(56) **References Cited**

U.S. PATENT DOCUMENTS

4,871,174	A	*	10/1989	Kobayashi	473/252
D323,867	S	*	2/1992	Rizzotto	D21/740
D355,462	S	*	2/1995	Wyatt	D21/741
D366,081	S	*	1/1996	Patten	D21/743
D505,702	S	*	5/2005	Wood	D21/736

1 Claim, 5 Drawing Sheets

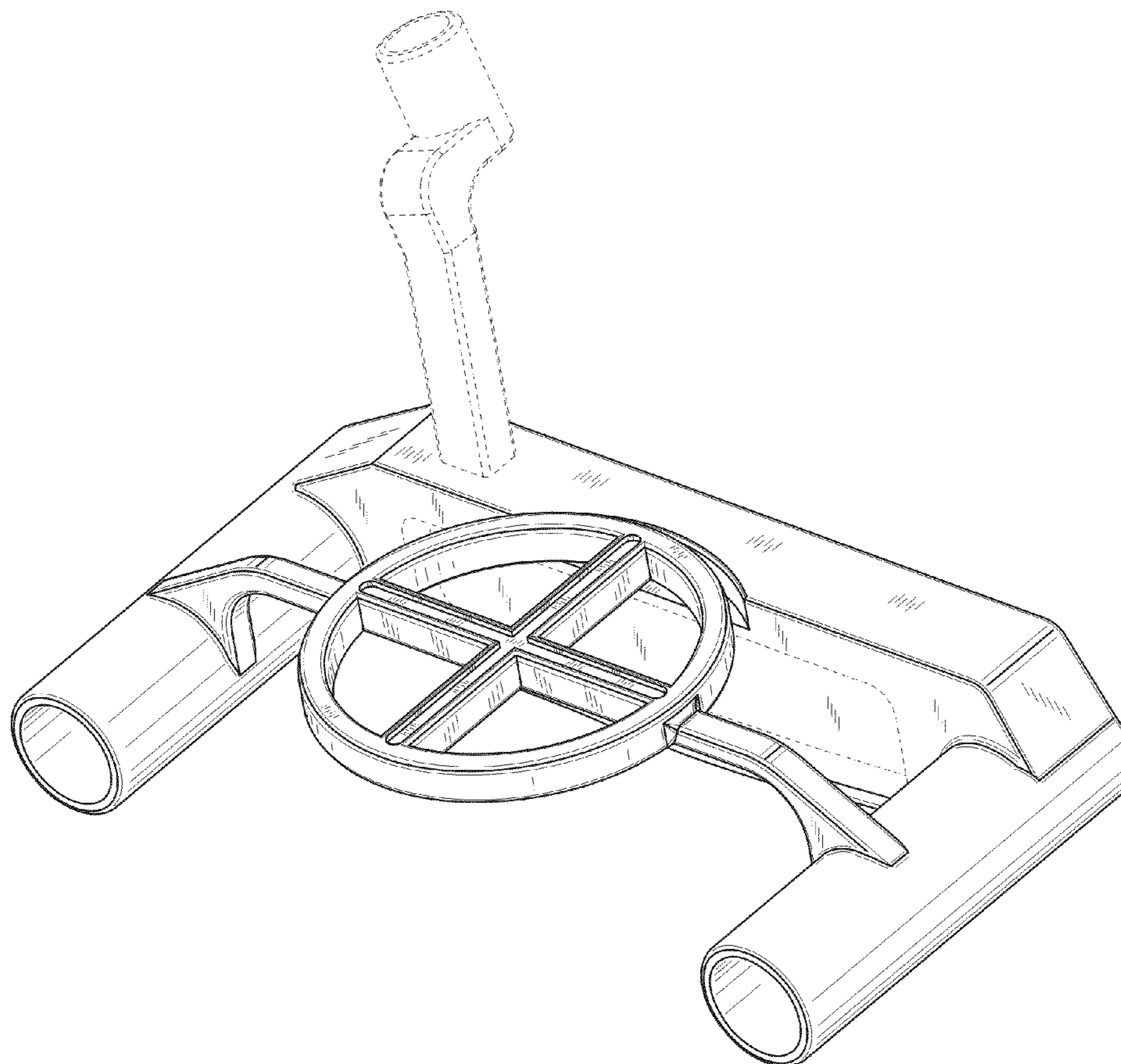


FIG. 1

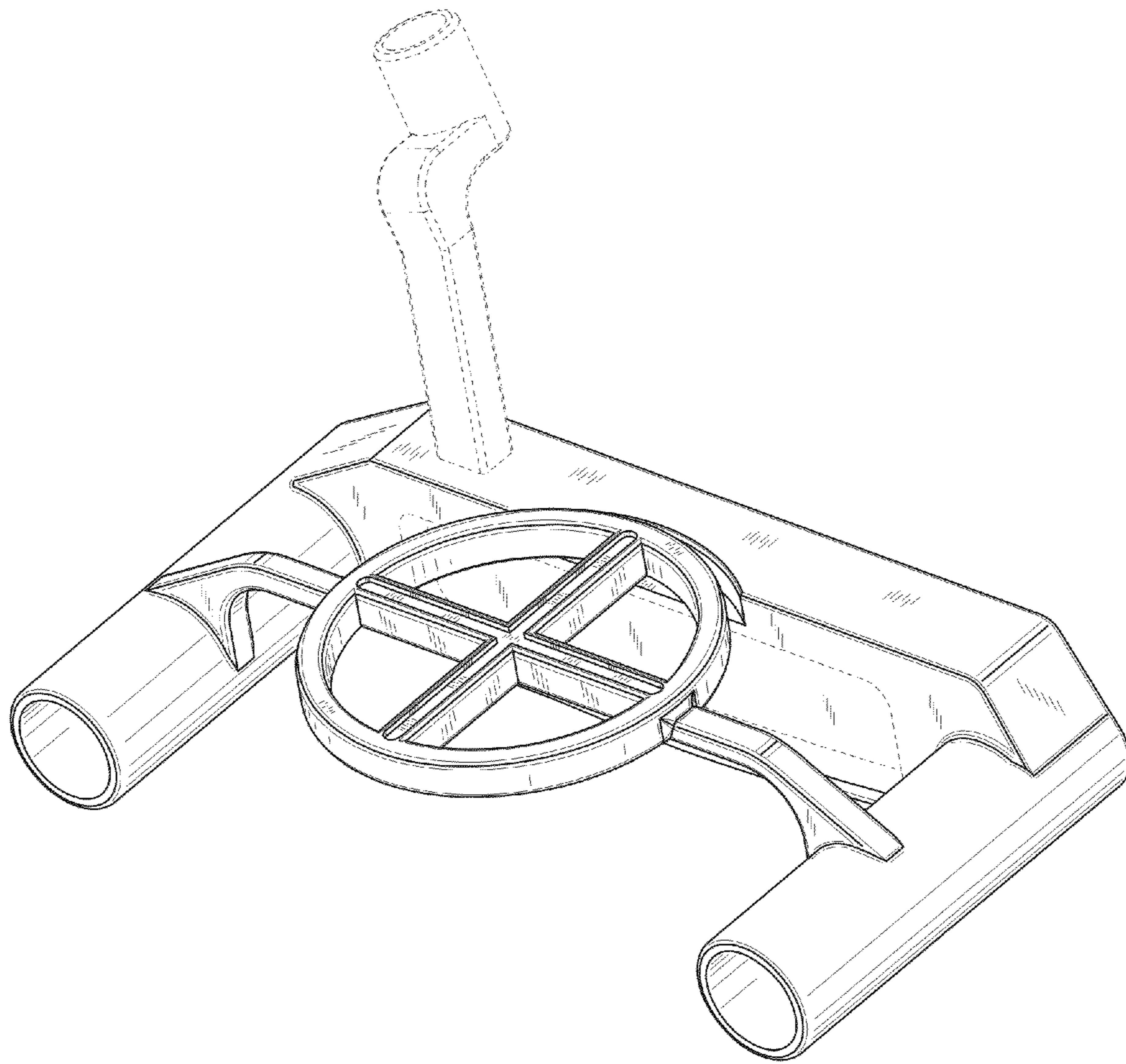


FIG. 2

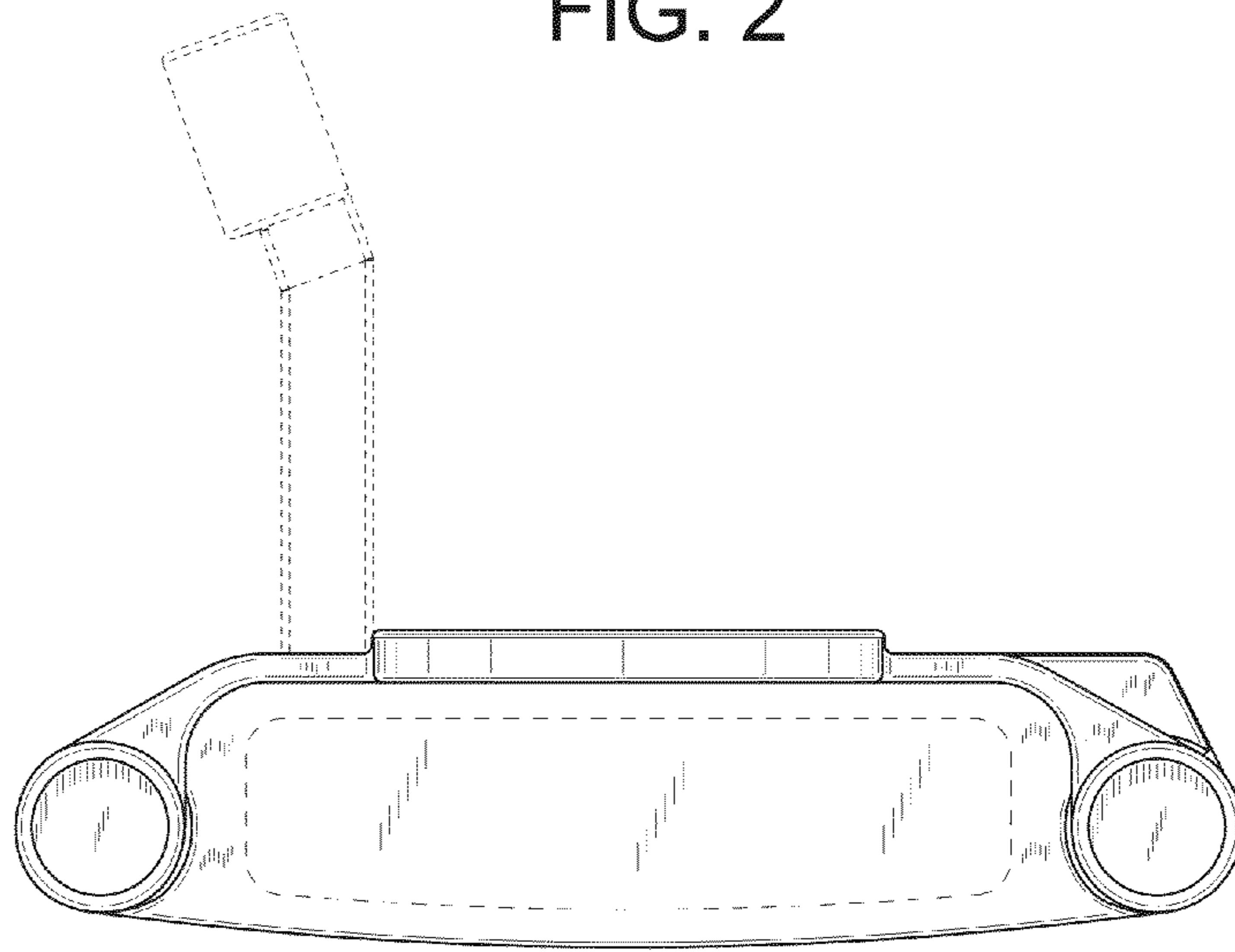


FIG. 3

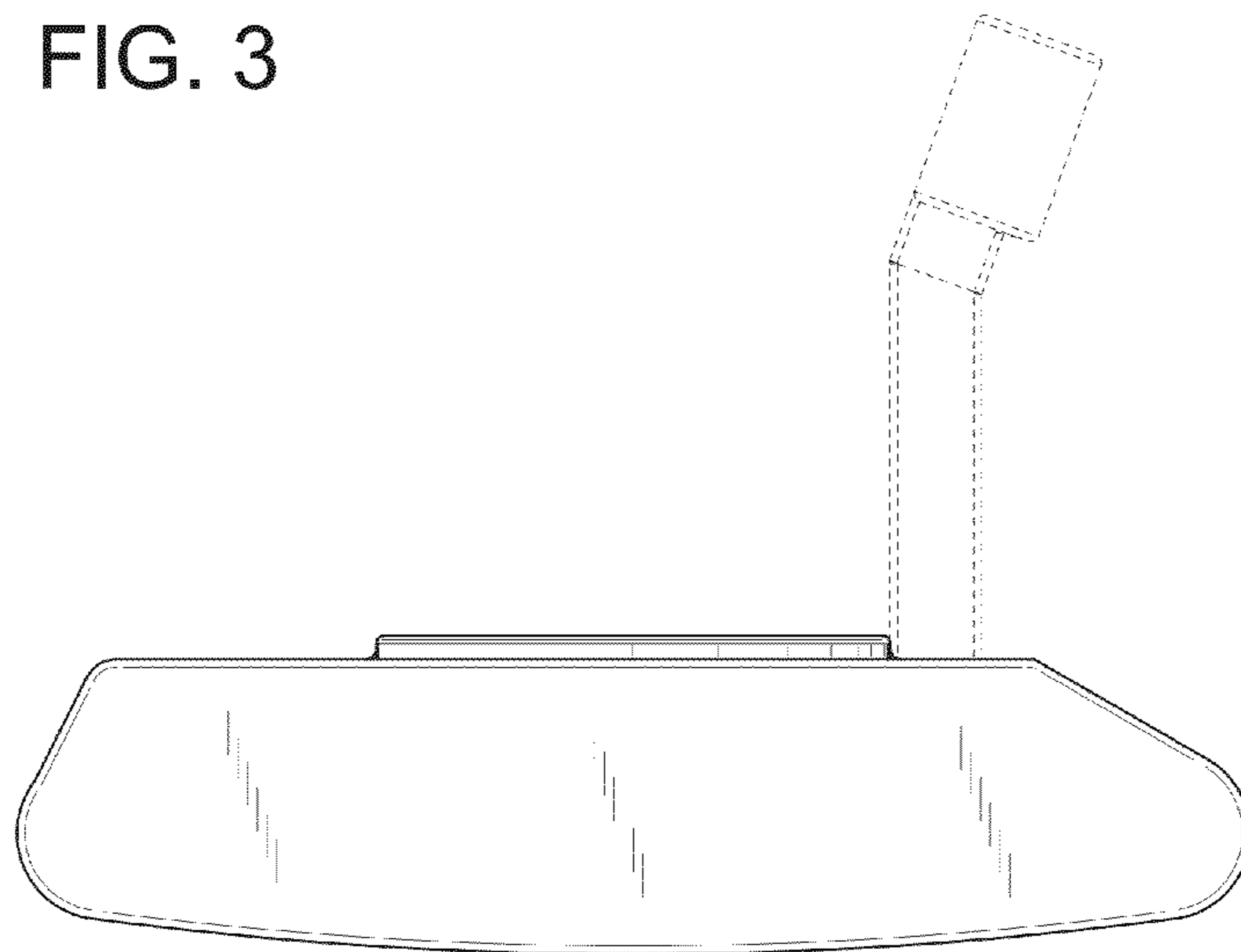


FIG. 4

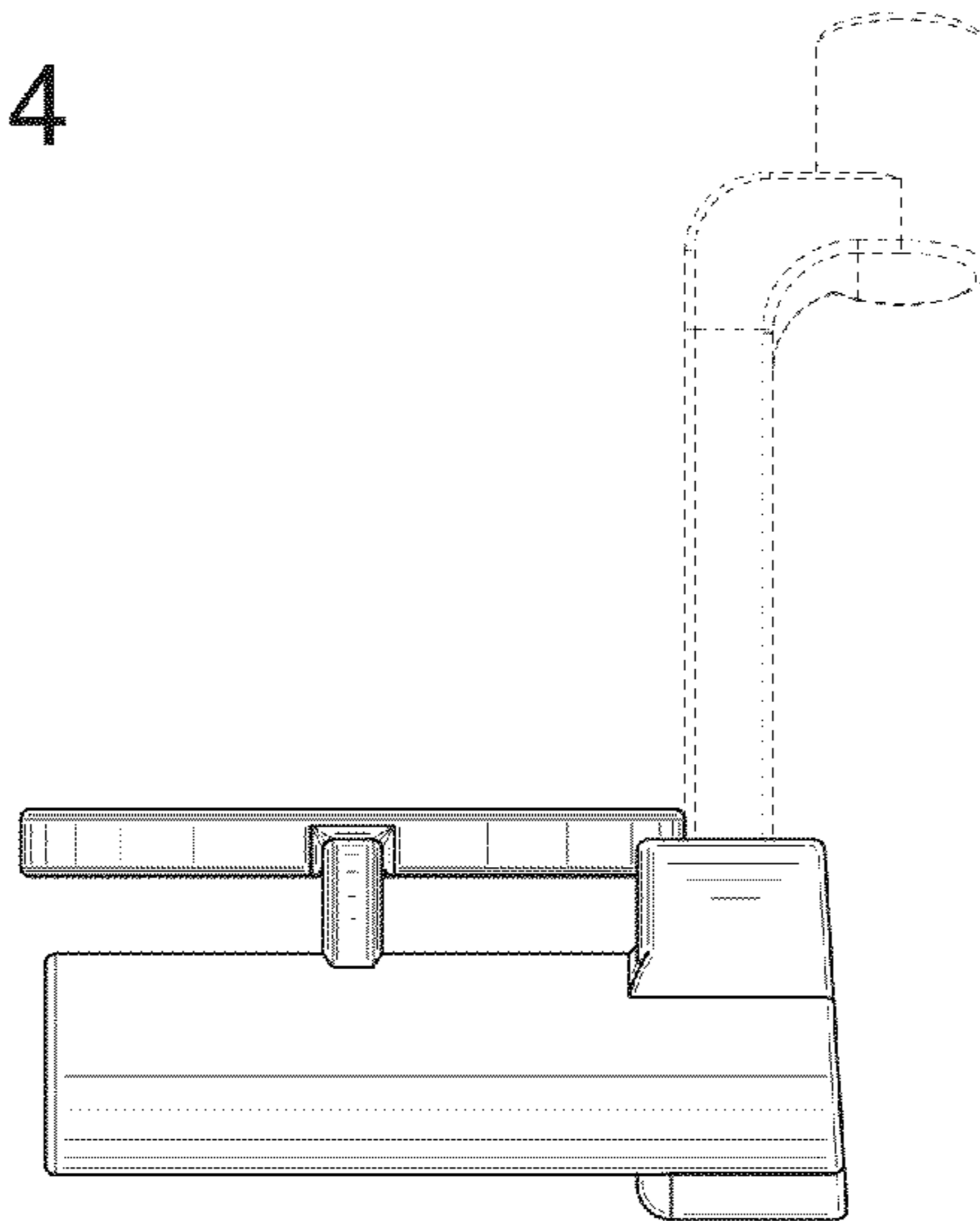


FIG. 5

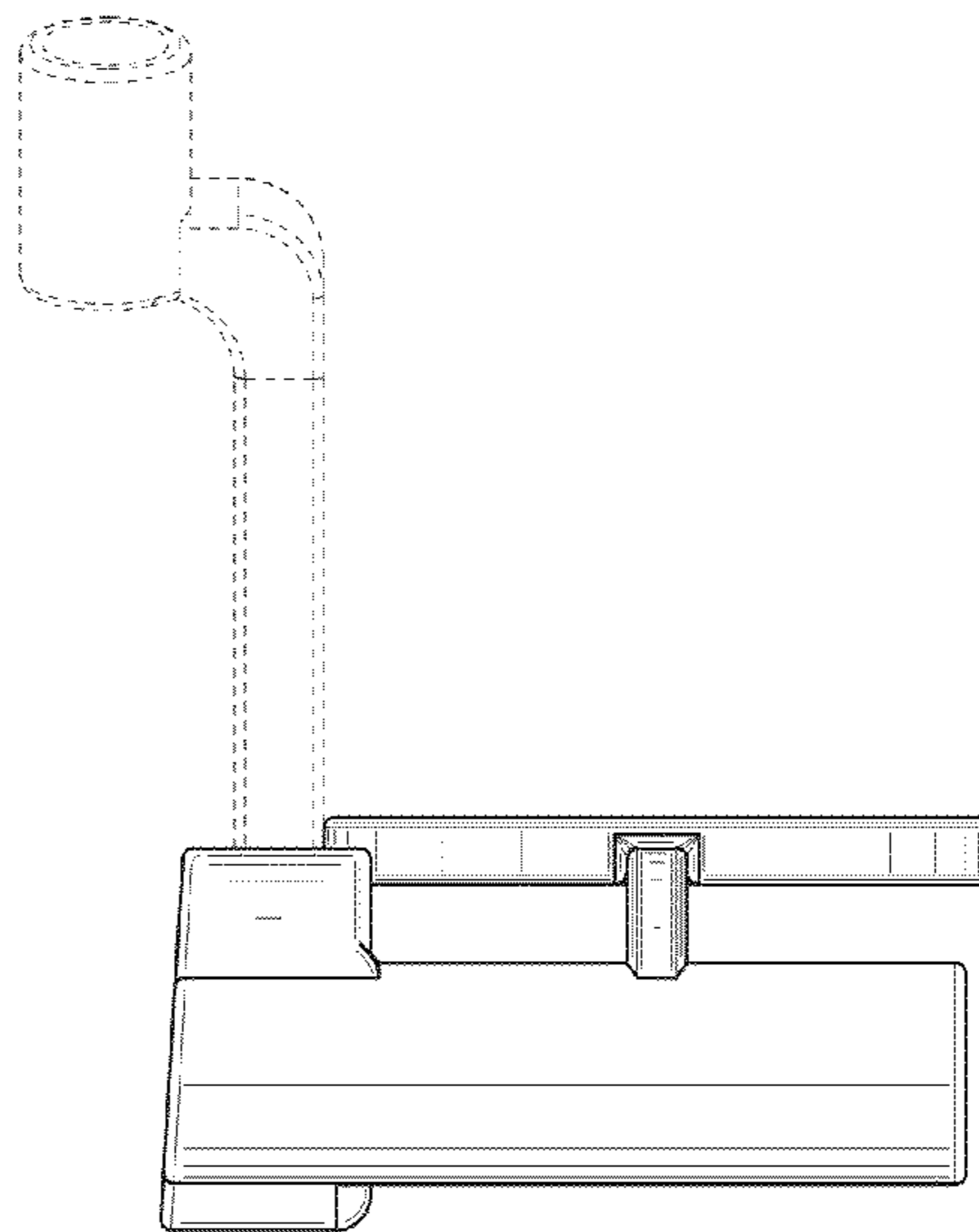


FIG. 6

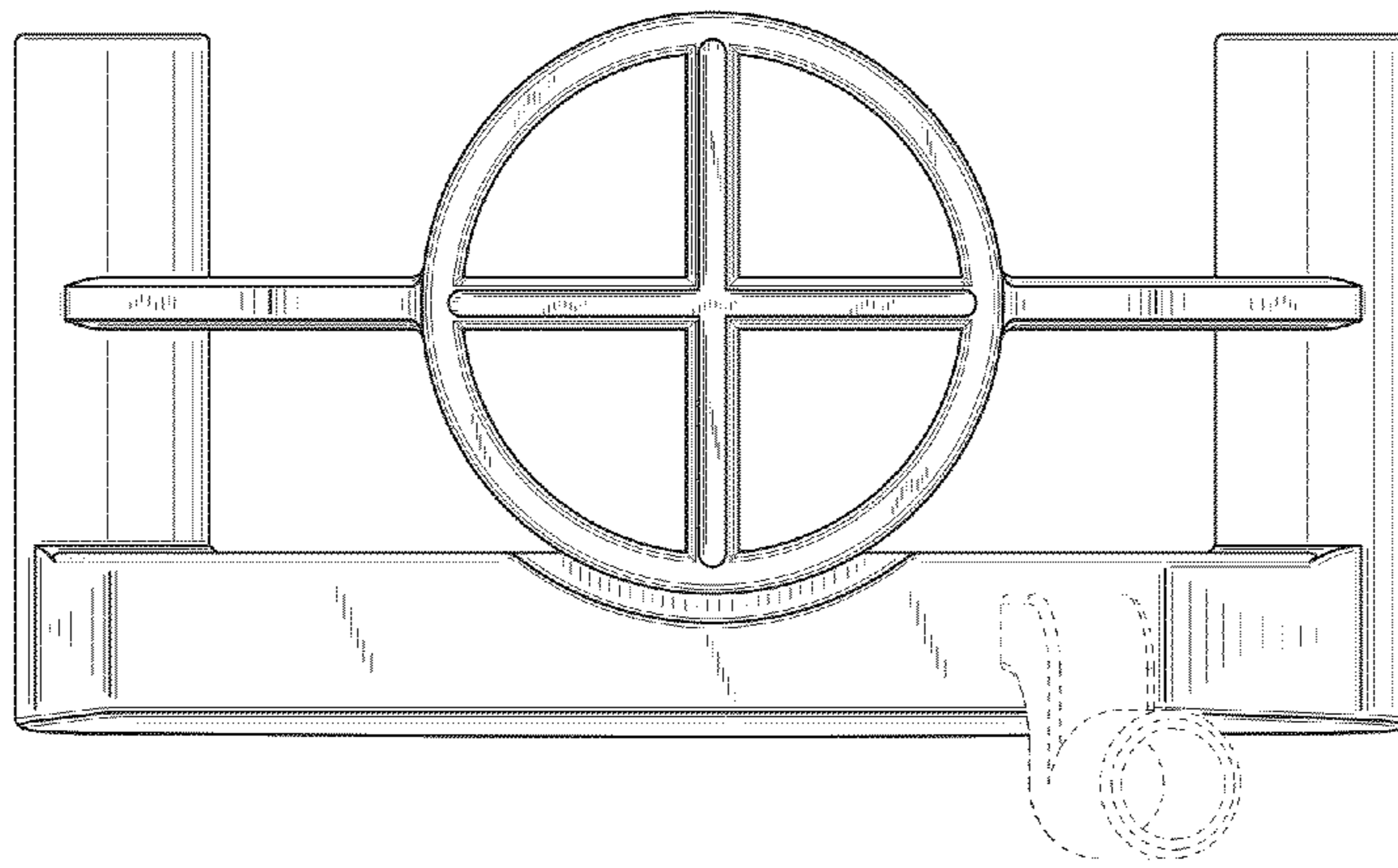


FIG. 7

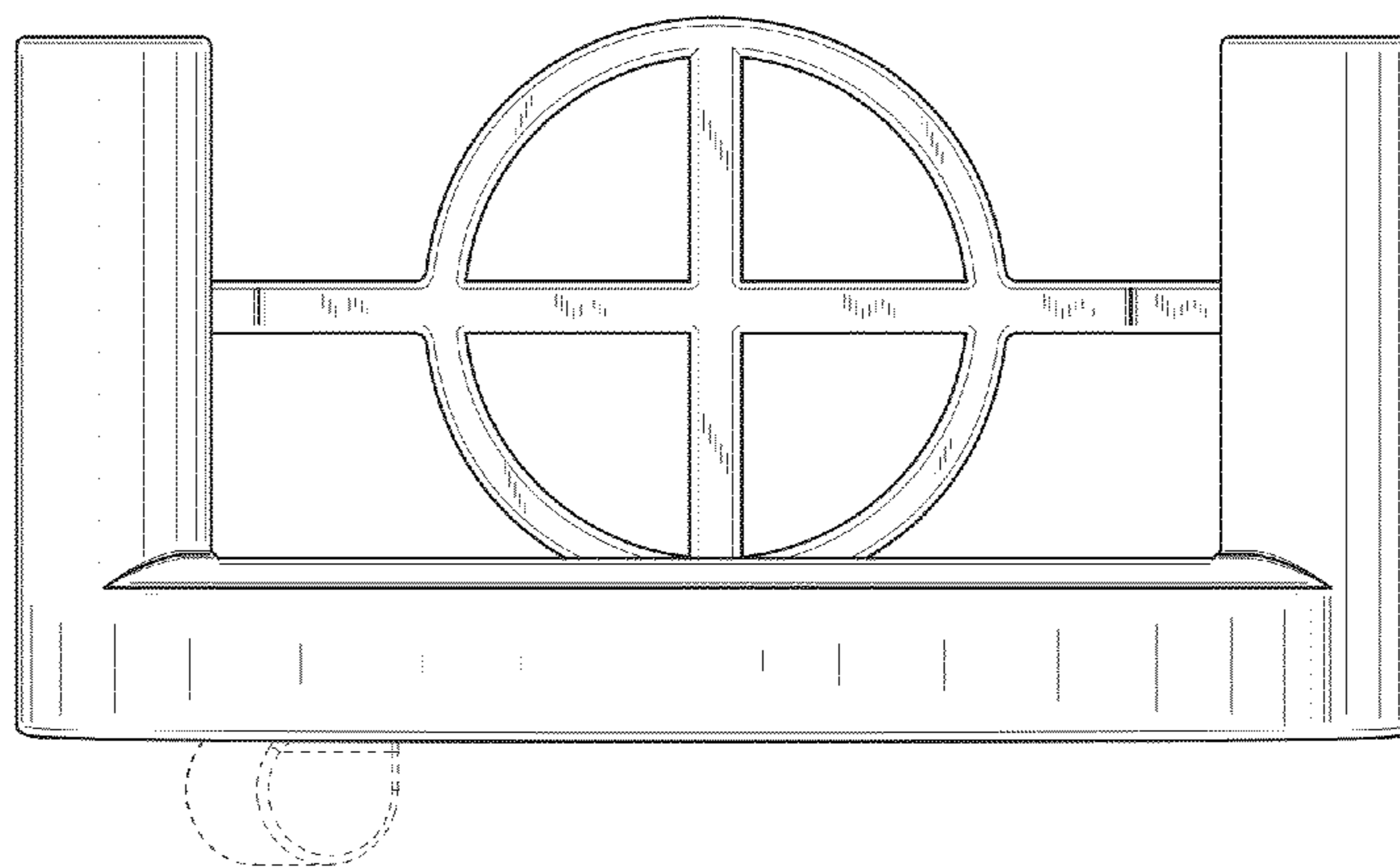


FIG. 8

