

US00D669144S

(12) **United States Design Patent**
Calvin et al.

(10) **Patent No.:** **US D669,144 S**
(45) **Date of Patent:** **** Oct. 16, 2012**

(54) **ELASTIC BAND NECK EXERCISER**

(76) Inventors: **Frank Calvin**, Warren, OH (US); **Joe Eschman**, Cortland, OH (US); **Dana Jeter**, Hillsboro, OH (US)

(**) Term: **14 Years**

(21) Appl. No.: **29/397,786**

(22) Filed: **Jul. 20, 2011**

(51) **LOC (9) Cl.** **21-02**

(52) **U.S. Cl.** **D21/692; D21/662**

(58) **Field of Classification Search** D21/662,
D21/684, 686, 692; 482/10, 91, 121, 124,
482/125, 126, 129, 131, 139, 140; D24/191
See application file for complete search history.

(56) **References Cited**

U.S. PATENT DOCUMENTS

1,517,147	A *	11/1924	Burnett	482/10
1,610,324	A *	12/1926	Roche et al.	482/129
3,118,443	A *	1/1964	Dykinga	602/17
3,154,071	A *	10/1964	Haagen	606/204.35
3,858,874	A *	1/1975	Weider	482/131
4,111,415	A *	9/1978	Reitano	482/10
4,456,249	A *	6/1984	Calabrese	482/124
4,909,505	A	3/1990	Tee		
5,135,445	A	8/1992	Christensen et al.		
5,431,617	A *	7/1995	Ratray, Jr.	482/129
D394,480	S *	5/1998	Heins	D21/692

5,857,949	A *	1/1999	Tebbe et al.	482/140
6,036,625	A	3/2000	Woodruff		
D431,618	S *	10/2000	Royce	D21/692
6,450,930	B1 *	9/2002	Kroke	482/121
6,921,354	B1	7/2005	Shifferaw		
7,806,814	B2	10/2010	Hetrick		
2009/0075787	A1	3/2009	Hetrick		
2010/0285938	A1	11/2010	Latronica		

* cited by examiner

Primary Examiner — Susan E Krakower

(74) *Attorney, Agent, or Firm* — QuickPatents, Inc.; Kevin Prince

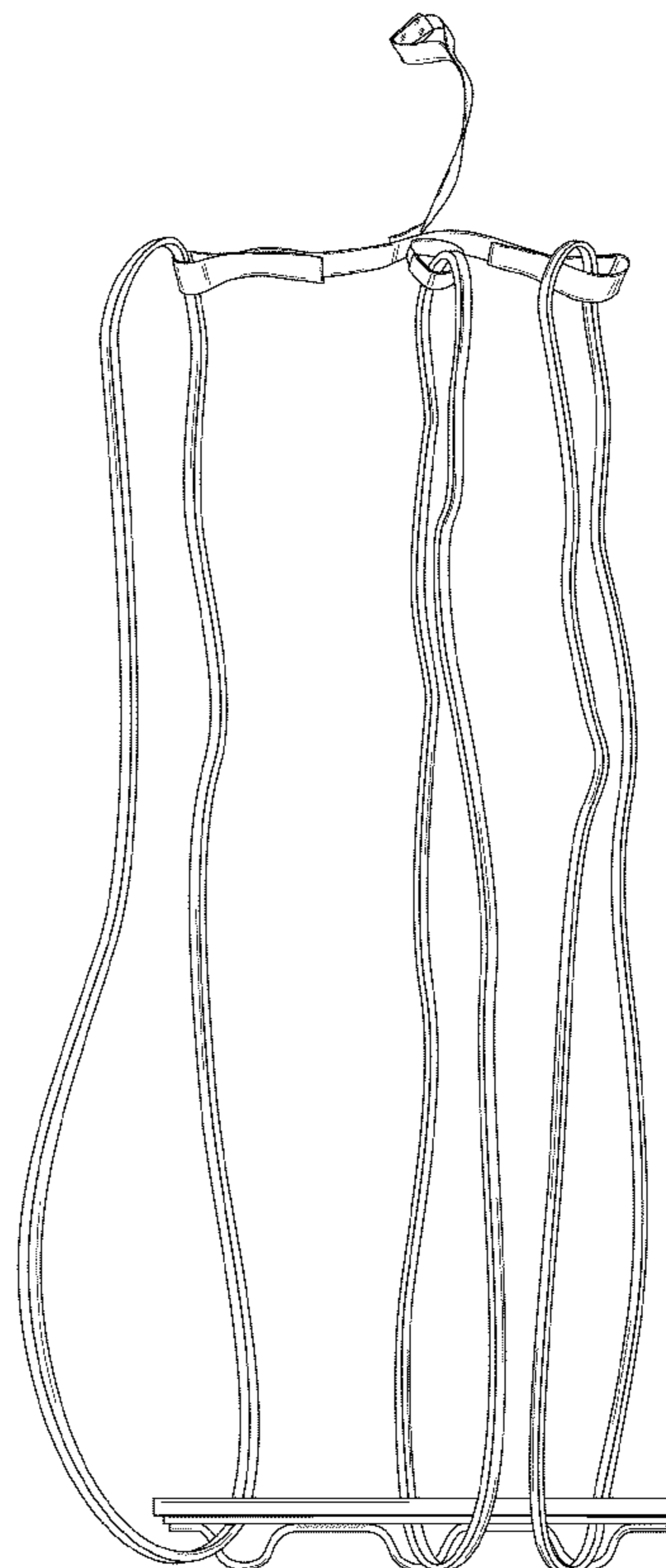
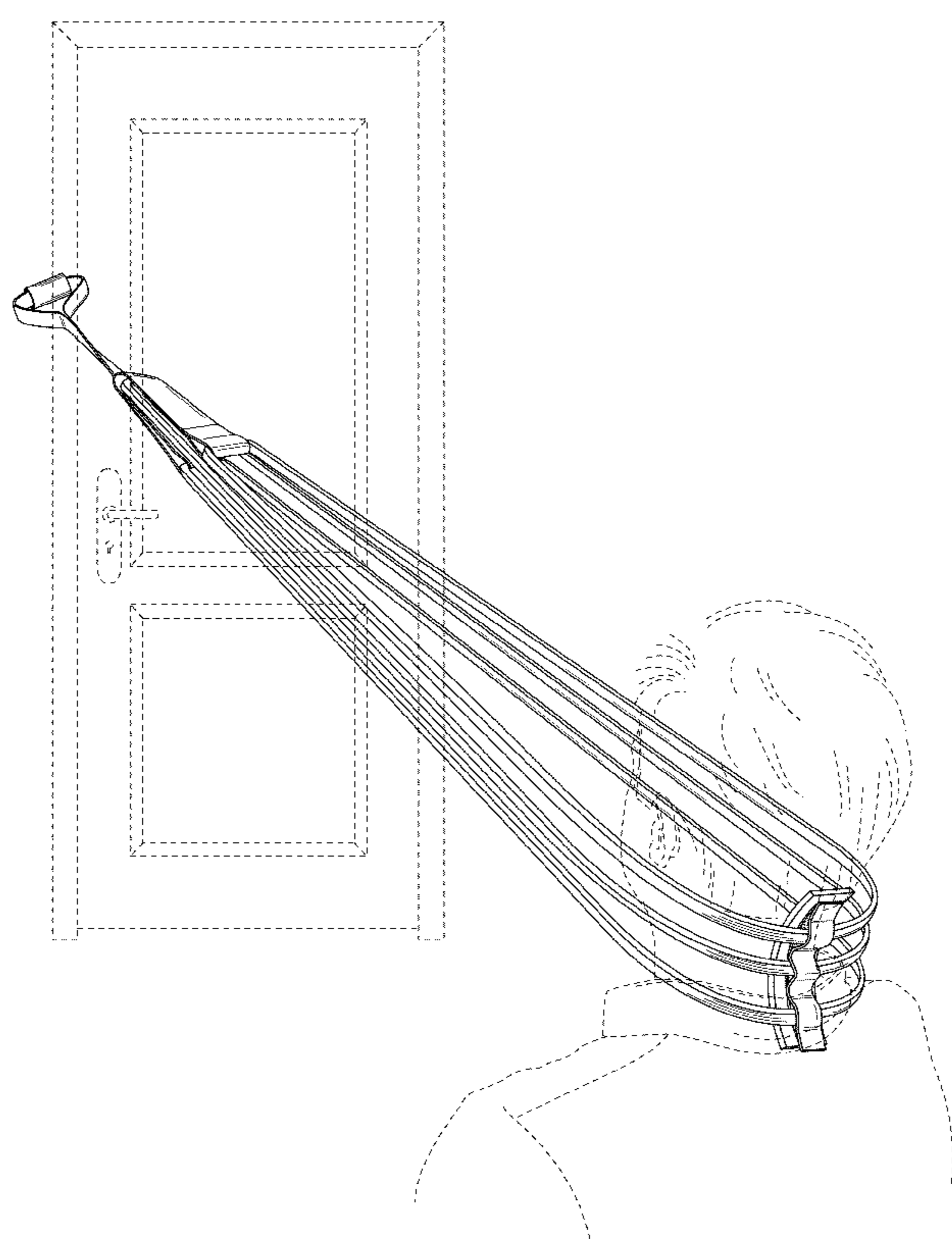
(57) **CLAIM**

We claim the ornamental design for an elastic band neck exerciser, as shown and described.

DESCRIPTION

FIG. 1 is a perspective view of an elastic band neck exerciser, showing our new design in a stretched configuration;
 FIG. 2 is a left-side elevational view thereof;
 FIG. 3 is a right-side elevational view thereof;
 FIG. 4 is a top plan view thereof, the bottom plan view being a mirror image thereof;
 FIG. 5 is a front elevational view thereof;
 FIG. 6 is a rear elevational view thereof; and,
 FIG. 7 is a perspective view thereof, illustrated in a relaxed position.
 The broken lines showing a door and a person in FIG. 1 depict environmental matter and form no part of the claimed design.

1 Claim, 4 Drawing Sheets



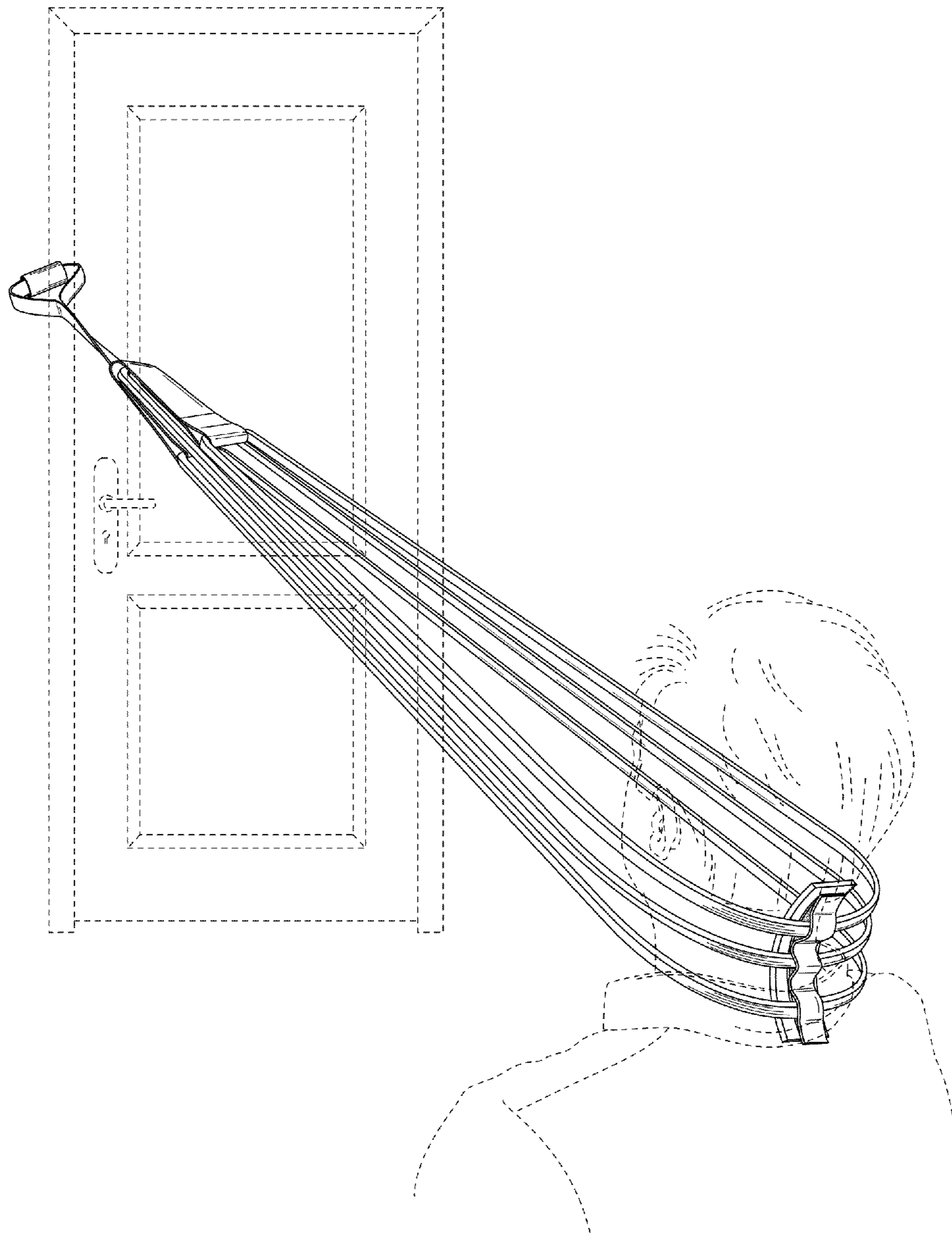


FIG. 1

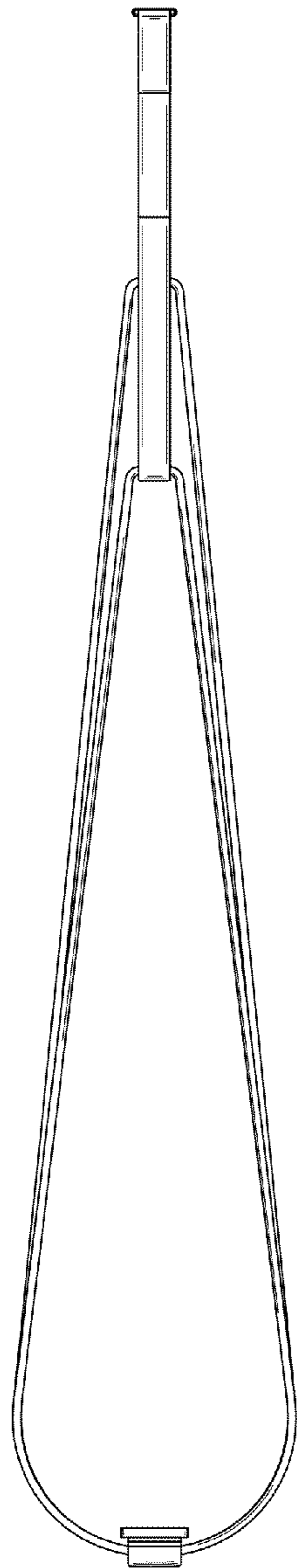


FIG. 2

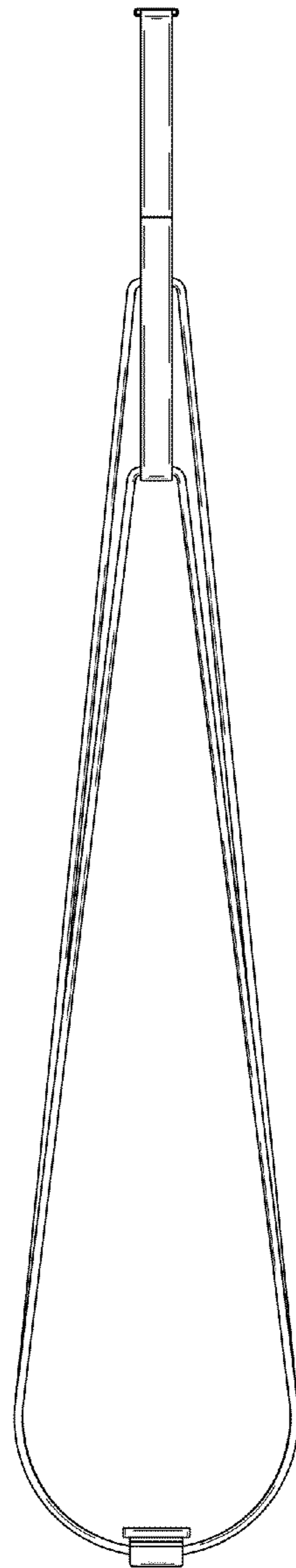


FIG. 3

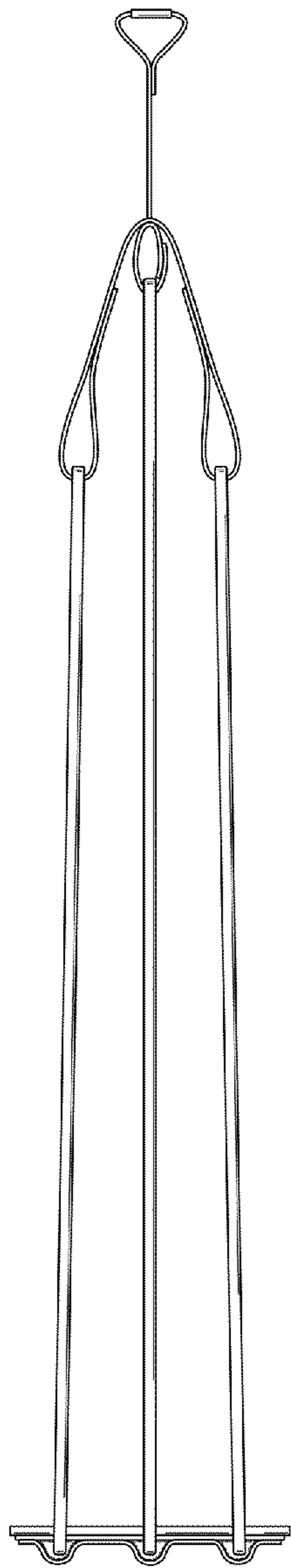


FIG. 4

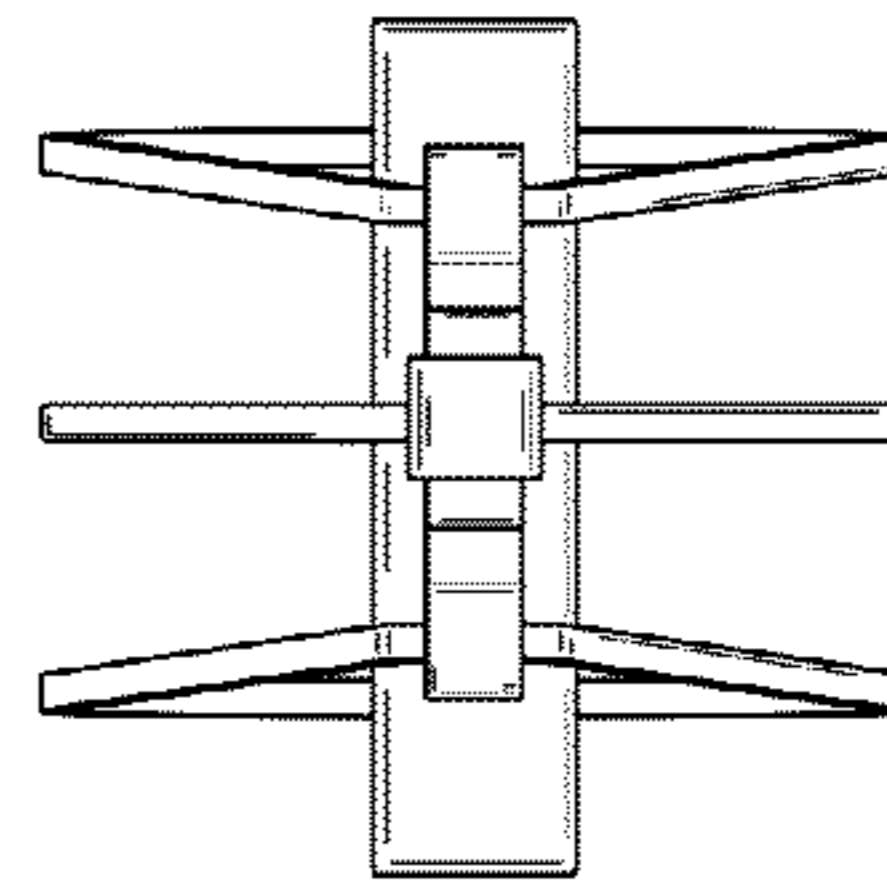


FIG. 5

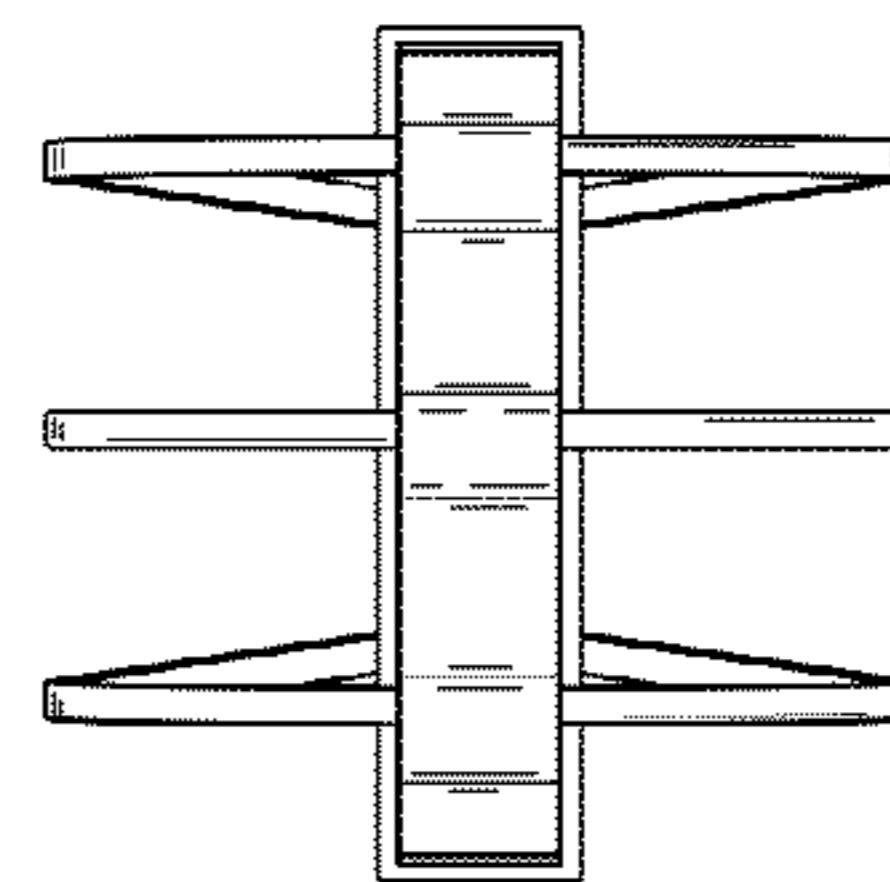


FIG. 6

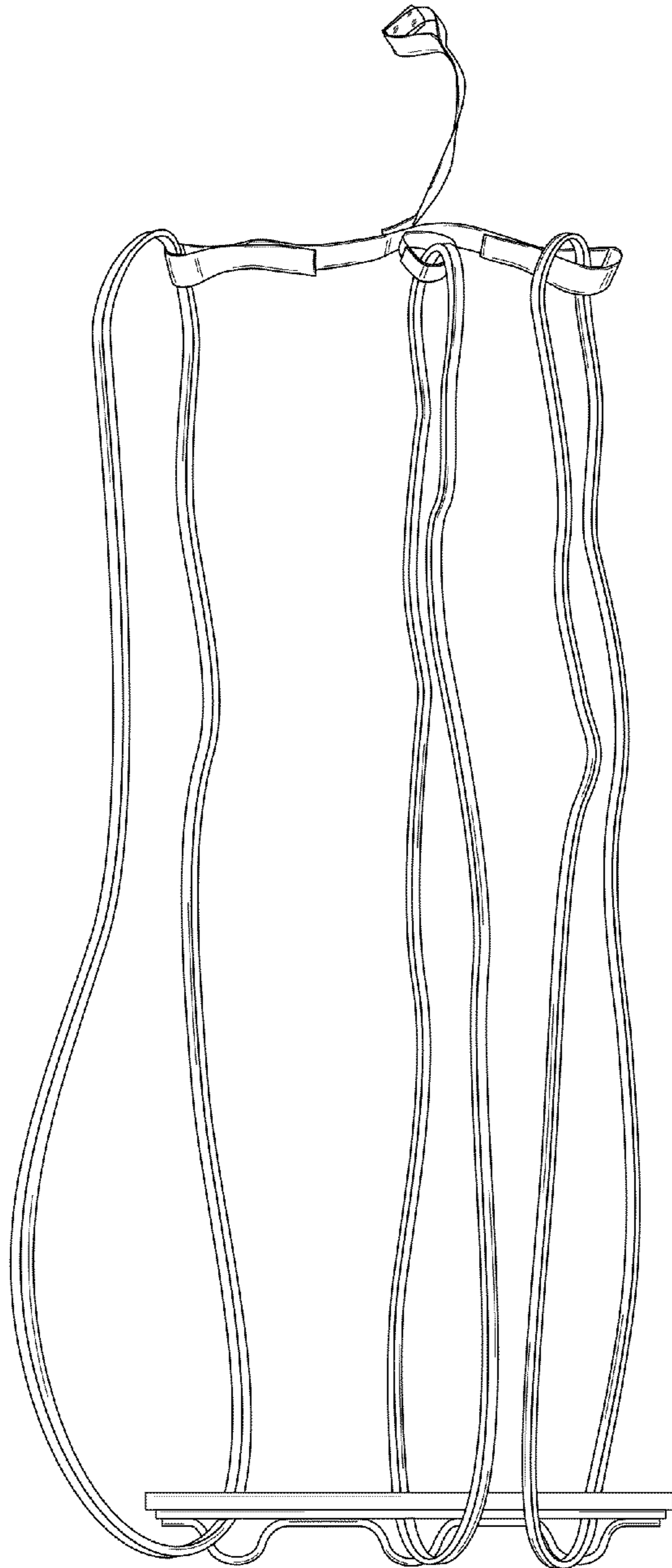


FIG. 7