

US00D669143S

(12) **United States Design Patent**
Casey

(10) **Patent No.:** **US D669,143 S**
(45) **Date of Patent:** **** Oct. 16, 2012**

- (54) **GOLFER'S EXERCISE STRETCHING RACK**
 - (76) Inventor: **Thomas M. Casey**, Orland Park, IL
(US)
 - (**) Term: **14 Years**
 - (21) Appl. No.: **29/422,702**
 - (22) Filed: **May 23, 2012**
 - (51) **LOC (9) Cl.** **21-02**
 - (52) **U.S. Cl.** **D21/691; D21/686**
 - (58) **Field of Classification Search** D21/662,
D21/671, 684, 686, 688, 691, 698, 708, 709,
D21/717, 811, 814; D24/188; 482/26, 33,
482/35, 38, 51, 110, 111, 118, 121, 131,
482/137, 142, 907
- See application file for complete search history.

D371,586 S *	7/1996	Snyder	D21/691
D372,059 S	7/1996	Taylor		
5,533,950 A *	7/1996	Lochbaum	482/51
D389,204 S *	1/1998	Bates, II	D21/686
D410,050 S *	5/1999	Matte	D21/691
D468,946 S *	1/2003	Harms et al.	D6/552
D487,910 S *	3/2004	Wine	D21/698
6,863,642 B2 *	3/2005	Lamont	482/123
D503,757 S	4/2005	Sjurdagardi		
D519,586 S *	4/2006	Schulz et al.	D21/691
D527,430 S *	8/2006	Bulloch et al.	D21/691
D528,613 S	9/2006	Proud		
D529,106 S	9/2006	Proud		
7,179,210 B2 *	2/2007	Soukeras	482/109
D578,582 S	10/2008	Gomez		
D594,989 S *	6/2009	Carlson	D24/188
D635,623 S *	4/2011	Wright	D21/686
D636,040 S	4/2011	Henniger		
D637,663 S *	5/2011	Boutchee	D21/662
D657,431 S *	4/2012	Chilton	D21/717
2008/0058178 A1	3/2008	Schwartz		

* cited by examiner

(56) **References Cited**

U.S. PATENT DOCUMENTS

277,399 A	5/1883	Worthington		
1,979,844 A	11/1934	Rouenville		
2,871,017 A *	1/1959	Cook	482/110
D192,367 S *	3/1962	Marvosh	D21/684
D198,801 S	8/1964	Mitchell		
D198,923 S	8/1964	Mitchell		
D199,984 S *	1/1965	Mitchell	D21/688
D213,696 S	4/1969	Nahumck		
3,593,995 A *	7/1971	Eckstrom	482/110
4,244,567 A	1/1981	Linzee et al.		
D265,575 S *	7/1982	Lunford	D21/691
D271,602 S	11/1983	Taylor et al.		
D292,728 S *	11/1987	Wilkinson	D21/671
D325,945 S	5/1992	Gross		
D327,105 S *	6/1992	Smith, Jr.	D21/691
D332,981 S *	2/1993	Poli	D21/686
D336,122 S *	6/1993	Vasseur	D21/686
D337,140 S *	7/1993	Vasseur	D21/691
D352,540 S *	11/1994	Harger	D21/691
D359,089 S *	6/1995	Taylor	D21/691

Primary Examiner — Susan E Krakower

(74) *Attorney, Agent, or Firm* — Banner & Witcoff, Ltd.

(57) **CLAIM**

The ornamental design for a golfer's exercise stretching rack, as shown and described.

DESCRIPTION

FIG. 1 is a perspective view of a golfer's exercise stretching rack showing my new design;
 FIG. 2 is a front elevational view thereof, the rear elevational view, left-side elevational view, and right-side elevational view all being a mirror image thereof;
 FIG. 3 is a top plan view thereof; and,
 FIG. 4 is a bottom plan view thereof.
 The broken lines showing a ground surface in FIG. 1 depict environmental matter and form no part of the claimed design.

1 Claim, 3 Drawing Sheets

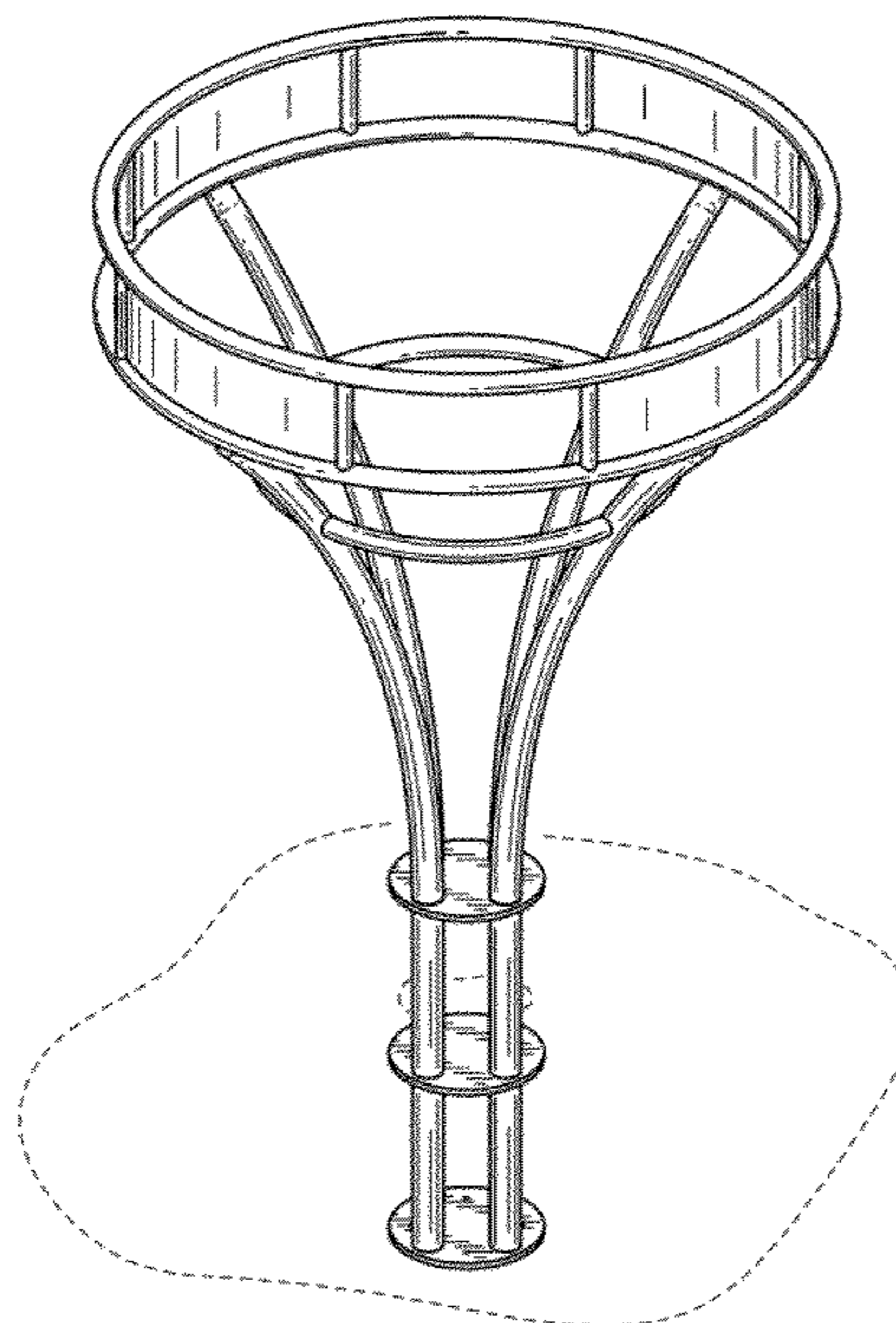


FIG. 1

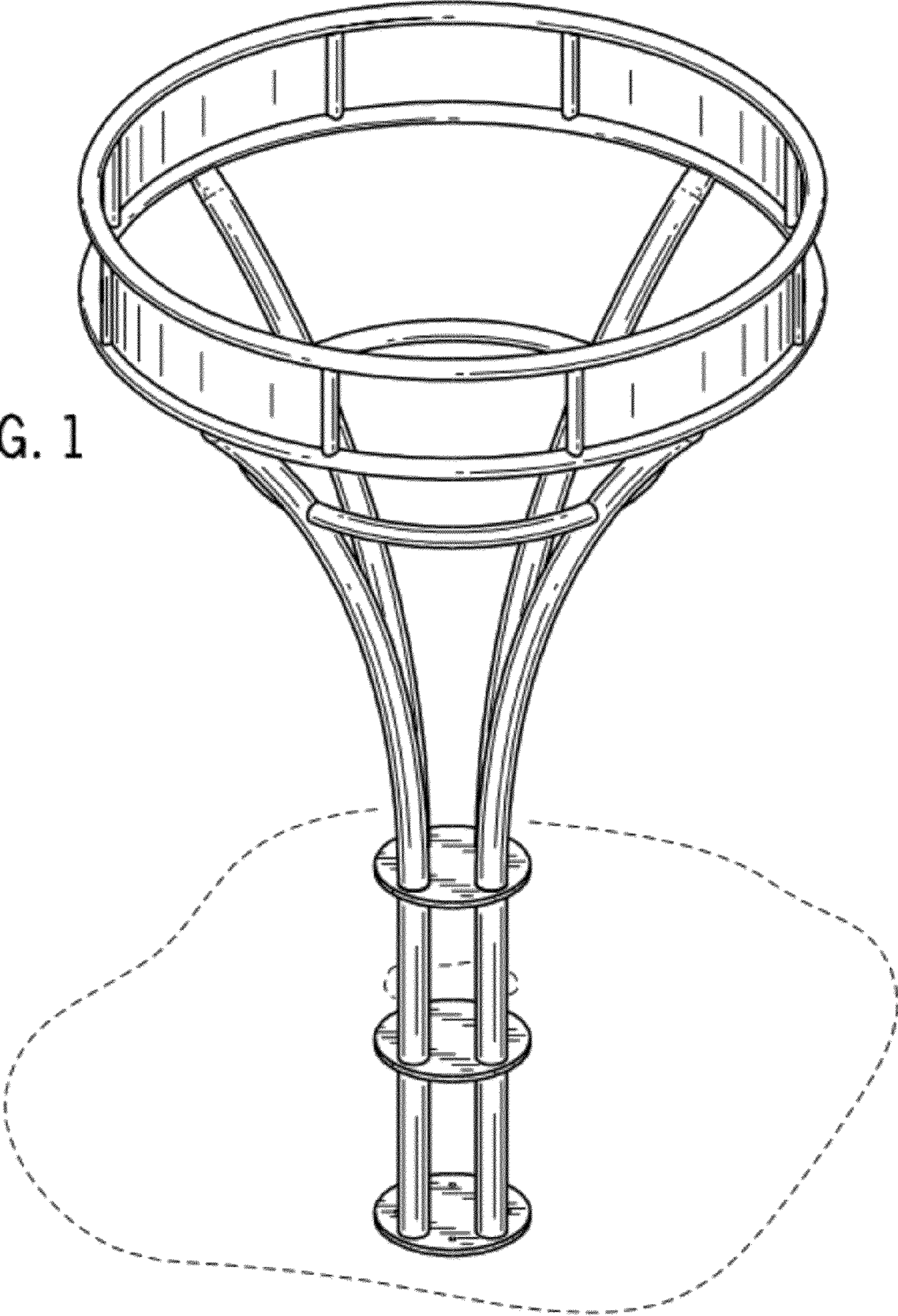


FIG. 2

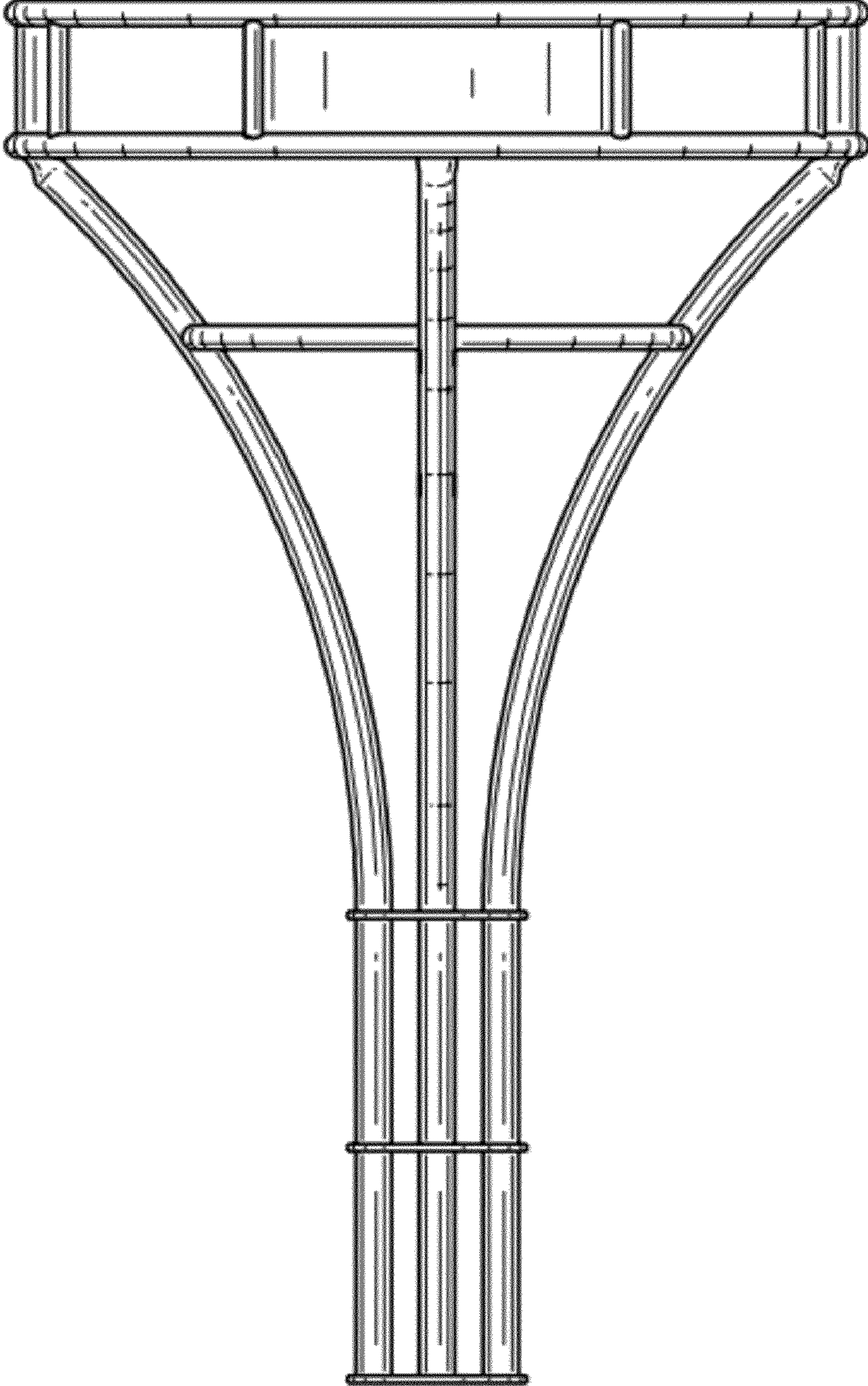


FIG. 3

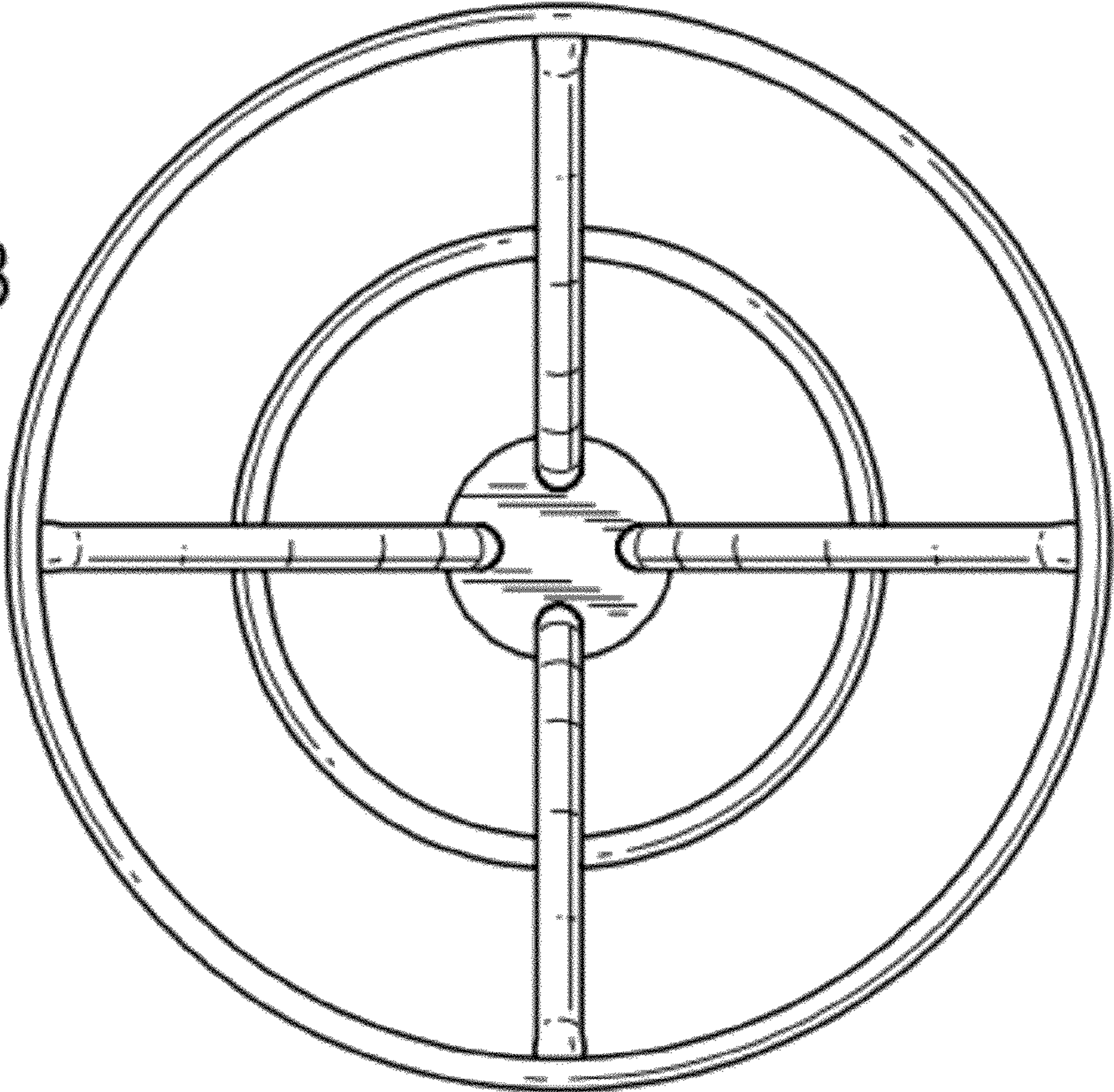


FIG. 4

