



US00D669141S

(12) **United States Design Patent**
MacColl et al.

(10) **Patent No.:** **US D669,141 S**

(45) **Date of Patent:** **** Oct. 16, 2012**

(54) **WHEELED EXERCISE DEVICE**

(75) Inventors: **Ian Coats MacColl**, Mill Valley, CA (US); **Tylor Hilton Garland**, Studio City, CA (US); **Jayson White Pegler**, Moorpark, CA (US); **Alden Morris Mills**, Kentfield, CA (US)

(73) Assignee: **Implus Footcare, LLC**, Durham, NC (US)

(**) Term: **14 Years**

(21) Appl. No.: **29/409,983**

(22) Filed: **Dec. 31, 2011**

(51) **LOC (9) Cl.** **21-02**

(52) **U.S. Cl.** **D21/662**

(58) **Field of Classification Search** D21/662,
D21/679, 680, 684, 686, 692, 694; 482/93,
482/95, 96, 104-110, 120, 124, 132, 140,
482/141, 148; D24/200, 211

See application file for complete search history.

(56) **References Cited**

U.S. PATENT DOCUMENTS

1,824,920	A *	9/1931	Novak	482/132
3,403,906	A *	10/1968	Burzenski	482/132
3,616,794	A *	11/1971	Gromala	601/120
3,752,475	A *	8/1973	Ott	482/127

D306,886	S *	3/1990	Shiek et al.	D21/662
6,017,296	A *	1/2000	Tang et al.	482/132
D422,038	S *	3/2000	Iannetta	D21/662
D453,363	S *	2/2002	Zhang	D21/662
6,348,027	B1 *	2/2002	Lee	482/132
D454,929	S *	3/2002	Huang	D21/662
D456,051	S *	4/2002	Mitchell	D21/662
7,993,250	B2 *	8/2011	Abbott	482/93
D654,970	S *	2/2012	Daves	D21/662

* cited by examiner

Primary Examiner — Susan E Krakower

(74) *Attorney, Agent, or Firm* — Charter IP, LLC; Matthew J. Lattig

(57) **CLAIM**

The ornamental design for a wheeled exercise device, as shown and described.

DESCRIPTION

FIG. 1 is a front perspective view of a wheeled exercise device showing our new design.

FIG. 2 is a front elevational view thereof.

FIG. 3 is a rear elevational view thereof.

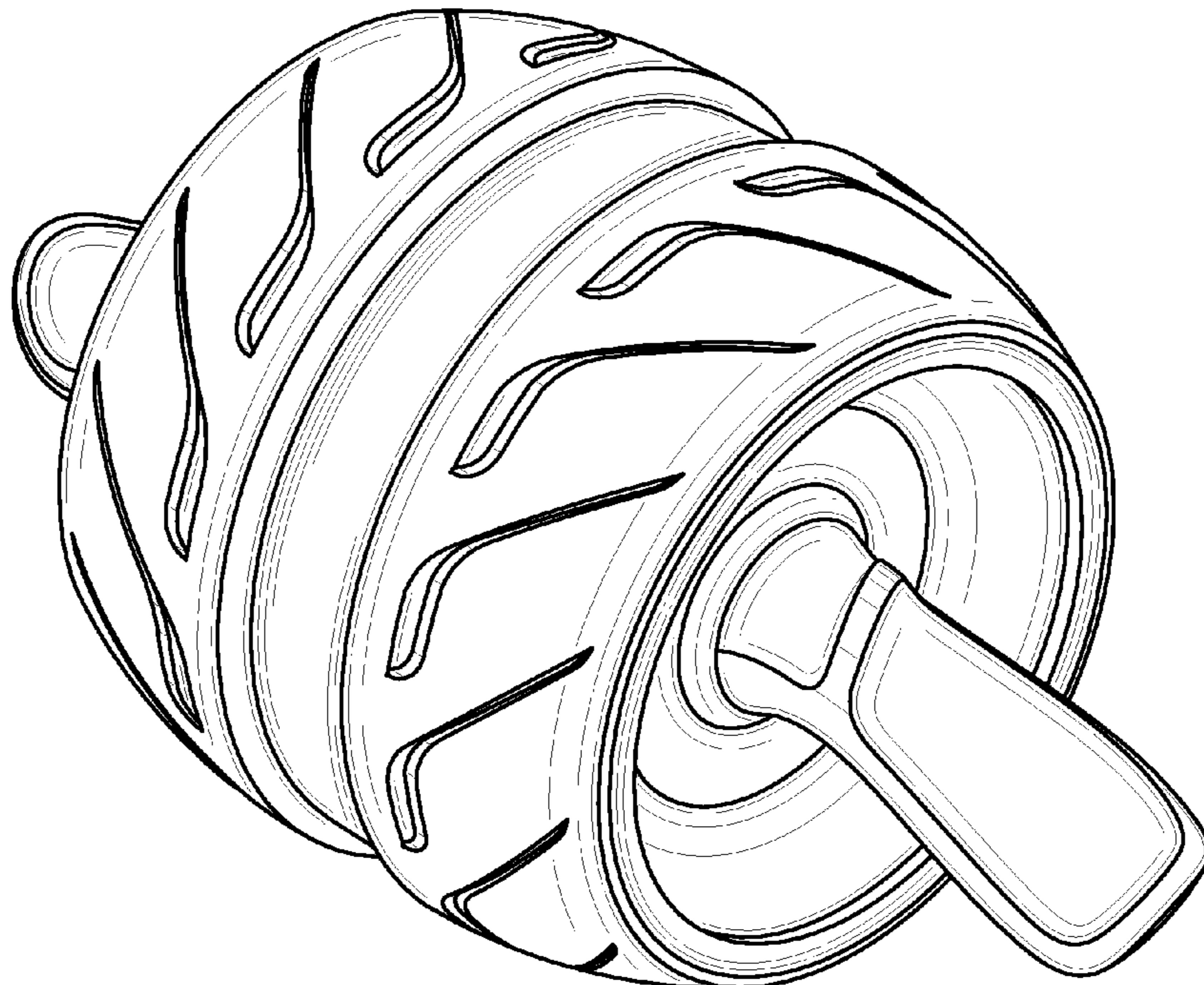
FIG. 4 is a top plan view thereof.

FIG. 5 is a bottom plan view thereof.

FIG. 6 is a right side elevational view thereof; and,

FIG. 7 is a left side elevational view thereof.

1 Claim, 4 Drawing Sheets



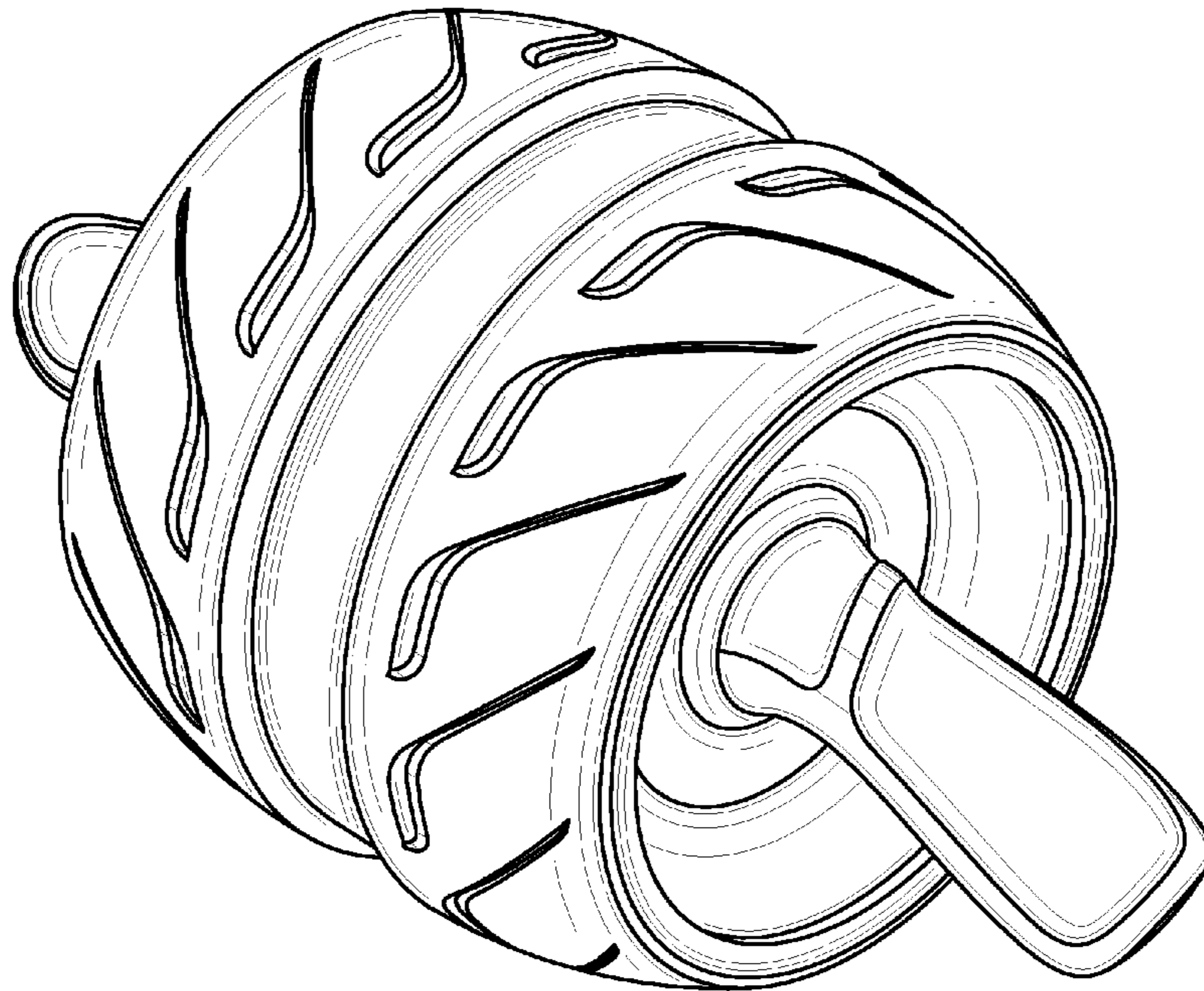


FIG. 1

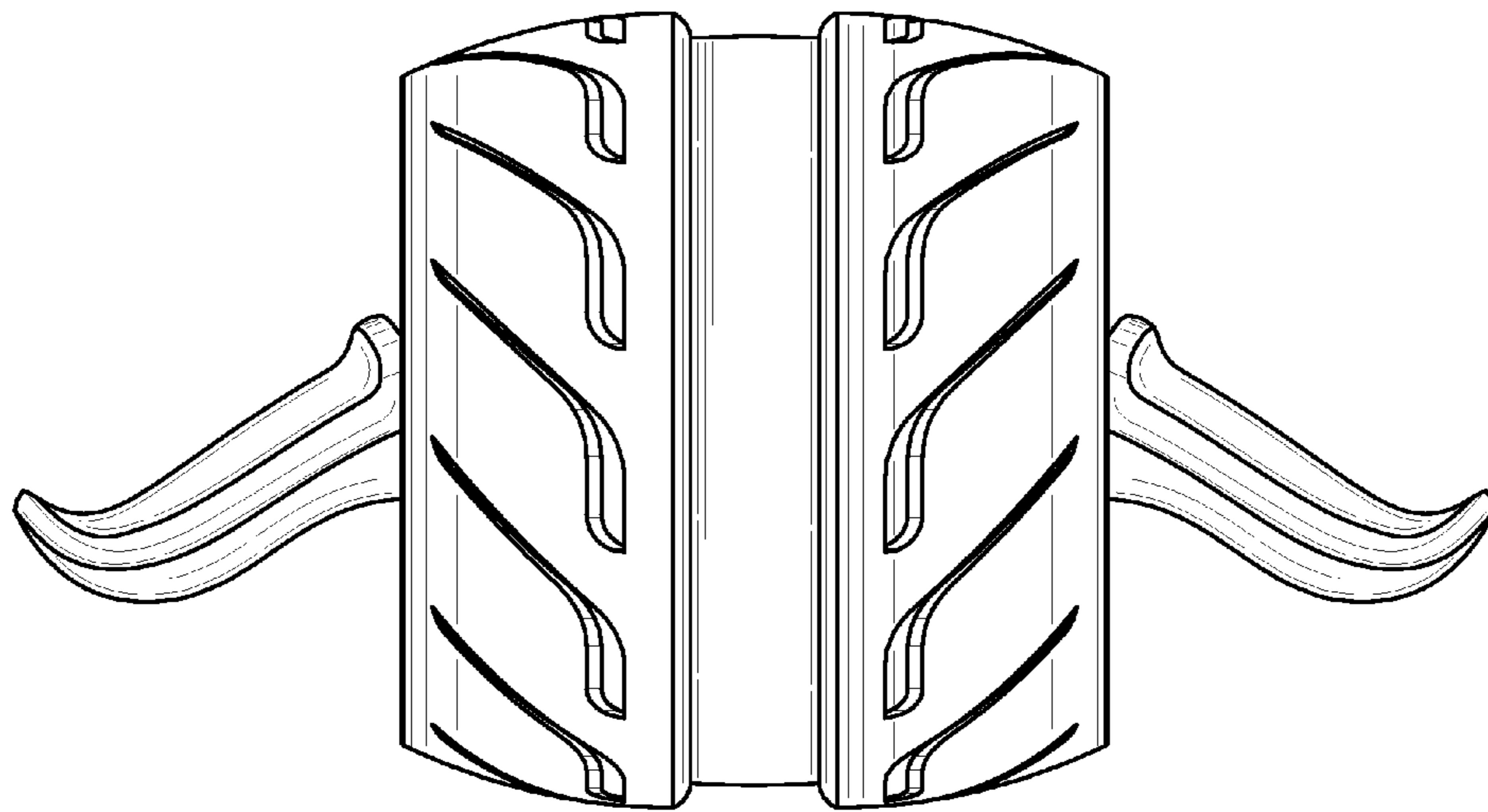


FIG. 2

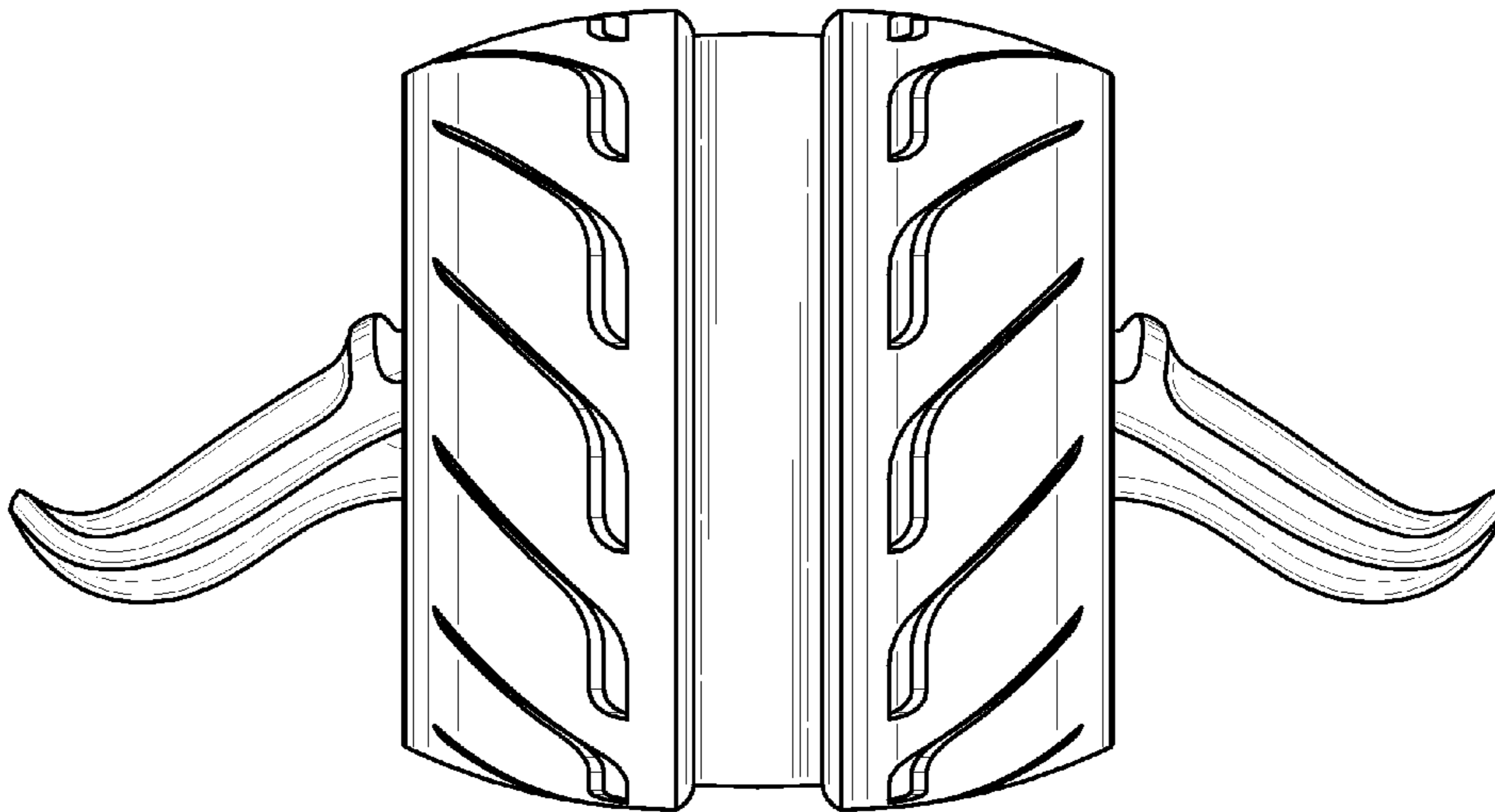


FIG. 3

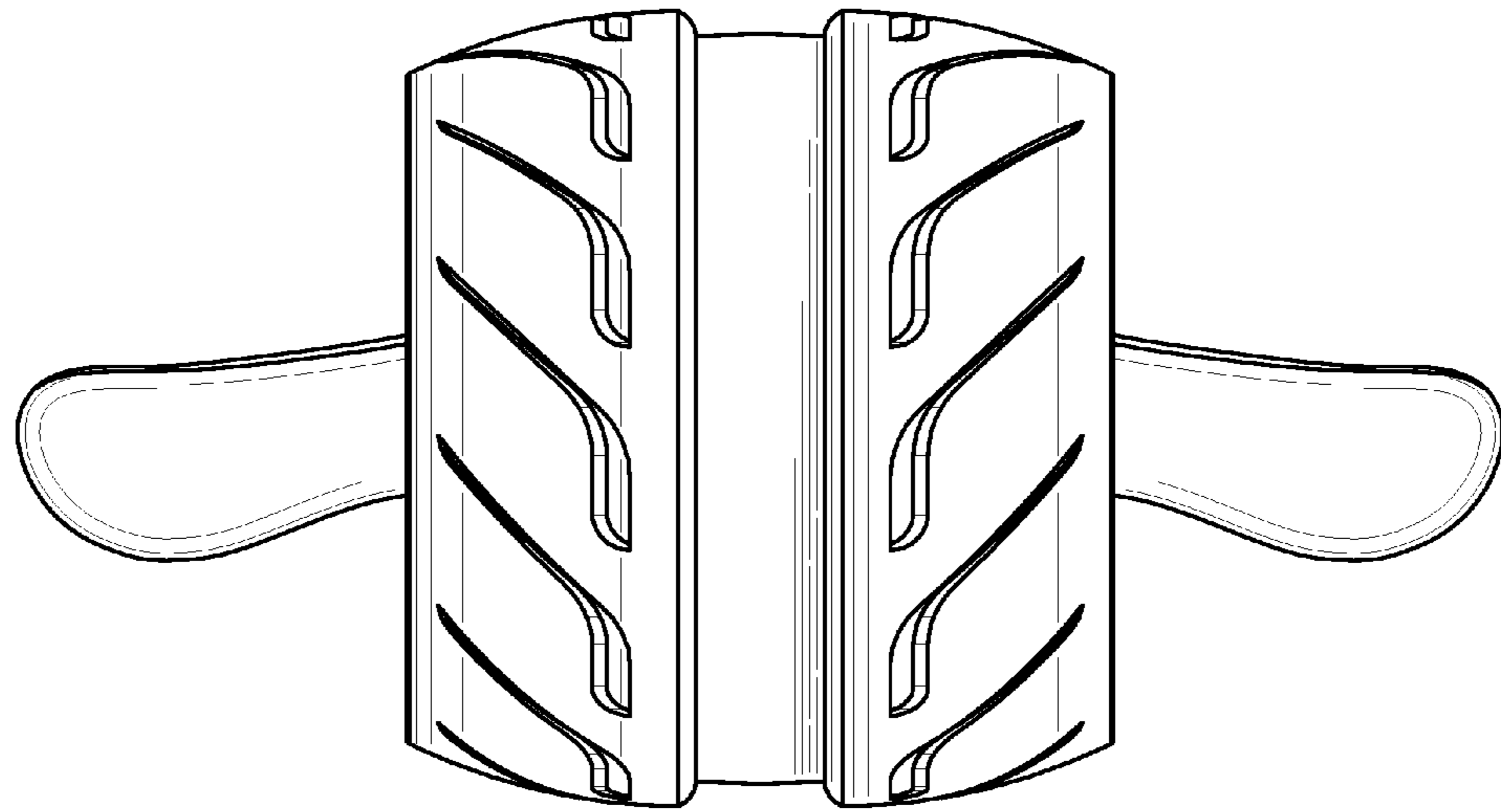


FIG. 4

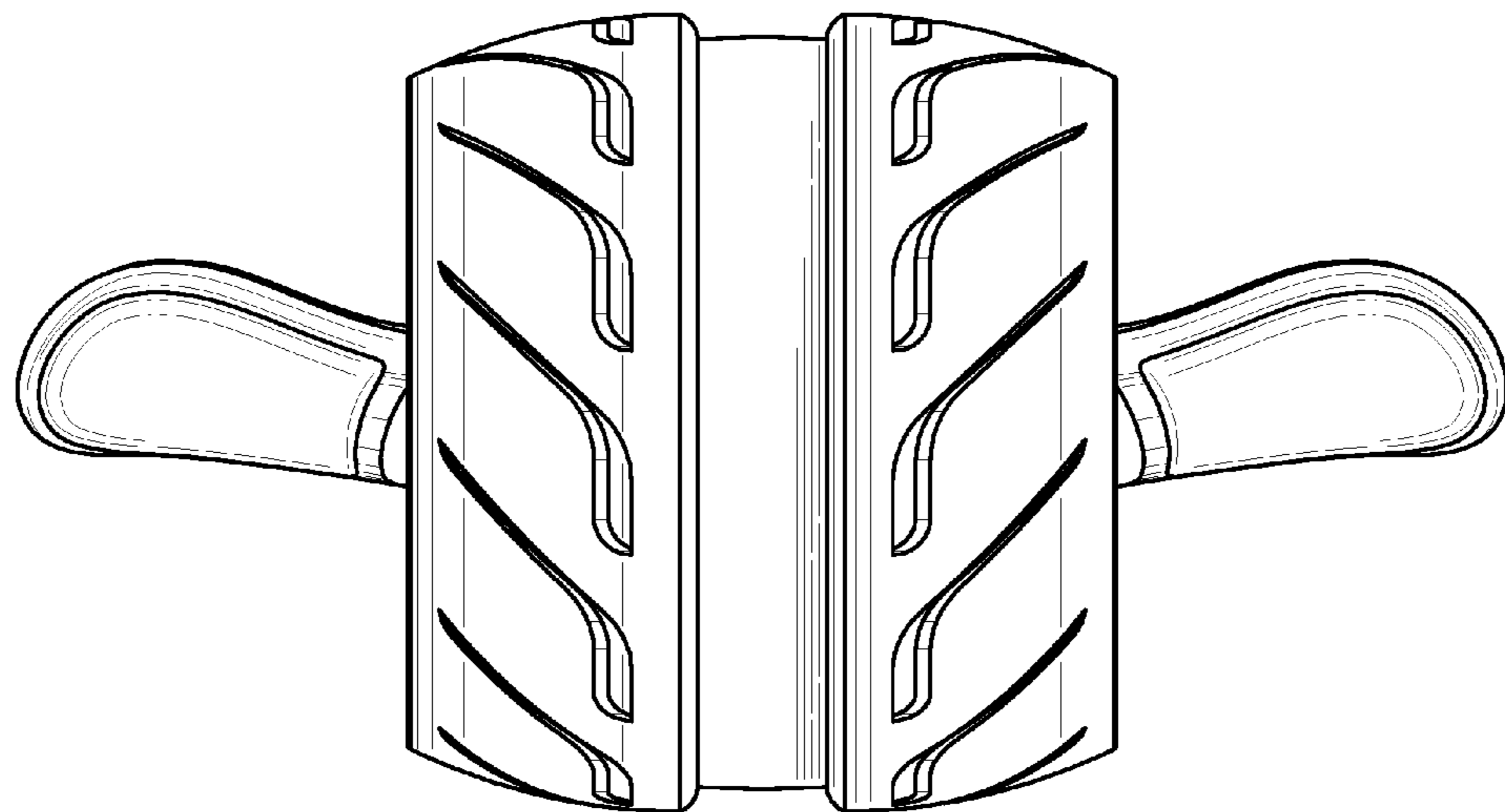


FIG. 5

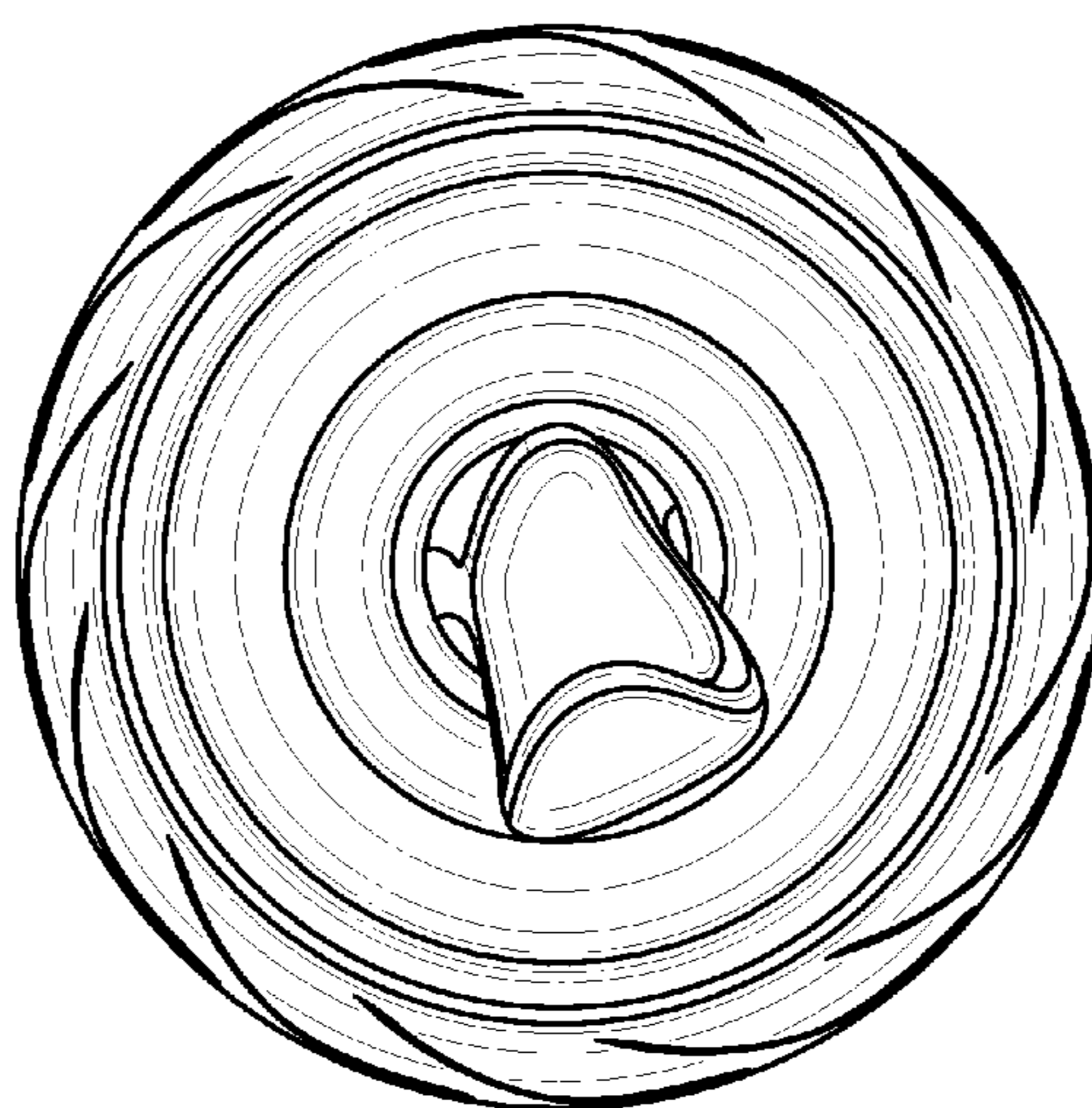


FIG. 6

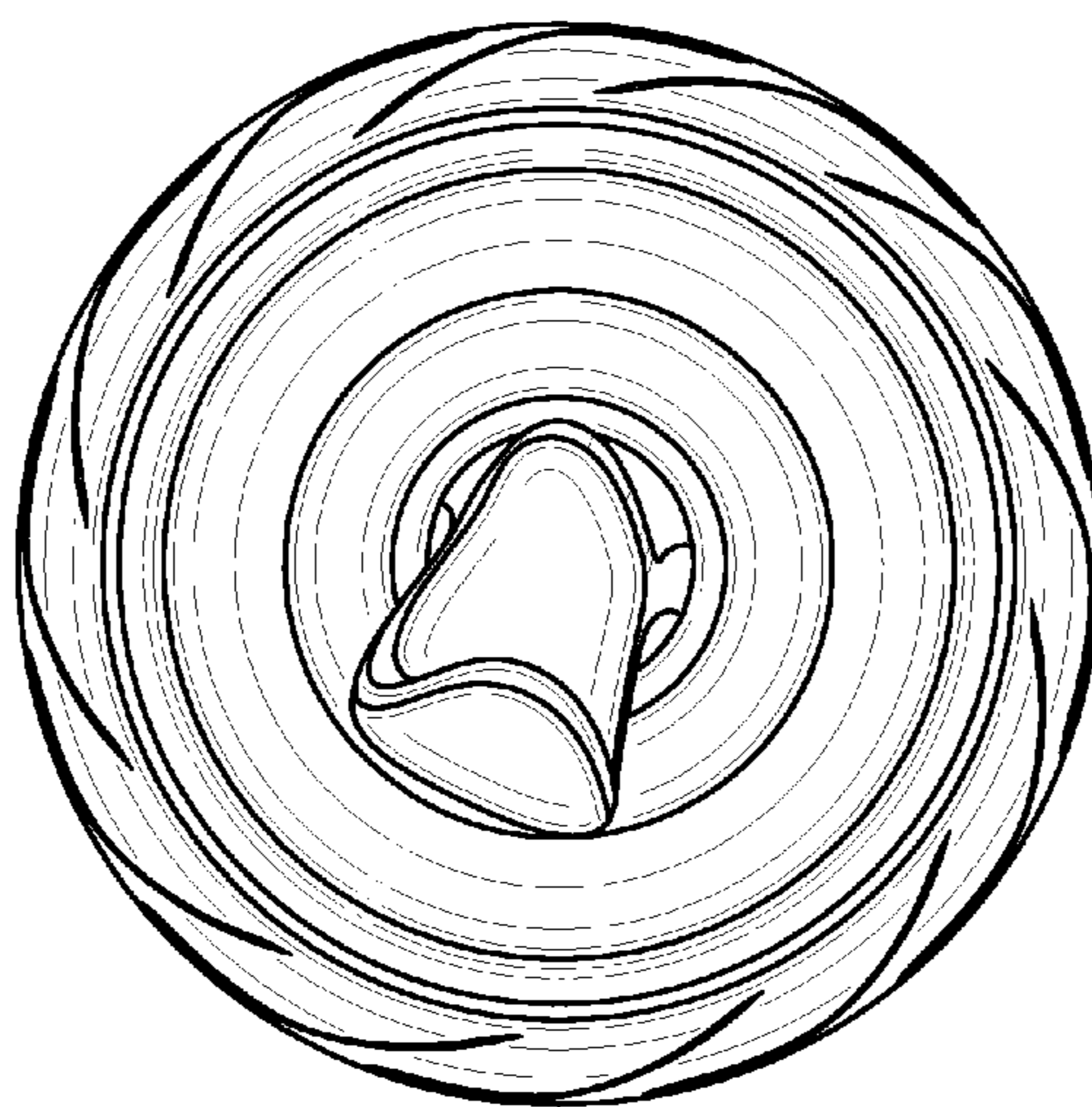


FIG. 7