



US00D669140S

(12) **United States Design Patent**  
**Mimlitch, III et al.**

(10) **Patent No.:** **US D669,140 S**  
(45) **Date of Patent:** **\*\* Oct. 16, 2012**

(54) **ROBOTIC TOY**

(75) Inventors: **Robert H. Mimlitch, III**, Rowlett, TX (US); **David A. Norman**, Greenville, TX (US); **Douglas Galletti**, Allen, TX (US); **Joel Carter**, Argyle, TX (US); **Gregory Lavender**, Rockwall, TX (US); **Gregory Needel**, Rockwall, TX (US)

(73) Assignee: **Innovation First, Inc.**, Greenville, TX (US)

(\*\*) Term: **14 Years**

(21) Appl. No.: **29/396,565**

(22) Filed: **Jul. 1, 2011**

(51) **LOC (9) Cl.** ..... **21-01**

(52) **U.S. Cl.** ..... **D21/650; D21/578**

(58) **Field of Classification Search** ..... D6/596;  
D11/158; D30/160; D21/576, 578-585,  
D21/650; 446/72, 97-98, 268-269, 369,  
446/377

See application file for complete search history.

(56) **References Cited**

**U.S. PATENT DOCUMENTS**

D398,945 S *	9/1998	Russell	.....	D21/650
D435,878 S *	1/2001	Noonan	.....	D21/650
D461,209 S *	8/2002	Hornsby et al.	.....	D21/650
D531,236 S *	10/2006	Ho	.....	D21/650
D555,213 S *	11/2007	Bowen et al.	.....	D21/578
D624,610 S *	9/2010	Wu et al.	.....	D21/578

\* cited by examiner

*Primary Examiner* — Sandra Morris

(74) *Attorney, Agent, or Firm* — Adam K. Sacharoff

(57) **CLAIM**

The ornamental design for a robotic toy, as shown and described.

**DESCRIPTION**

FIG. 1 is a front/right top perspective view showing a first embodiment of the new design;

FIG. 2 is a front/left bottom perspective view of FIG. 1;

FIG. 3 is a front/right bottom perspective view of FIG. 1;

FIG. 4 is a left side view of FIG. 1;

FIG. 5 is a right side view of FIG. 1;

FIG. 6 is a back side view of FIG. 1;

FIG. 7 is a front side view of FIG. 1;

FIG. 8 is a bottom view of FIG. 1;

FIG. 9 is a top view of FIG. 1;

FIG. 10 is a front/right top perspective view showing a second embodiment of the new design;

FIG. 11 is a front/left bottom perspective view of FIG. 10;

FIG. 12 is a front/right bottom perspective view of FIG. 10;

FIG. 13 is a left side view of FIG. 10;

FIG. 14 is a right side view of FIG. 10;

FIG. 15 is a back side view of FIG. 10;

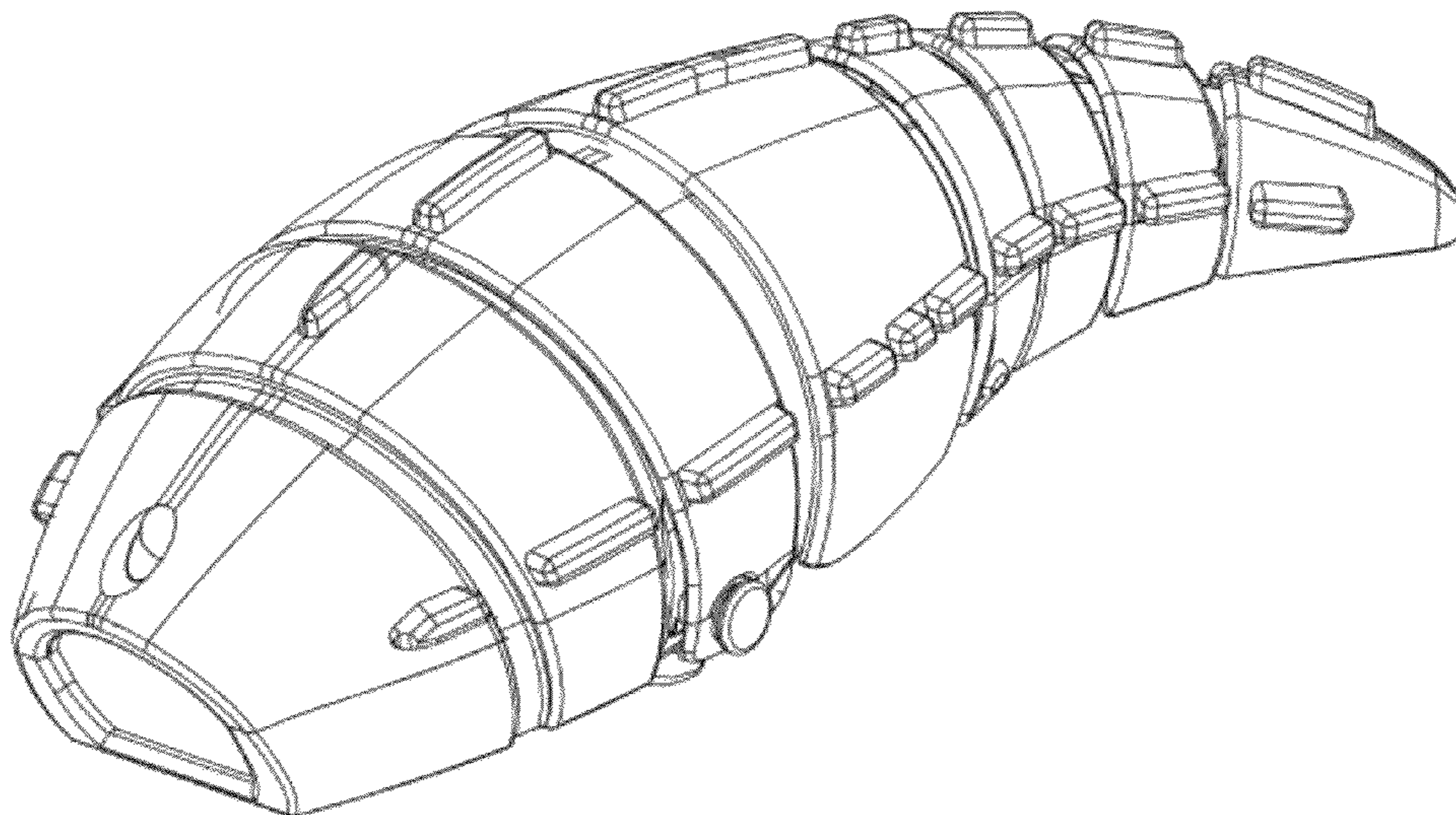
FIG. 16 is a front side view of FIG. 10;

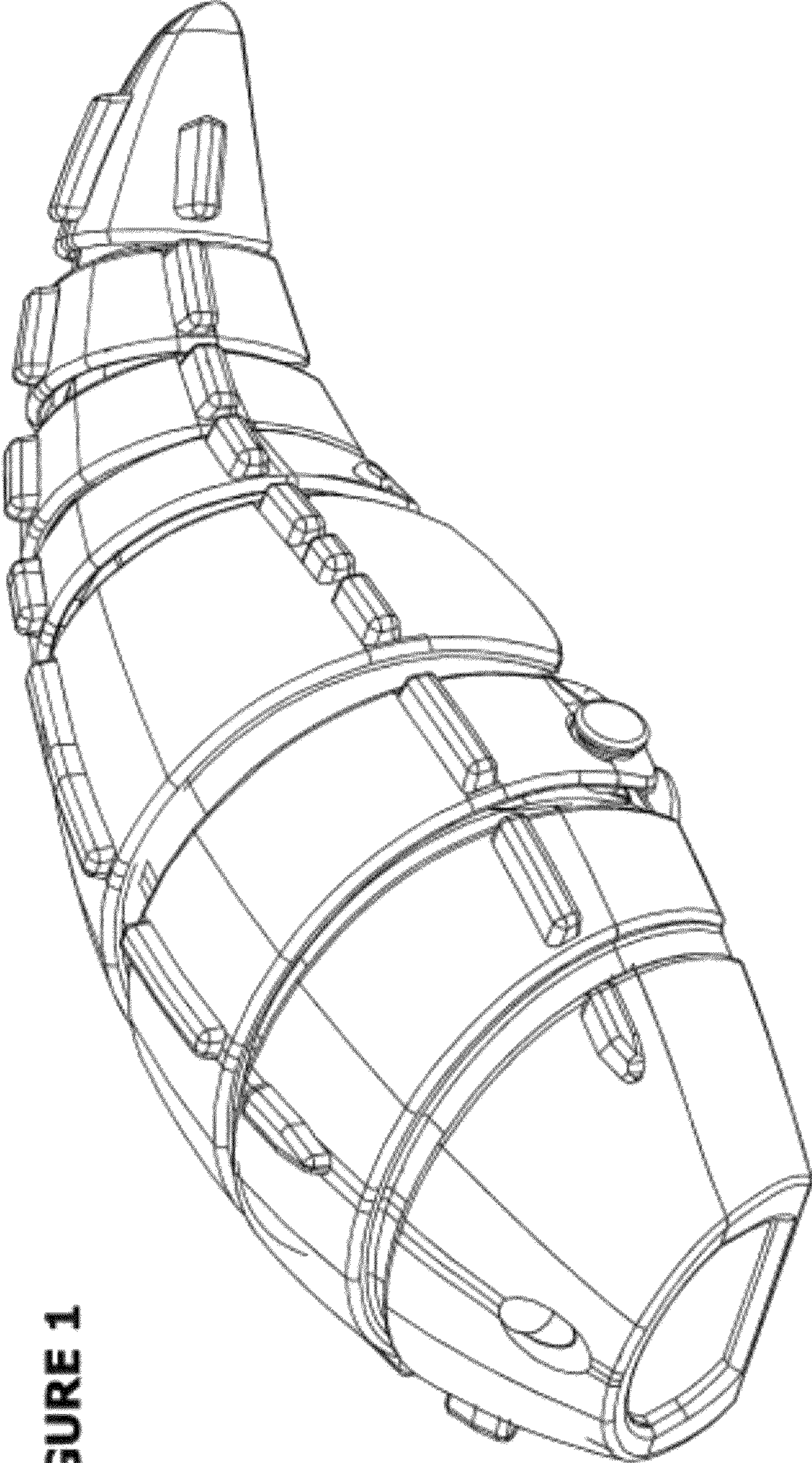
FIG. 17 is a bottom view of FIG. 10; and,

FIG. 18 is a top view of FIG. 10.

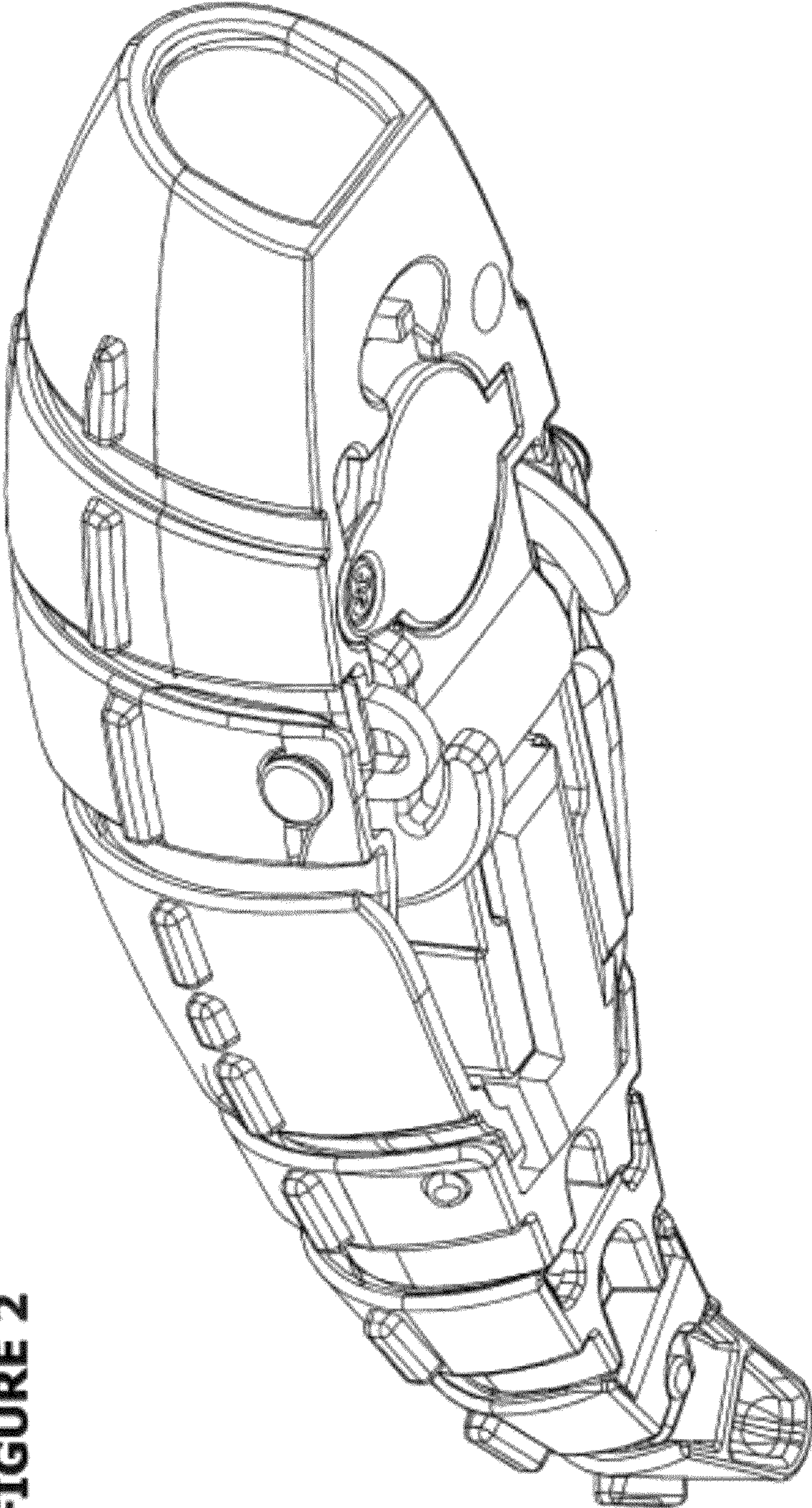
The broken lines are for the purpose of illustrating portions of the environmental structure and forms no part of the claimed design.

**1 Claim, 18 Drawing Sheets**

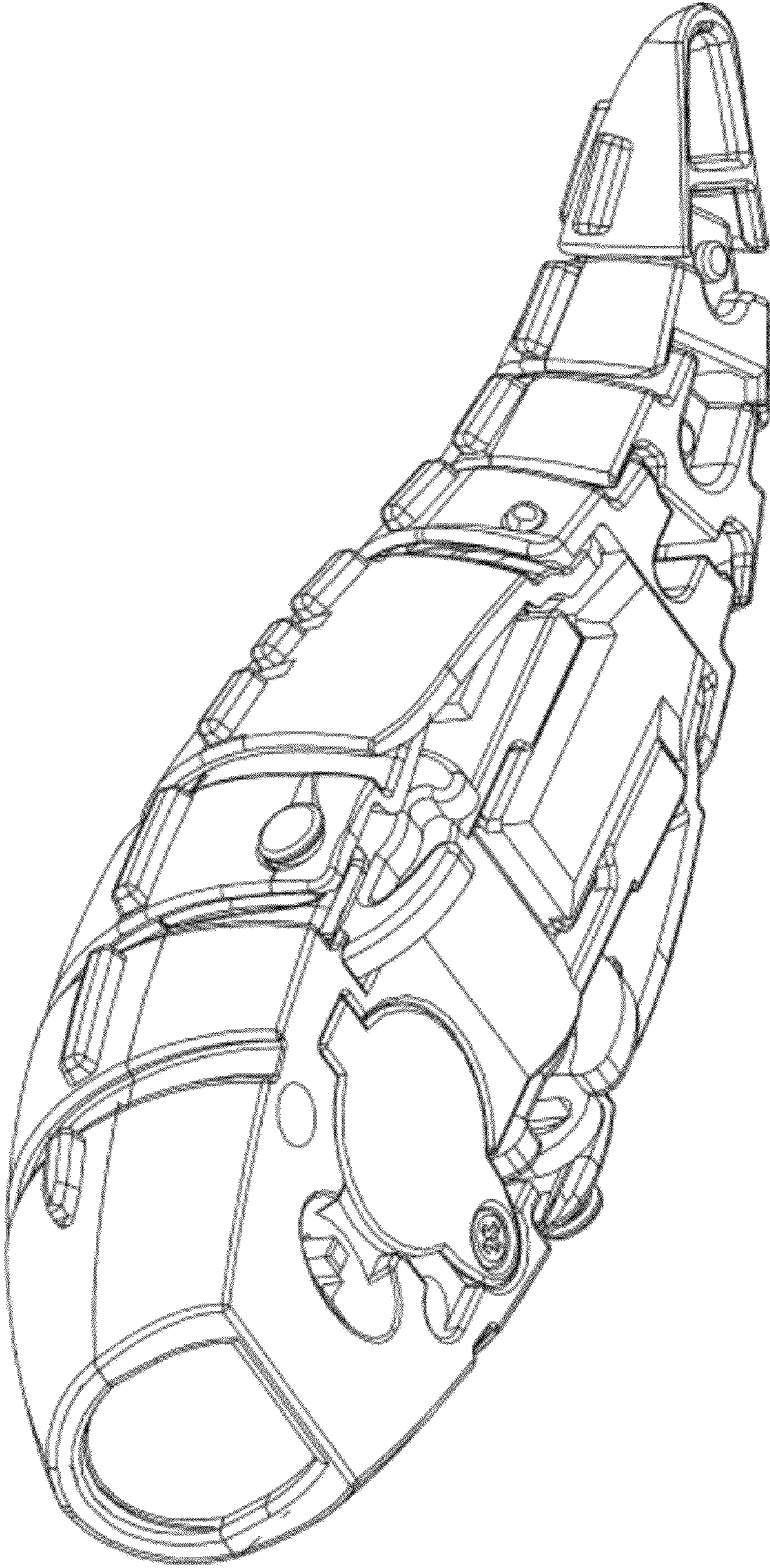




**FIGURE 1**



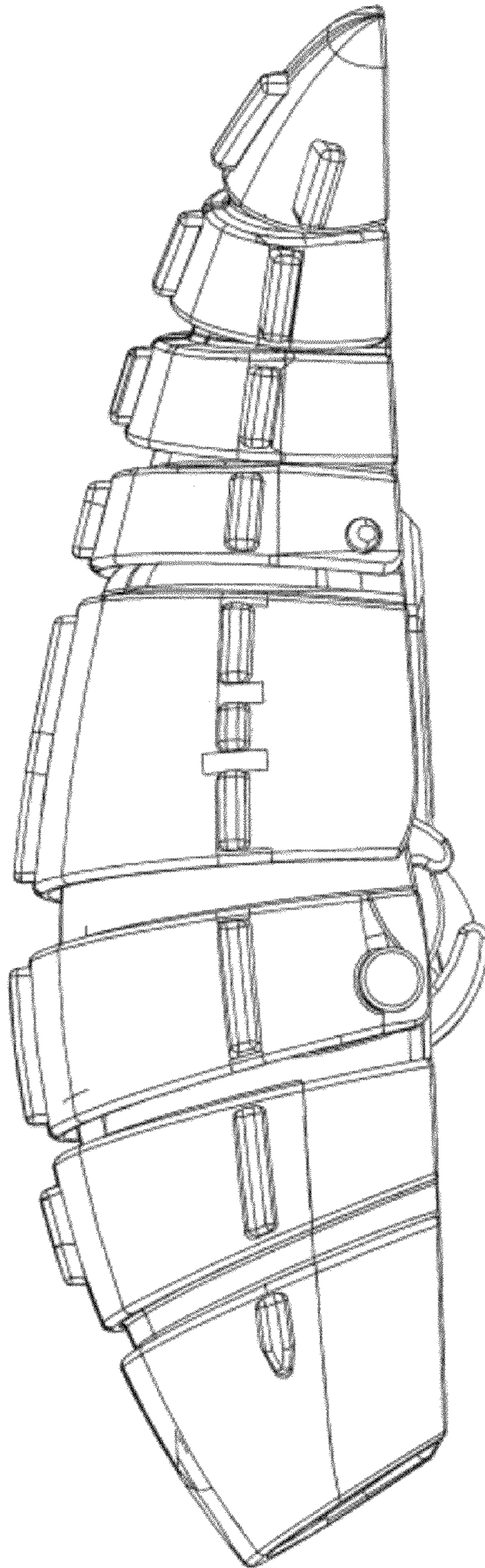
**FIGURE 2**



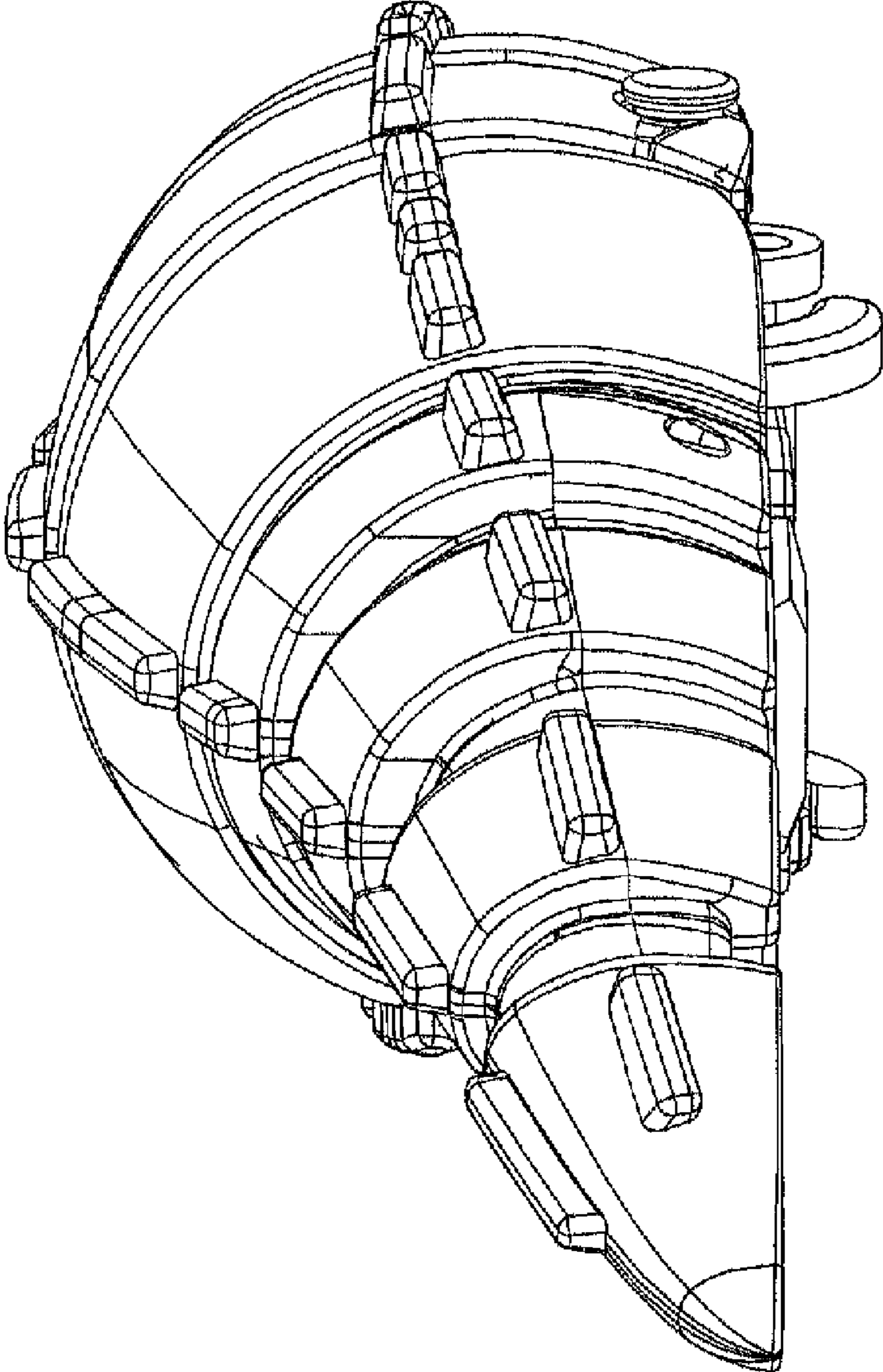
**FIGURE 3**



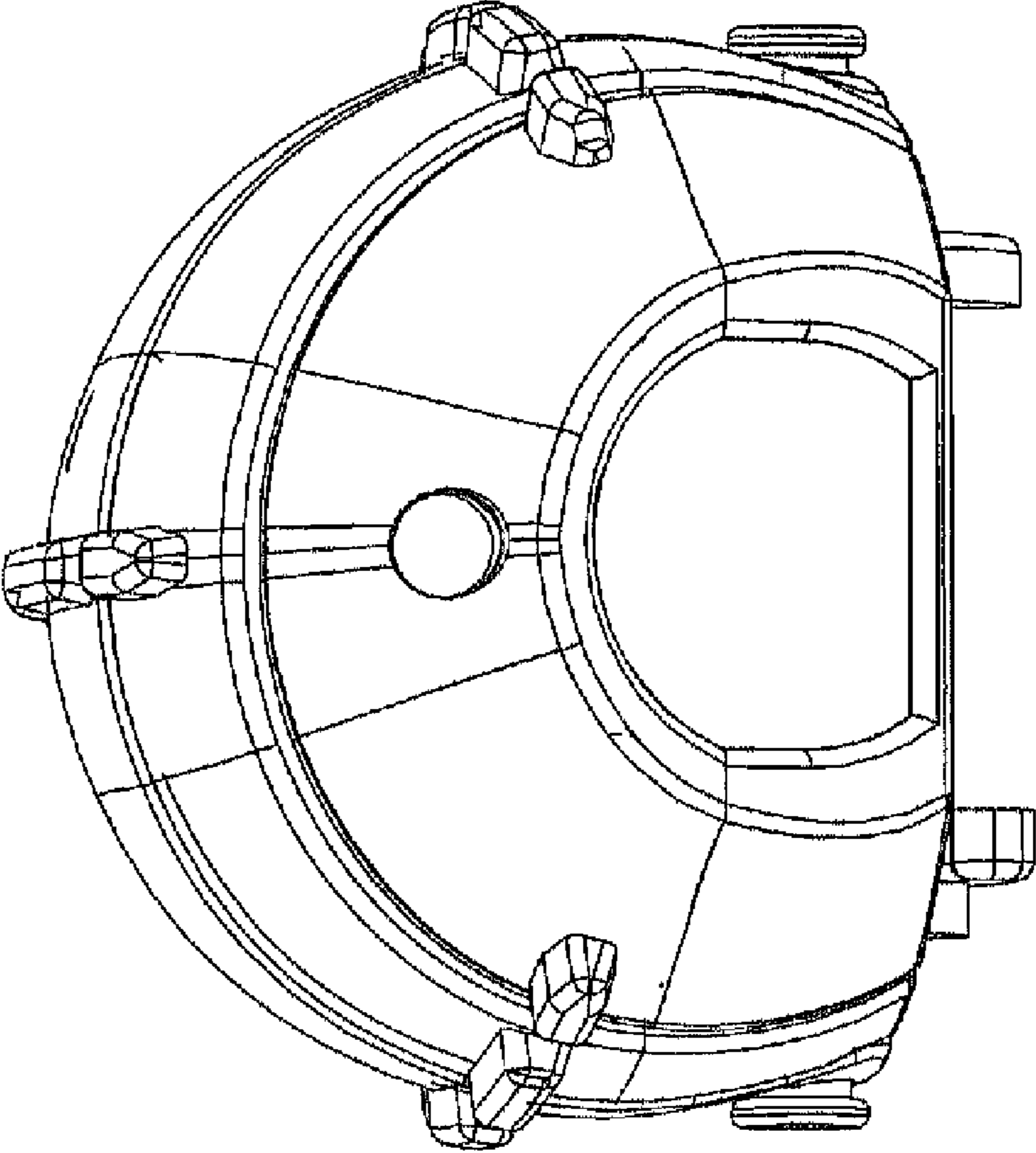
**FIGURE 4**



**FIGURE 5**

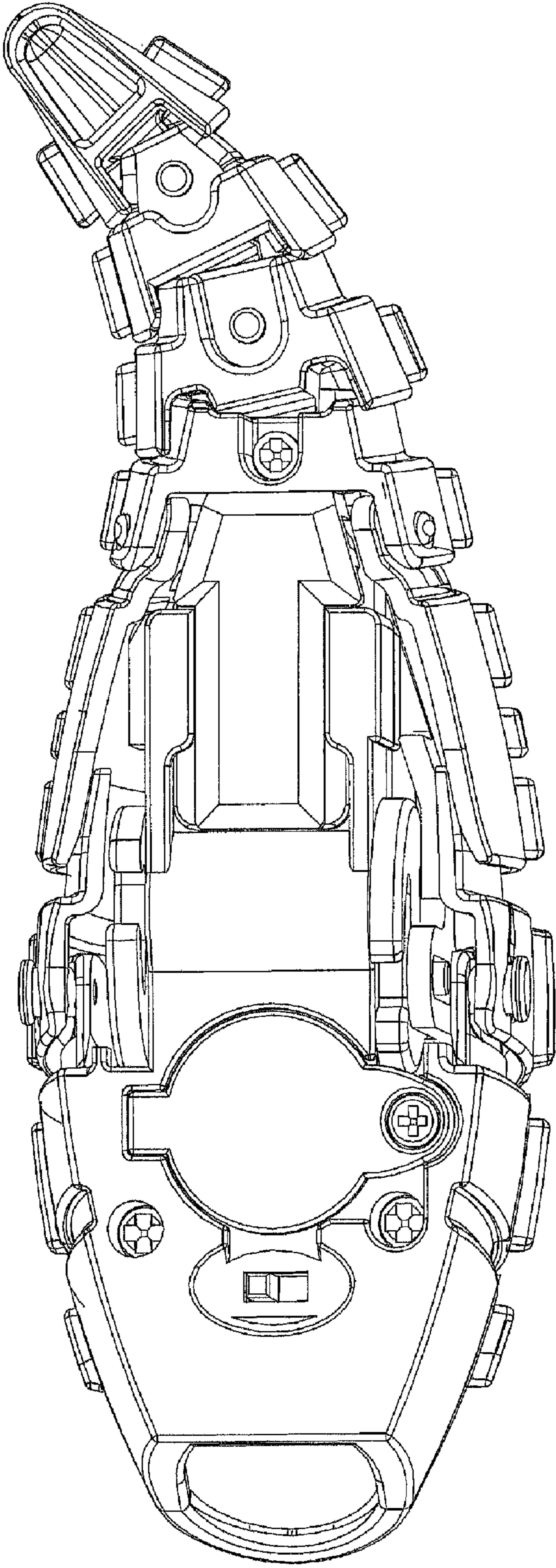


**FIGURE 6**

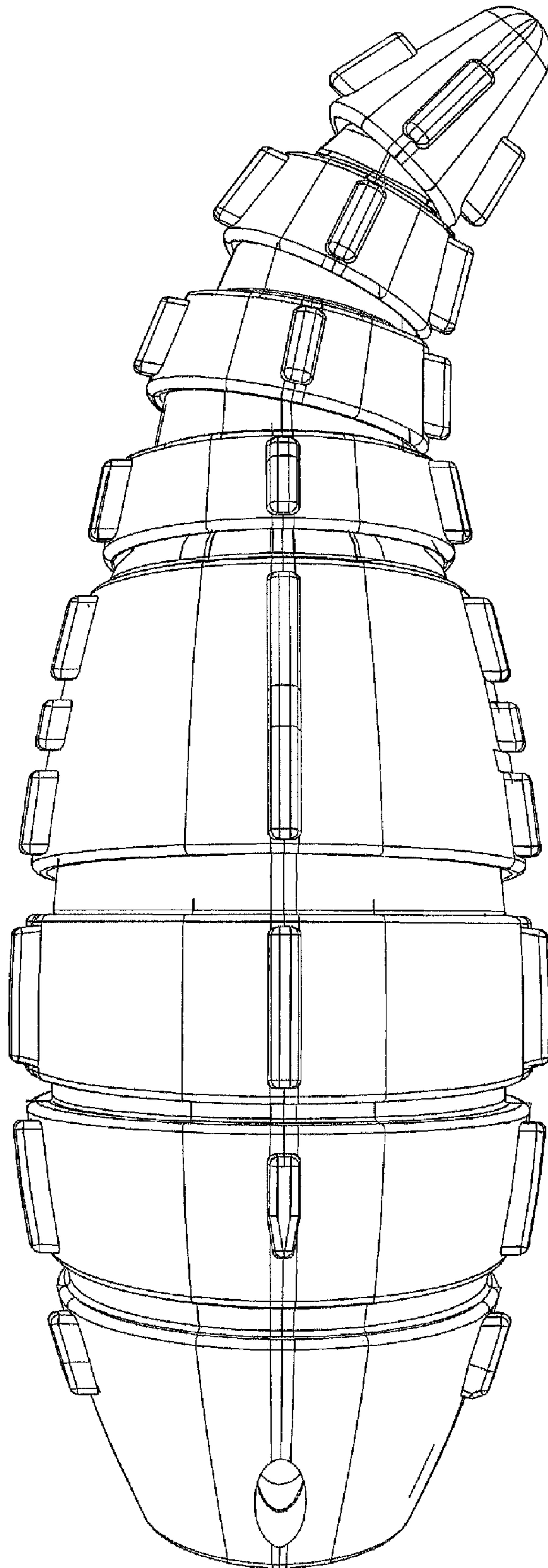


**FIGURE 7**

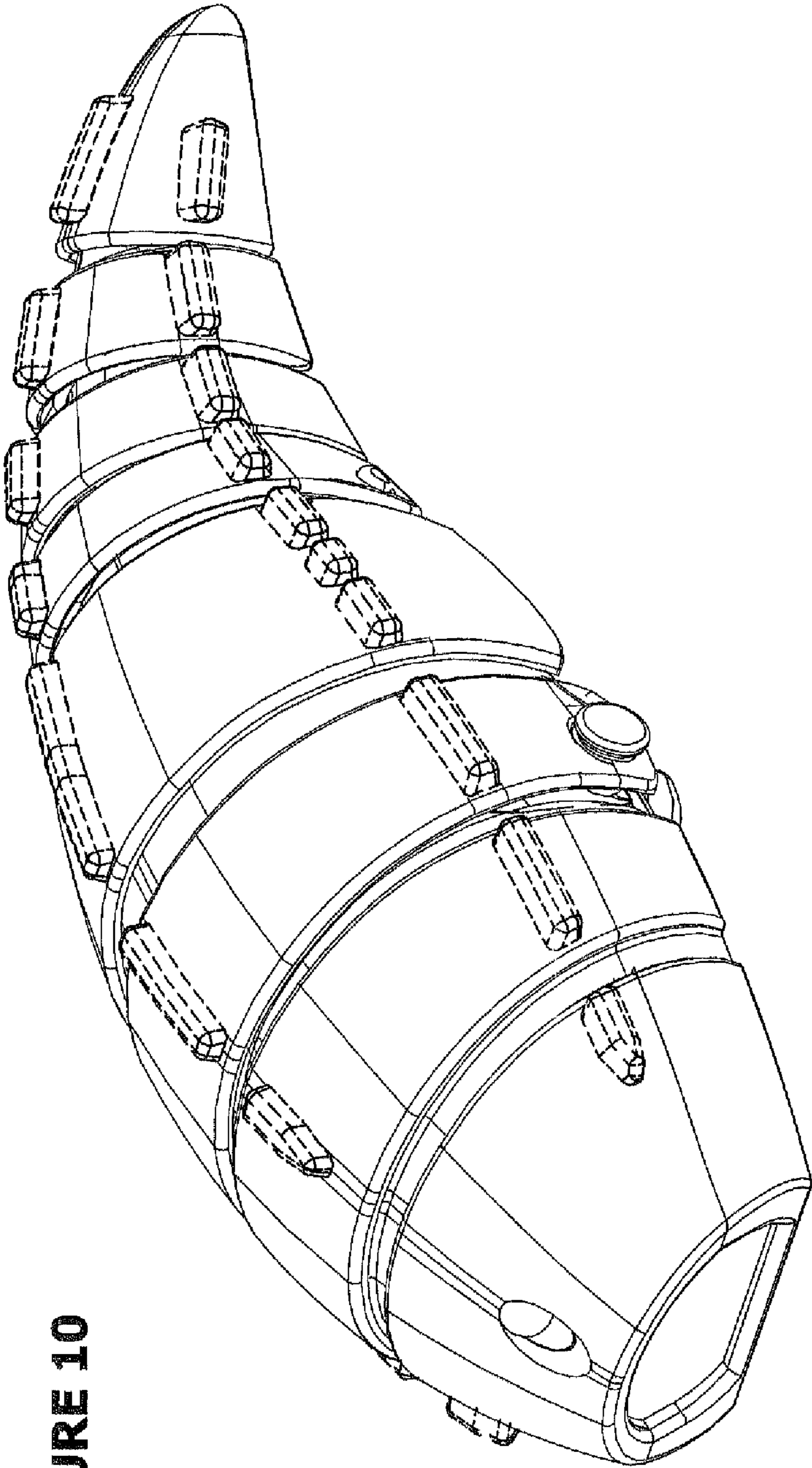




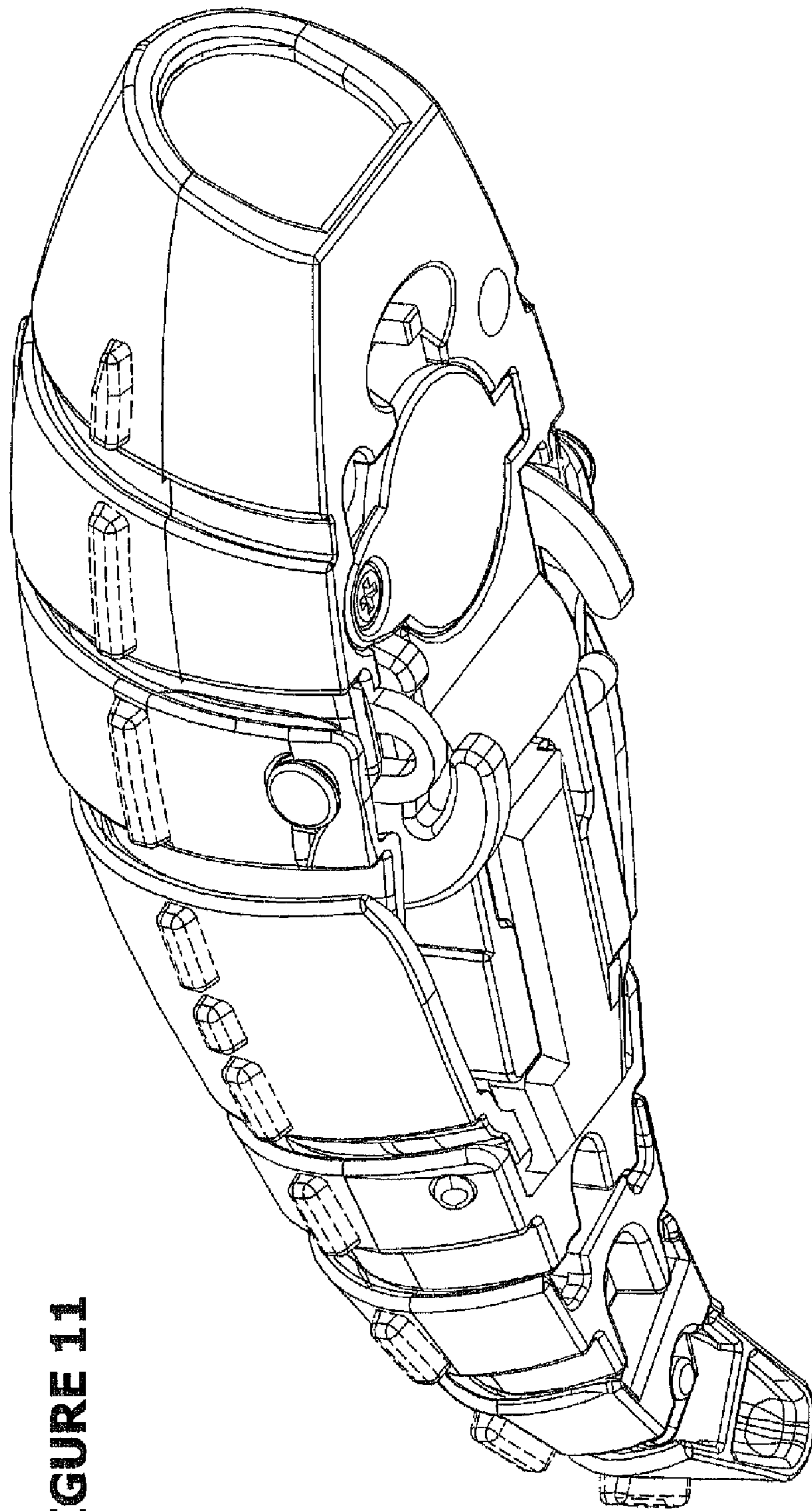
**FIGURE 8**



**FIGURE 9**

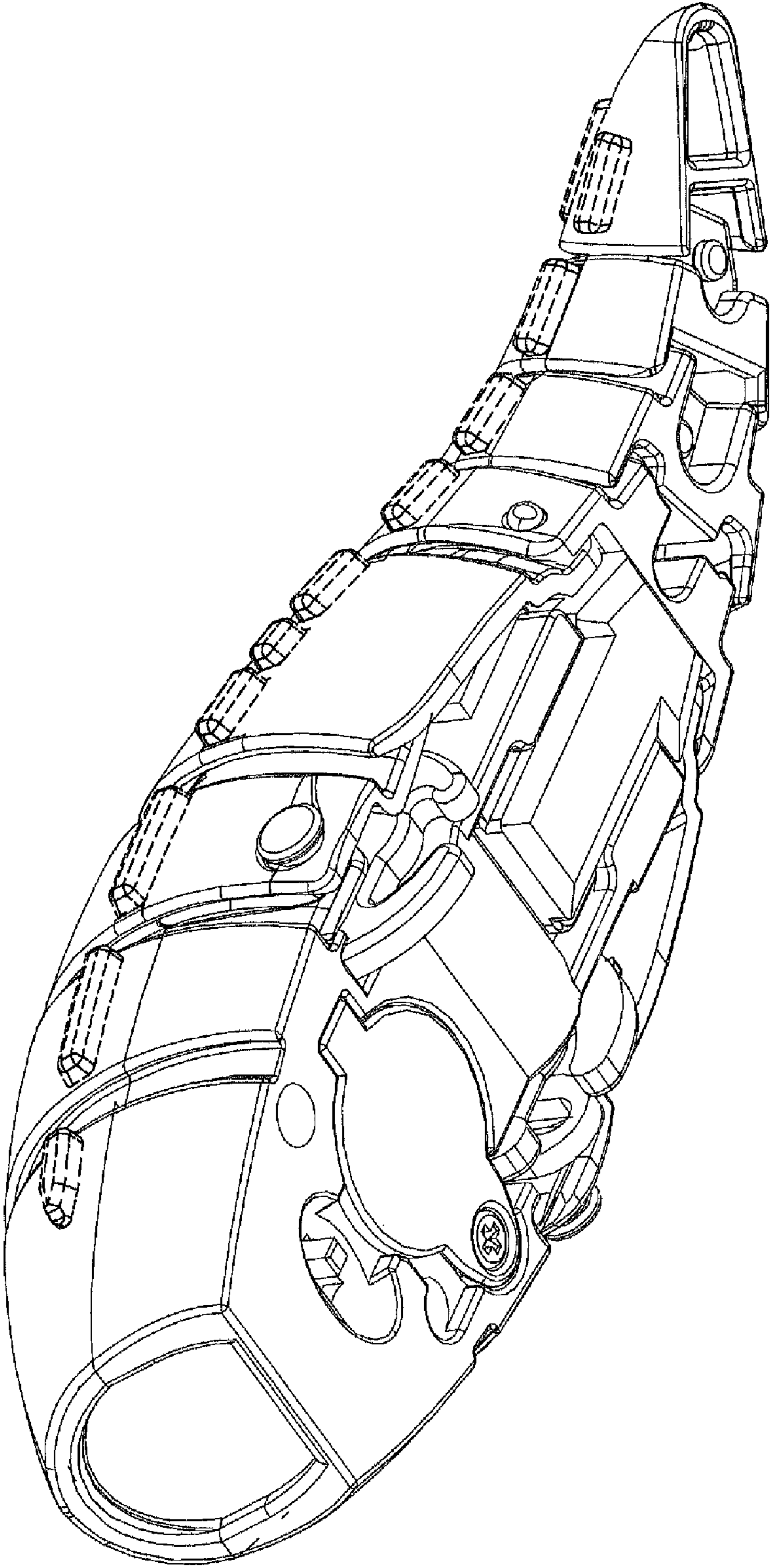


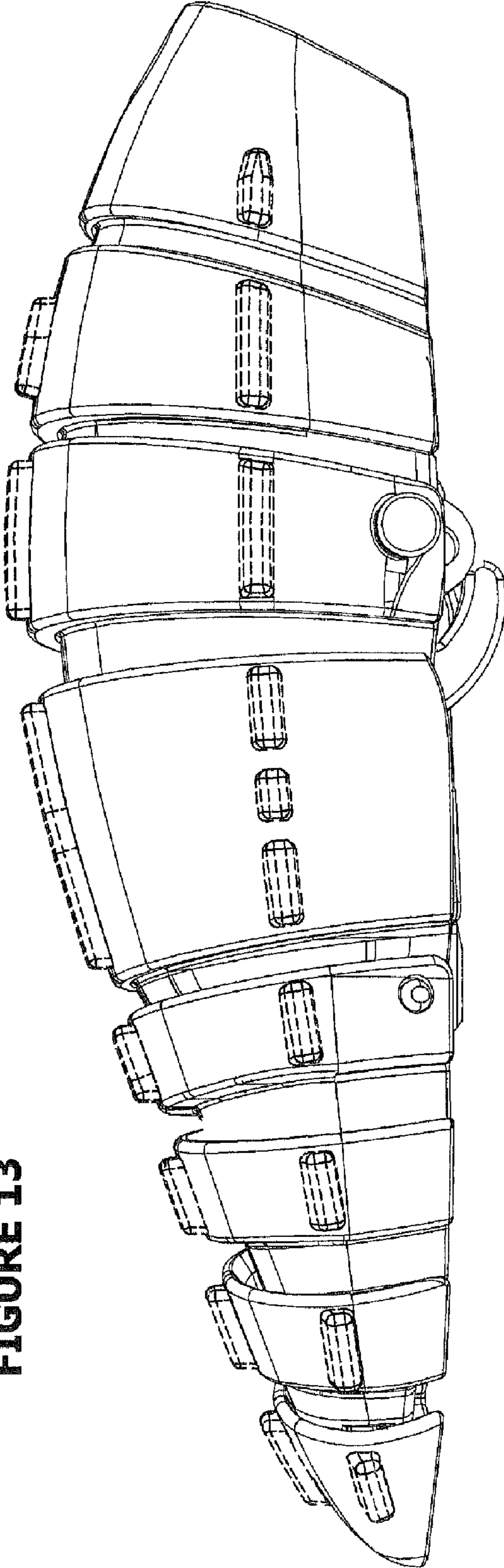
**FIGURE 10**



**FIGURE 11**

**FIGURE 12**





**FIGURE 13**

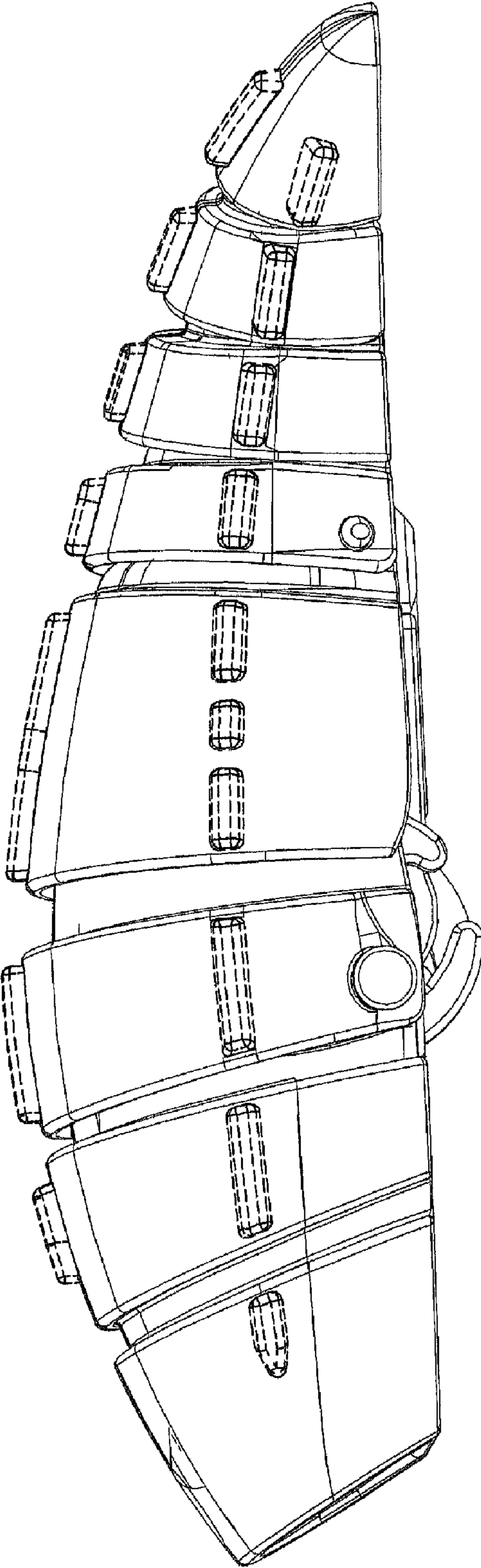
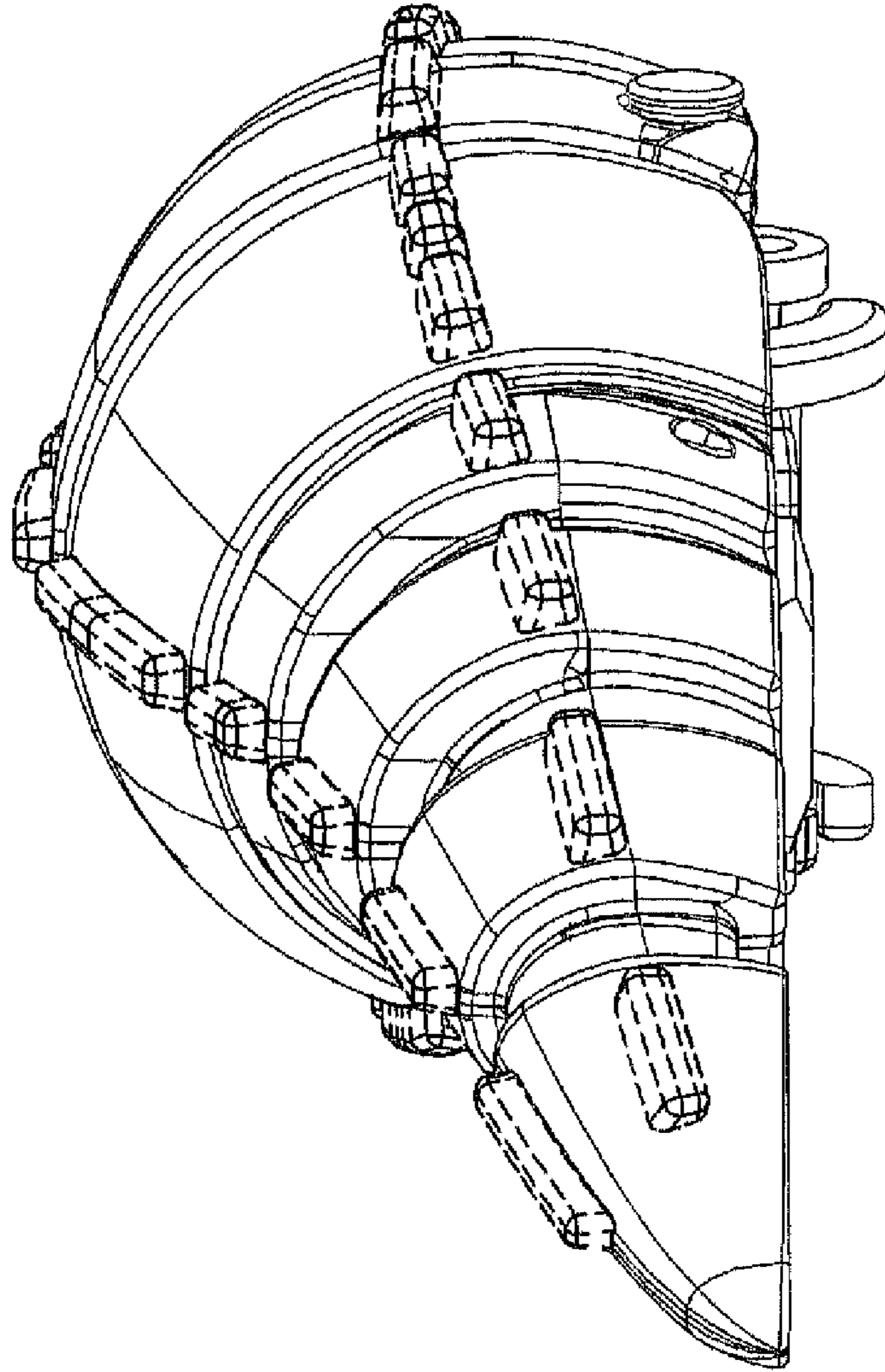
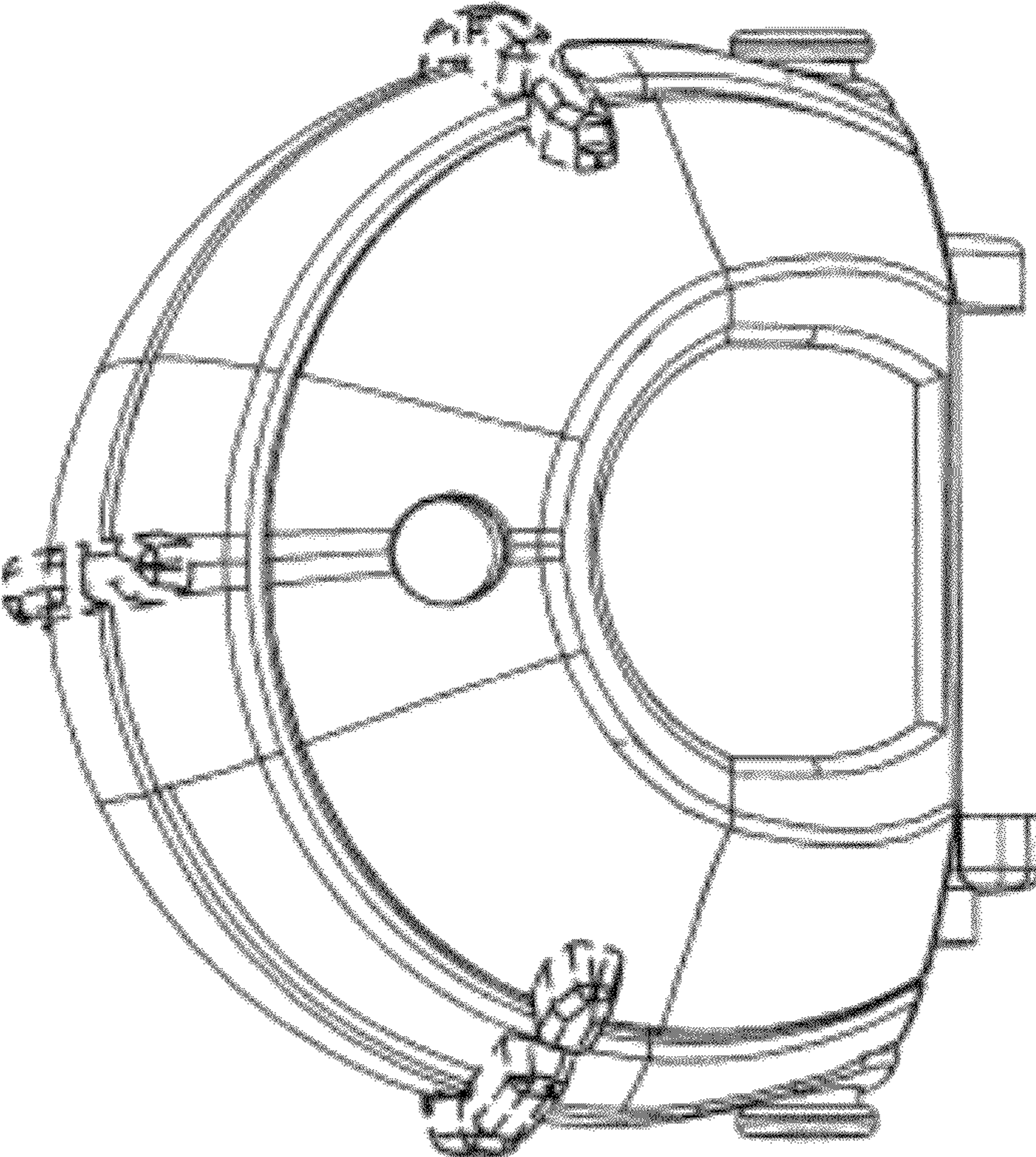


FIGURE 14



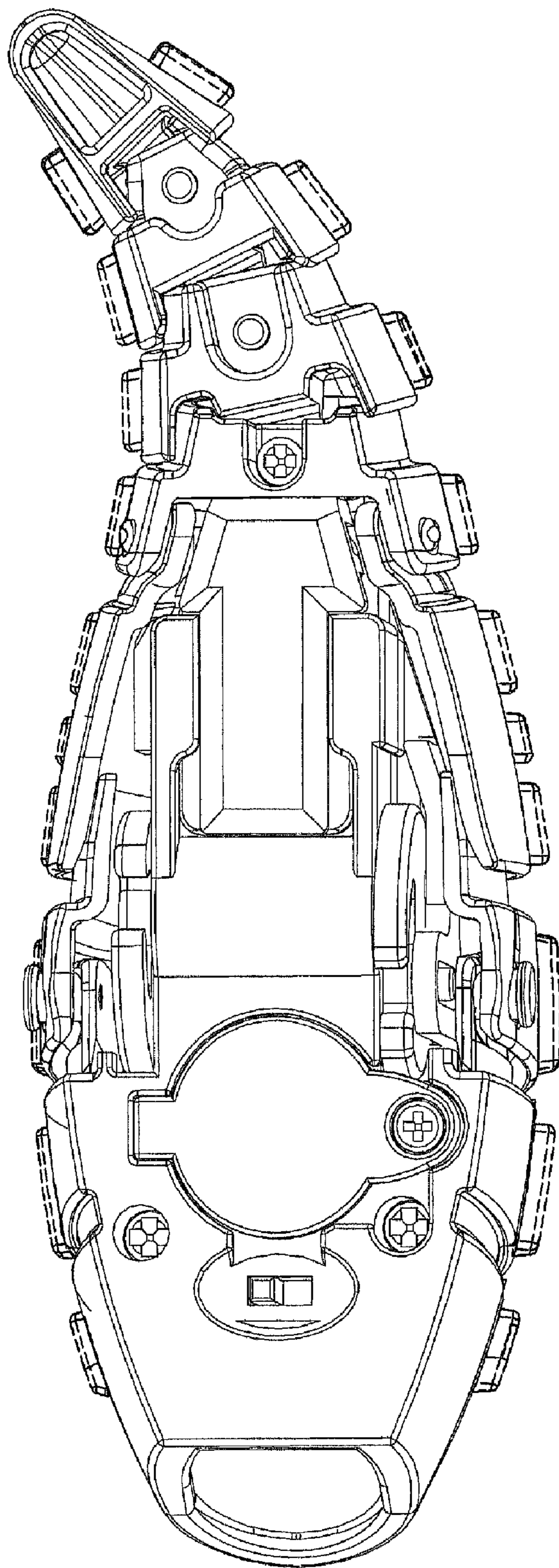
**FIGURE 15**

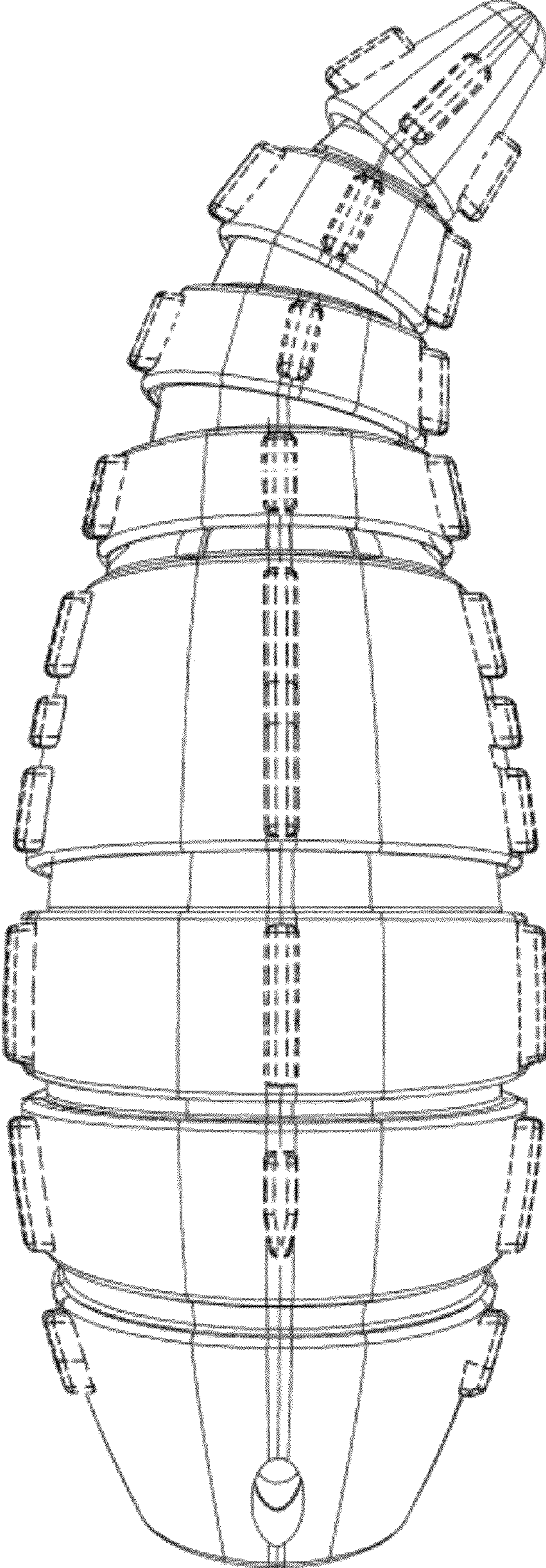




**FIGURE 16**

**FIGURE 17**





**FIGURE 18**