

US00D669136S

(12) **United States Design Patent**  
**Bruegmann**

(10) **Patent No.:** **US D669,136 S**

(45) **Date of Patent:** **\*\* Oct. 16, 2012**

(54) **HINGED LABEL HOLDER FOR WIRE  
SHELVING**

(75) Inventor: **Malte Bruegmann**, Houston, TX (US)

(73) Assignee: **Bruegmann USA, Inc.**, Houston, TX  
(US)

(\*\*) Term: **14 Years**

(21) Appl. No.: **29/416,654**

(22) Filed: **Mar. 26, 2012**

**Related U.S. Application Data**

(62) Division of application No. 29/390,536, filed on Apr. 26, 2011.

(51) **LOC (9) Cl.** ..... **20-03**

(52) **U.S. Cl.** ..... **D20/43**

(58) **Field of Classification Search** ..... D20/10,  
D20/19, 43, 99; 40/625, 642.01, 642.02,  
40/644, 647-655, 657-661, 661.01, 661.03,  
40/661.05-661.08, 661.11; D25/119; 248/223.41,  
248/489

See application file for complete search history.

(56) **References Cited**

**U.S. PATENT DOCUMENTS**

D314,017 S \* 1/1991 Garfinkle ..... D20/43  
D443,311 S \* 6/2001 Wildrick ..... D20/43

D461,507 S \* 8/2002 Nagel ..... D20/43  
6,470,613 B1 \* 10/2002 Wildrick ..... 40/661.03  
D470,893 S \* 2/2003 Valiulis et al. .... D20/44  
D479,278 S \* 9/2003 Nagel ..... D20/43  
D531,227 S \* 10/2006 Mueller et al. .... D20/44  
D546,892 S \* 7/2007 Bruegmann ..... D20/44  
7,325,348 B2 \* 2/2008 Mueller et al. .... 40/649  
7,699,286 B2 \* 4/2010 Brinkman et al. .... 248/489  
D650,019 S \* 12/2011 Stuke ..... D20/44  
2005/0210726 A1 \* 9/2005 Fast ..... 40/661.03  
2009/0056190 A1 \* 3/2009 Mueller et al. .... 40/661.03

\* cited by examiner

*Primary Examiner* — Mary Ann Calabrese

(74) *Attorney, Agent, or Firm* — Richard A. Fagin

(57) **CLAIM**

The ornamental design for a hinged label holder for wire shelving, as shown and described.

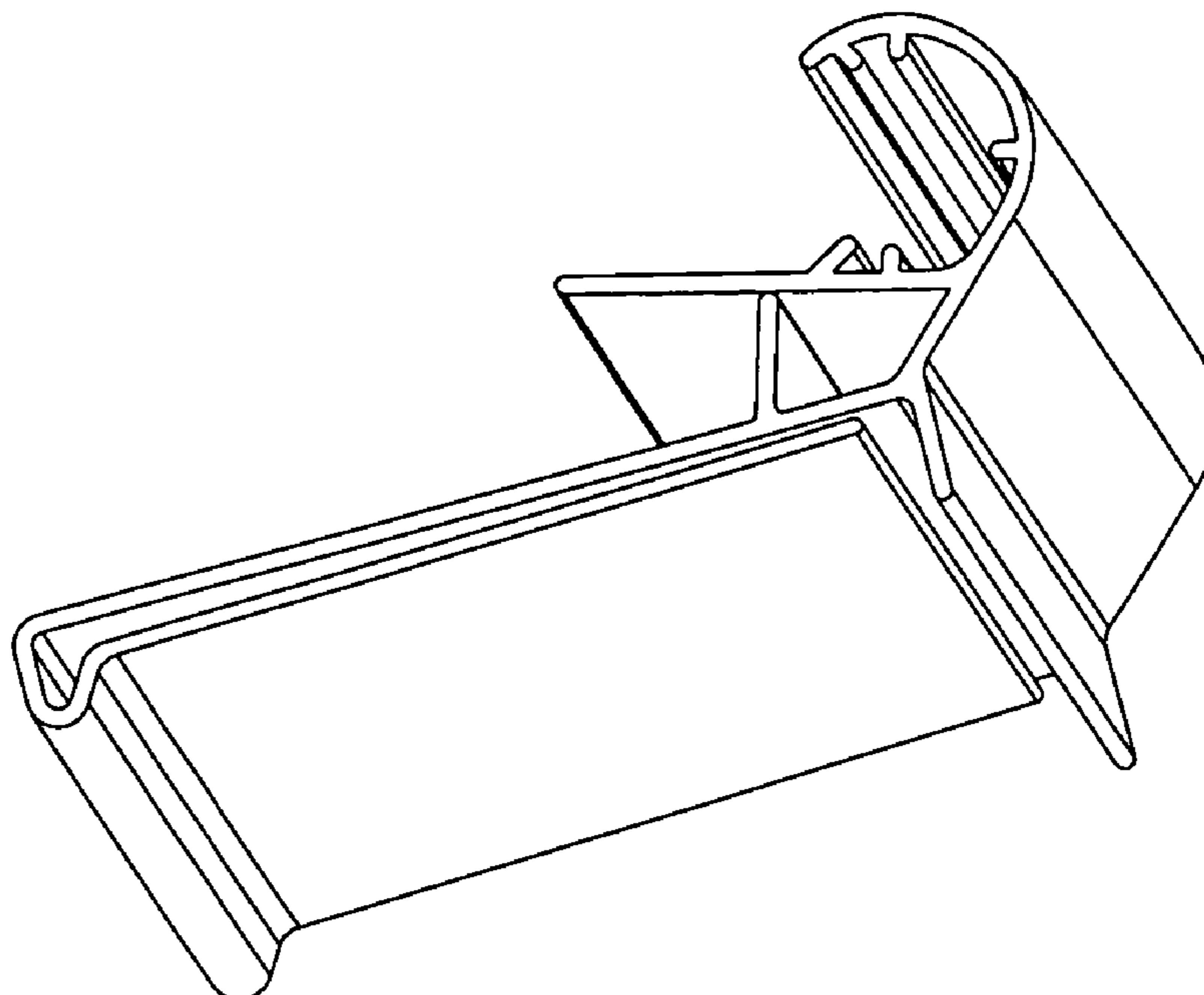
**DESCRIPTION**

FIG. 1 is an oblique view of the hinged label holder for wire shelving showing in the foreground the portion where a label is affixed.

FIG. 2 is an oblique view of the hinged label holder for wire shelving from a direction opposite to the view shown in FIG. 1; and,

FIG. 3 is a side view of the hinged label holder for wire shelving.

**1 Claim, 1 Drawing Sheet**



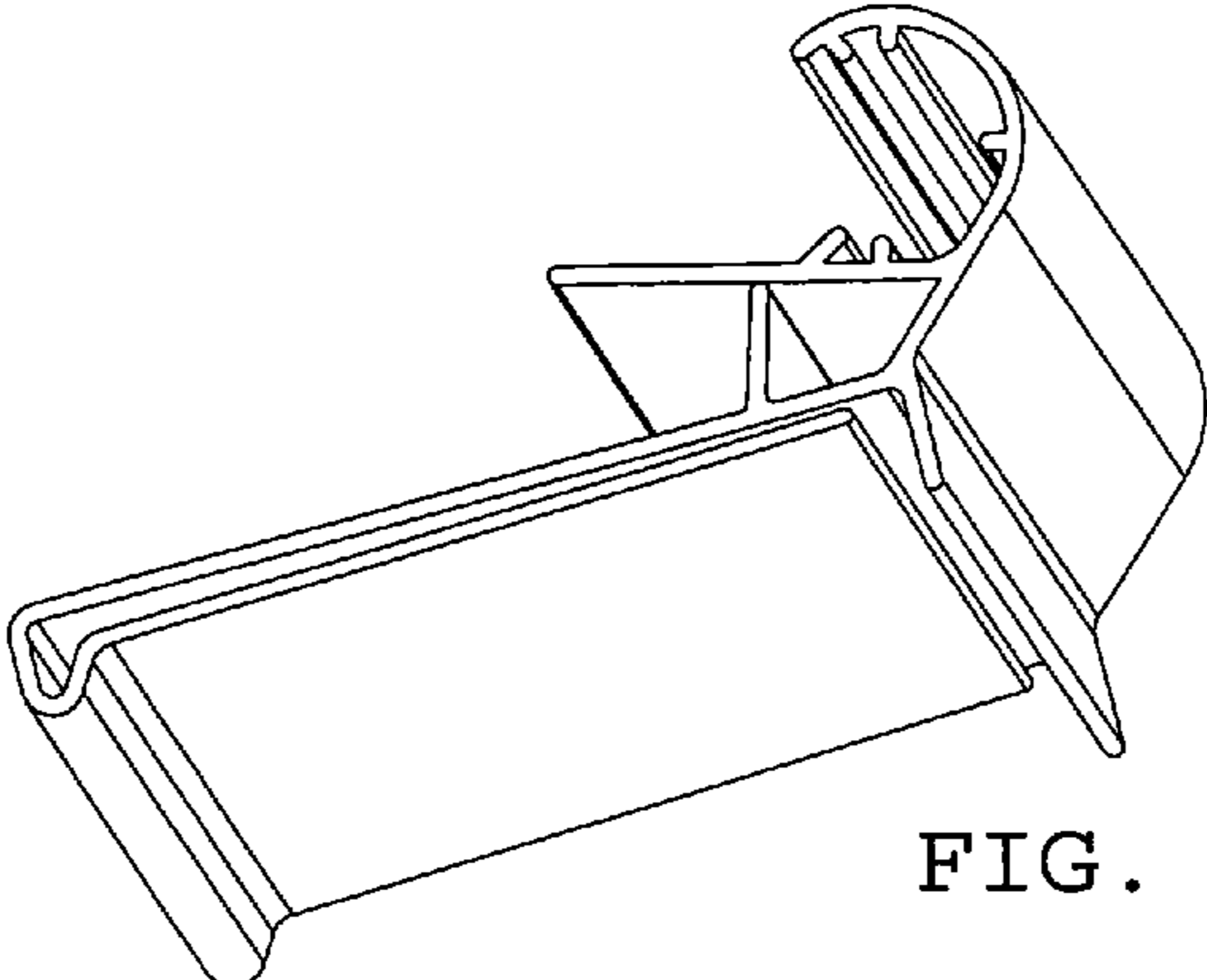


FIG. 1

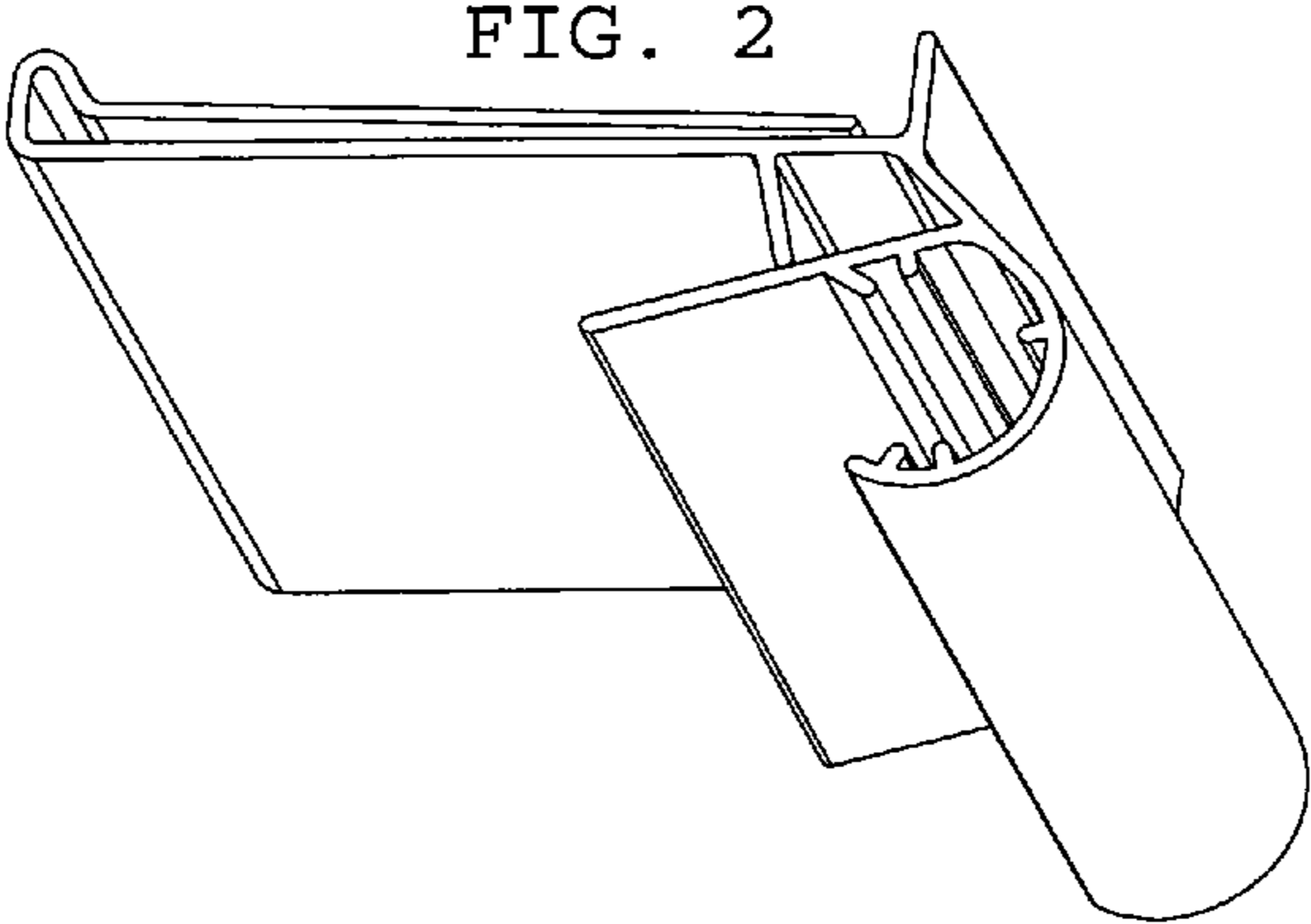


FIG. 2

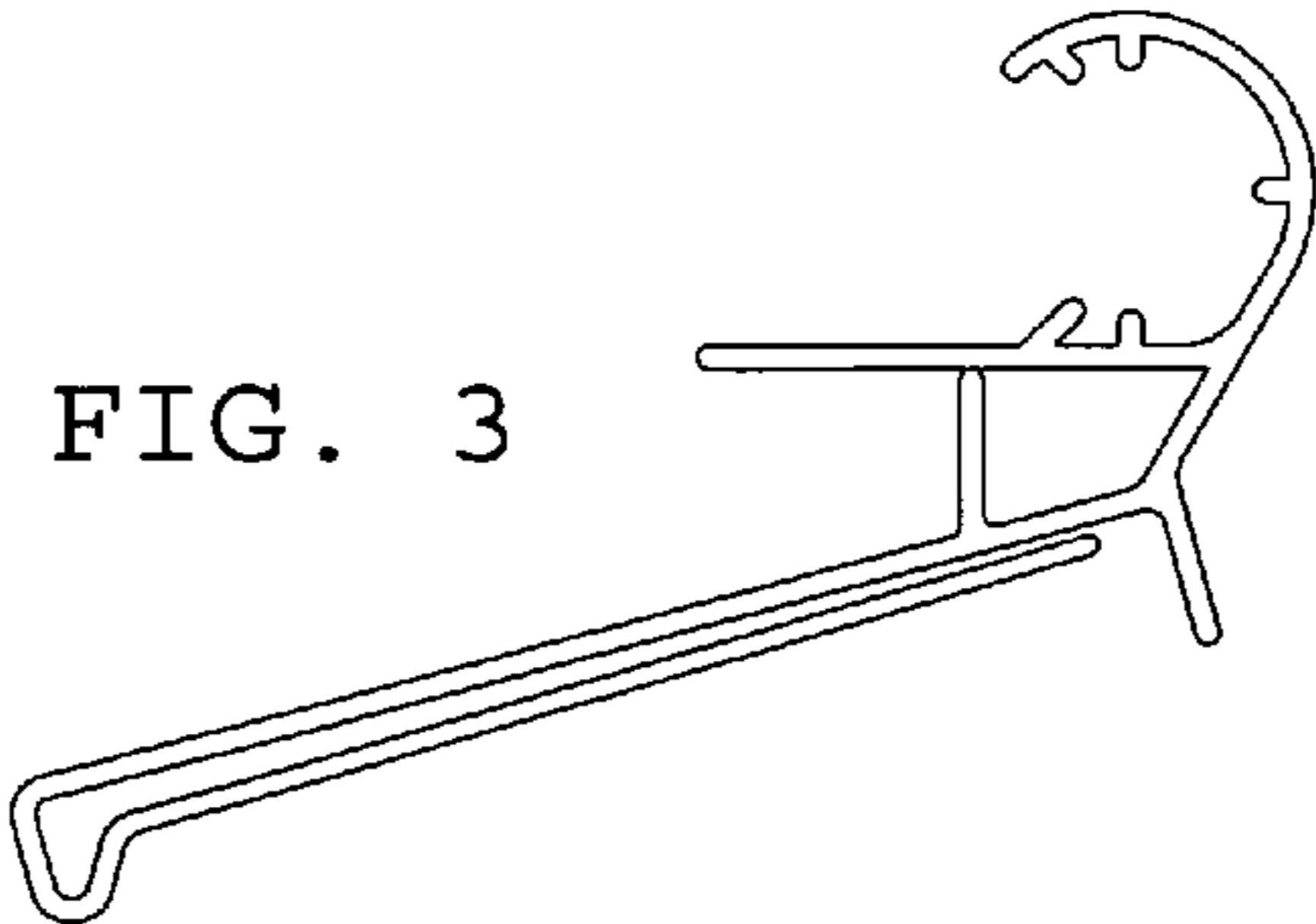


FIG. 3