



US00D669135S

(12) **United States Design Patent**
Garfinkle

(10) **Patent No.:** **US D669,135 S**

(45) **Date of Patent:** **** Oct. 16, 2012**

(54) **SIGN SYSTEM ADAPTOR**

(56) **References Cited**

(76) Inventor: **Benjamin L. Garfinkle**, Piedmont, CA
(US)

U.S. PATENT DOCUMENTS

(**) Term: **14 Years**

D208,105	S	*	7/1967	Haber	D20/43
D280,111	S	*	8/1985	Brus	D20/43
5,642,557	A	*	7/1997	Clews	24/339
D432,404	S	*	10/2000	Garfinkle	D8/395
D447,518	S	*	9/2001	Lau	D20/43
D454,373	S	*	3/2002	Kosir	D20/44
D454,593	S	*	3/2002	Kosir	D20/44
6,430,782	B1	*	8/2002	Torres et al.	24/3.1
D479,798	S	*	9/2003	Wall	D8/382
D487,115	S	*	2/2004	Kosir	D20/43

(21) Appl. No.: **29/413,978**

(22) Filed: **Feb. 23, 2012**

* cited by examiner

Related U.S. Application Data

(60) Continuation-in-part of application No. 12/057,127, filed on Mar. 27, 2008, now abandoned, which is a continuation-in-part of application No. 10/147,669, filed on Jul. 22, 2002, which is a division of application No. 09/684,726, filed on Oct. 6, 2000, now Pat. No. 6,530,166.

Primary Examiner — Mary Ann Calabrese
(74) *Attorney, Agent, or Firm* — Bay Area Technology Law Group PC

(51) **LOC (9) Cl.** **20-03**

(52) **U.S. Cl.** **D20/43**

(57) **CLAIM**
The ornamental design for a sign system adaptor, as shown and described.

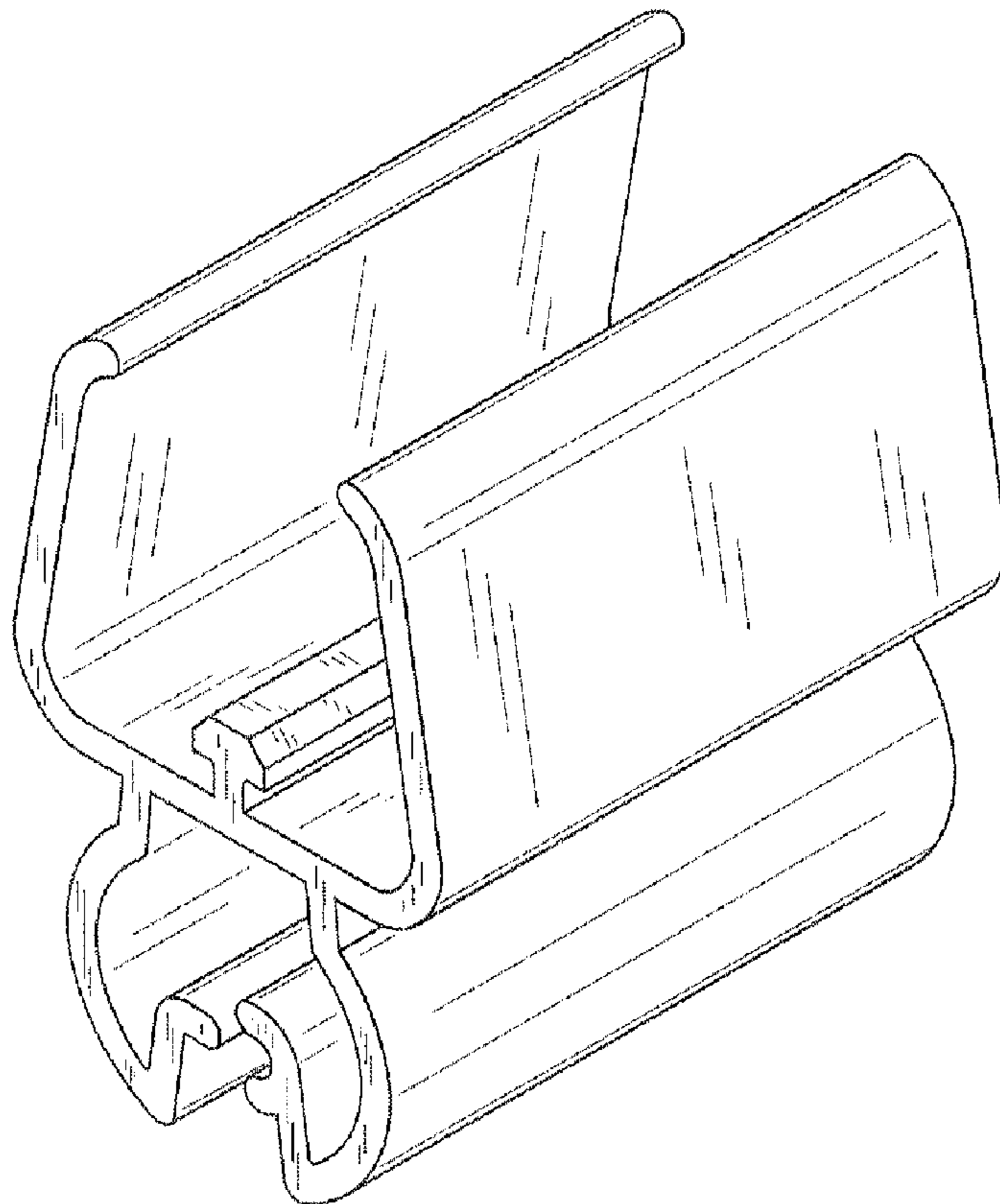
(58) **Field of Classification Search** D20/19,
D20/43, 44, 99; 40/641.01, 641.02, 647-655,
40/657-661, 661.03, 661.05-661.07, 661.11;
D8/382, 395; D25/119; 24/3.1, 339

DESCRIPTION

See application file for complete search history.

FIG. 1 is a perspective view of a sign system adaptor showing my new design;
FIG. 2 is a left side view of FIG. 1;
FIG. 3 is a front view of FIG. 1;
FIG. 4 is a top plan view of FIG. 1; and,
FIG. 5 is a bottom plan view of FIG. 1.

1 Claim, 2 Drawing Sheets



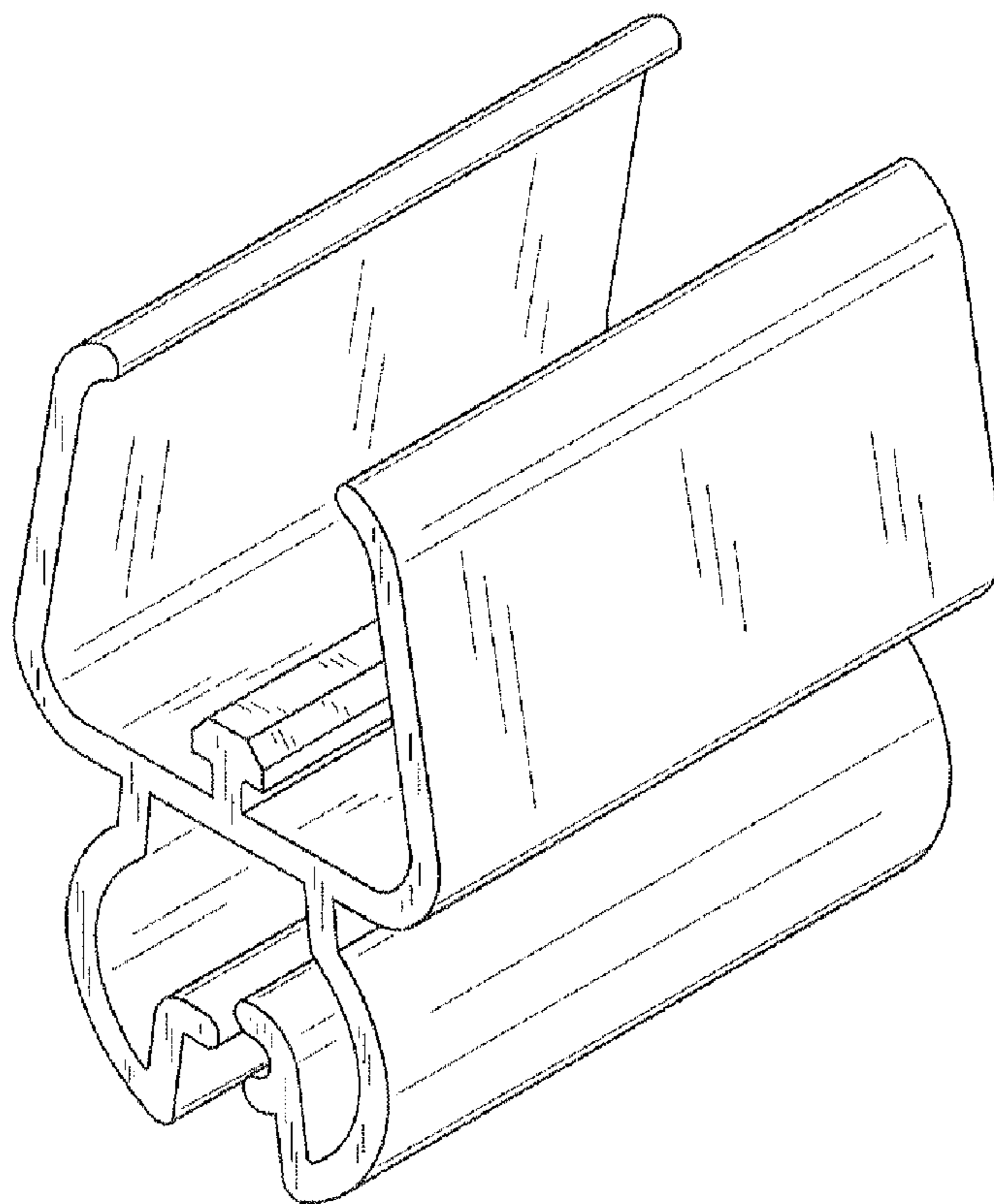


FIG. 1

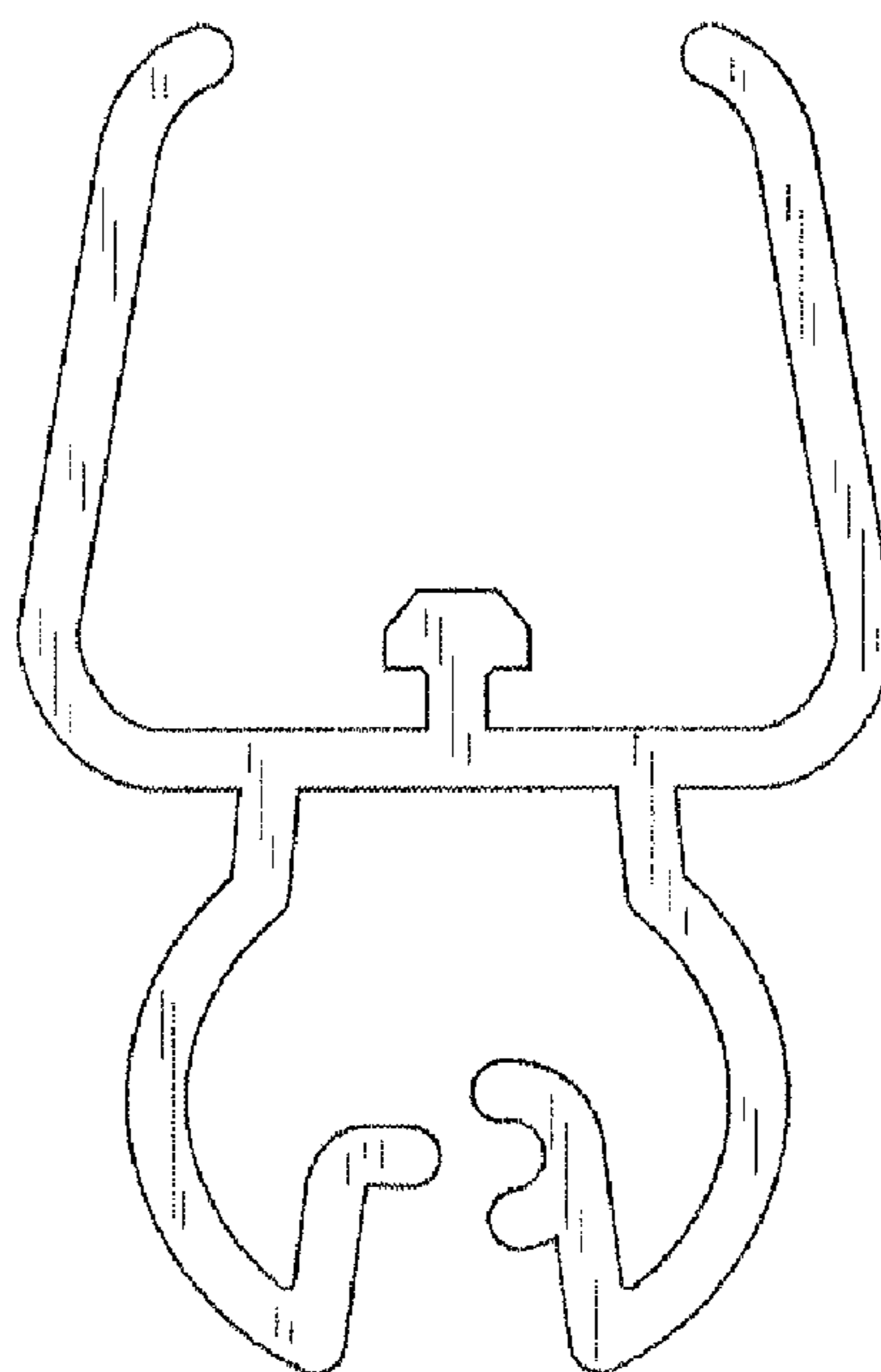


FIG. 2

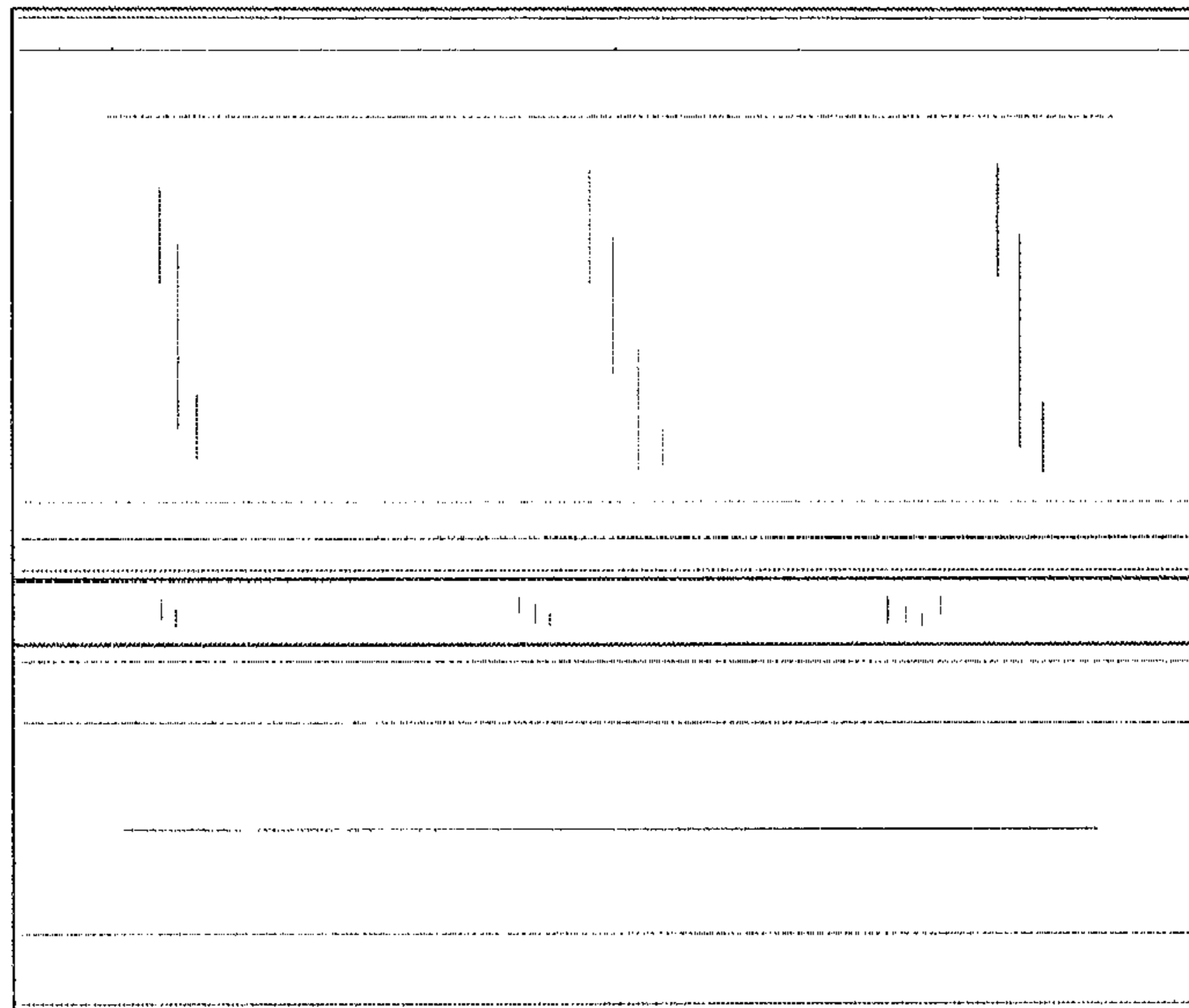


FIG. 3

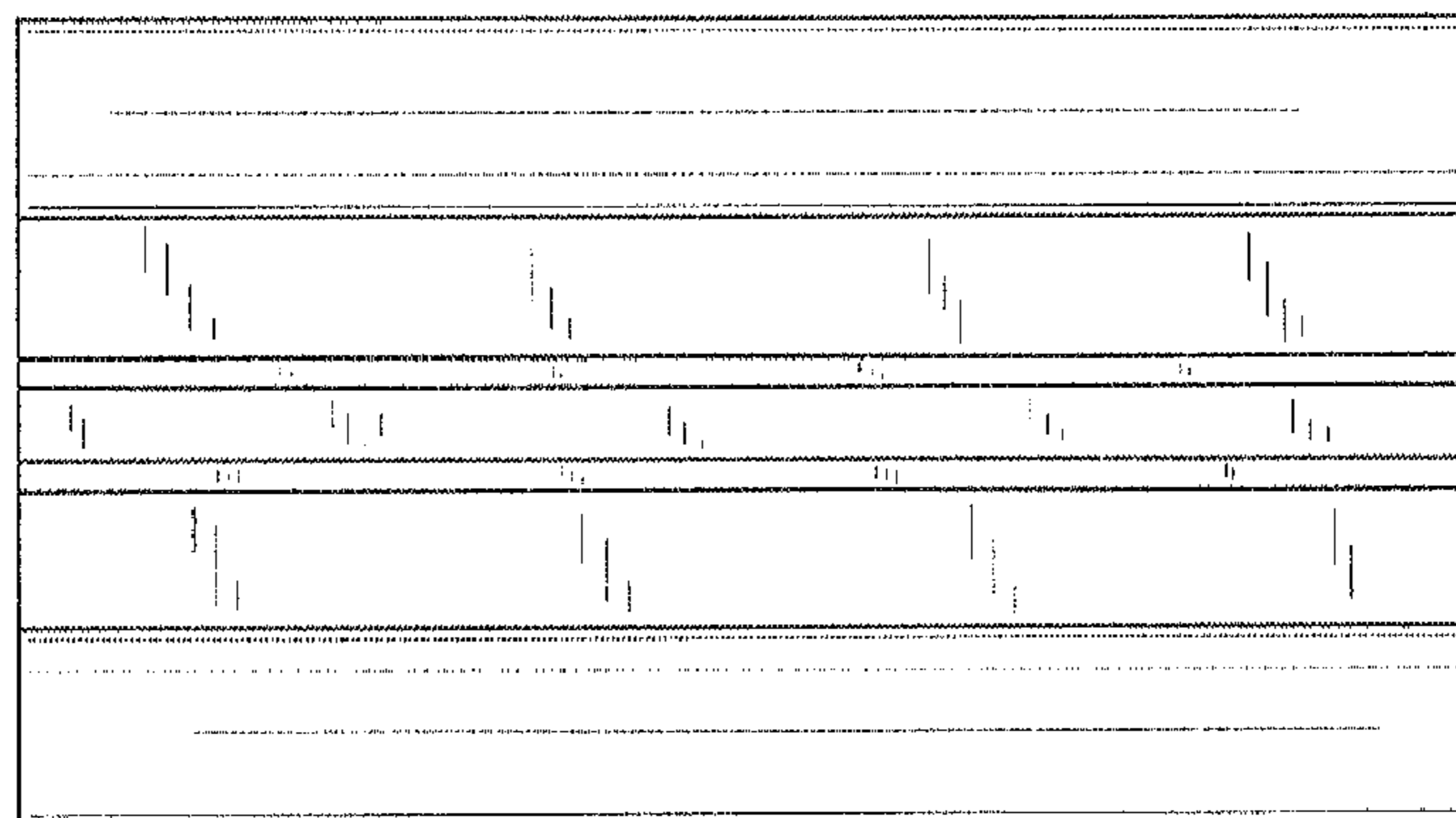


FIG. 4

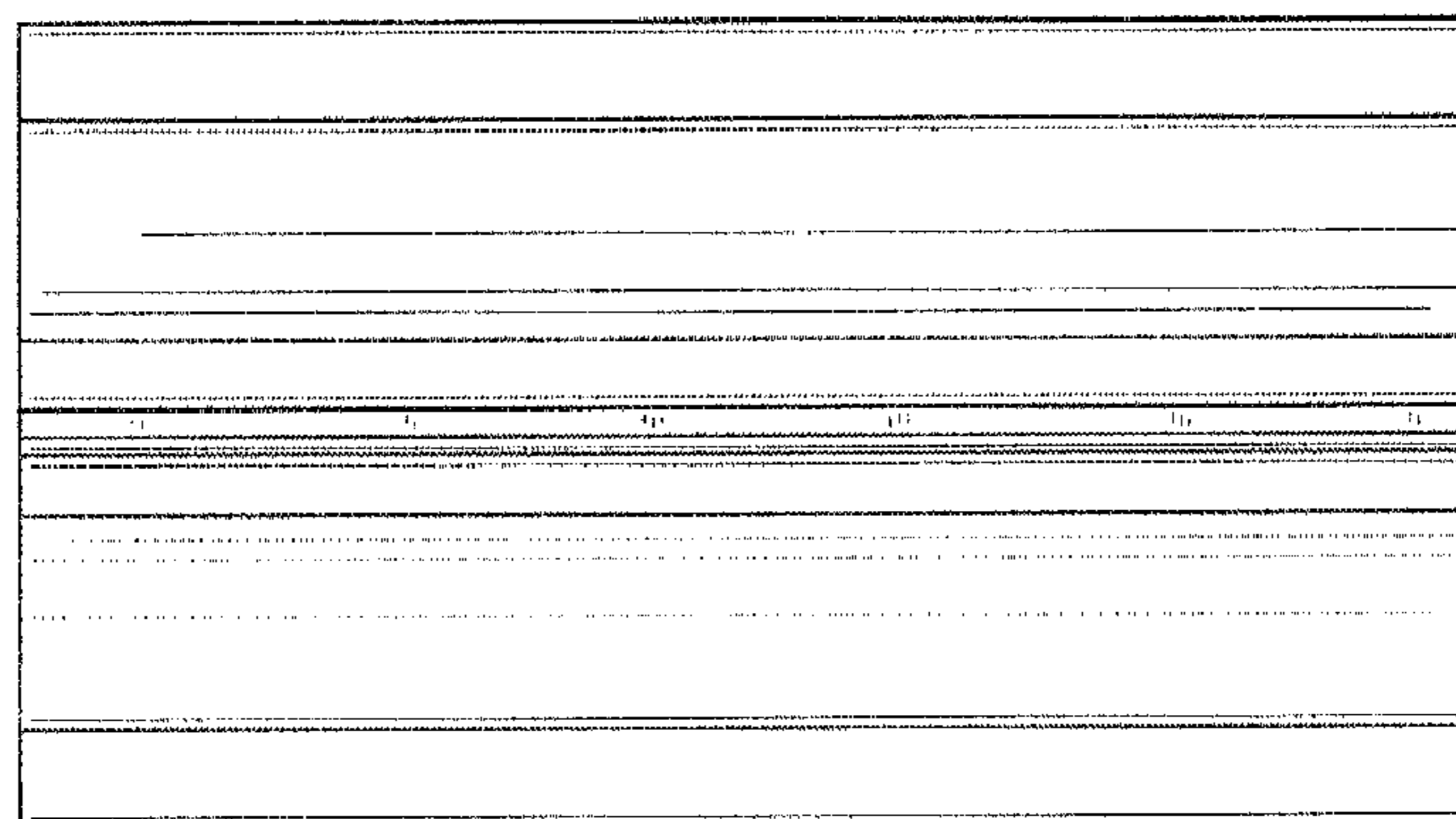


FIG. 5