



US00D669133S

(12) **United States Design Patent**
Dalton

(10) **Patent No.:** **US D669,133 S**
(45) **Date of Patent:** **** Oct. 16, 2012**

- (54) **STAPLER PLATFORM**
- (75) Inventor: **Peter David Dalton**, Los Angeles, CA (US)
- (73) Assignee: **Sun Coast Merchandise Corp.**, Commerce, CA (US)
- (**) Term: **14 Years**
- (21) Appl. No.: **29/395,817**
- (22) Filed: **Apr. 4, 2012**

5,040,673	A *	8/1991	Huang et al.	206/214
D328,472	S *	8/1992	Ancona et al.	D19/77
5,927,669	A *	7/1999	Sassman	248/346.01
D489,412	S *	5/2004	Hsu	D19/75
7,124,990	B1 *	10/2006	Sanathra	248/311.2
D570,416	S *	6/2008	Hackenberg et al.	D19/83
D581,465	S *	11/2008	Bhavnani	D19/65
D590,888	S *	4/2009	Newbould et al.	D19/69
D629,202	S *	12/2010	Wai	D3/294
7,922,130	B2 *	4/2011	Hawkins	248/74.2

* cited by examiner

Primary Examiner — Elizabeth Albert

(74) *Attorney, Agent, or Firm* — Steven E. Shapiro

Related U.S. Application Data

- (63) Continuation of application No. 13/068,846, filed on Jan. 9, 2009.
- (51) **LOC (9) Cl.** **19-06**
- (52) **U.S. Cl.** **D19/75**
- (58) **Field of Classification Search** D3/20, D3/201; D6/512; D19/65, 75, 77, 78, 81, D19/95, 99, 100; 206/214, 224, 371, 486, 206/575; 248/346.01
See application file for complete search history.

(57) **CLAIM**

The ornamental design for a stapler platform, as shown and described.

DESCRIPTION

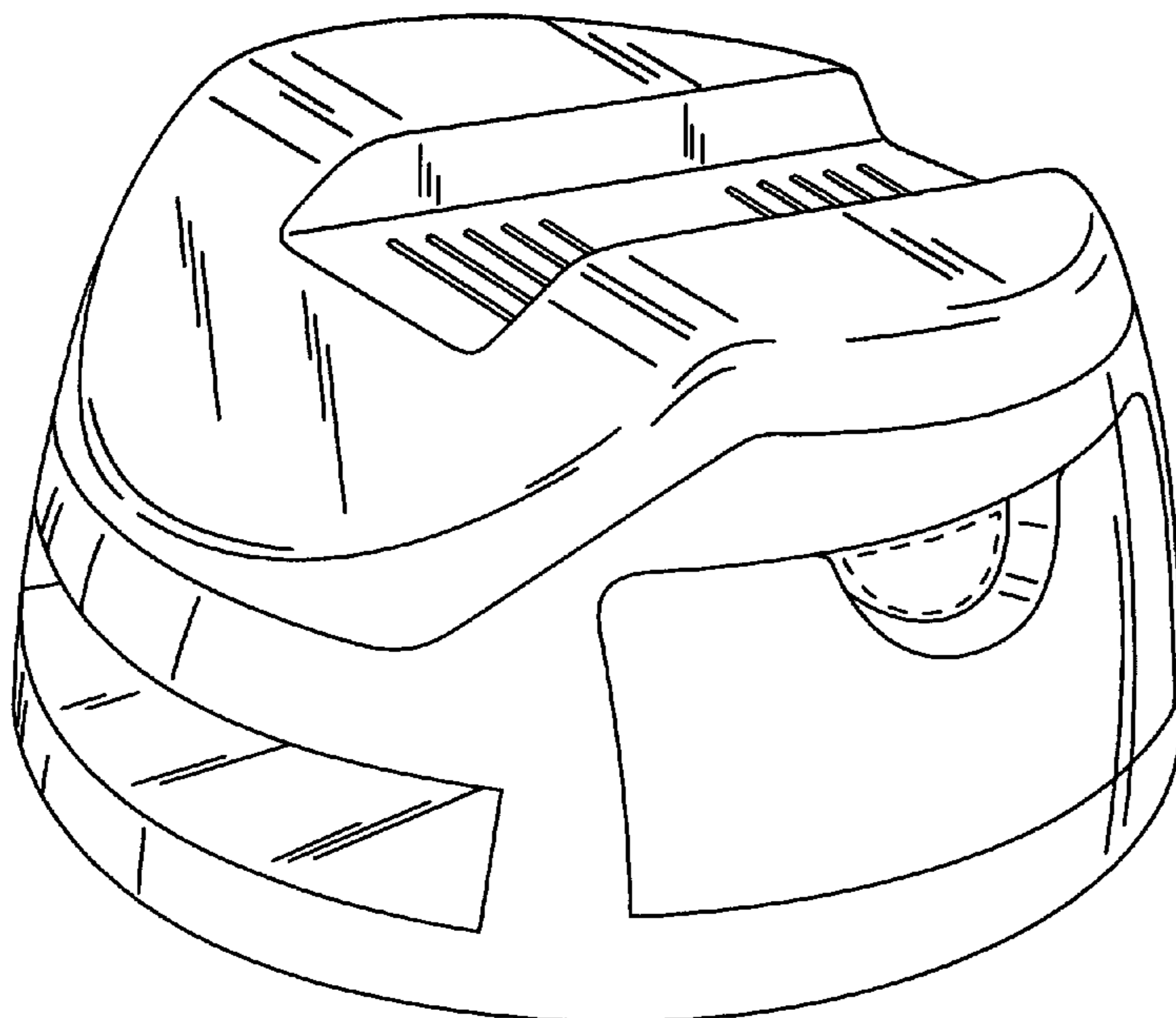
FIG. 1 is a front perspective view of a stapler platform; FIG. 2 is a rear perspective view of the stapler platform; FIG. 3 is a top plan view of the stapler platform; FIG. 4 is a front view of the stapler platform; FIG. 5 is a left-side view of the stapler platform; FIG. 6 is a rear view of the stapler platform; FIG. 7 is a right-side view of the stapler platform; and, FIG. 8 is a bottom plan view of the stapler platform. The broken lines showing features in FIGS. 1, 4 and 7 are included to show portions of the stapler platform that form no part of the claimed design.

(56) **References Cited**

U.S. PATENT DOCUMENTS

D174,462	S *	4/1955	Olson	D8/50
D231,271	S *	4/1974	Finkel	D19/75
D250,269	S *	11/1978	Spellier	D19/72
D250,270	S *	11/1978	Spellier	D19/72
D310,688	S *	9/1990	Windorski	D19/86
D316,112	S *	4/1991	Windorski	D19/86

1 Claim, 8 Drawing Sheets



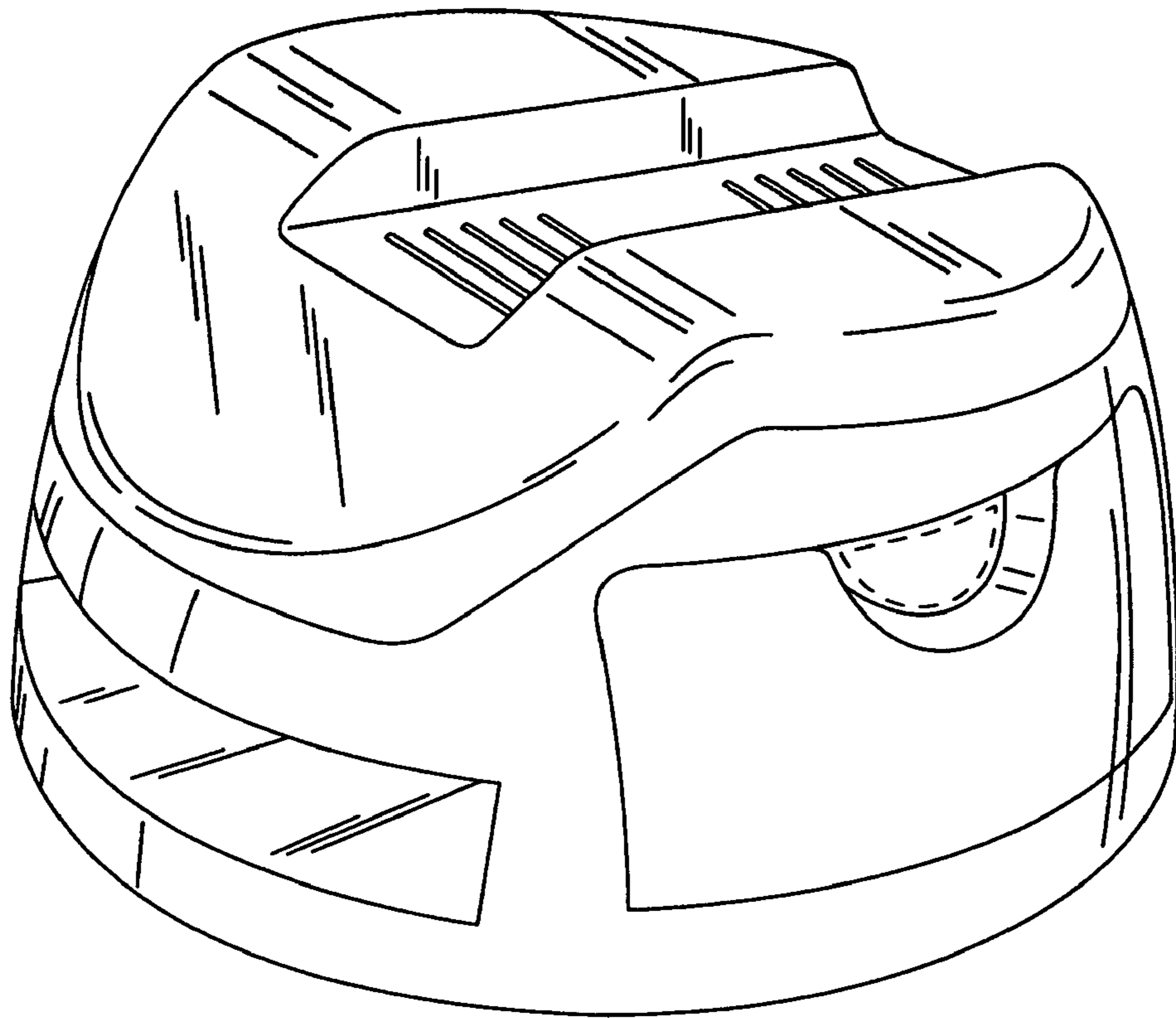


Fig. 1

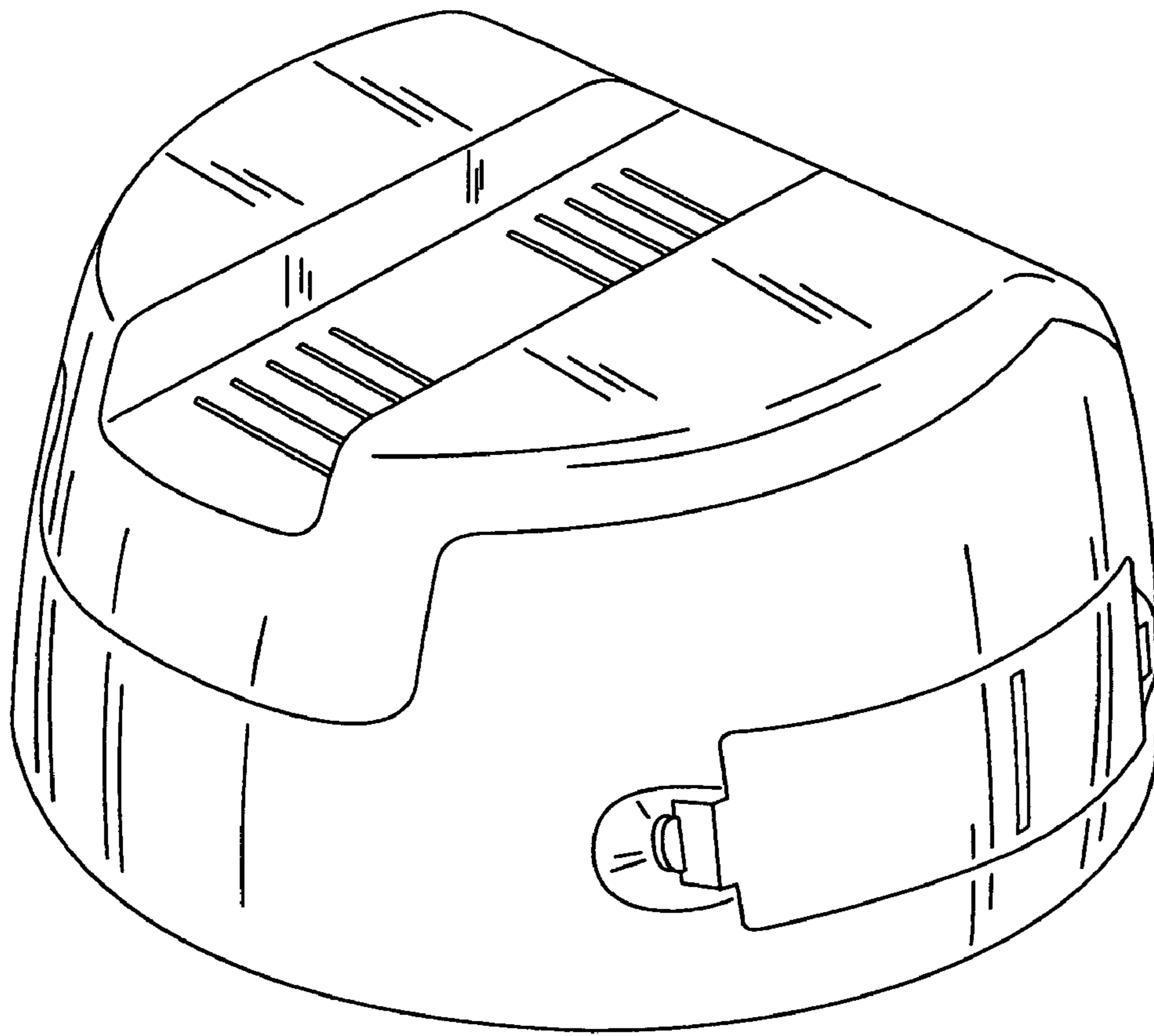


Fig. 2

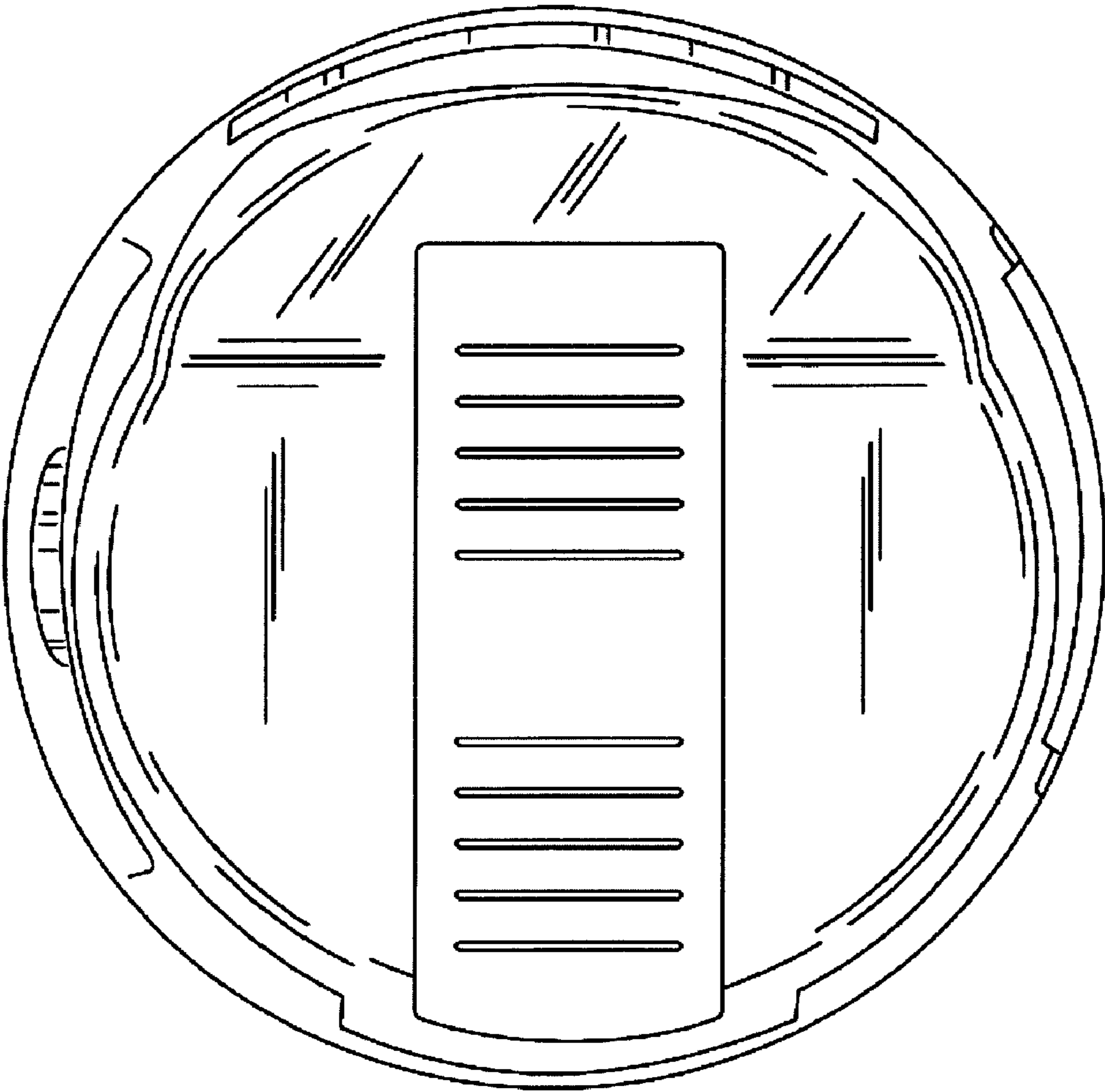


Fig. 3

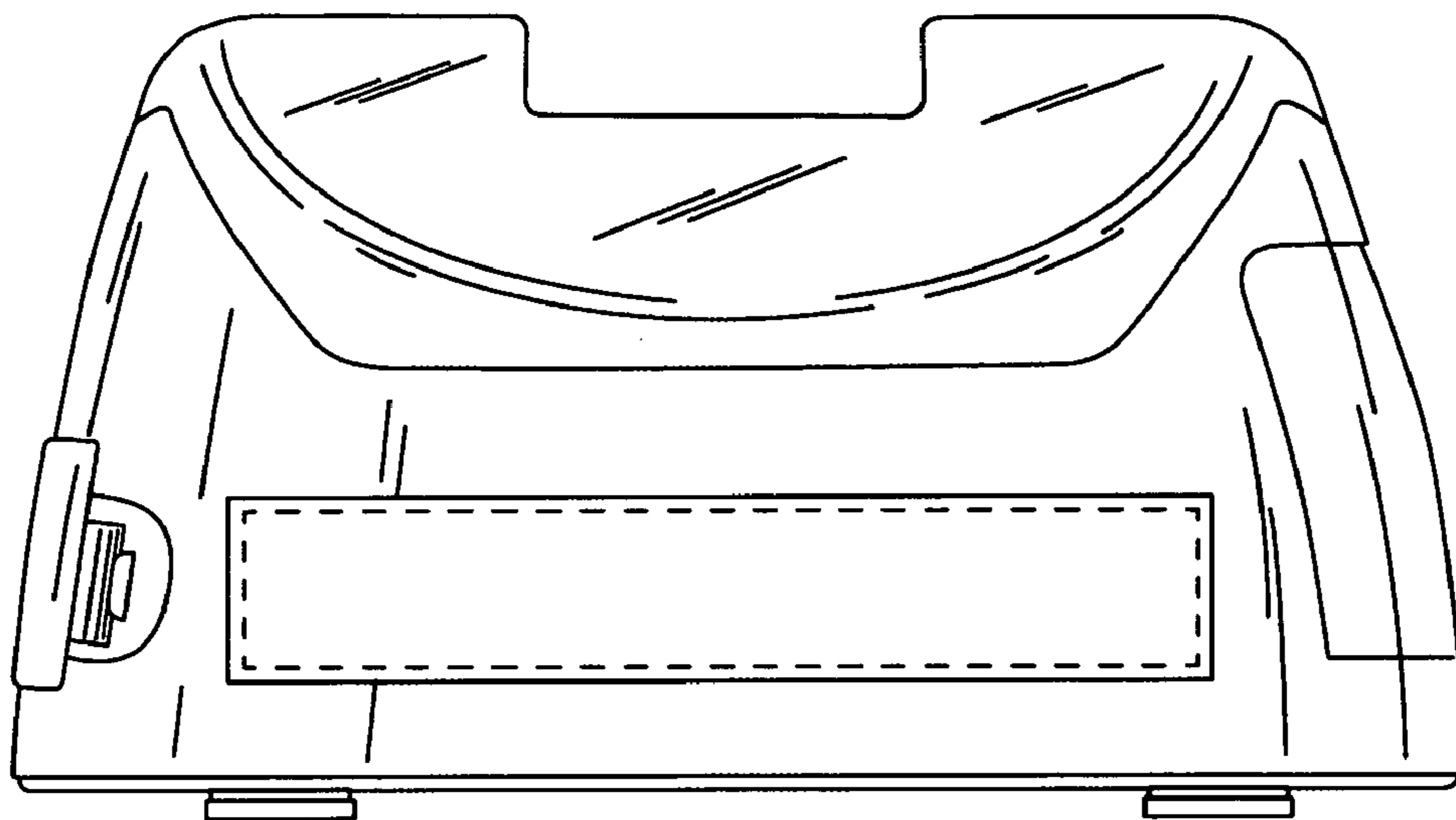


Fig. 4

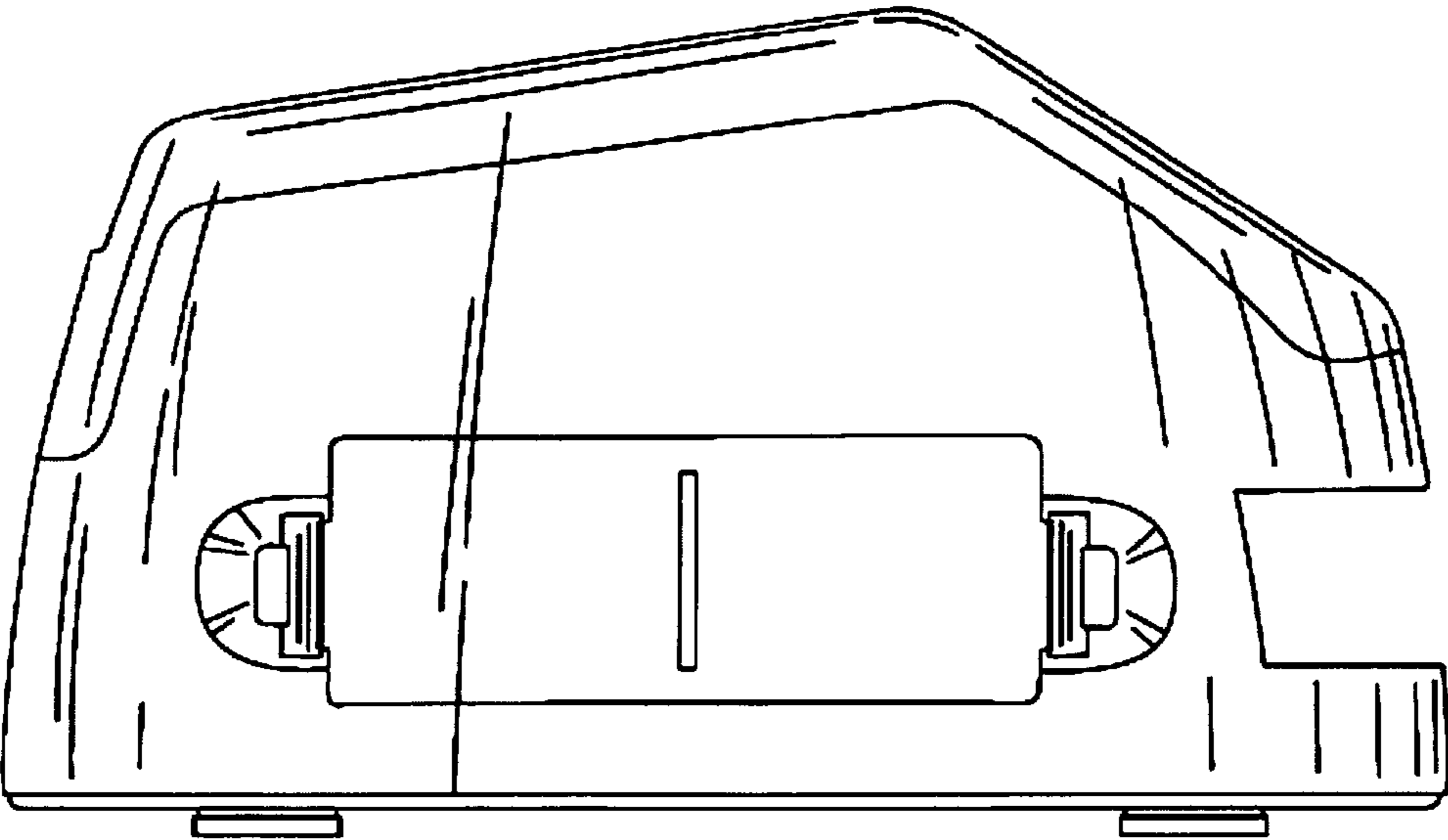


Fig. 5

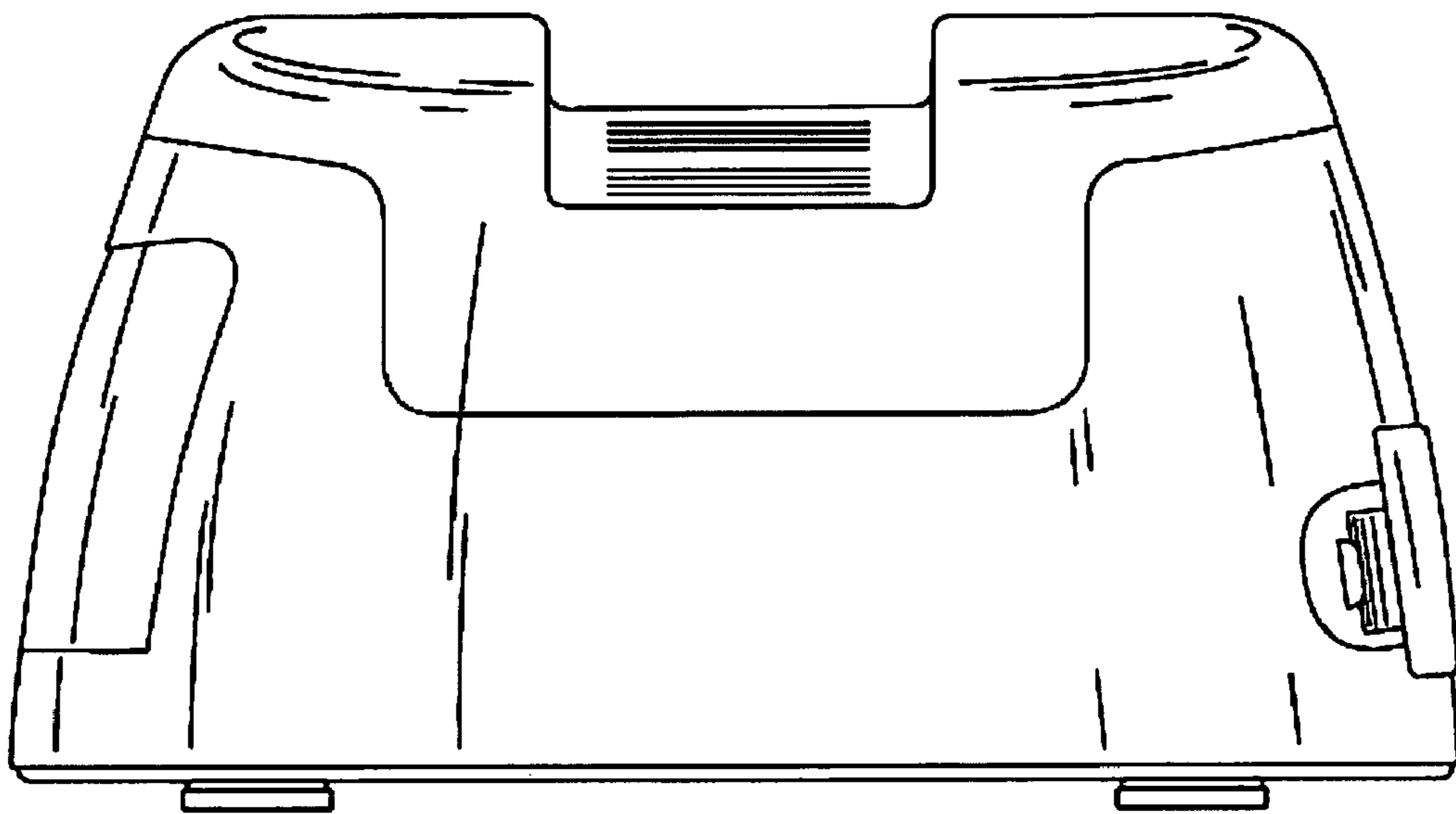


Fig. 6

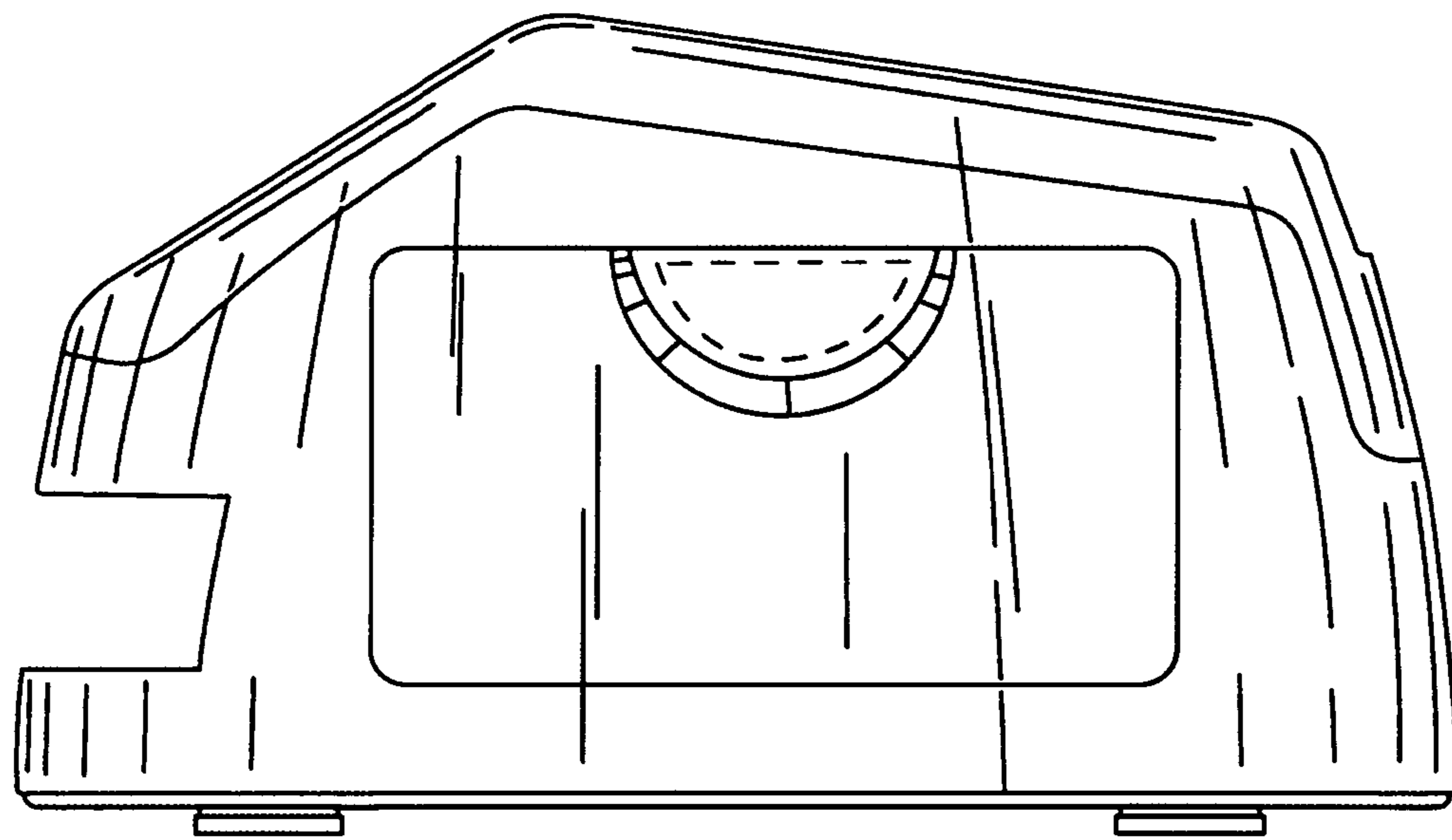


Fig. 7

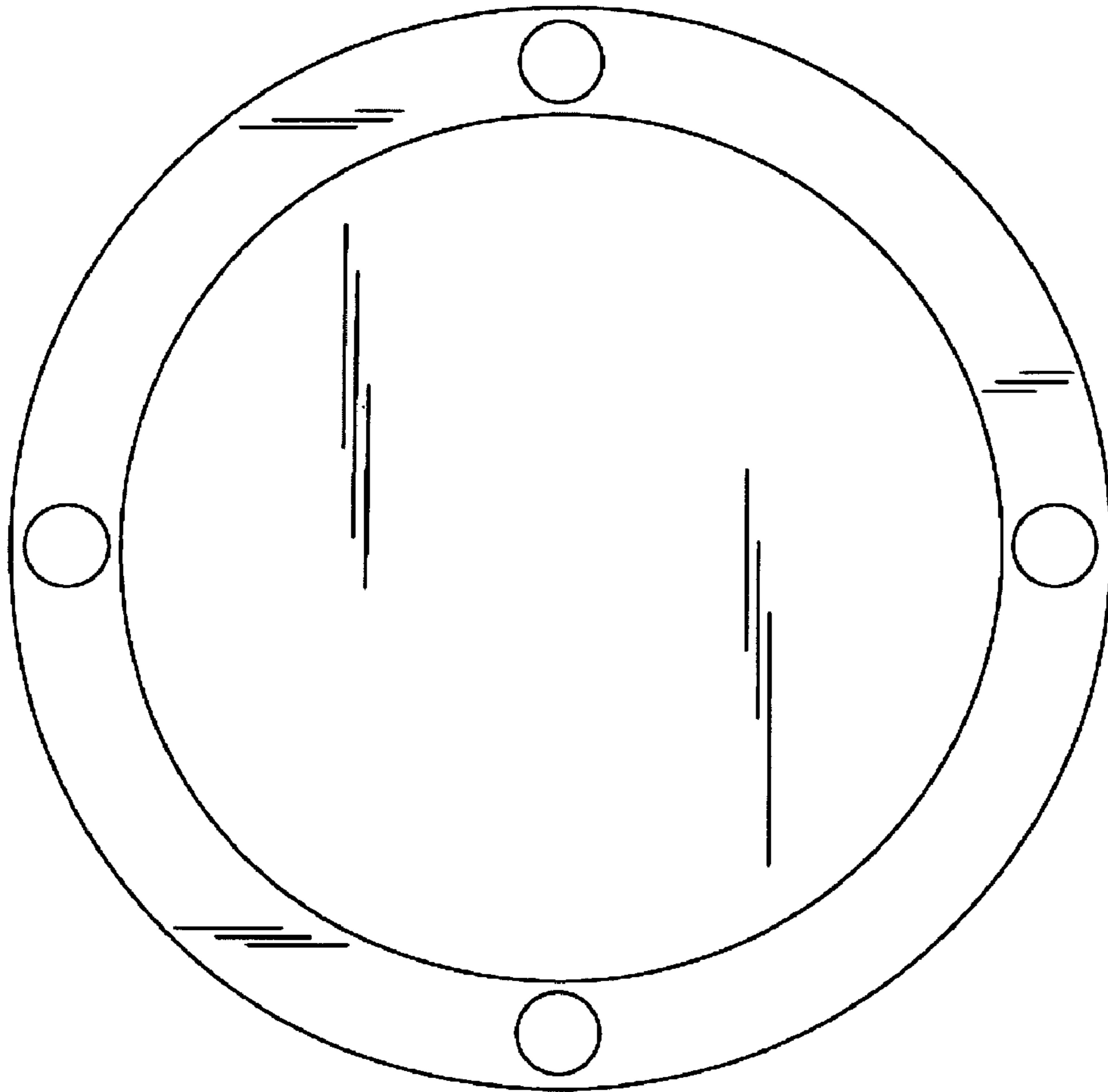


Fig. 8