



US00D669128S

(12) **United States Design Patent**
Zhang

(10) **Patent No.:** **US D669,128 S**

(45) **Date of Patent:** **** Oct. 16, 2012**

(54) **PEN**

(75) **Inventor:** **Youbin Zhang**, Ningbo (CN)

(73) **Assignee:** **Beifa Group Co., Ltd.**, Ningbo (CN)

(**) **Term:** **14 Years**

(21) **Appl. No.:** **29/387,818**

(22) **Filed:** **Mar. 18, 2011**

(30) **Foreign Application Priority Data**

Sep. 19, 2010 (CN) 2010 3 0530970

(51) **LOC (9) Cl.** **19-06**

(52) **U.S. Cl.** **D19/50**

(58) **Field of Classification Search** D19/35,
D19/36, 41-51, 54-58; 24/11 R, 11 F, 11 P;
401/52, 99, 100-109, 192, 195, 196; D14/411
See application file for complete search history.

(56) **References Cited**

U.S. PATENT DOCUMENTS

D191,650 S	10/1961	Kruck	
D223,688 S	5/1972	Schnur	
D259,792 S *	7/1981	Itoh et al.	D19/51
D323,529 S *	1/1992	Rousseau	D19/51
D409,656 S *	5/1999	Melnick	D19/36
D441,398 S *	5/2001	Owen et al.	D19/49
D450,889 S	11/2001	Chang	
D471,587 S	3/2003	Hautzinger	
D473,263 S *	4/2003	Hautzinger	D19/57
D479,856 S *	9/2003	Hui	D19/43
D482,397 S *	11/2003	Hui	D19/43
D489,403 S	5/2004	Lin	
D497,038 S	10/2004	Tsai	
D500,338 S *	12/2004	Kommer	D19/43
D547,375 S *	7/2007	Gerules	D19/51
D551,707 S *	9/2007	Neuenschwander et al.	D19/47

D603,899 S *	11/2009	Suero et al.	D19/50
D604,362 S *	11/2009	Suero et al.	D19/50
D612,423 S *	3/2010	Suero et al.	D19/41
D612,425 S *	3/2010	Suero et al.	D19/41
D647,964 S *	11/2011	Wang et al.	D19/50
D651,241 S *	12/2011	Liang	D19/48

OTHER PUBLICATIONS

Wang, T., and W. Lang, "Pen," U.S. Appl. No. 29/365,896, filed Jul. 16, 2010.

Wang, T., and W. Lang, "Pen," U.S. Appl. No. 29/390,935, filed Apr. 29, 2011.

Xie, J., "Pen," U.S. Appl. No. 29/389,685, filed Apr. 14, 2011.

* cited by examiner

Primary Examiner — Elizabeth Albert

(74) *Attorney, Agent, or Firm* — Christensen O'Connor Johnson Kindness PLLC

(57) **CLAIM**

The ornamental design for a pen, as shown and described.

DESCRIPTION

FIG. 1 is an upper front right perspective view of a pen showing my new design;

FIG. 2 is a lower front right perspective view thereof;

FIG. 3 is a right side elevation view thereof, with the left side elevation view being a mirror image of the right side elevation view;

FIG. 4 is a front elevation view thereof;

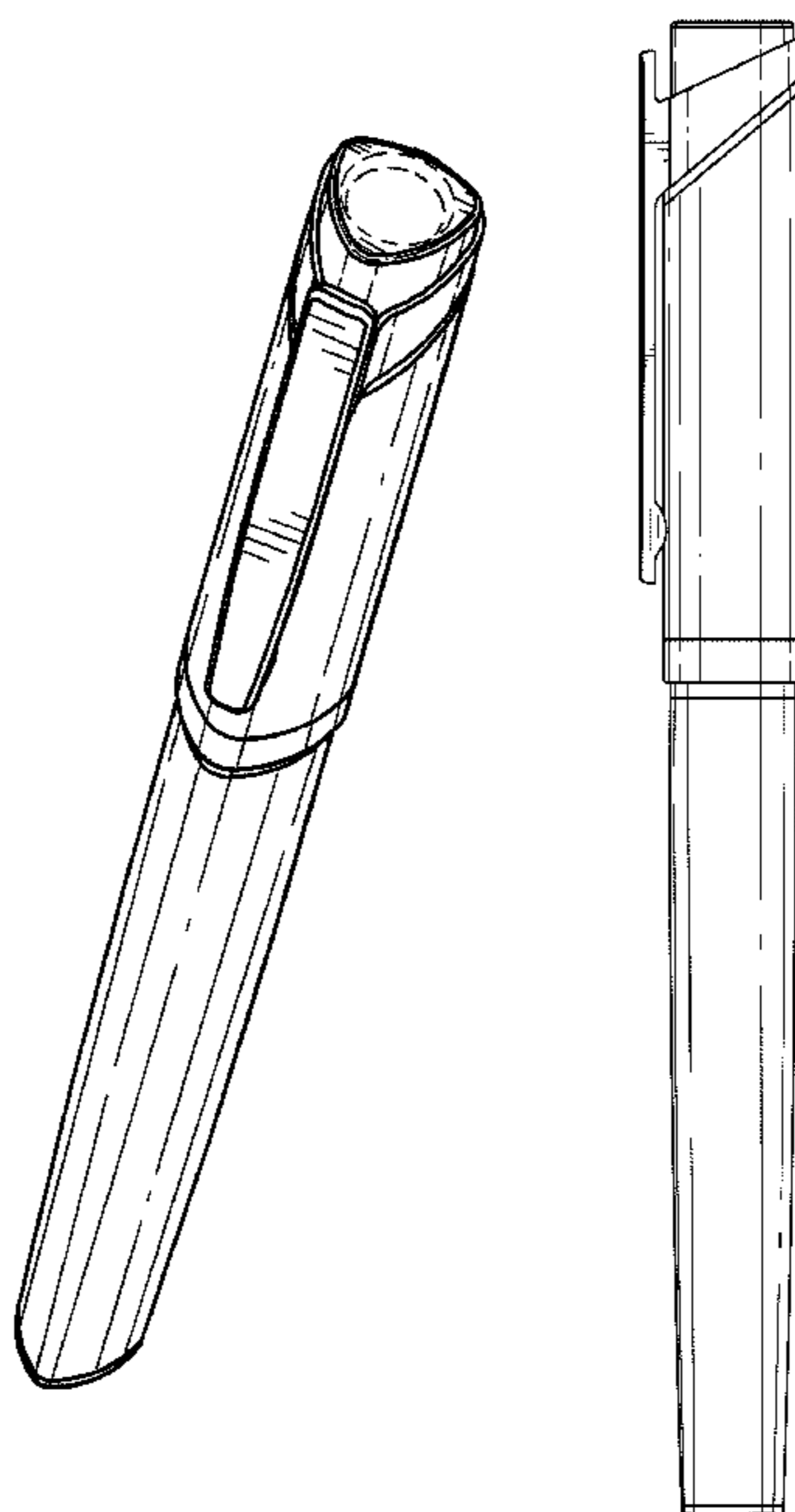
FIG. 5 is a rear elevation view thereof;

FIG. 6 is an enlarged top plan view thereof; and,

FIG. 7 is an enlarged bottom plan view thereof.

The broken lines shown in FIGS. 1, 6, and 7 illustrate environment and form no part of the claimed design.

1 Claim, 4 Drawing Sheets



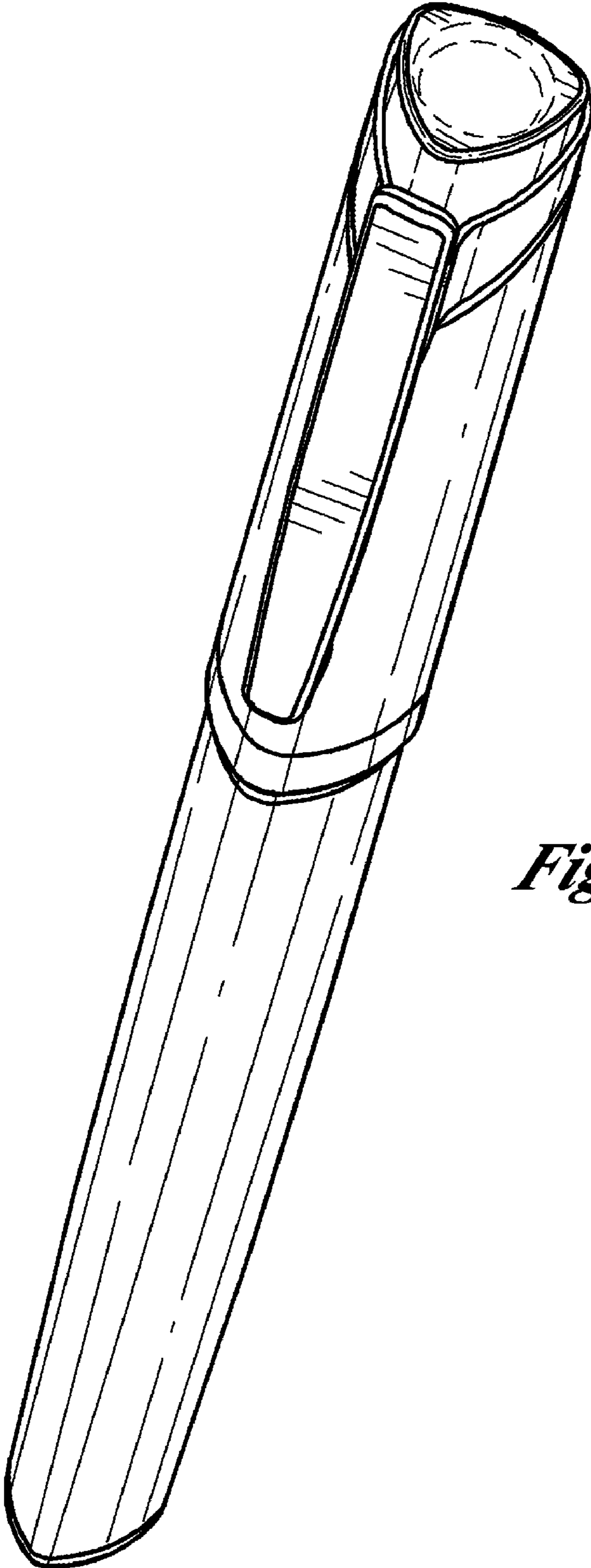


Fig. 1.

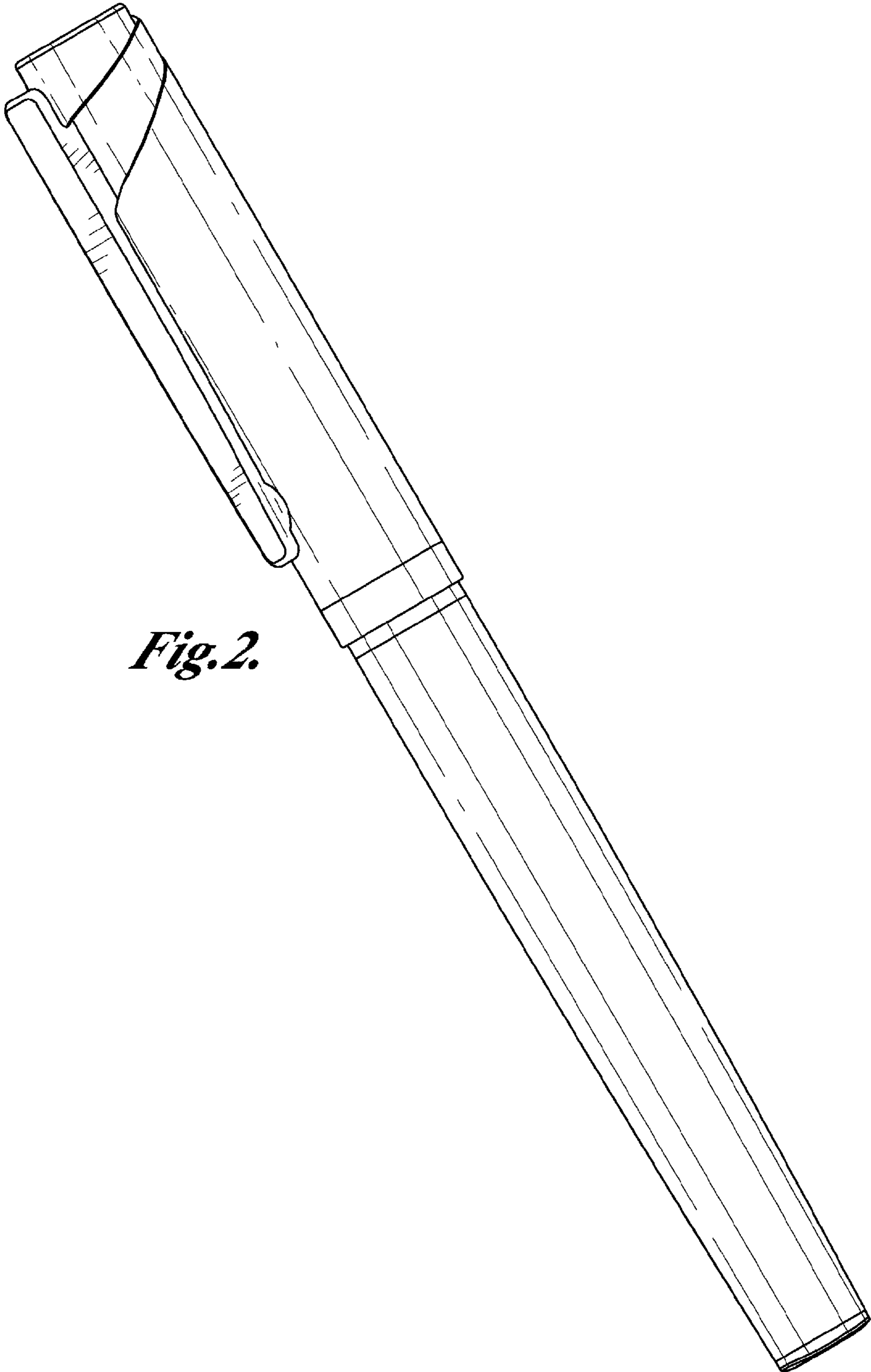


Fig. 2.

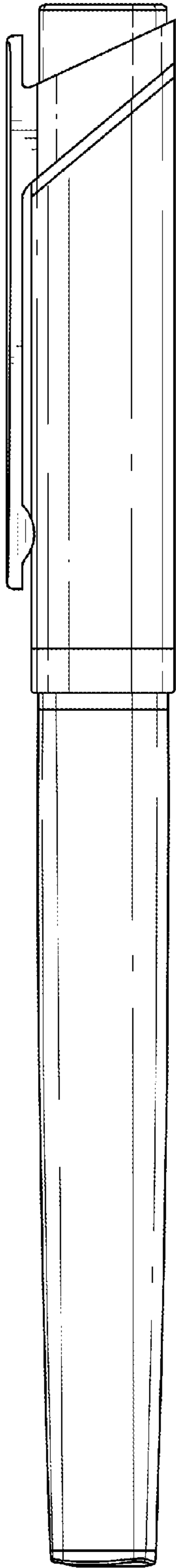


Fig. 3.

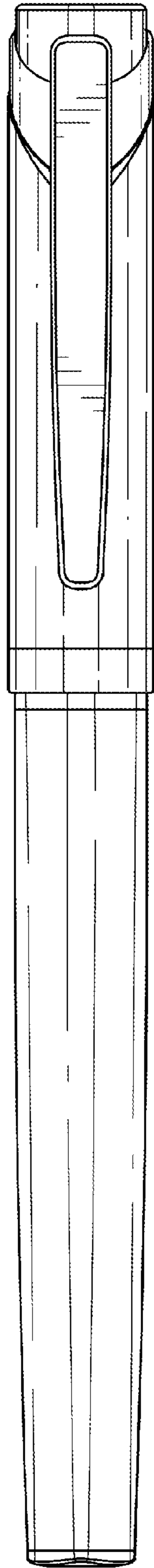


Fig. 4.

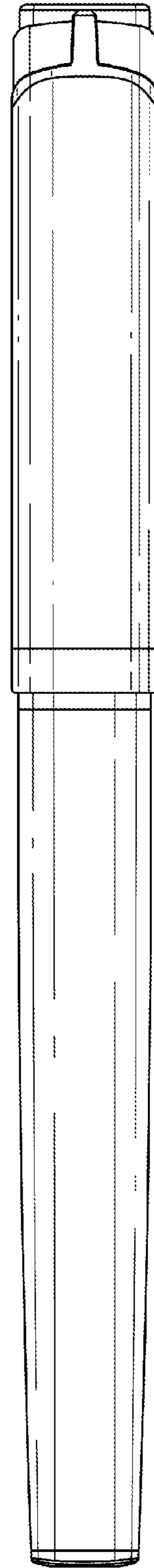


Fig. 5.

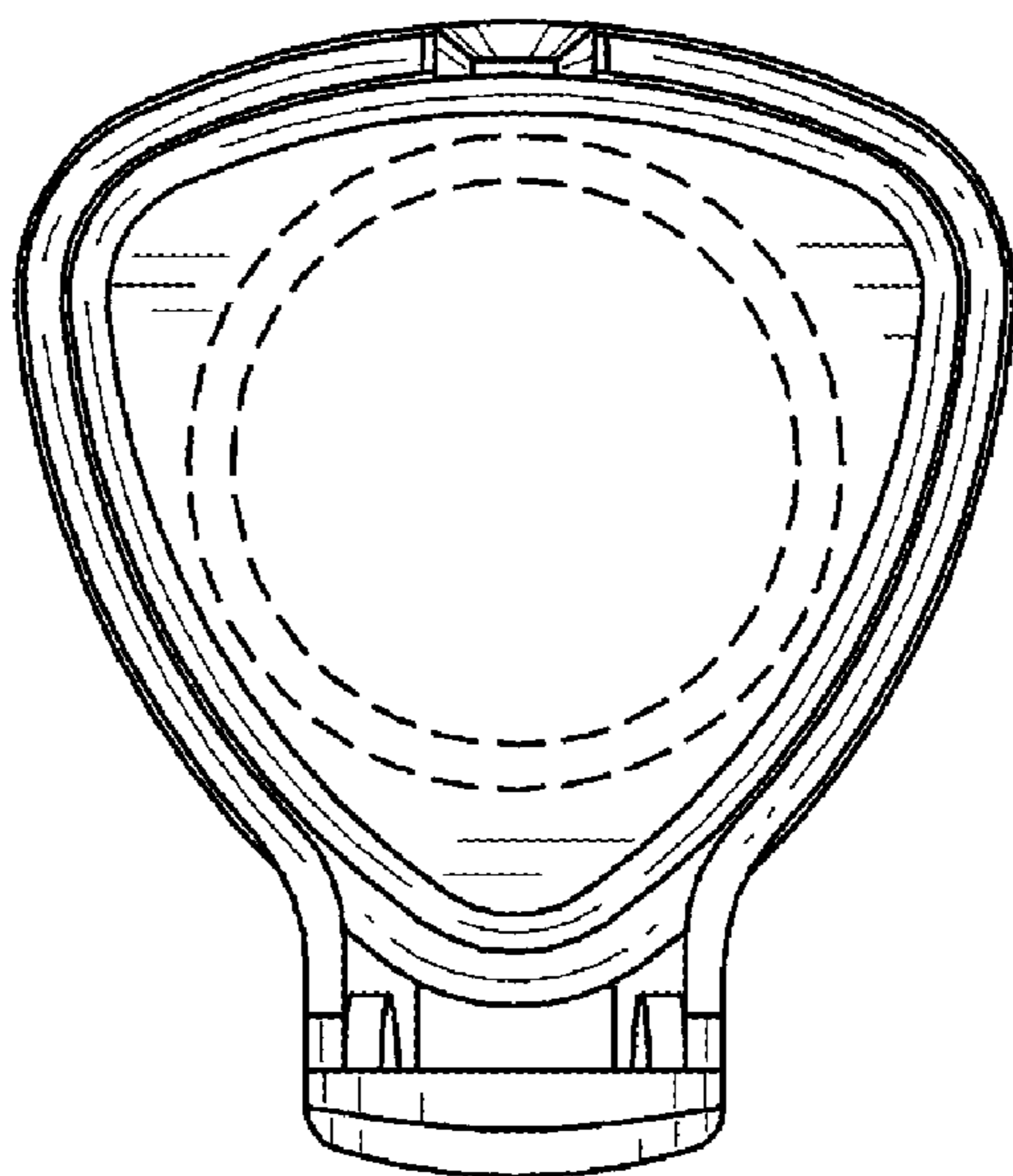


Fig. 6.

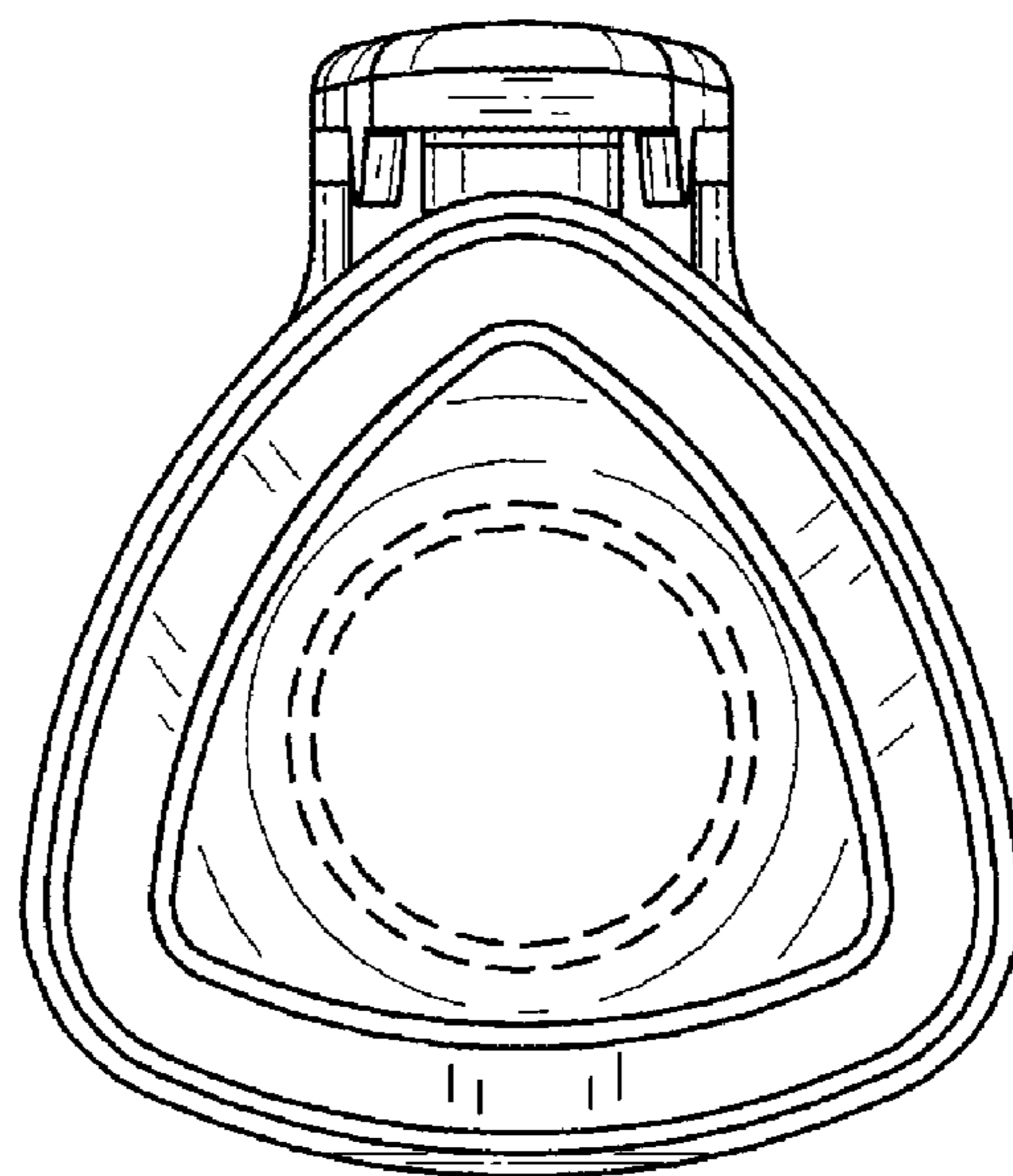


Fig. 7.