

US00D669127S

(12) **United States Design Patent**  
**Chen**

(10) **Patent No.:** **US D669,127 S**  
(45) **Date of Patent:** **\*\* Oct. 16, 2012**

(54) **PEN**  
(75) **Inventor:** **Bei Chen**, Ningbo (CN)  
(73) **Assignee:** **Beifa Group Co., Ltd.**, Ningbo (CN)  
(\*\*) **Term:** **14 Years**  
(21) **Appl. No.:** **29/394,214**  
(22) **Filed:** **Jun. 14, 2011**

(30) **Foreign Application Priority Data**  
Dec. 15, 2010 (CN) ..... 2010 3 0677985  
(51) **LOC (9) Cl.** ..... **19-06**  
(52) **U.S. Cl.** ..... **D19/49**  
(58) **Field of Classification Search** ..... D19/35,  
D19/36, 41-51, 54-58; D14/411; 24/11 F,  
24/11 P, 11 R; 401/52, 99, 100-109, 192,  
401/195, 196  
See application file for complete search history.

(56) **References Cited**  
U.S. PATENT DOCUMENTS  
D137,496 S \* 3/1944 Lustig ..... D3/203.2  
D327,707 S 7/1992 Katami  
D329,461 S 9/1992 Katami  
D353,620 S 12/1994 De Baillon  
D358,167 S \* 5/1995 Herbst et al. .... D19/48  
D366,902 S \* 2/1996 Takahashi ..... D19/51  
D372,048 S 7/1996 Hollington

D401,275 S \* 11/1998 Otake ..... D19/43  
D401,278 S \* 11/1998 Hu ..... D19/51  
D403,706 S \* 1/1999 Fukami ..... D19/51  
D409,241 S 5/1999 Melnick  
D480,422 S 10/2003 Belmondo  
D555,728 S 11/2007 Satoh  
D573,644 S \* 7/2008 Bhavnani ..... D19/57  
D611,988 S \* 3/2010 Huff ..... D19/48  
D616,025 S 5/2010 Yan  
D647,961 S \* 11/2011 Zhang ..... D19/43

\* cited by examiner

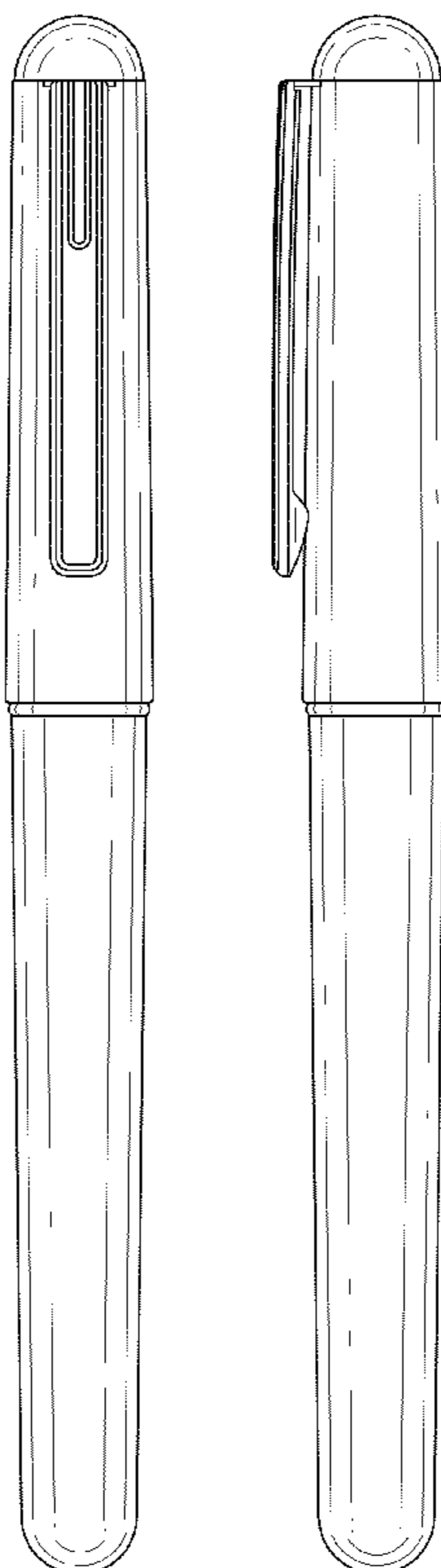
*Primary Examiner* — Elizabeth Albert  
(74) *Attorney, Agent, or Firm* — Christensen O'Connor Johnson Kindness PLLC

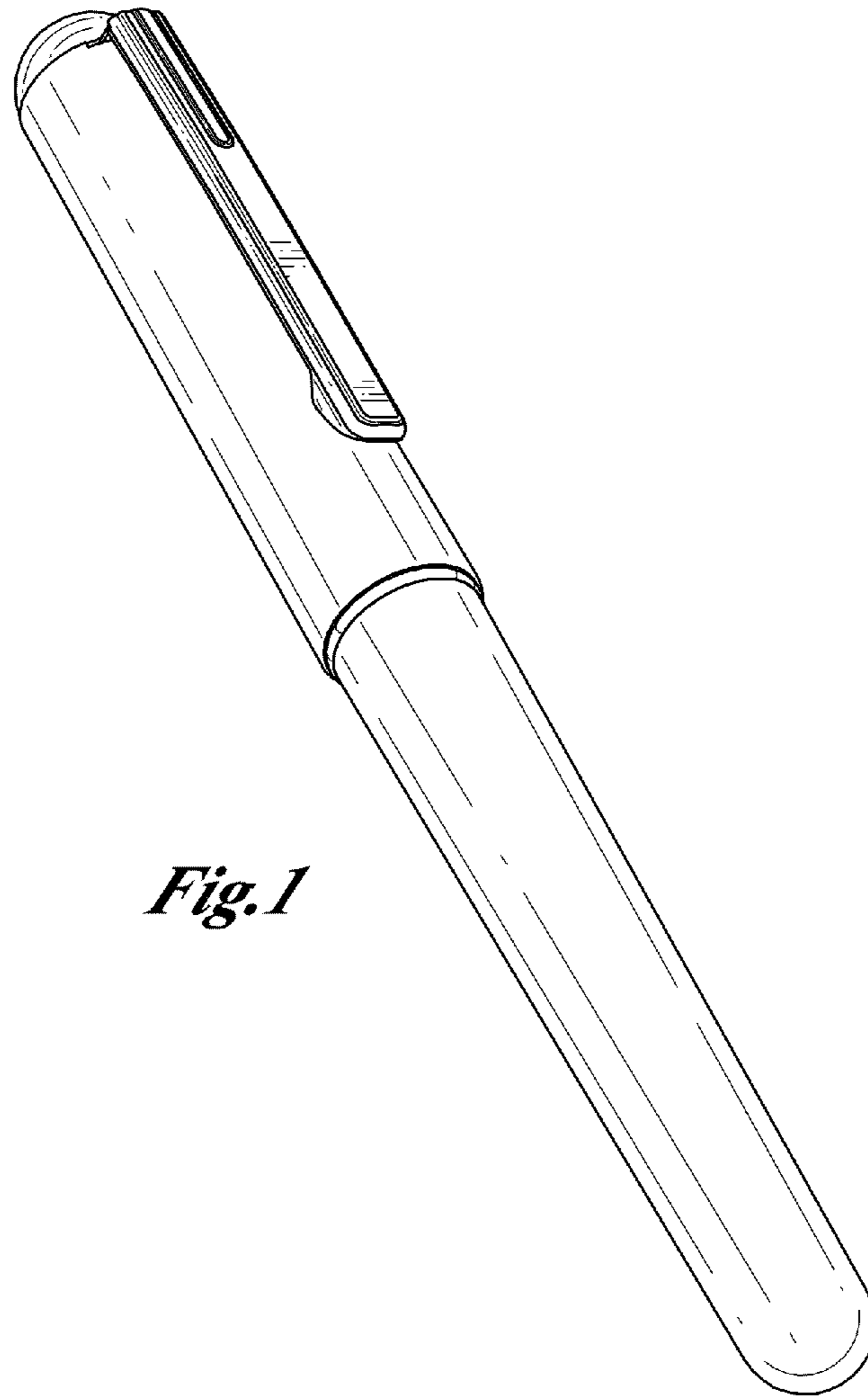
(57) **CLAIM**  
The ornamental design for a pen, as shown and described.

**DESCRIPTION**

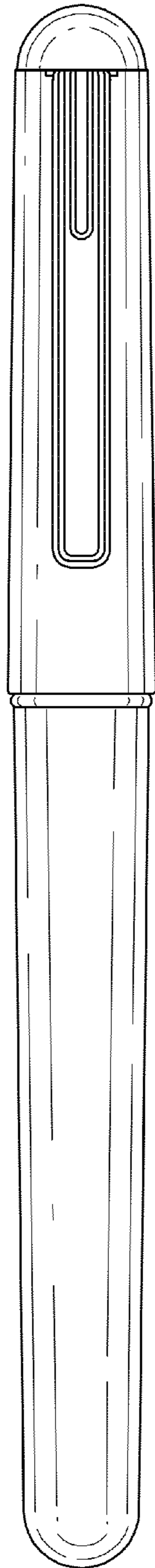
FIG. 1 is a lower front left perspective view of a pen showing my new design;  
FIG. 2 is a front elevation view thereof;  
FIG. 3 is a rear elevation view thereof;  
FIG. 4 is a right side elevation view thereof, with the left side elevation view being a mirror image of the right side elevation view;  
FIG. 5 is an enlarged top plan view thereof; and,  
FIG. 6 is an enlarged bottom plan view thereof.

**1 Claim, 4 Drawing Sheets**

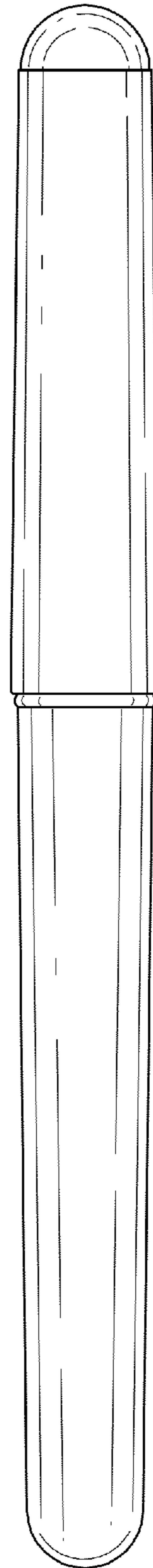




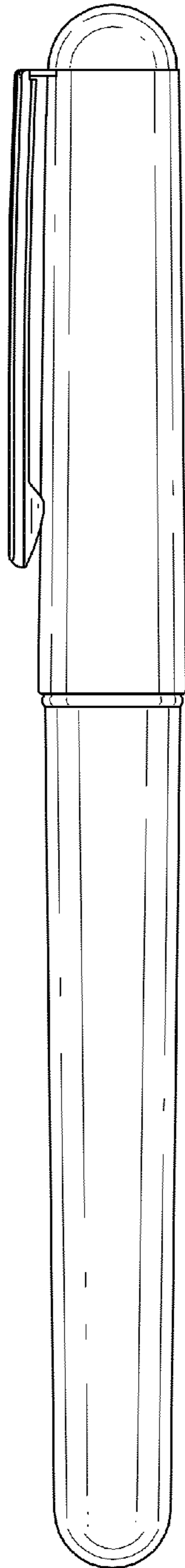
*Fig.1*



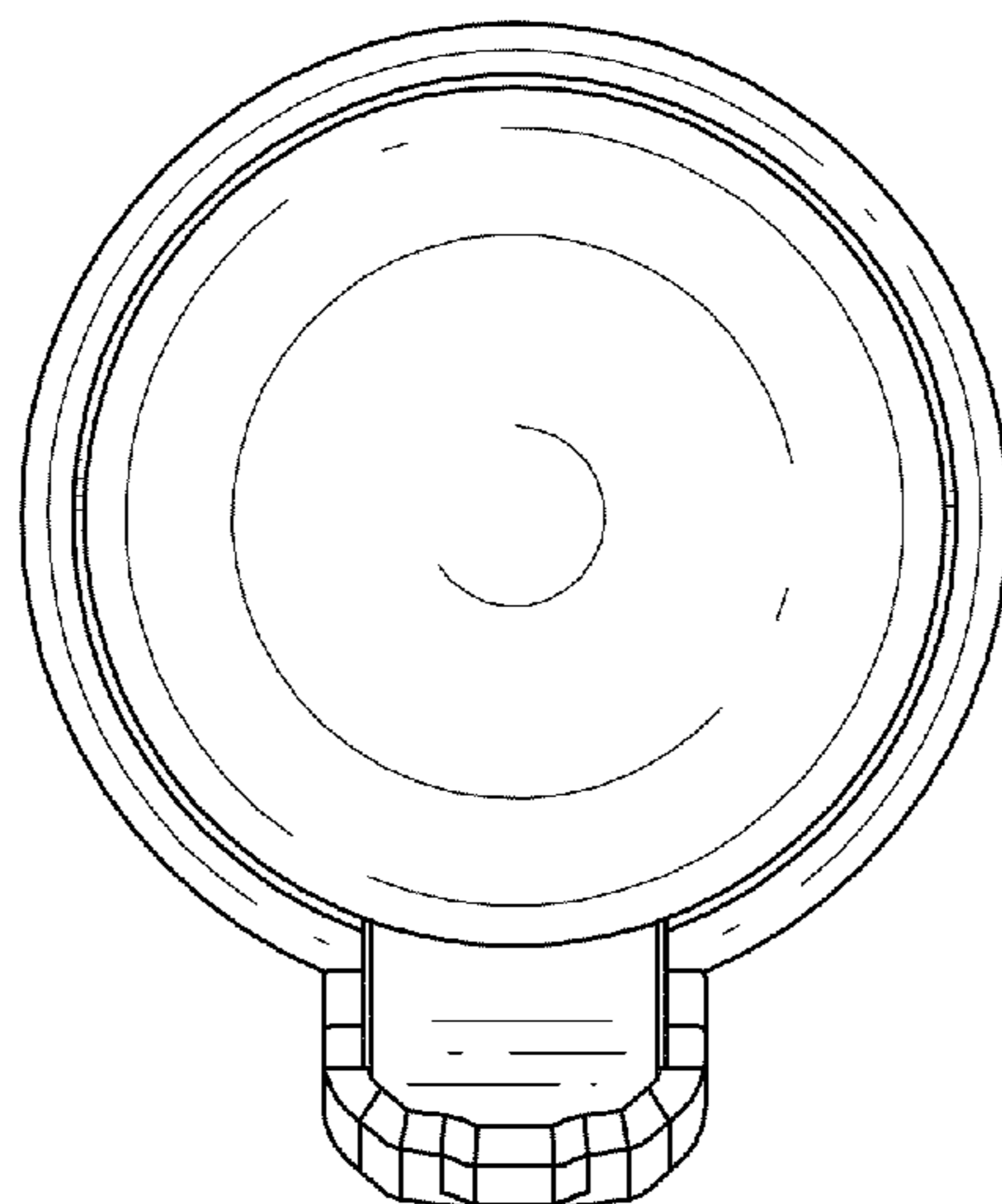
*Fig. 2*



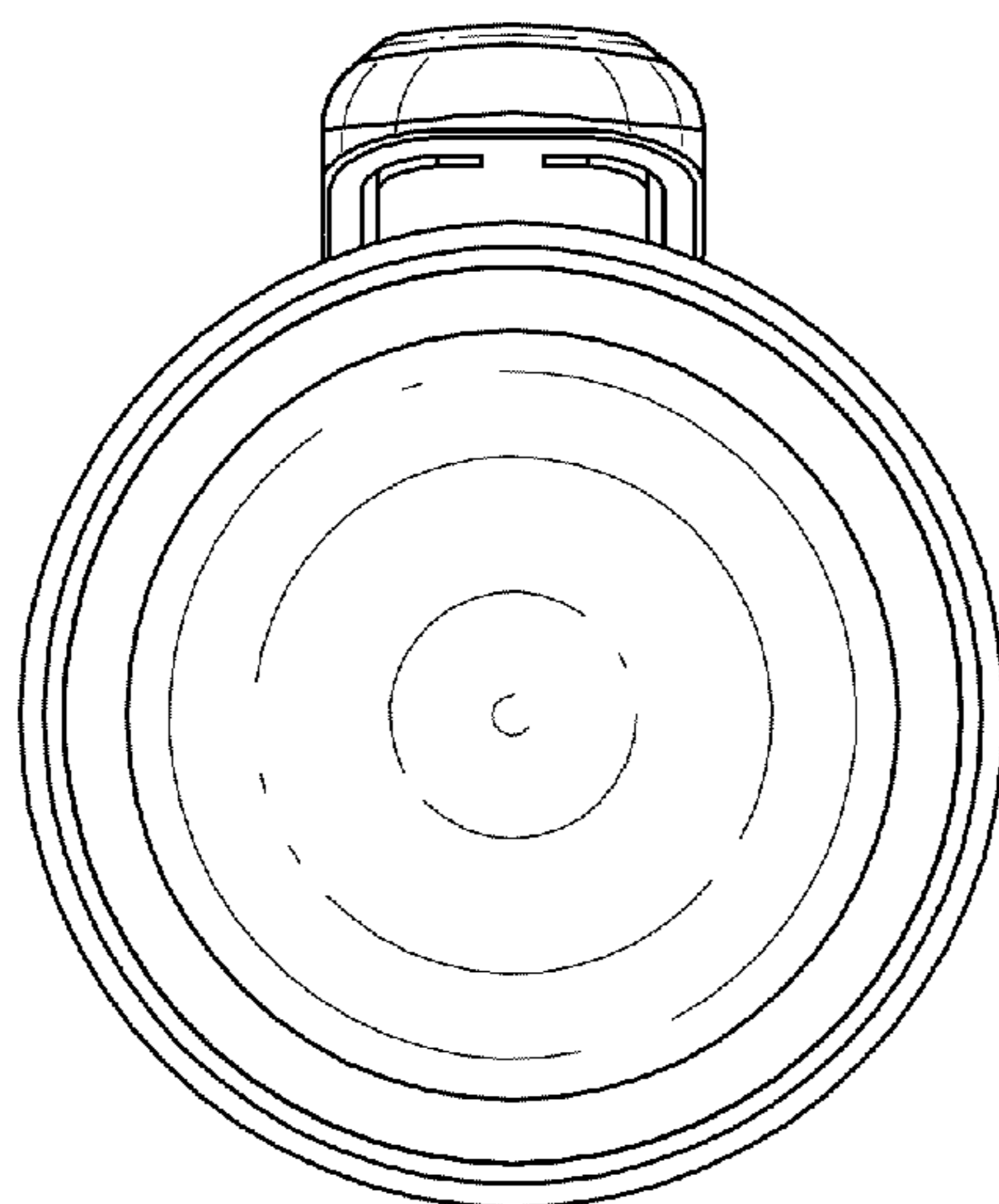
*Fig. 3*



*Fig.4*



*Fig. 5*



*Fig. 6*