

US00D669125S

(12) **United States Design Patent**
Avidan

(10) **Patent No.:** **US D669,125 S**
(45) **Date of Patent:** **** Oct. 16, 2012**

(54) **PEN**
(75) **Inventor:** **Niv Avidan**, Woodland Hills, CA (US)
(73) **Assignee:** **Yafa Pen Company**, Canoga Park, CA (US)
(**) **Term:** **14 Years**
(21) **Appl. No.:** **29/383,133**

D405,603 S * 2/1999 Tenny D3/210
D449,439 S * 10/2001 Gray D3/211
D489,090 S * 4/2004 Buechler D19/51
D495,483 S * 9/2004 Vickers et al. D3/208
D496,963 S * 10/2004 Losel D19/49
D501,715 S * 2/2005 Etienne D3/211
D557,744 S * 12/2007 Lecce D19/51
D571,400 S * 6/2008 Anand D19/49
D601,609 S * 10/2009 Kripalani D16/237
D615,294 S * 5/2010 Liang D3/210
D644,691 S * 9/2011 Pagani D19/51

* cited by examiner

(22) **Filed:** **Jan. 12, 2011**
(51) **LOC (9) Cl.** **19-06**
(52) **U.S. Cl.** **D19/44**
(58) **Field of Classification Search** D19/35,
D19/36, 41-51, 54-58; D14/411; 24/11 F,
24/11 P, 11 R; 401/52, 99-109, 192, 195,
401/196, 131; D3/207, 208
See application file for complete search history.

Primary Examiner — Elizabeth Albert
(74) *Attorney, Agent, or Firm* — Howard N. Sommers, P.C.

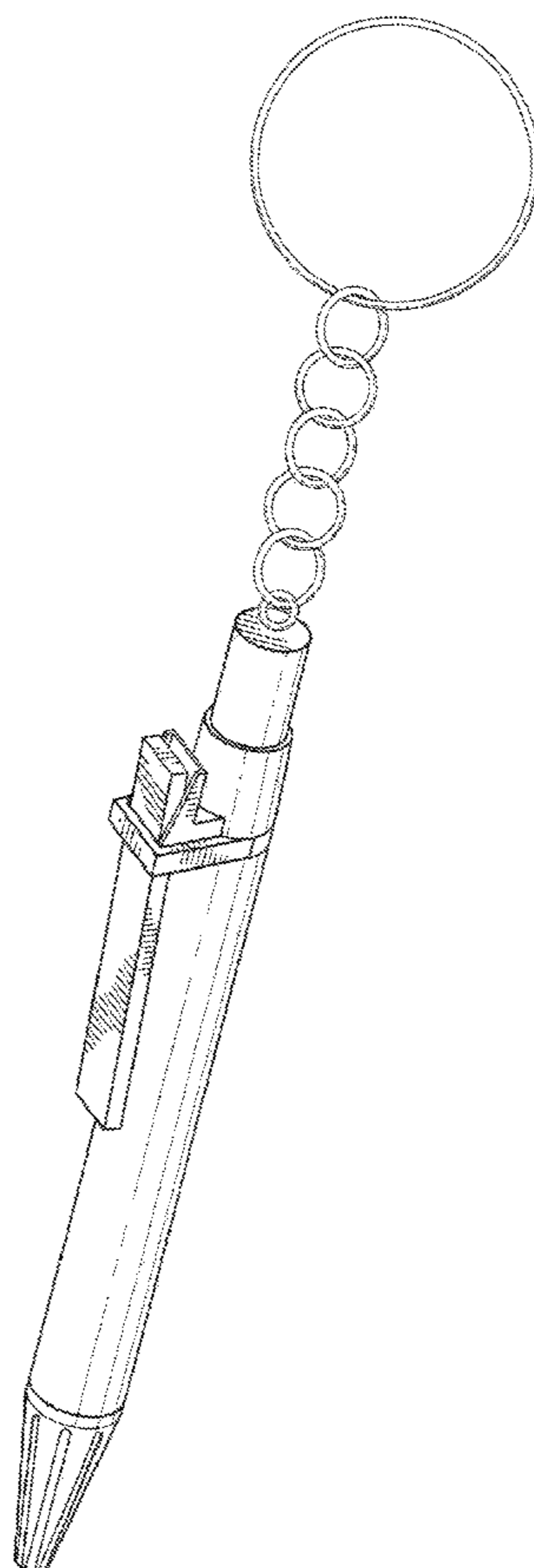
(57) **CLAIM**
The ornamental design for a pen, as shown and described.

(56) **References Cited**
U.S. PATENT DOCUMENTS
D153,905 S * 5/1949 Sager D19/51
2,790,420 A * 4/1957 Zelinger 401/52
D190,262 S * 5/1961 Schier D19/49
D309,830 S * 8/1990 Kraus D3/207
D332,625 S * 1/1993 LaPerche D19/44
D341,251 S * 11/1993 Bensman et al. D3/211
D396,743 S * 8/1998 Miller D3/211

DESCRIPTION

FIG. 1 is a perspective view of a pen showing my new design;
FIG. 2 is a front elevational view thereof;
FIG. 3 is an elevational view of a side thereof;
FIG. 4 is a rear elevational view thereof;
FIG. 5 is a top plan view thereof; and,
FIG. 6 is a bottom plan view thereof.

1 Claim, 3 Drawing Sheets



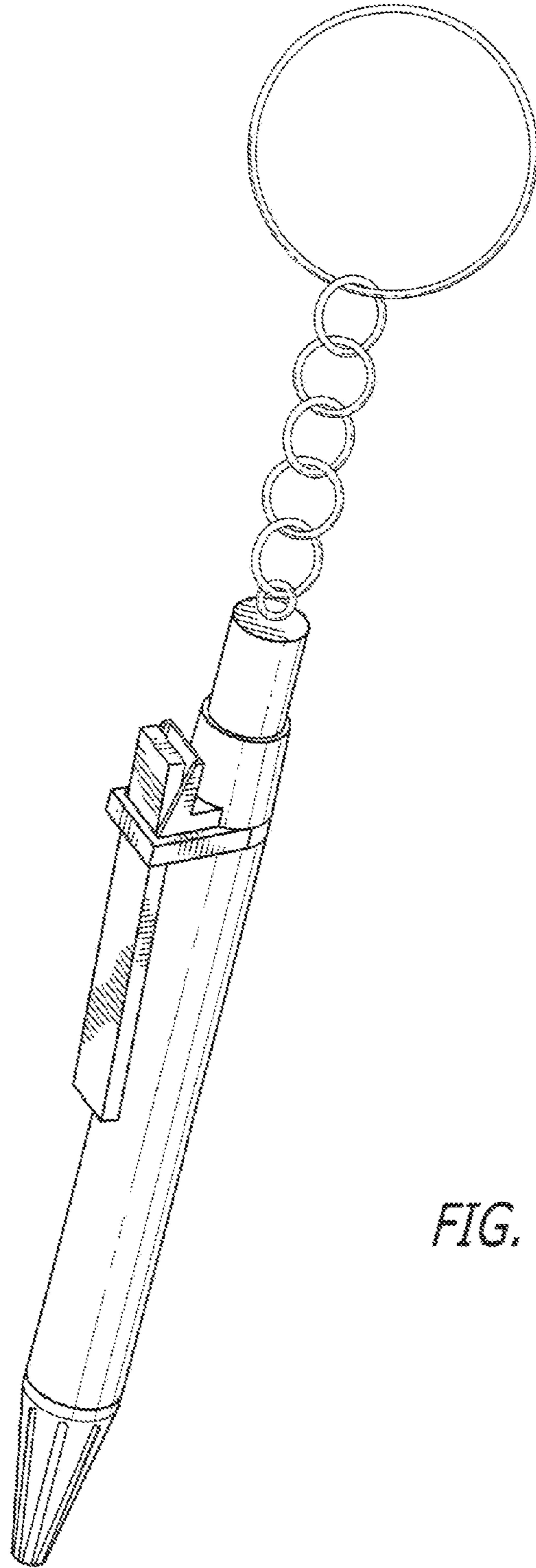


FIG. 1

FIG. 2

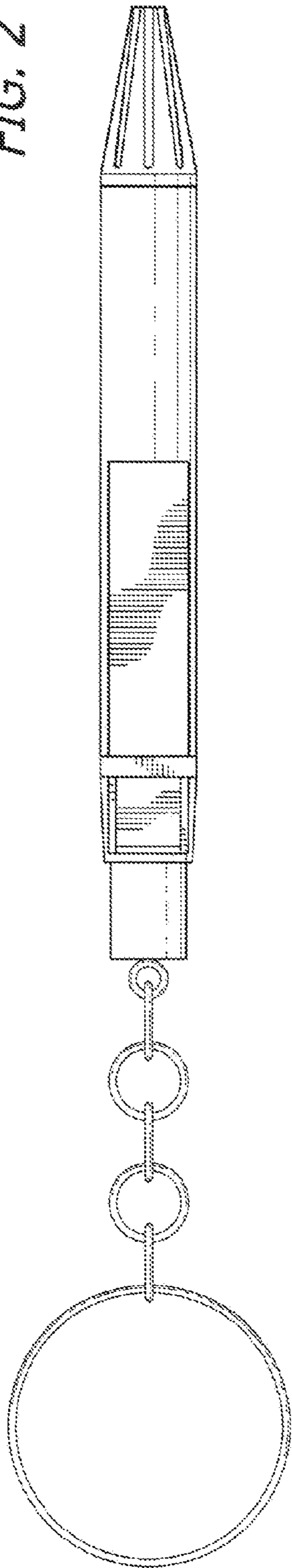


FIG. 3

