



US00D669124S

(12) **United States Design Patent**
Jiang

(10) **Patent No.:** **US D669,124 S**

(45) **Date of Patent:** **** Oct. 16, 2012**

(54) **MARKER**

(75) Inventor: **Linghua Jiang**, Ningbo (CN)

(73) Assignee: **Beifa Group Co., Ltd.**, Ningbo (CN)

(**) Term: **14 Years**

(21) Appl. No.: **29/396,499**

(22) Filed: **Jun. 30, 2011**

(30) **Foreign Application Priority Data**

Jan. 17, 2011 (CN) 2011 3 0007466

(51) **LOC (9) Cl.** **19-06**

(52) **U.S. Cl.** **D19/41**

(58) **Field of Classification Search** D19/35,
D19/36, 41-51, 54-58; D14/411; 24/11 F,
24/11 P, 11 R; 401/52, 99-109, 192, 195,
401/196

See application file for complete search history.

(56) **References Cited**

U.S. PATENT DOCUMENTS

D265,600 S *	7/1982	Ballereaud	D28/88
D331,940 S *	12/1992	Shirai et al.	D19/51
D335,936 S *	5/1993	Lou	D28/86
D382,369 S *	8/1997	Yang	D28/85
D400,301 S *	10/1998	Wong	D28/45
D450,889 S	11/2001	Chang	
D467,391 S *	12/2002	Orsomando	D28/76
D471,587 S	3/2003	Hautzinger	
D479,856 S	9/2003	Hui	
D482,397 S *	11/2003	Hui	D19/43
D488,506 S	4/2004	Mandel	
D496,398 S *	9/2004	Greenberg	D19/43

D497,038 S	10/2004	Tsai	
D545,364 S	6/2007	Ternovits	
D559,312 S *	1/2008	Yagyu	D19/43
D566,762 S	4/2008	Qiu	
D573,639 S *	7/2008	Qiu et al.	D19/43
D580,489 S *	11/2008	Ma	D19/36
D610,195 S *	2/2010	Liu	D19/41
D619,650 S *	7/2010	Shi	D19/36
D641,787 S *	7/2011	Tan	D19/48

OTHER PUBLICATIONS

Liu, D., "Marker," U.S. Appl. No. 29/394,219, filed Jun. 14, 2011.

* cited by examiner

Primary Examiner — Elizabeth Albert

(74) *Attorney, Agent, or Firm* — Christensen O'Connor Johnson Kindness PLLC

(57) **CLAIM**

The ornamental design for a marker, as shown and described.

DESCRIPTION

FIG. 1 is a lower front left perspective view of a marker showing my new design;

FIG. 2 is a front elevation view thereof;

FIG. 3 is a rear elevation view thereof;

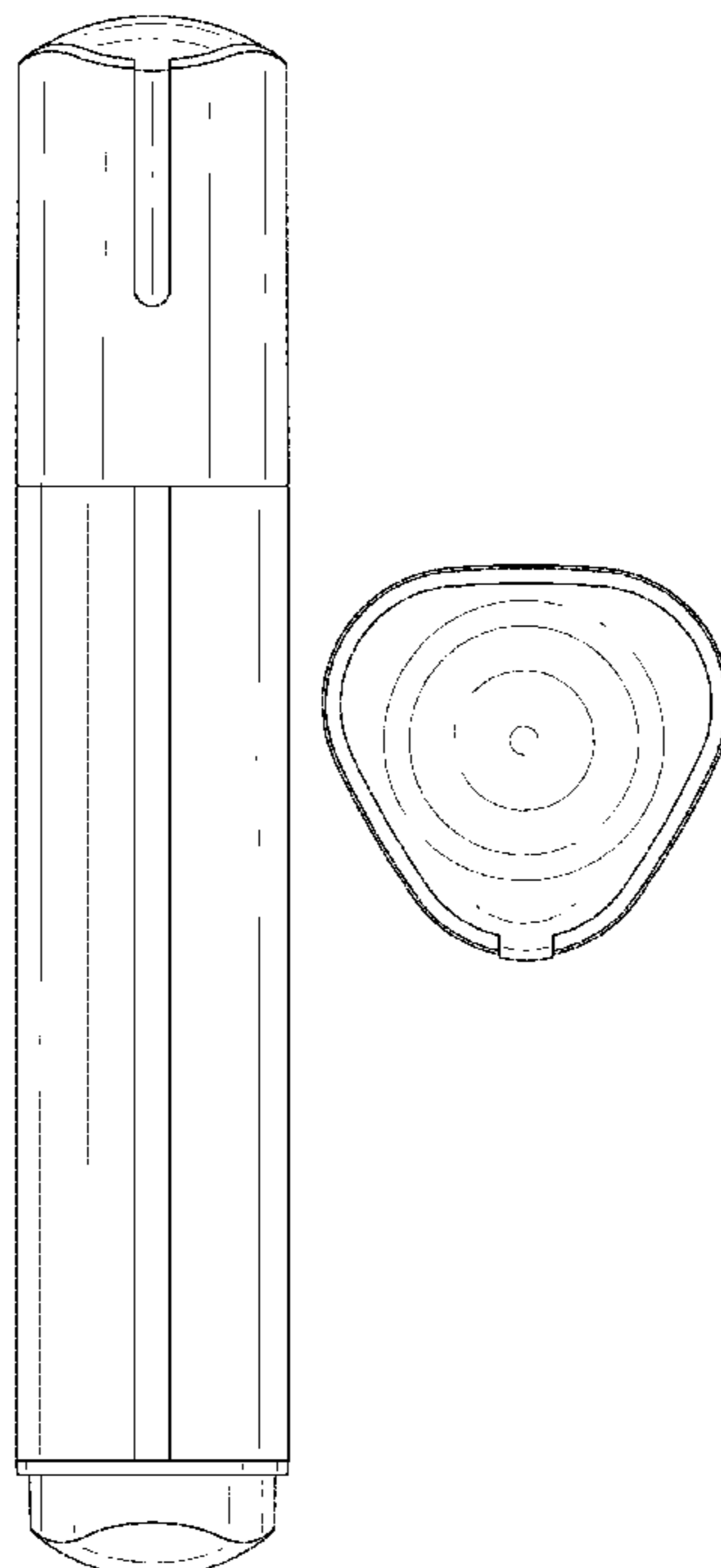
FIG. 4 is a right side elevation view thereof, with the left side elevation view being a mirror image of the right side elevation view;

FIG. 5 is an enlarged top plan view thereof; and,

FIG. 6 is an enlarged bottom plan view thereof.

The broken lines shown in FIGS. 1 and 6 illustrate environmental subject matter and form no part of the claimed design.

1 Claim, 4 Drawing Sheets



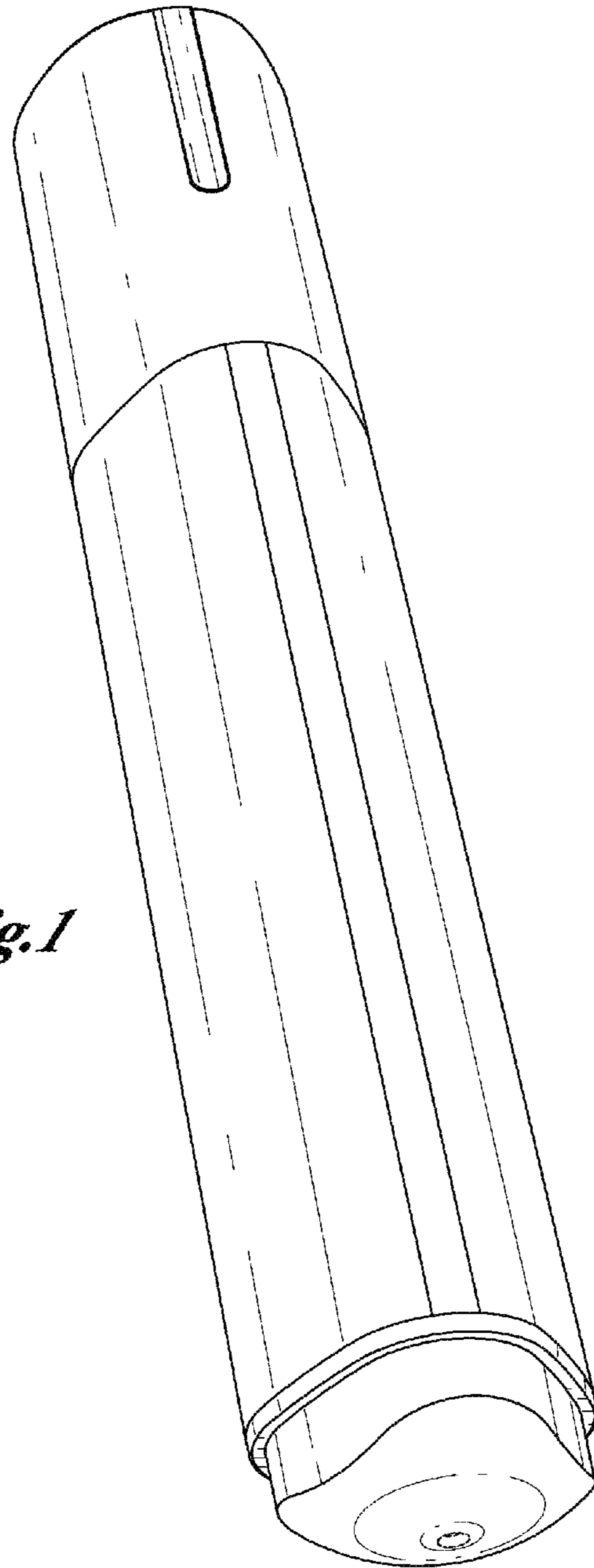


Fig. 1

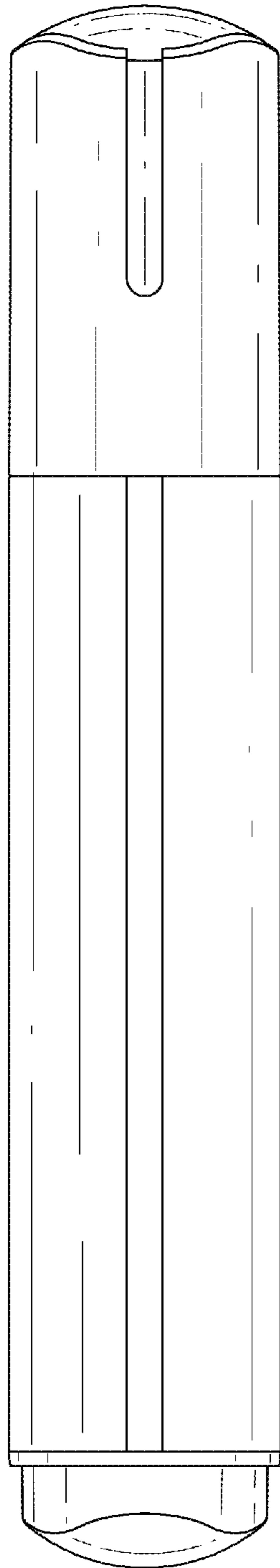


Fig. 2

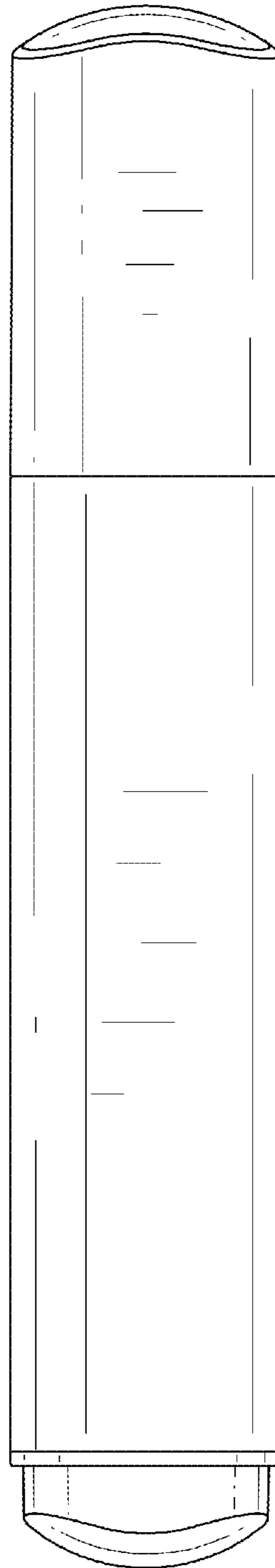


Fig. 3

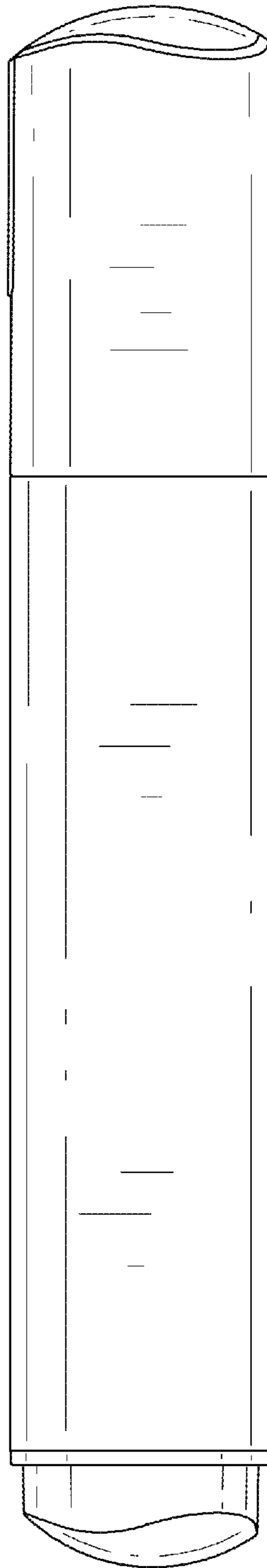


Fig. 4

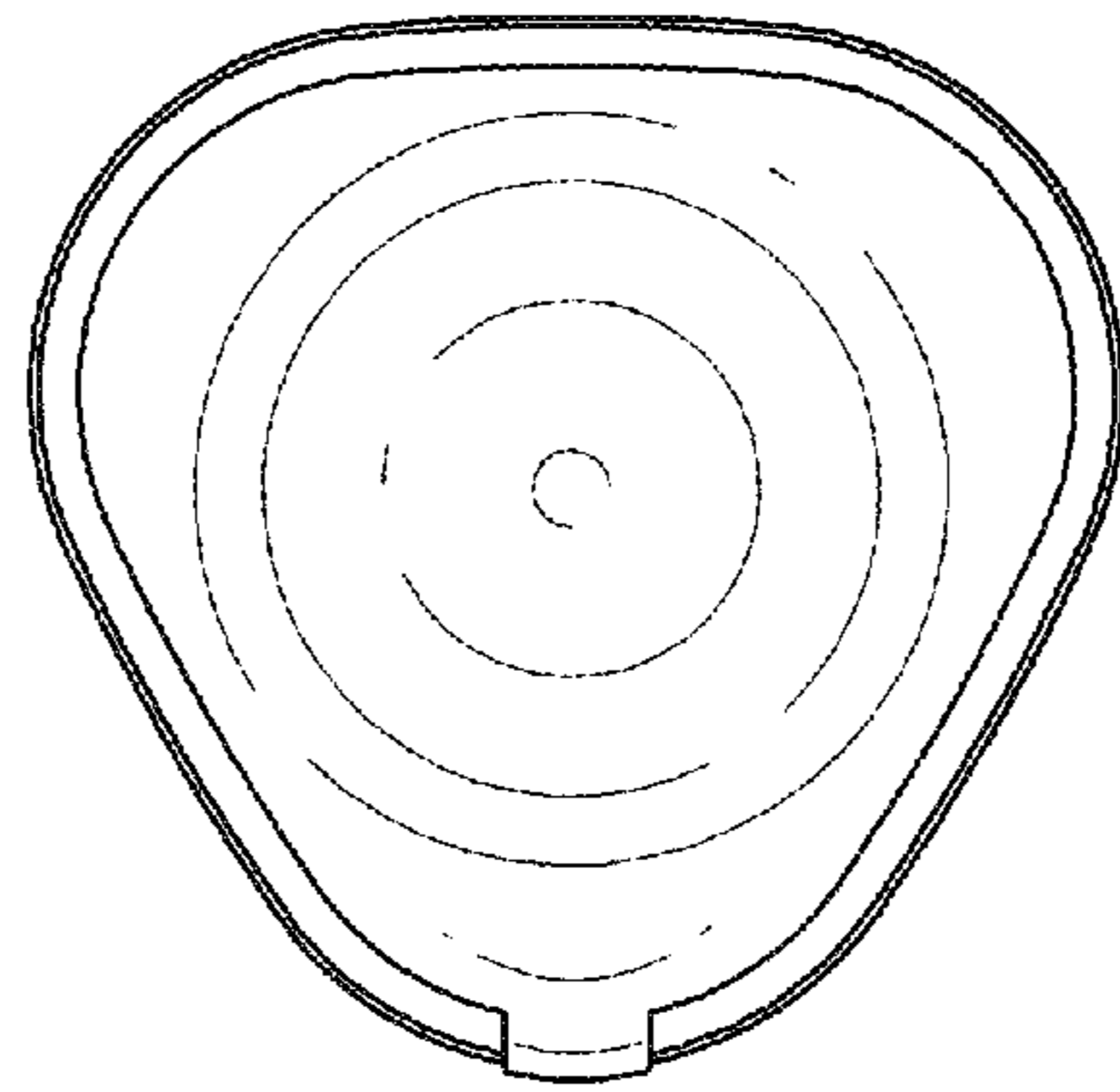


Fig. 5

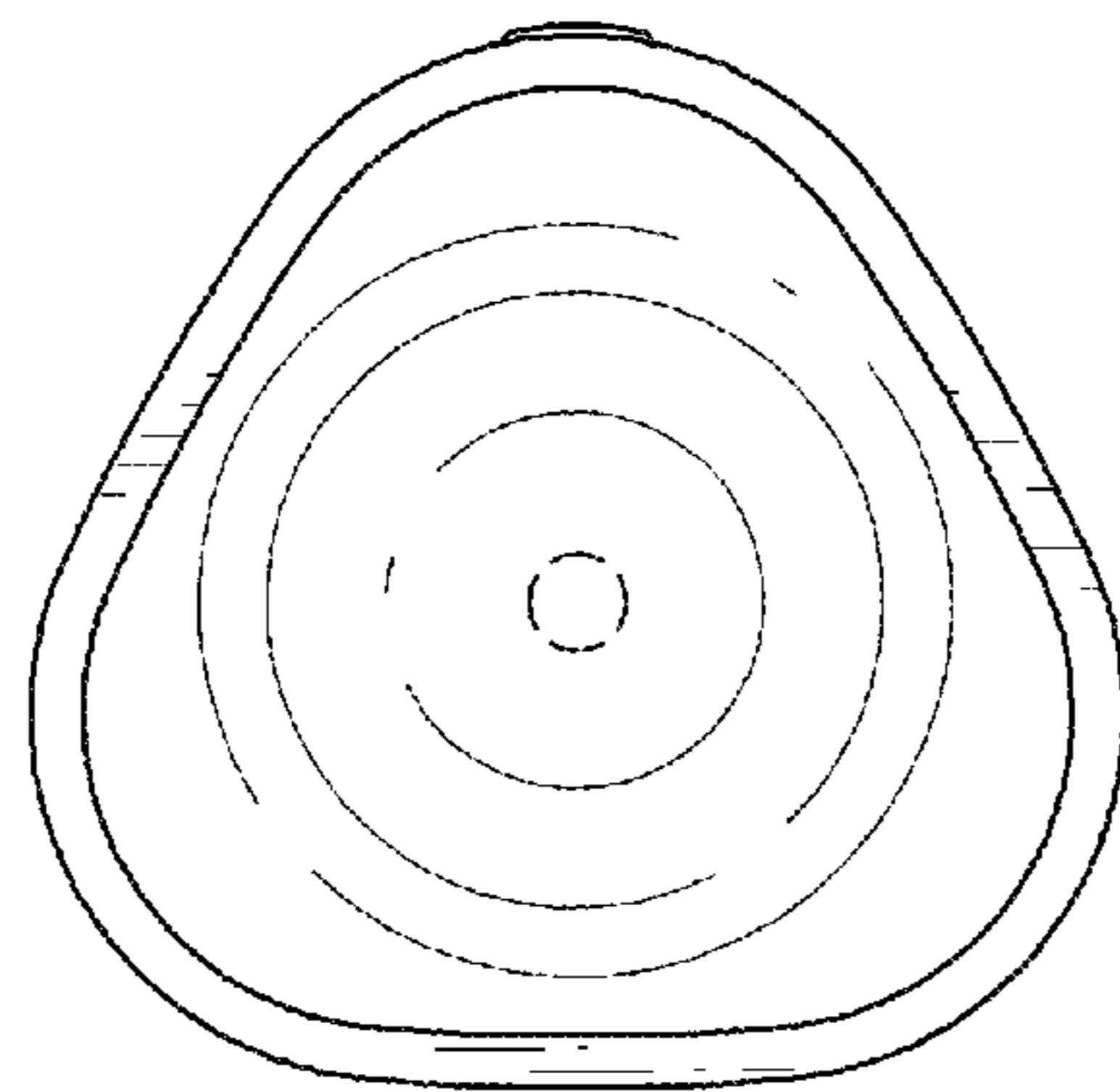


Fig. 6