

US00D669123S

(12) **United States Design Patent**
Jiang

(10) **Patent No.:** **US D669,123 S**

(45) **Date of Patent:** **** Oct. 16, 2012**

(54) **MARKER**

(75) Inventor: **Linghua Jiang**, Ningbo (CN)

(73) Assignee: **Beifa Group Co., Ltd.**, Ningbo (CN)

(**) Term: **14 Years**

(21) Appl. No.: **29/396,493**

(22) Filed: **Jun. 30, 2011**

(30) **Foreign Application Priority Data**

Jan. 17, 2011 (CN) 2011 3 0007296

(51) **LOC (9) Cl.** **19-06**

(52) **U.S. Cl.** **D19/41**

(58) **Field of Classification Search** D19/35,
D19/36, 41-51, 54-58; D14/411; 24/11 F,
24/11 P, 11 R; 401/52, 99-109, 192, 195,
401/196

See application file for complete search history.

(56) **References Cited**

U.S. PATENT DOCUMENTS

D260,272 S *	8/1981	Horntrich	D19/43
D268,935 S *	5/1983	Horntrich	D19/43
D295,537 S *	5/1988	Davidson et al.	D19/43
D300,331 S	3/1989	Horntrich		
D301,486 S *	6/1989	Yuen	D19/36
D309,913 S *	8/1990	Shintani	D19/43
D325,931 S *	5/1992	Sekiguchi	D19/43
D329,253 S	9/1992	Sekiguchi		
D332,283 S *	1/1993	Voorhees	D19/51

D340,947 S *	11/1993	Tu	D19/43
D353,227 S *	12/1994	Desgrippes	D28/85
D361,638 S *	8/1995	Desgrippes	D28/76
D369,184 S	4/1996	Collins		
D389,515 S *	1/1998	Van Swieten	D19/36
D476,363 S *	6/2003	Hung	D19/43
D482,065 S *	11/2003	Hung	D19/36
D572,307 S	7/2008	Qiu		
D612,421 S *	3/2010	Suero et al.	D19/41
D628,628 S *	12/2010	Hung	D19/36
D628,631 S	12/2010	Liu		

OTHER PUBLICATIONS

Chen, B., "Marker," U.S. Appl. No. 29/392,721, filed May 25, 2011.

* cited by examiner

Primary Examiner — Elizabeth Albert

(74) *Attorney, Agent, or Firm* — Christensen O'Connor Johnson Kindness PLLC

(57) **CLAIM**

The ornamental design for a marker, as shown and described.

DESCRIPTION

FIG. 1 is an upper front right perspective view of a marker showing my new design;

FIG. 2 is a front elevation view thereof;

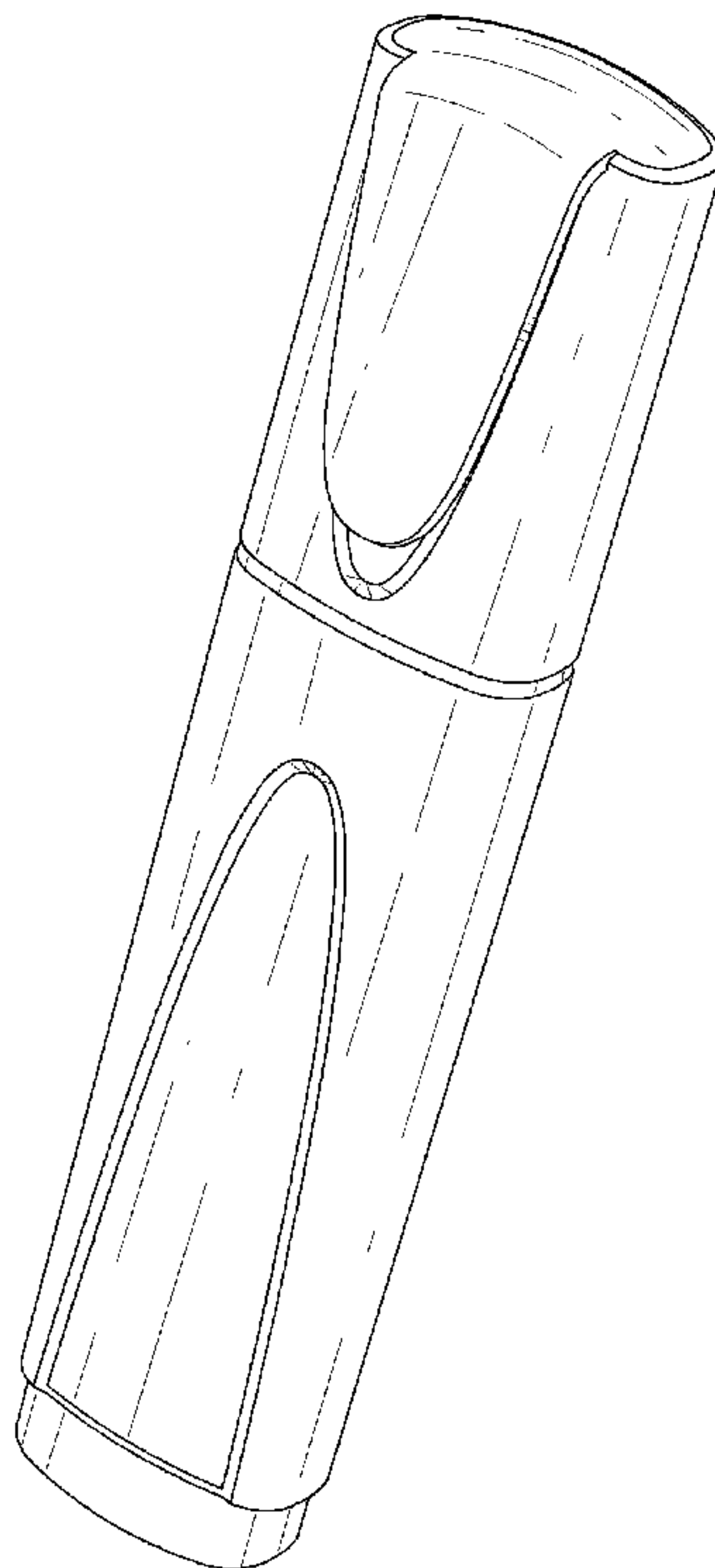
FIG. 3 is a right side elevation view thereof, with the left side elevation view being a minor image of the right side elevation view;

FIG. 4 is a rear elevation view thereof;

FIG. 5 is an enlarged top plan view thereof; and,

FIG. 6 is an enlarged bottom plan view thereof.

1 Claim, 4 Drawing Sheets



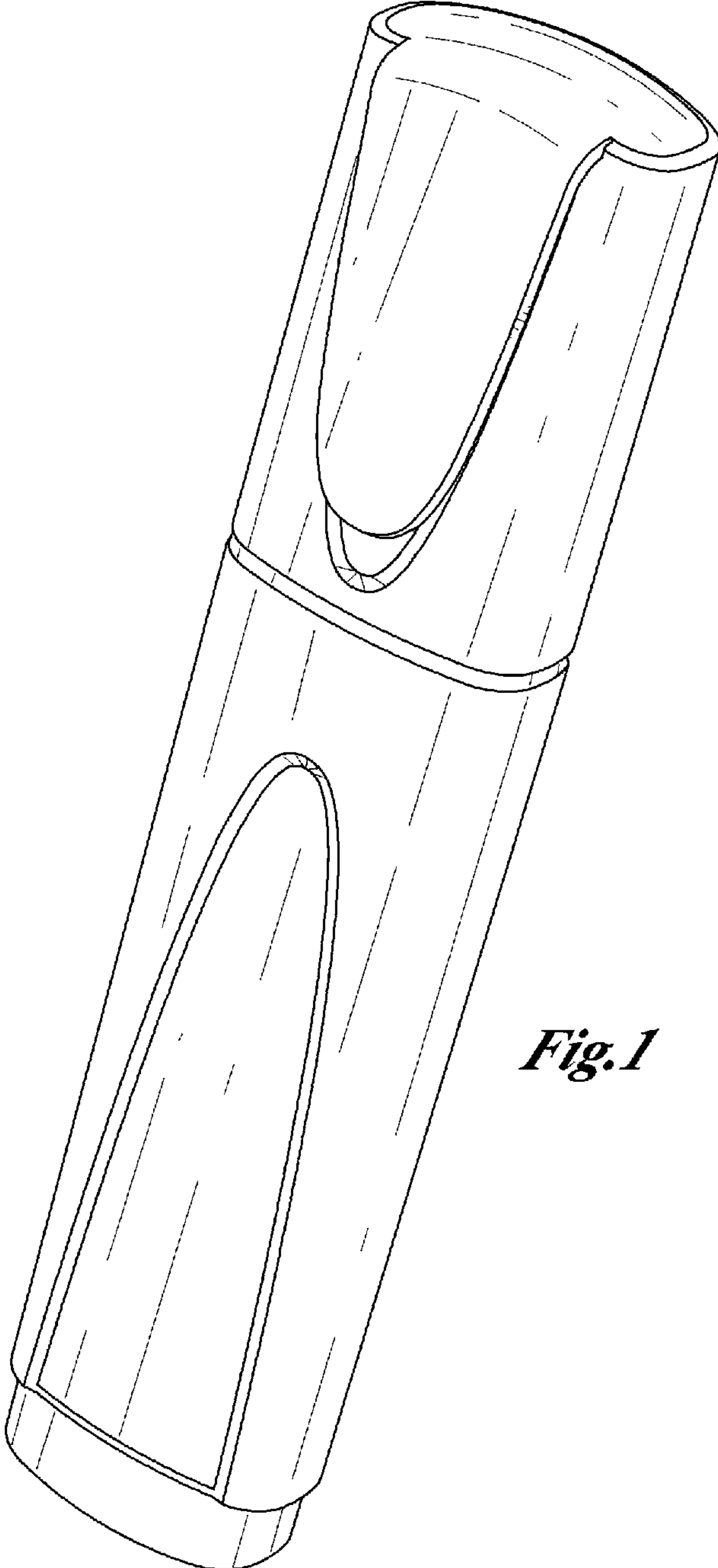


Fig.1

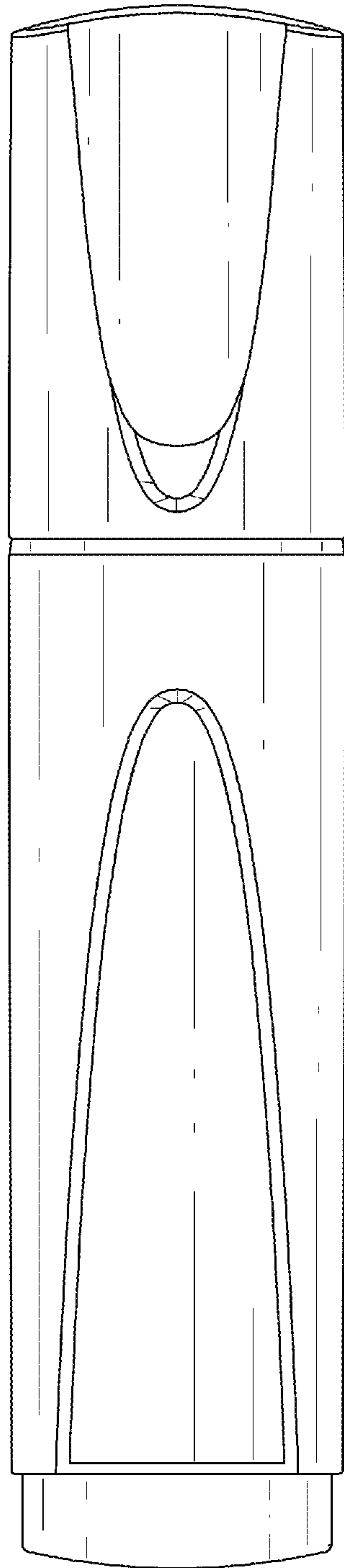


Fig. 2

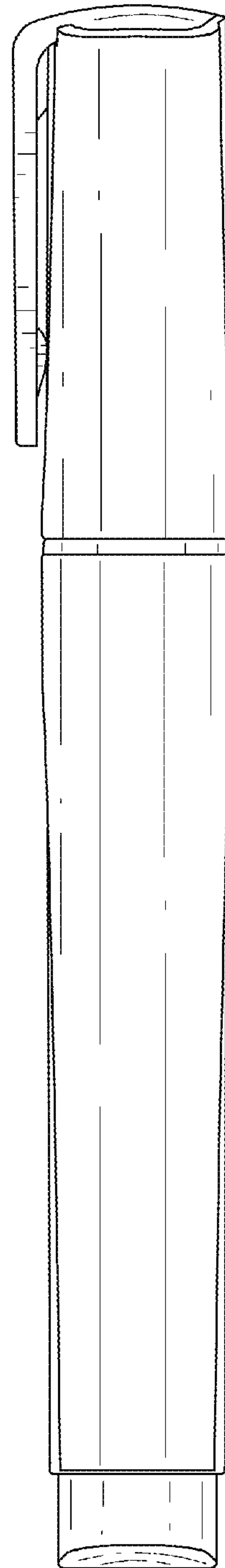


Fig. 3

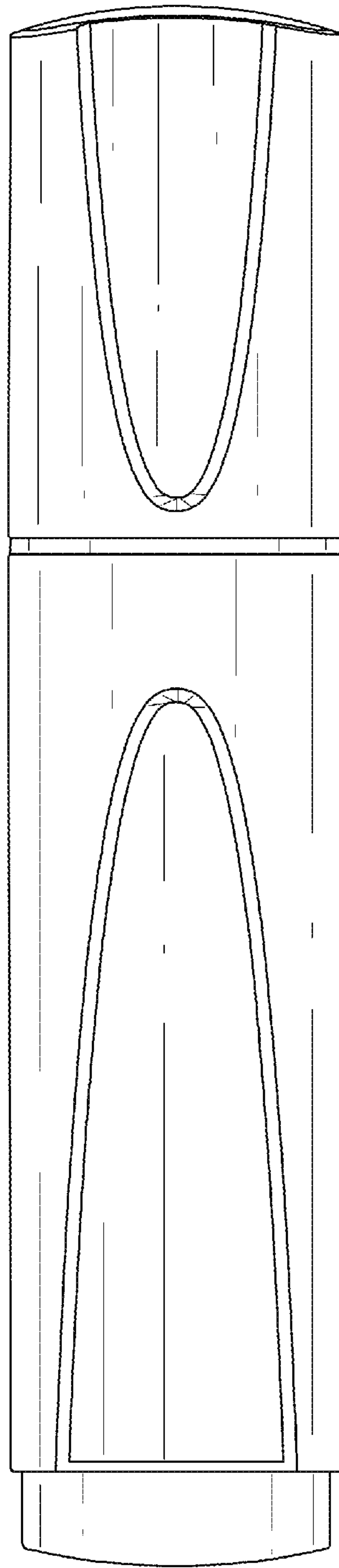


Fig.4

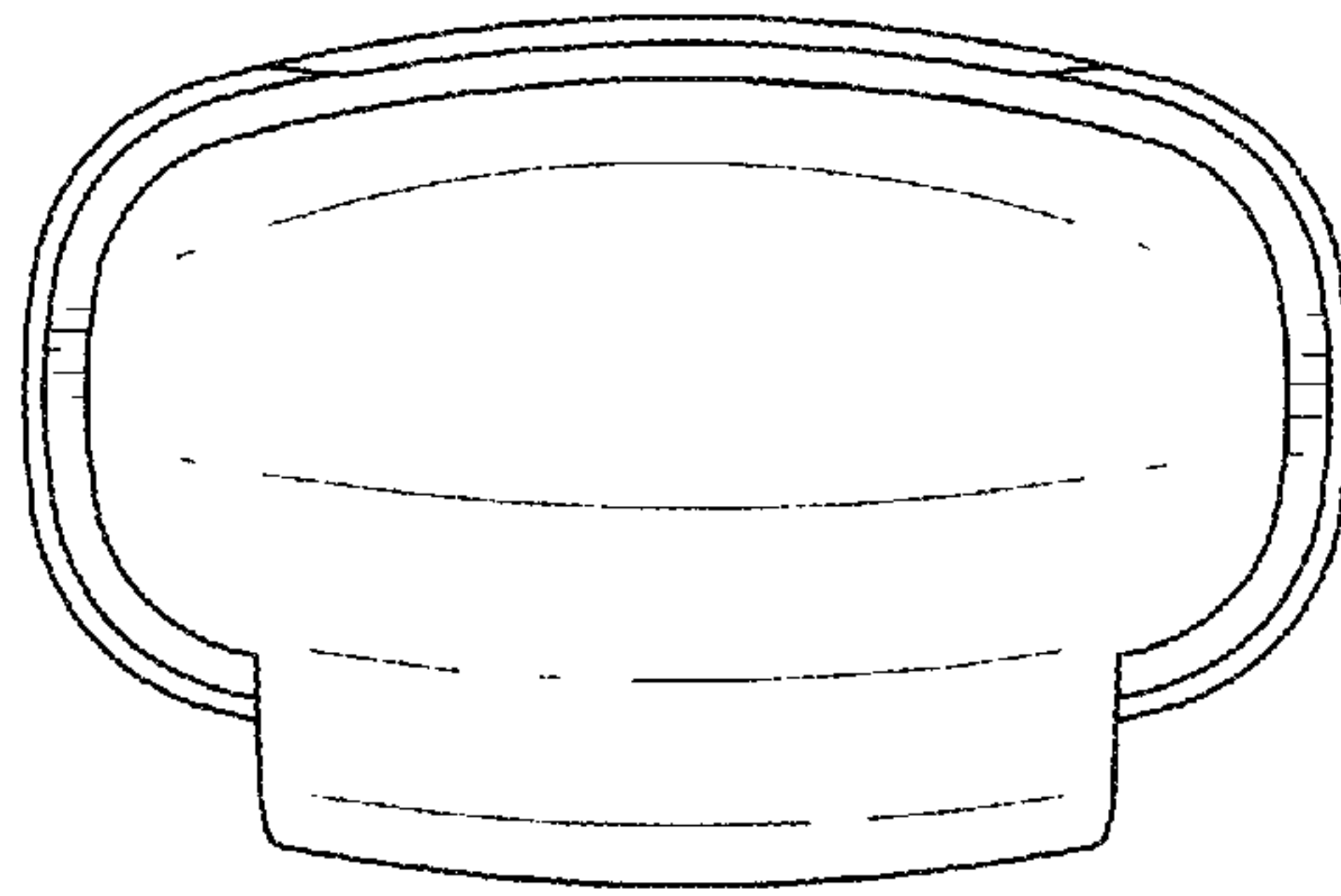


Fig. 5

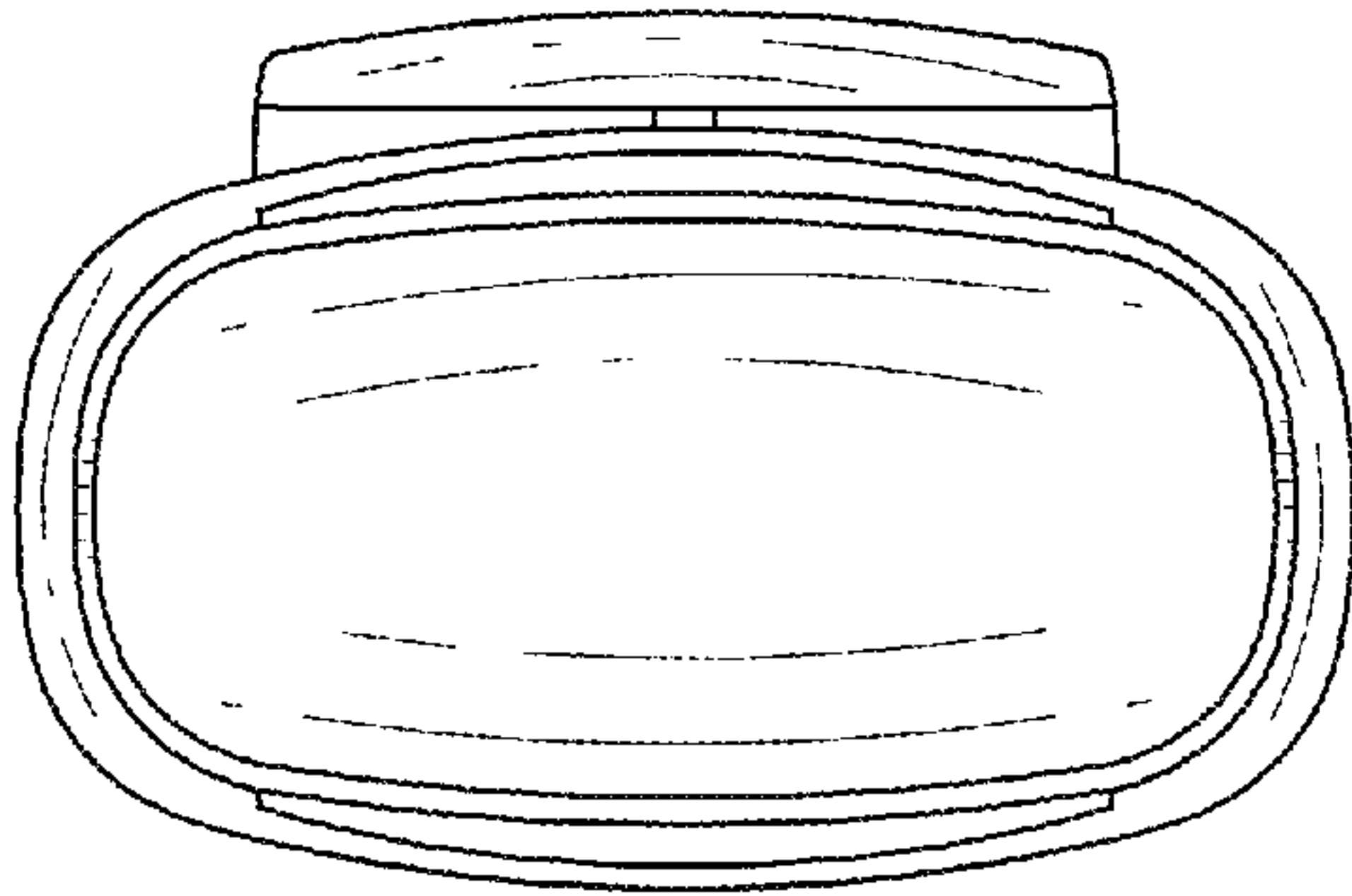


Fig. 6

UNITED STATES PATENT AND TRADEMARK OFFICE
CERTIFICATE OF CORRECTION

PATENT NO. : D669,123 S
APPLICATION NO. : 29/396493
DATED : October 16, 2012
INVENTOR(S) : L. Jiang

Page 1 of 1

It is certified that error appears in the above-identified patent and that said Letters Patent is hereby corrected as shown below:

COLUMN

LINE

Title Page,
Item (57) col. 2

Description
line 5

“minor image” should read
--mirror image--

Signed and Sealed this
Fourteenth Day of May, 2013



Teresa Stanek Rea
Acting Director of the United States Patent and Trademark Office