



US00D669121S

(12) **United States Design Patent**
May

(10) **Patent No.:** **US D669,121 S**

(45) **Date of Patent:** **** Oct. 16, 2012**

(54) **TWO PANEL FOLIO**

(76) Inventor: **Brian May**, Chattanooga, TN (US)

(**) Term: **14 Years**

(21) Appl. No.: **29/390,402**

(22) Filed: **Apr. 25, 2011**

(51) **LOC (9) Cl.** **19-04**

(52) **U.S. Cl.** **D19/26**

(58) **Field of Classification Search** D19/26-31,
D19/86; D3/301, 303, 276, 285, 289; 281/15.1,
281/19.1, 29; 283/64; 402/73, 79
See application file for complete search history.

D512,100 S * 11/2005 Howes et al. D19/86
D512,367 S * 12/2005 Eskandry D12/417
D559,907 S * 1/2008 Howe D19/27
D573,638 S * 7/2008 Takaghi D19/26
7,661,900 B2 * 2/2010 Merzon 402/70
D639,852 S * 6/2011 Franklin D19/26

* cited by examiner

Primary Examiner — T. Chase Nelson

Assistant Examiner — Kathleen M Sims

(74) *Attorney, Agent, or Firm* — Stephen J. Stark; Miller & Martin PLLC

(57) **CLAIM**

The ornamental design for a two panel folio, as shown and described.

DESCRIPTION

FIG. 1 is a perspective view of the two panel folio showing my new design.

FIG. 2 is a front side elevational view thereof;

FIG. 3 is a bottom plan view thereof;

FIG. 4 is a back elevational view;

FIG. 5 is a left side elevational view thereof;

FIG. 6 is a right side elevational view thereof; and,

FIG. 7 is a top plan view thereof.

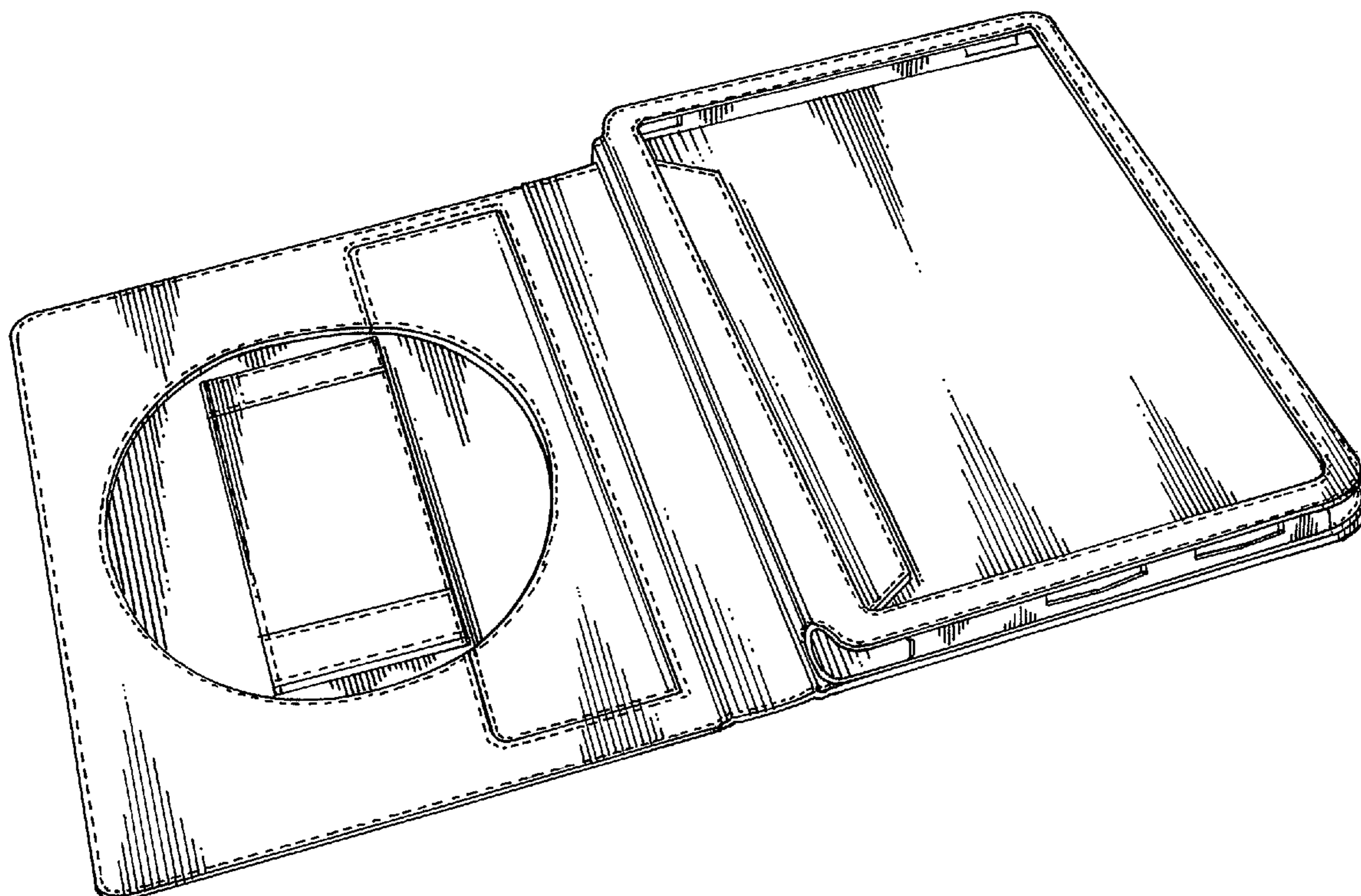
The dashed lines in the drawings illustrate stitching, which forms a part of the claimed design.

1 Claim, 4 Drawing Sheets

(56) **References Cited**

U.S. PATENT DOCUMENTS

D271,887 S * 12/1983 Williams D19/26
D352,604 S * 11/1994 Johnson D3/303
D354,983 S * 1/1995 Tumulty D19/32
D368,489 S * 4/1996 Gray D19/26
D382,900 S * 8/1997 Wyant D19/27
D383,492 S * 9/1997 Siemon et al. D19/26
D383,896 S * 9/1997 Whang D3/254
D391,605 S * 3/1998 Wyant D19/27
6,079,528 A * 6/2000 Moor 190/126
D435,863 S * 1/2001 Eskandry D19/27
6,250,834 B1 * 6/2001 Wien 402/73
D497,051 S * 10/2004 Nieves D3/301



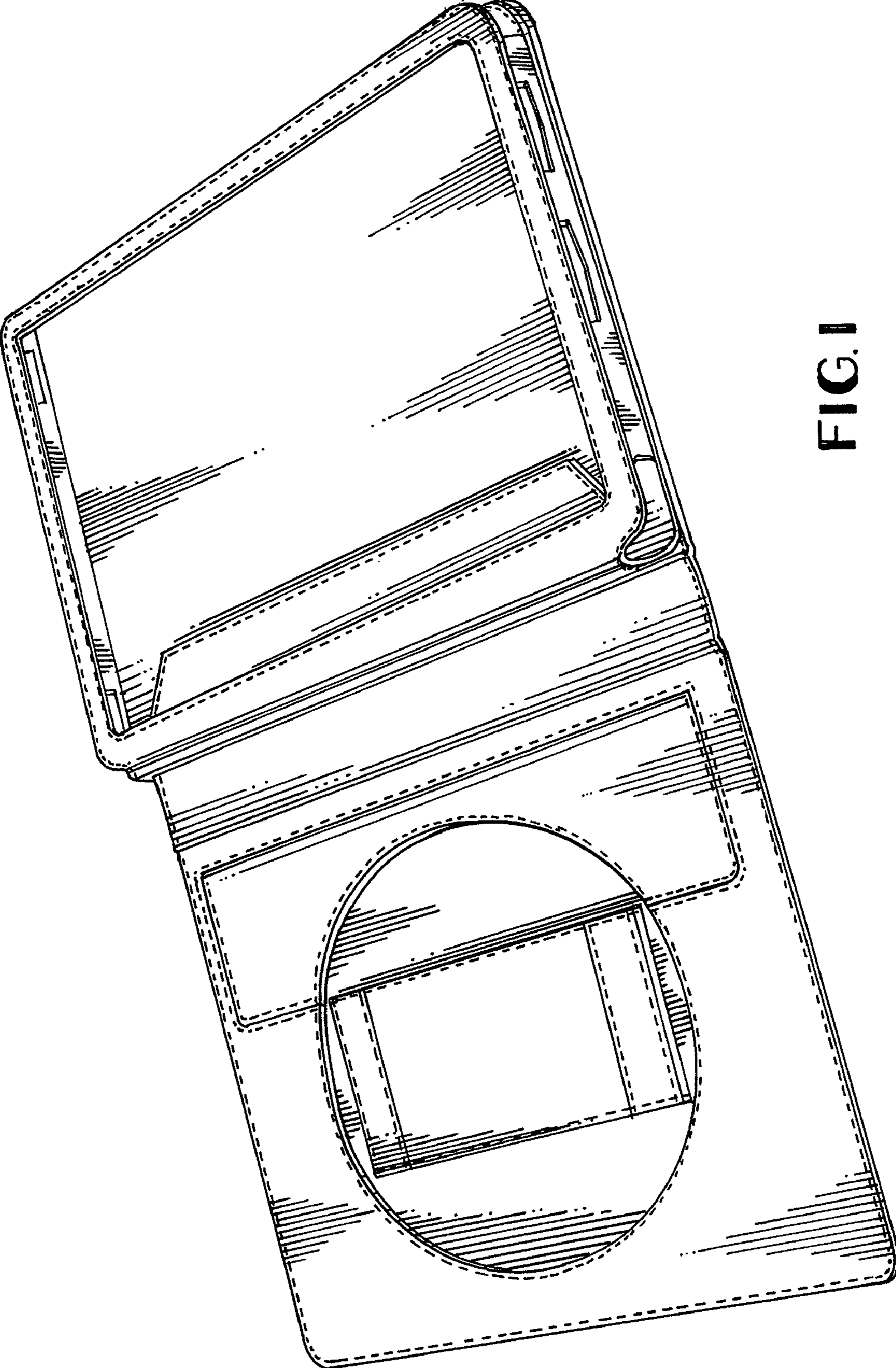


FIG. 1

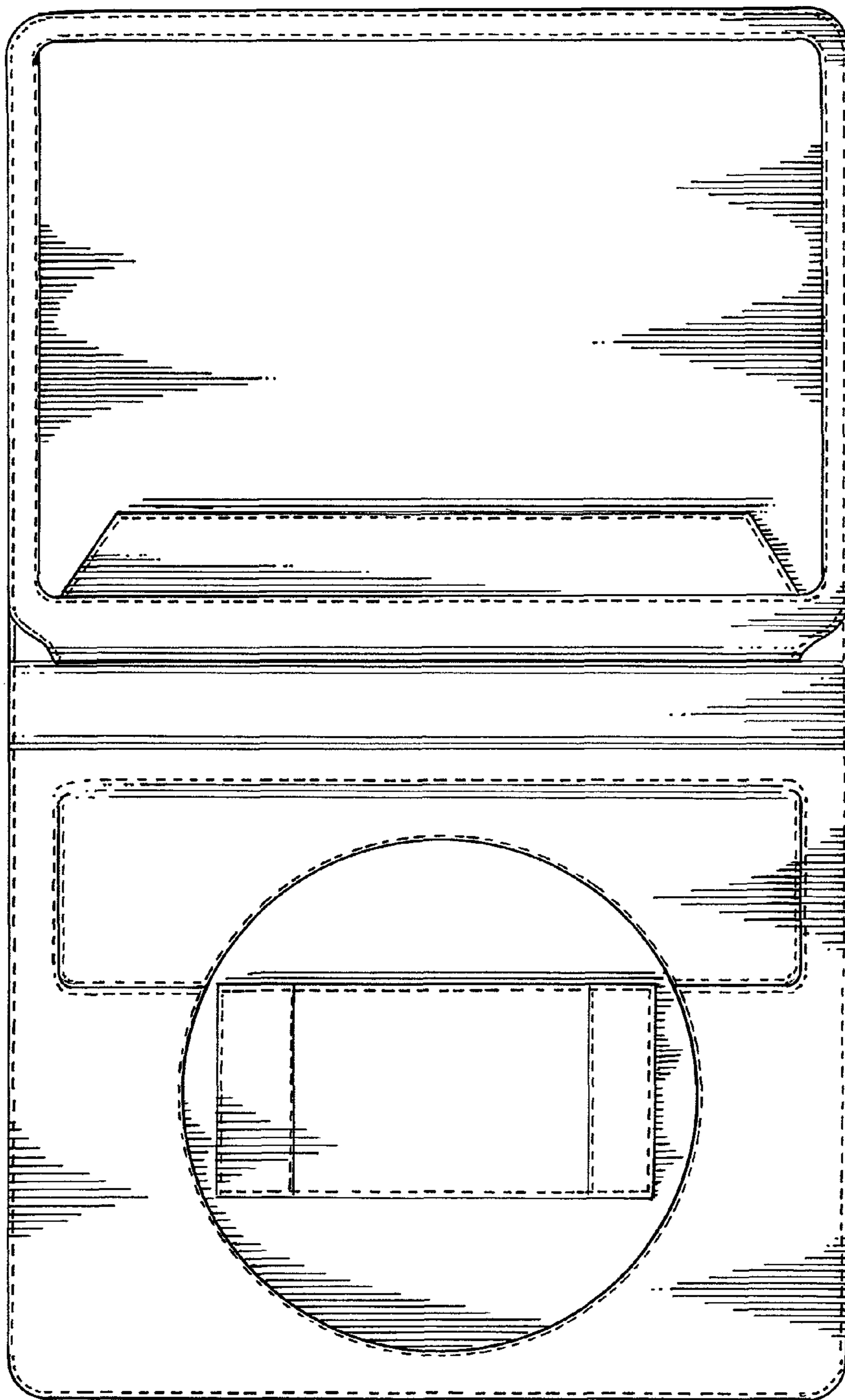


FIG. 2



FIG. 3

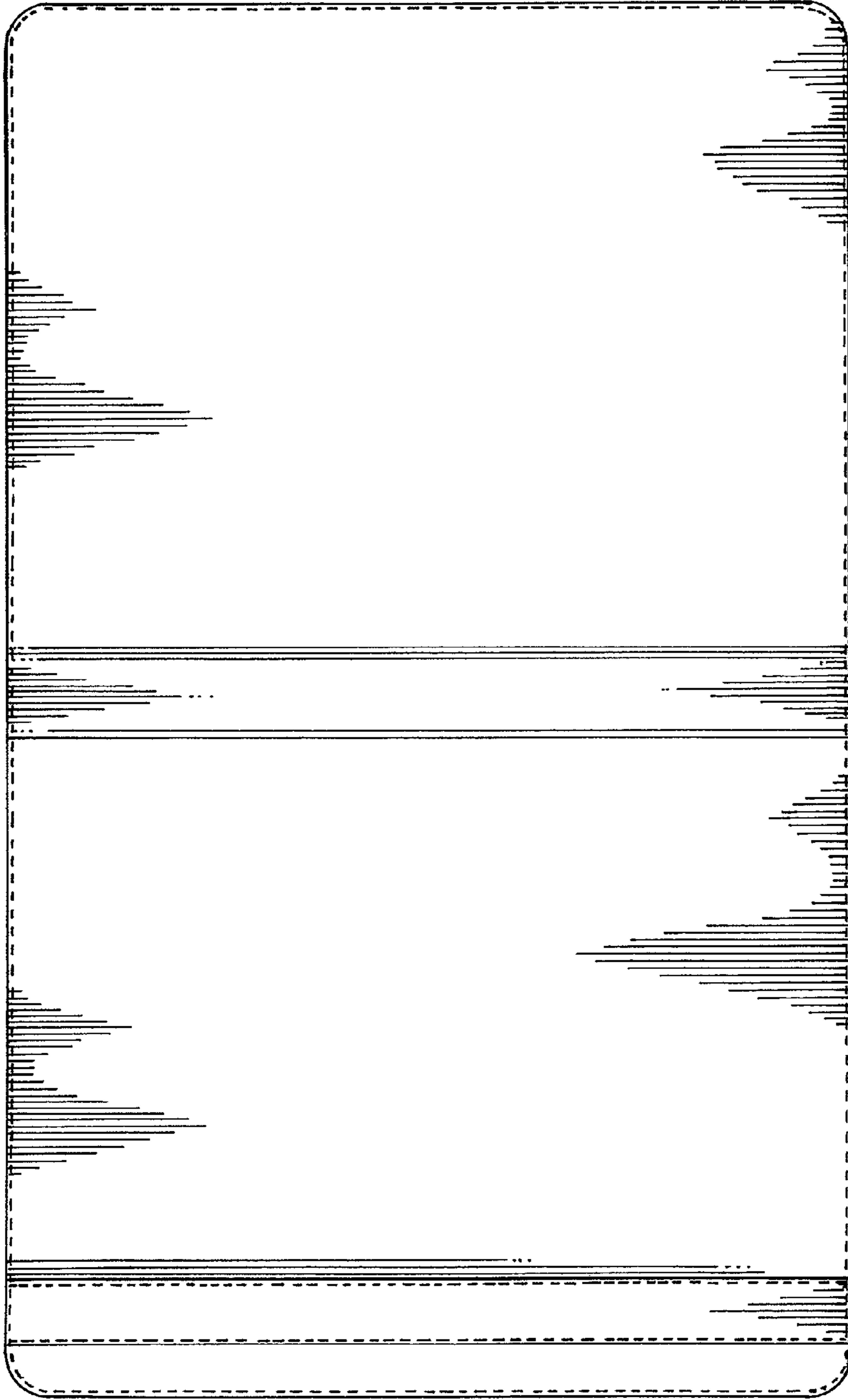


FIG. 4

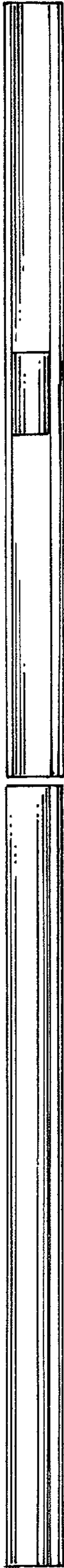


FIG. 5

FIG. 6



FIG. 7