



US00D669119S

(12) **United States Design Patent**
Sato et al.

(10) **Patent No.:** **US D669,119 S**

(45) **Date of Patent:** **** Oct. 16, 2012**

(54) **PRINTER**

(75) Inventors: **Yukihiko Sato**, Nagoya (JP); **Yusuke Nakata**, Kounan (JP); **Tomoyuki Nanno**, Nagoya (JP)

(73) Assignee: **Brother Industries, Ltd.**, Nagoya (JP)

(**) Term: **14 Years**

(21) Appl. No.: **29/401,674**

(22) Filed: **Sep. 14, 2011**

(30) **Foreign Application Priority Data**

Mar. 23, 2011 (JP) 2011-6573

(51) **LOC (9) Cl.** **14-01**

(52) **U.S. Cl.** **D18/50**

(58) **Field of Classification Search** D18/14,
D18/19, 36-37, 50, 54, 54.1, 55; D14/452-425,
D14/463-470; 400/613, 613.1-613.4, 690,
400/690.1-690.4, 691-694

See application file for complete search history.

(56) **References Cited**

U.S. PATENT DOCUMENTS

D289,291 S * 4/1987 Kapper D14/389
D307,894 S * 5/1990 Siemiatkowski D14/426
D328,594 S * 8/1992 Kobayashi D14/424
D341,584 S * 11/1993 Shepard et al. D14/428
5,264,947 A * 11/1993 Nishikawa et al. D18/50
6,172,360 B1 * 1/2001 Khovaylo et al. 250/235

D444,787 S * 7/2001 Tsushima D14/420
D484,532 S * 12/2003 Seo et al. D18/50
D542,794 S * 5/2007 Chen et al. D14/422
D551,287 S * 9/2007 Ishigami et al. D18/50
D558,262 S * 12/2007 Hong et al. D18/50
D582,971 S * 12/2008 Smith et al. D18/50
D583,822 S * 12/2008 Matsumoto et al. D14/453
D617,799 S * 6/2010 Odhe et al. D14/420
7,841,792 B2 * 11/2010 Cook et al. 400/693
D656,182 S * 3/2012 Inada et al. D18/50

* cited by examiner

Primary Examiner — Cathy A MacCormac

(74) *Attorney, Agent, or Firm* — Oliff & Berridge, PLC

(57) **CLAIM**

The ornamental design for a printer, as shown and described.

DESCRIPTION

FIG. 1 is a perspective view of a printer;

FIG. 2 is a front view thereof;

FIG. 3 is a top view thereof;

FIG. 4 is a right-side view thereof;

FIG. 5 is a left-side view thereof;

FIG. 6 is a rear view thereof;

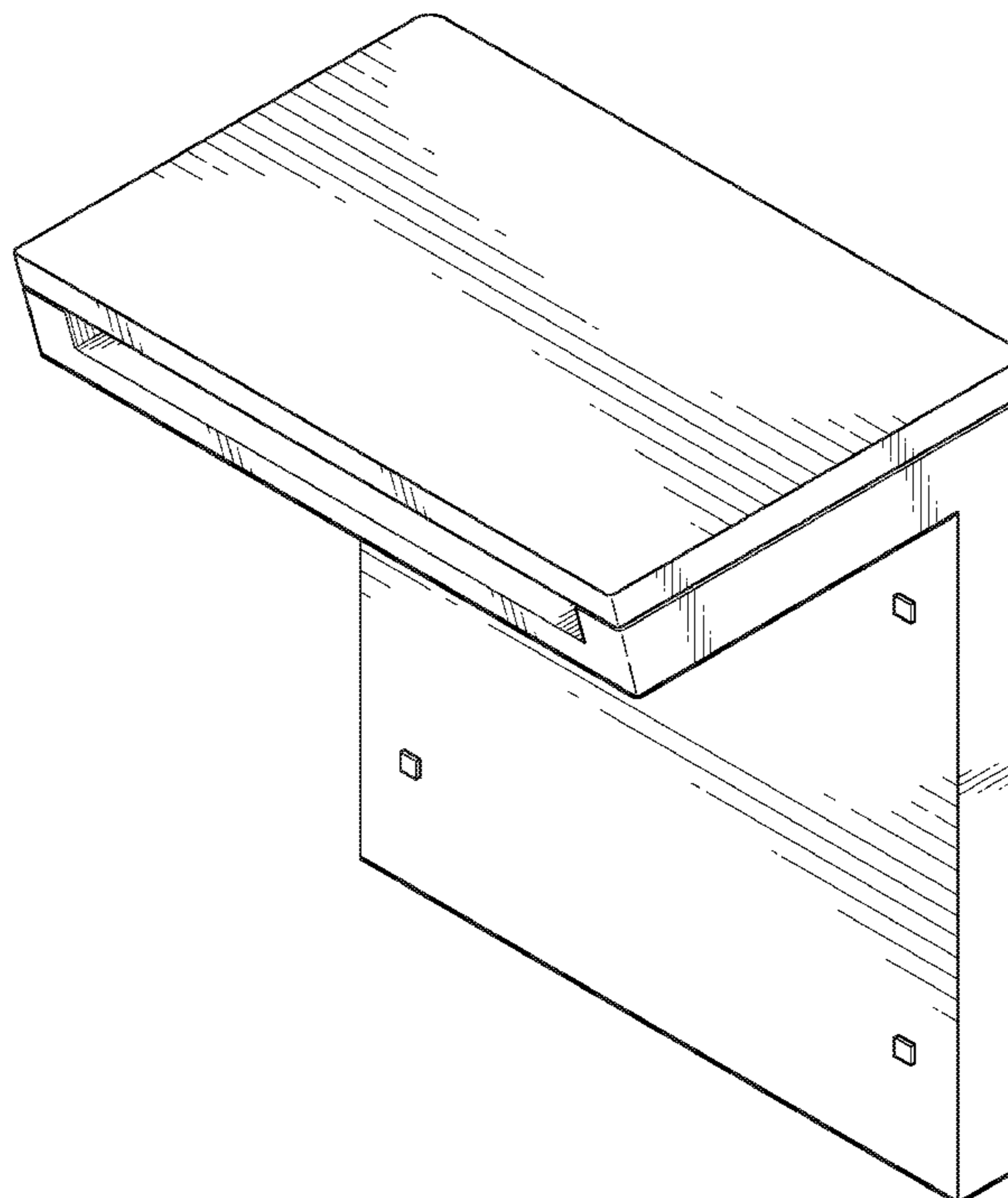
FIG. 7 is a bottom view thereof; and,

FIG. 8 is a cross-sectional view thereof taken along lines 8-8 in FIG. 2.

The broken lines depict environmental subject matter only and form no part of the claimed design.

The dot chain lines illustrate a boundary between claimed and unclaimed surfaces and form no part of the claimed design.

1 Claim, 8 Drawing Sheets



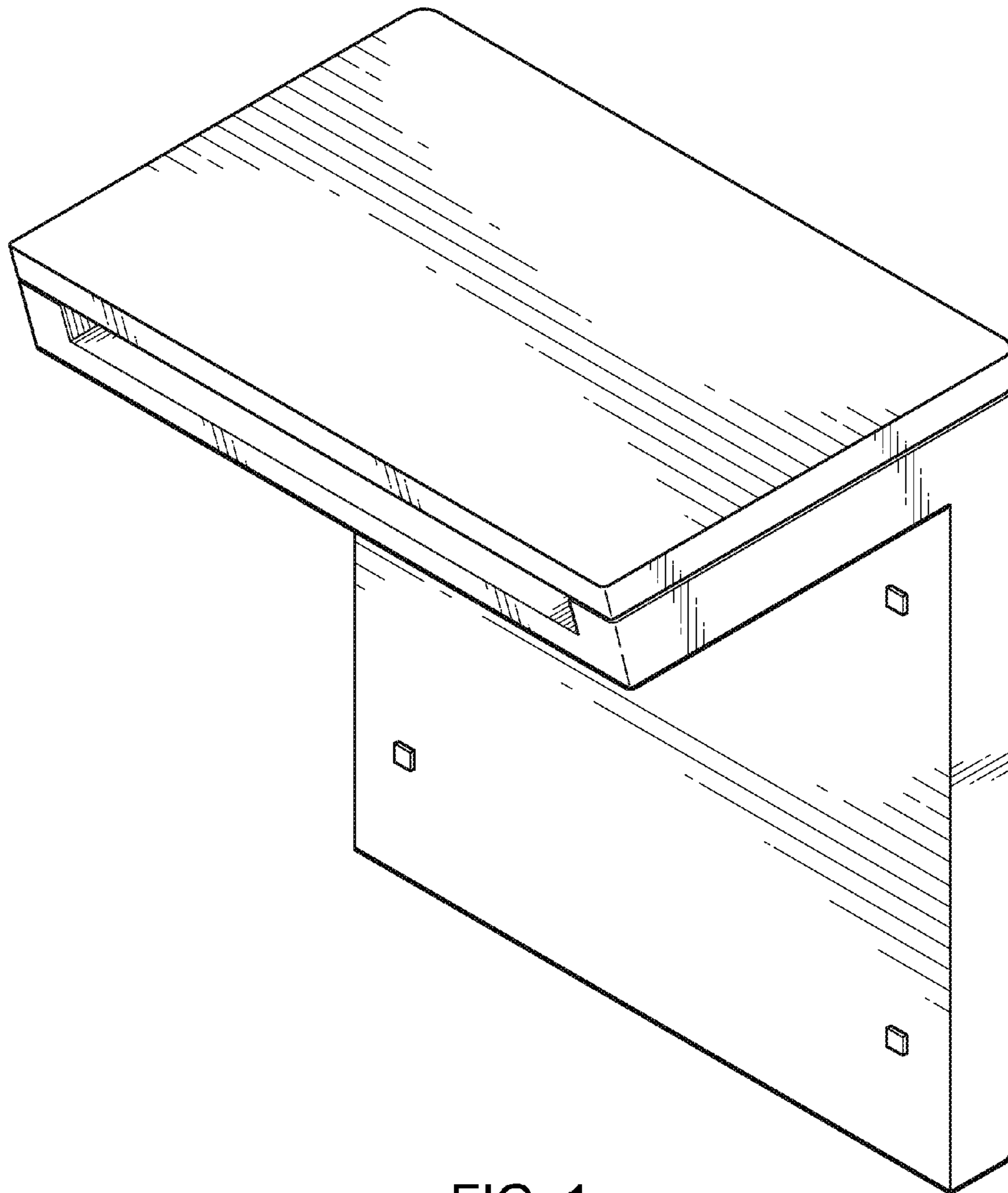


FIG. 1

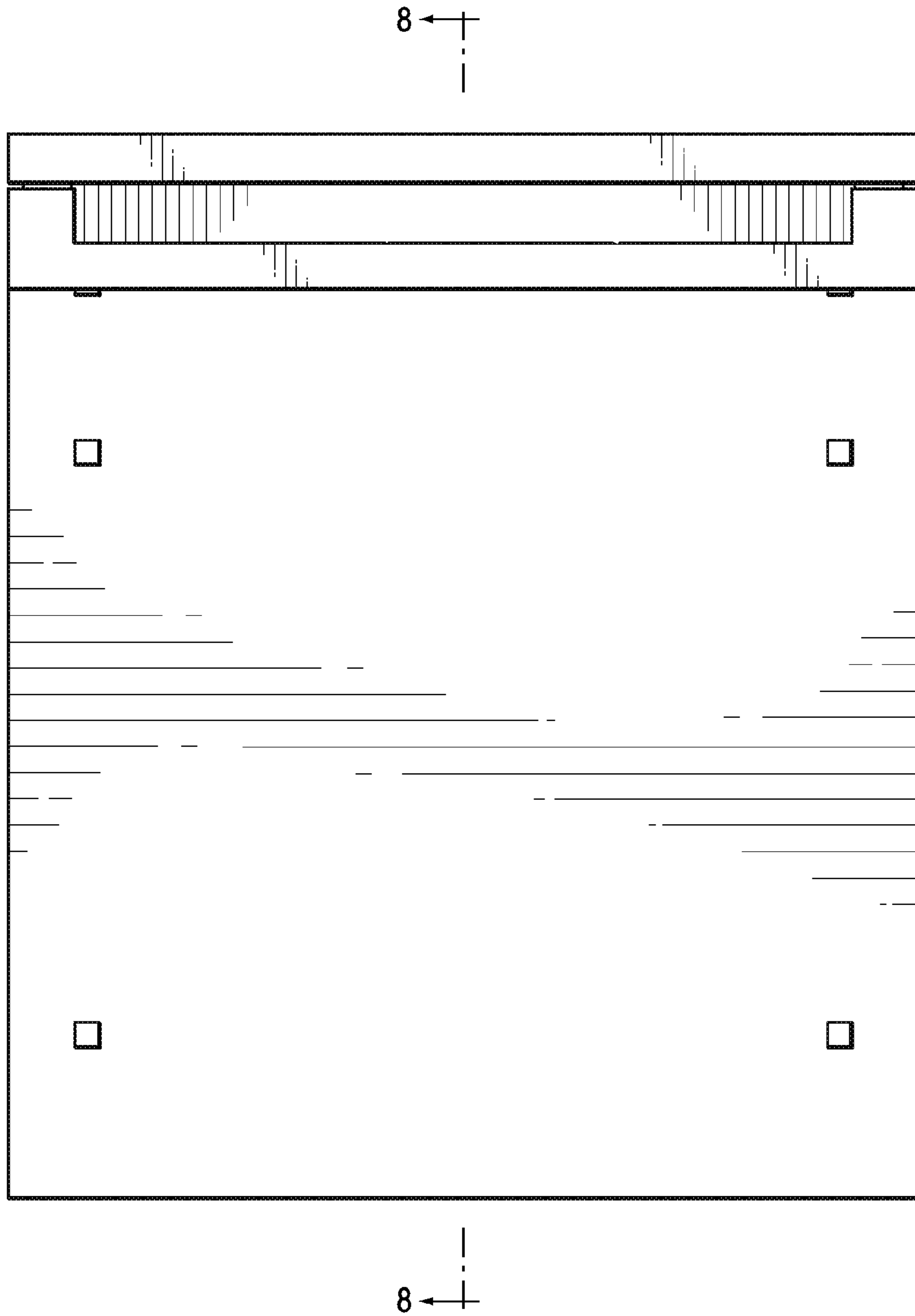


FIG. 2

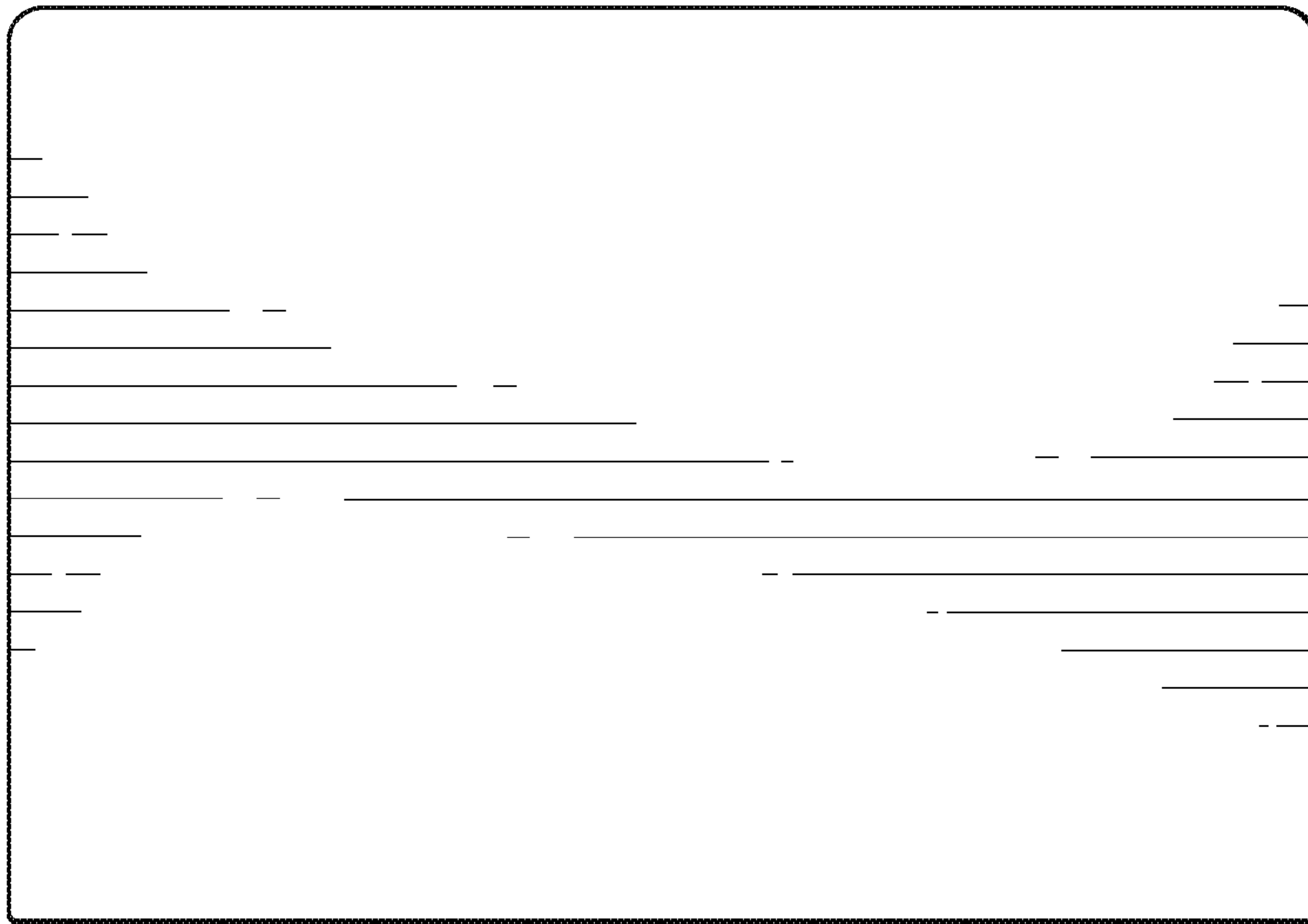


FIG. 3

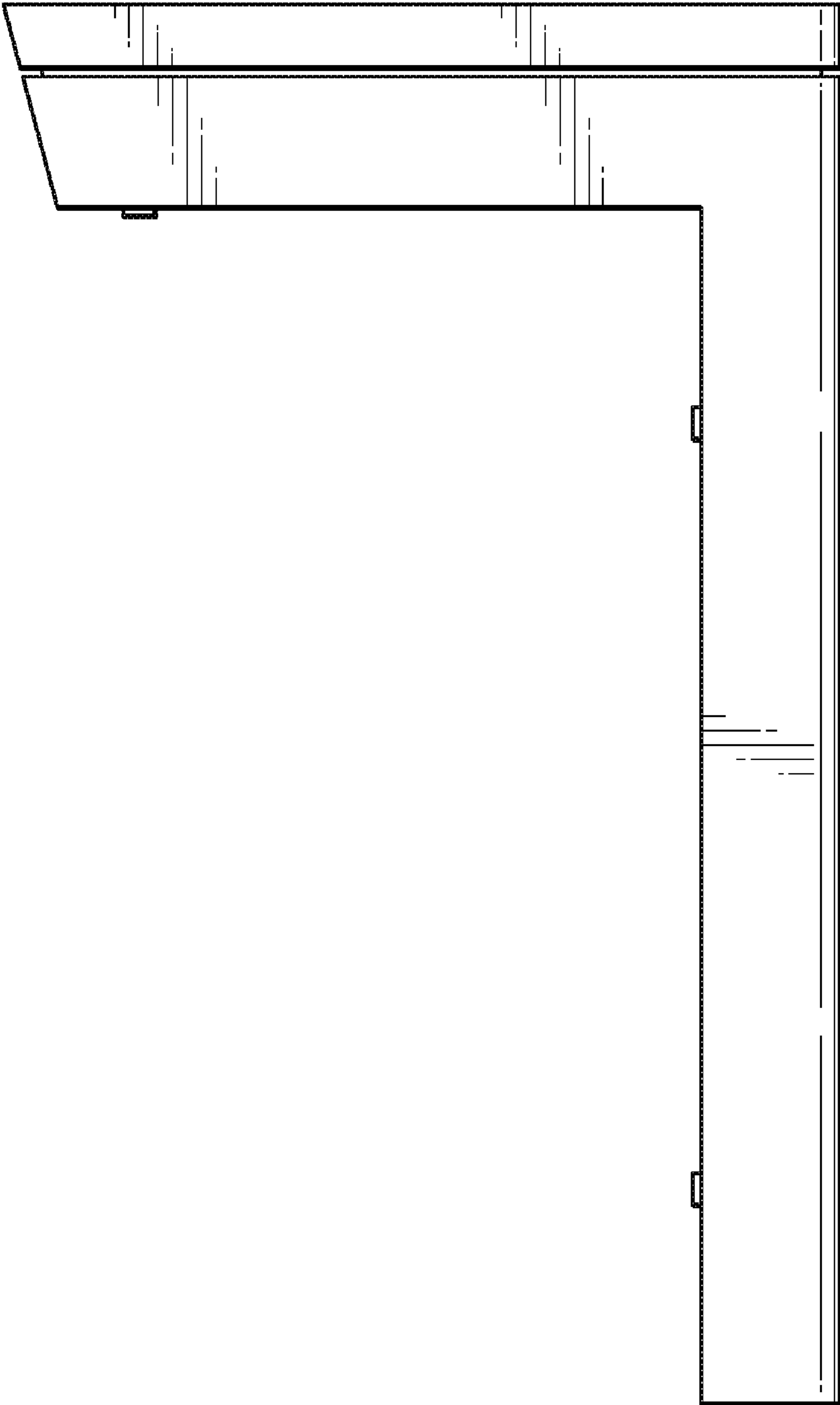


FIG. 4

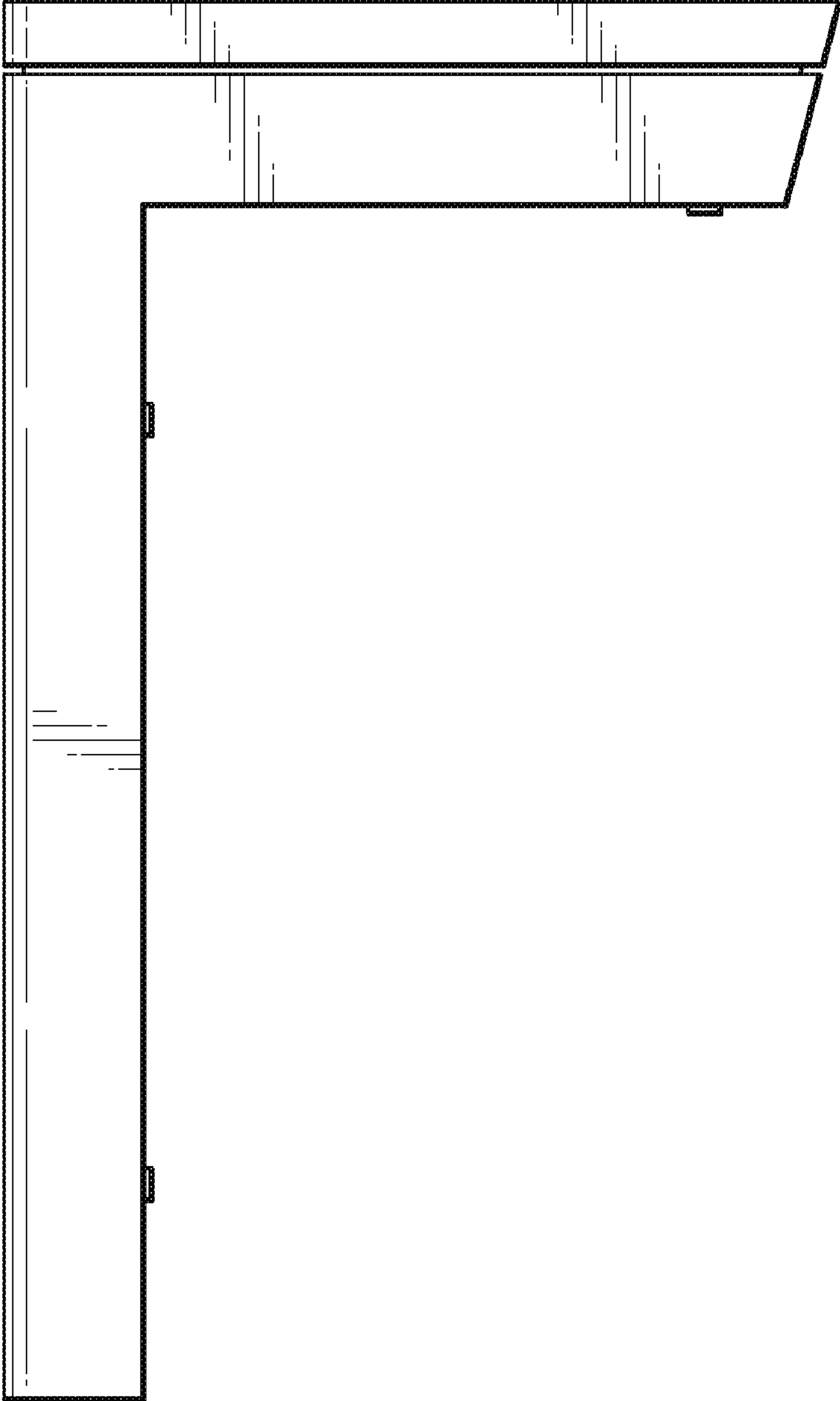


FIG. 5

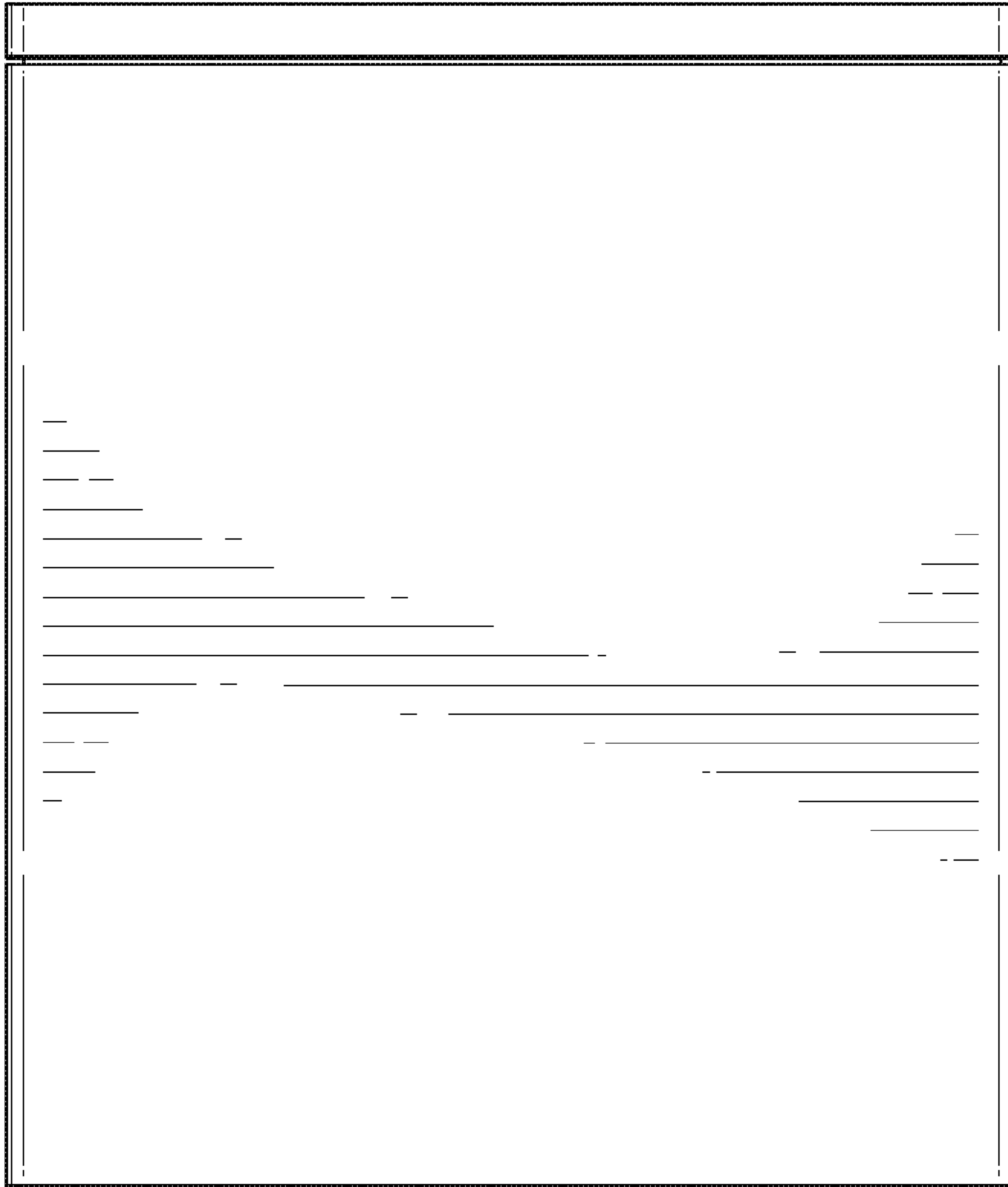


FIG. 6

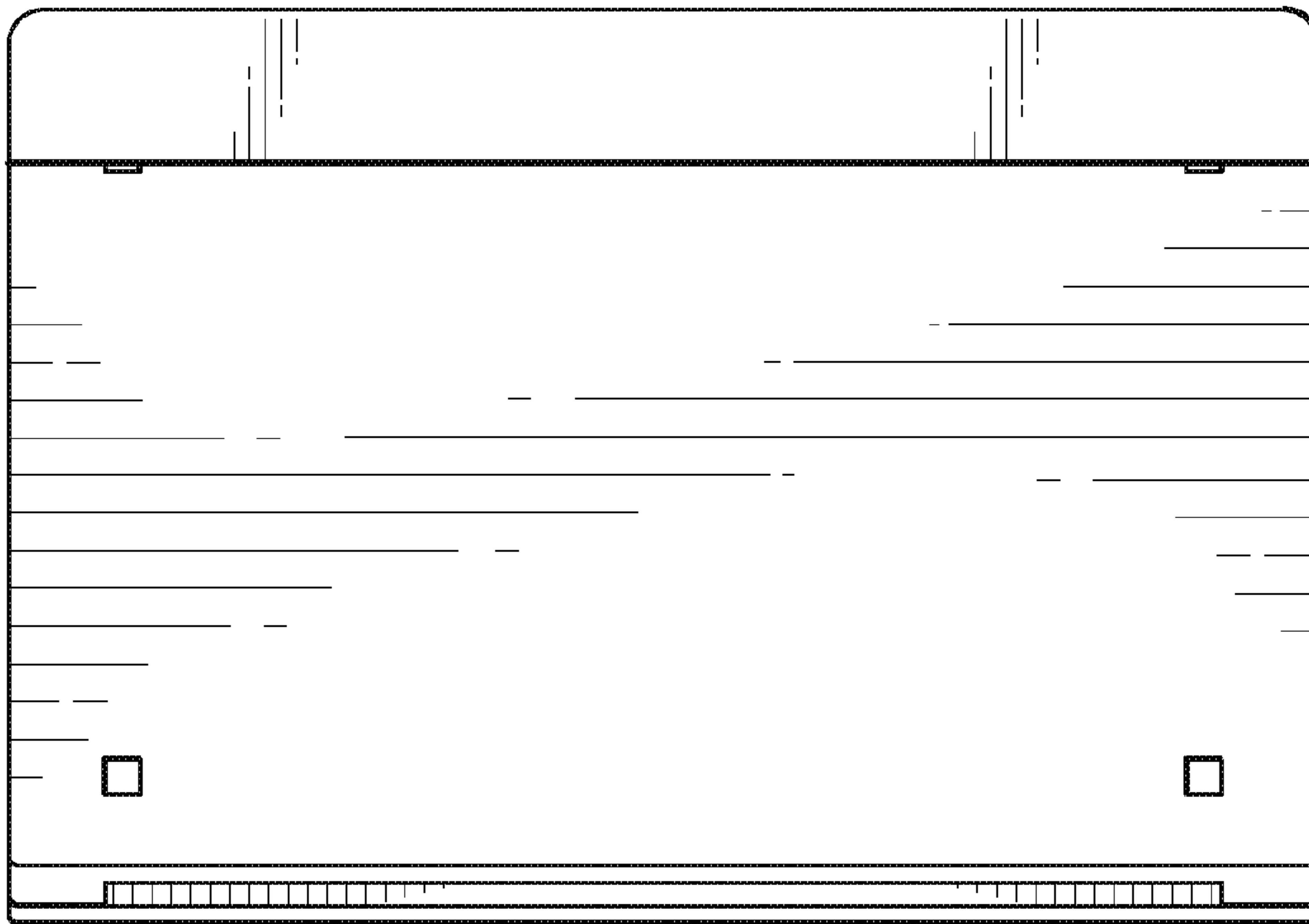


FIG. 7

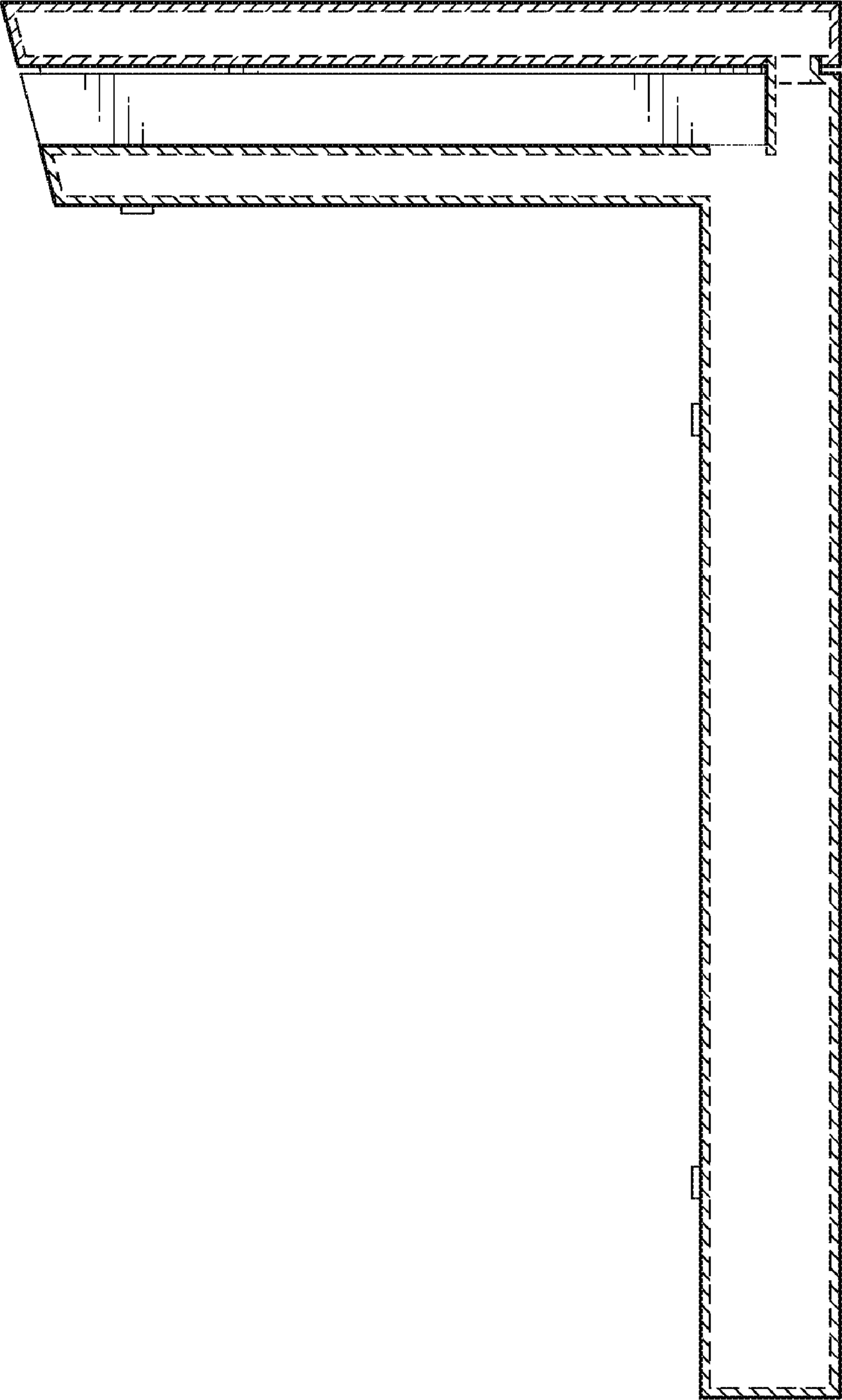


FIG. 8