



US00D669118S

(12) **United States Design Patent**  
**Wegman et al.**

(10) **Patent No.:** **US D669,118 S**

(45) **Date of Patent:** **\*\* Oct. 16, 2012**

(54) **MARKING MATERIAL CONTAINER FOR A PRINTING PRESS**

(75) Inventors: **Paul M Wegman**, Pittsford, NY (US);  
**Kevin L Maltzahn**, Webster, NY (US);  
**Ricardo H Mendoza**, Webster, NY (US);  
**Mark R Vannicola**, Rochester, NY (US);  
**Wayne D Drinkwater**, Fairport, NY (US)

(73) Assignee: **Xerox Corporation**, Norwalk, CT (US)

(\*\*) Term: **14 Years**

(21) Appl. No.: **29/401,030**

(22) Filed: **Sep. 6, 2011**

(51) **LOC (9) Cl.** ..... **16-03**

(52) **U.S. Cl.** ..... **D18/43**

(58) **Field of Classification Search** ..... D14/471;  
D18/12, 36, 40, 43, 44, 56; 222/DIG. 1;  
347/197, 222; 399/24-28, 107-112, 119,  
399/121, 122, 222-224

See application file for complete search history.

(56) **References Cited**

**U.S. PATENT DOCUMENTS**

D218,152 S *	7/1970	Emerson	.....	D18/43
D267,013 S *	11/1982	Hipp, Jr.	.....	D18/43
D320,042 S *	9/1991	Corby et al.	.....	D18/43
D329,659 S *	9/1992	Mizukami et al.	.....	D18/43
D408,445 S *	4/1999	Schwallie et al.	.....	D18/43
D408,846 S *	4/1999	Schwallie et al.	.....	D18/43

D425,550 S *	5/2000	Kurisu	.....	D18/43
D444,810 S *	7/2001	Itoh	.....	D18/43
D451,126 S *	11/2001	Katsuyama	.....	D18/43
D455,778 S *	4/2002	Katsuyama	.....	D18/43
D540,375 S *	4/2007	Katsuyama	.....	D18/43
D645,895 S *	9/2011	Shigezaki et al.	.....	D18/40

\* cited by examiner

*Primary Examiner* — Garth Rademaker

(74) *Attorney, Agent, or Firm* — Tallam I. Nguti

(57) **CLAIM**

The ornamental design for a marking material container for a printing press, as shown and described.

**DESCRIPTION**

FIG. 1 is a front perspective view of a marking material container for a printing press in accordance with the present invention;

FIG. 2 is a front view thereof;

FIG. 3 is a right side view thereof;

FIG. 4 is a rear view thereof;

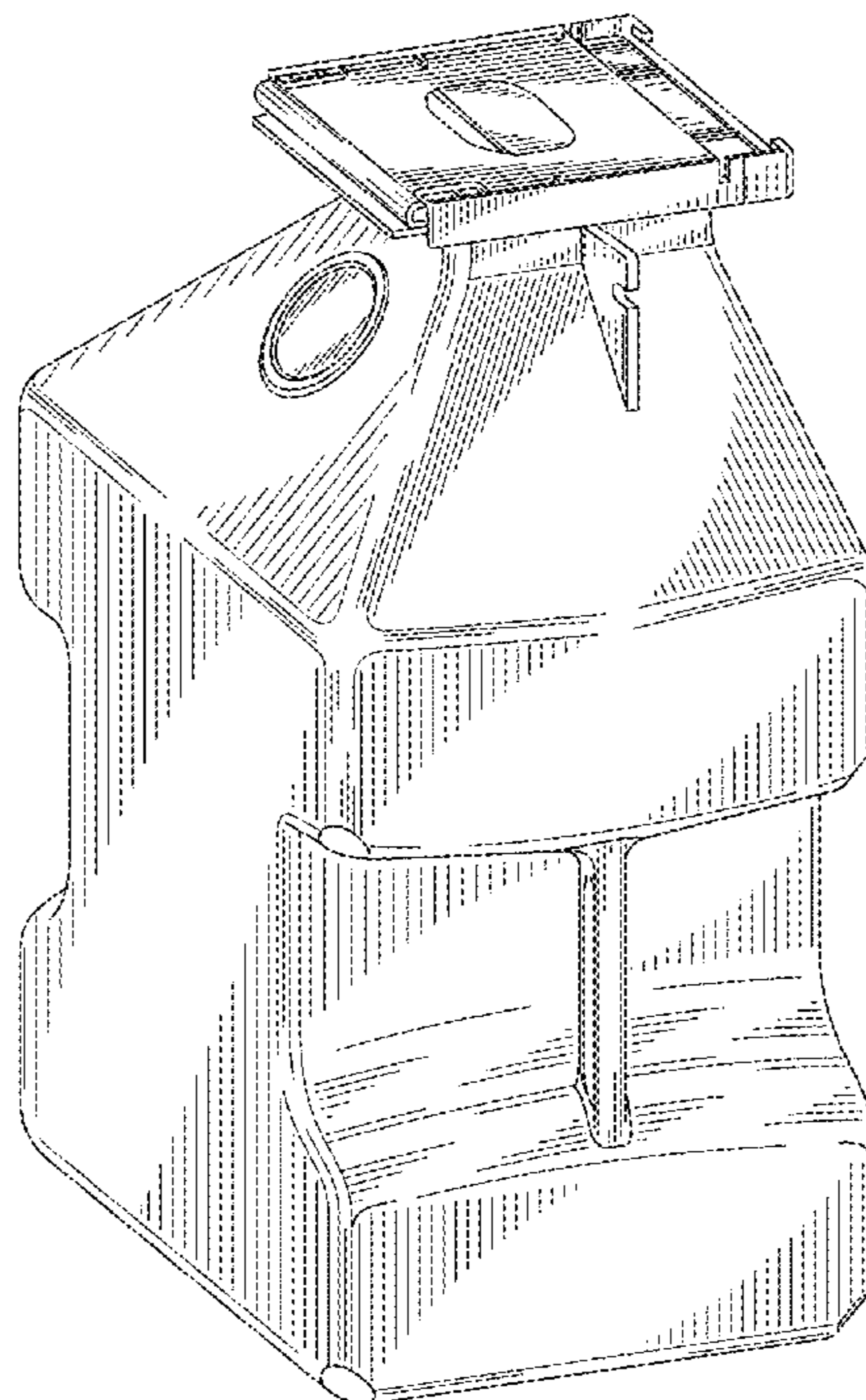
FIG. 5 is a left side view thereof;

FIG. 6 is a top plan view thereof; and,

FIG. 7 is a bottom plan view thereof.

The broken lines depict portions of the marking material container for a printing press which form no part of the claimed design.

**1 Claim, 7 Drawing Sheets**



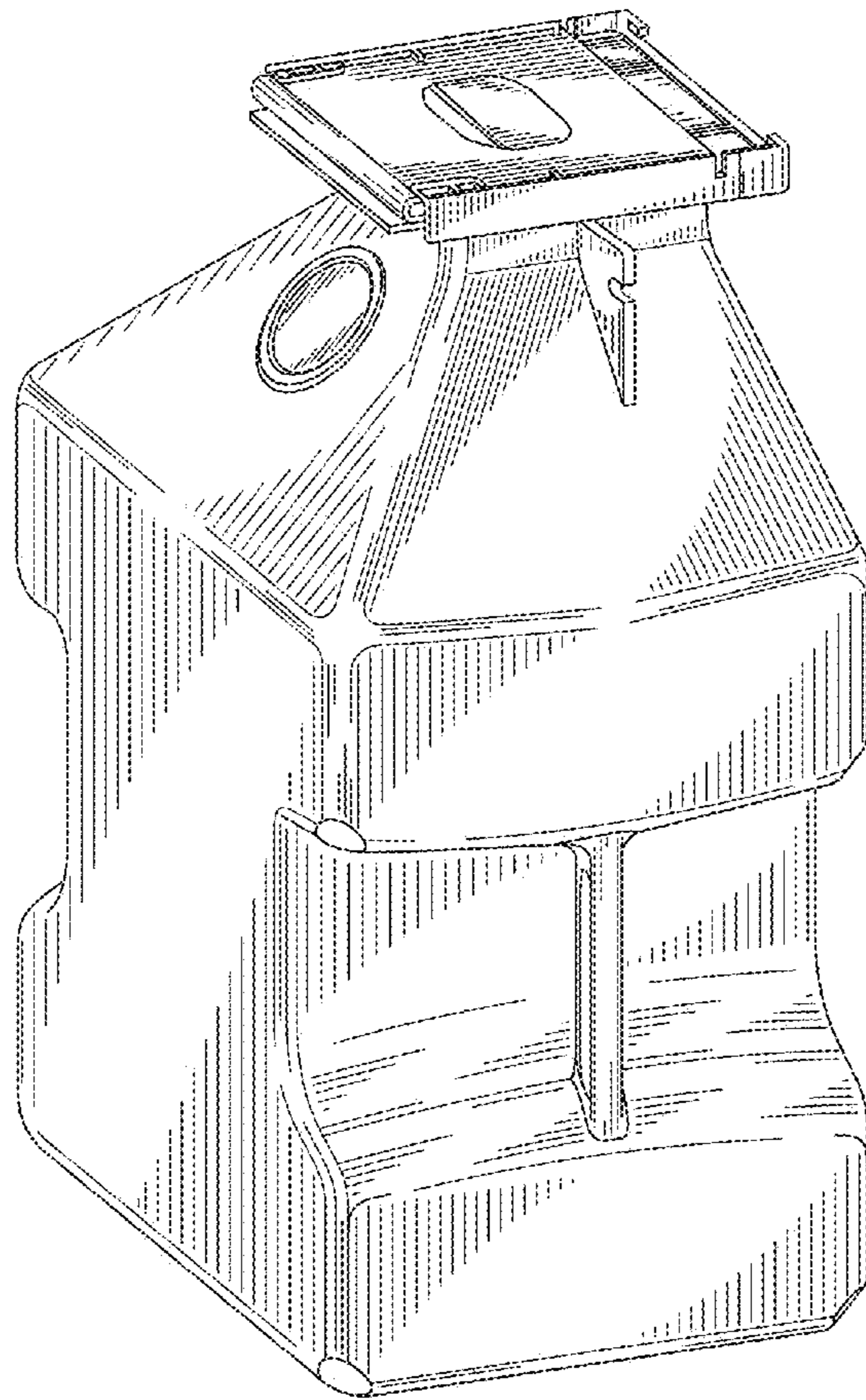


FIG. 1

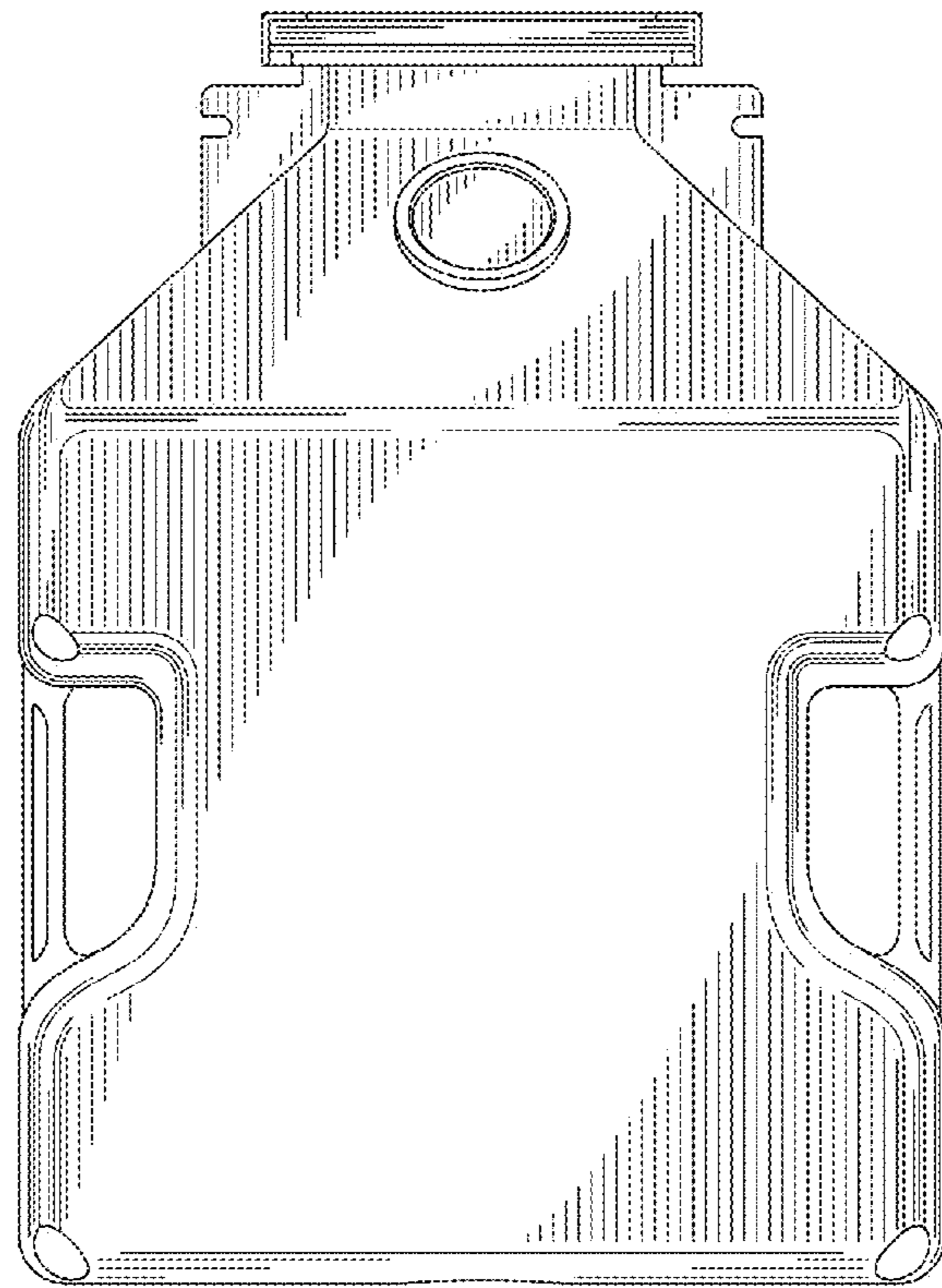


FIG. 2

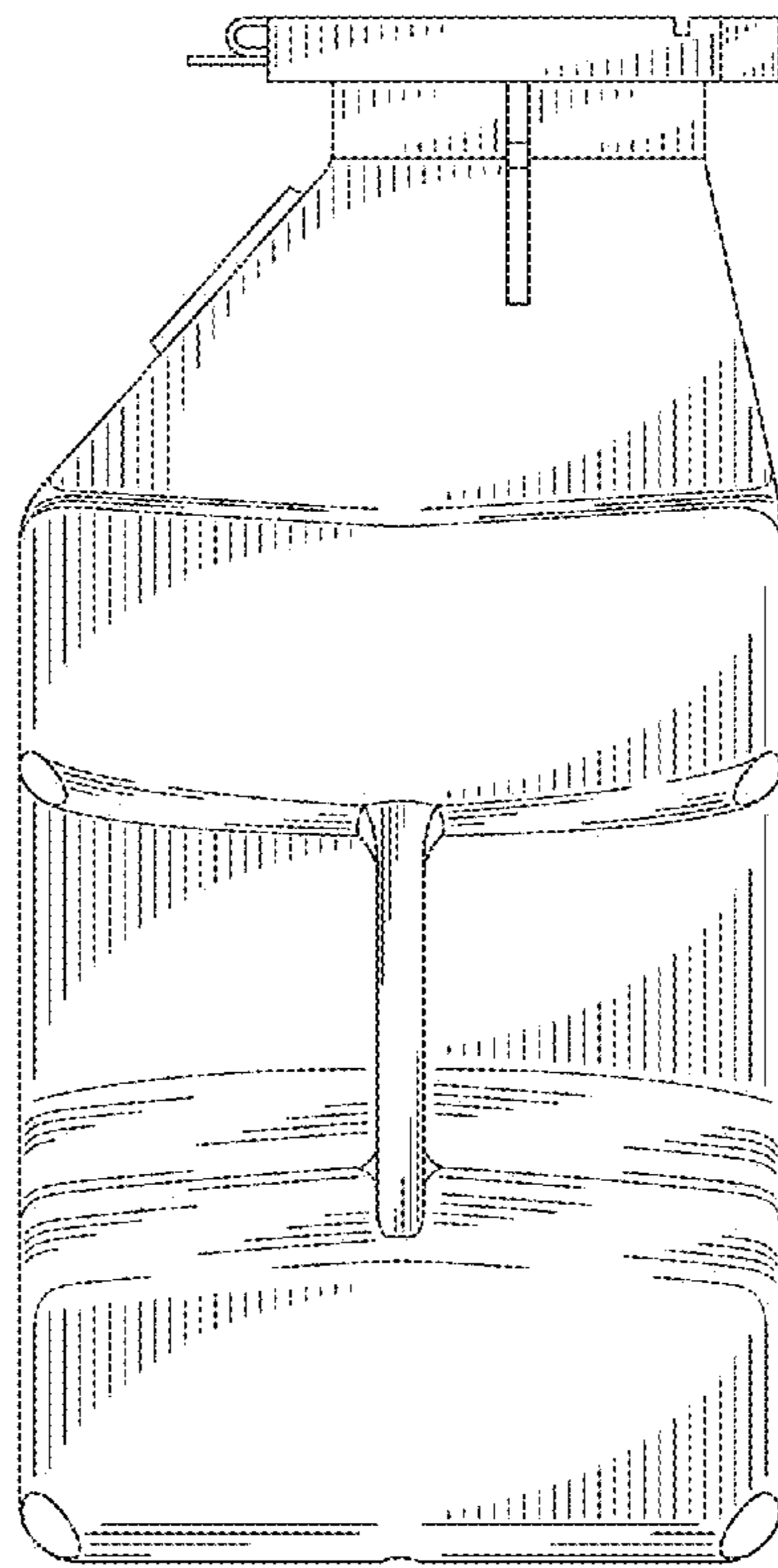


FIG. 3

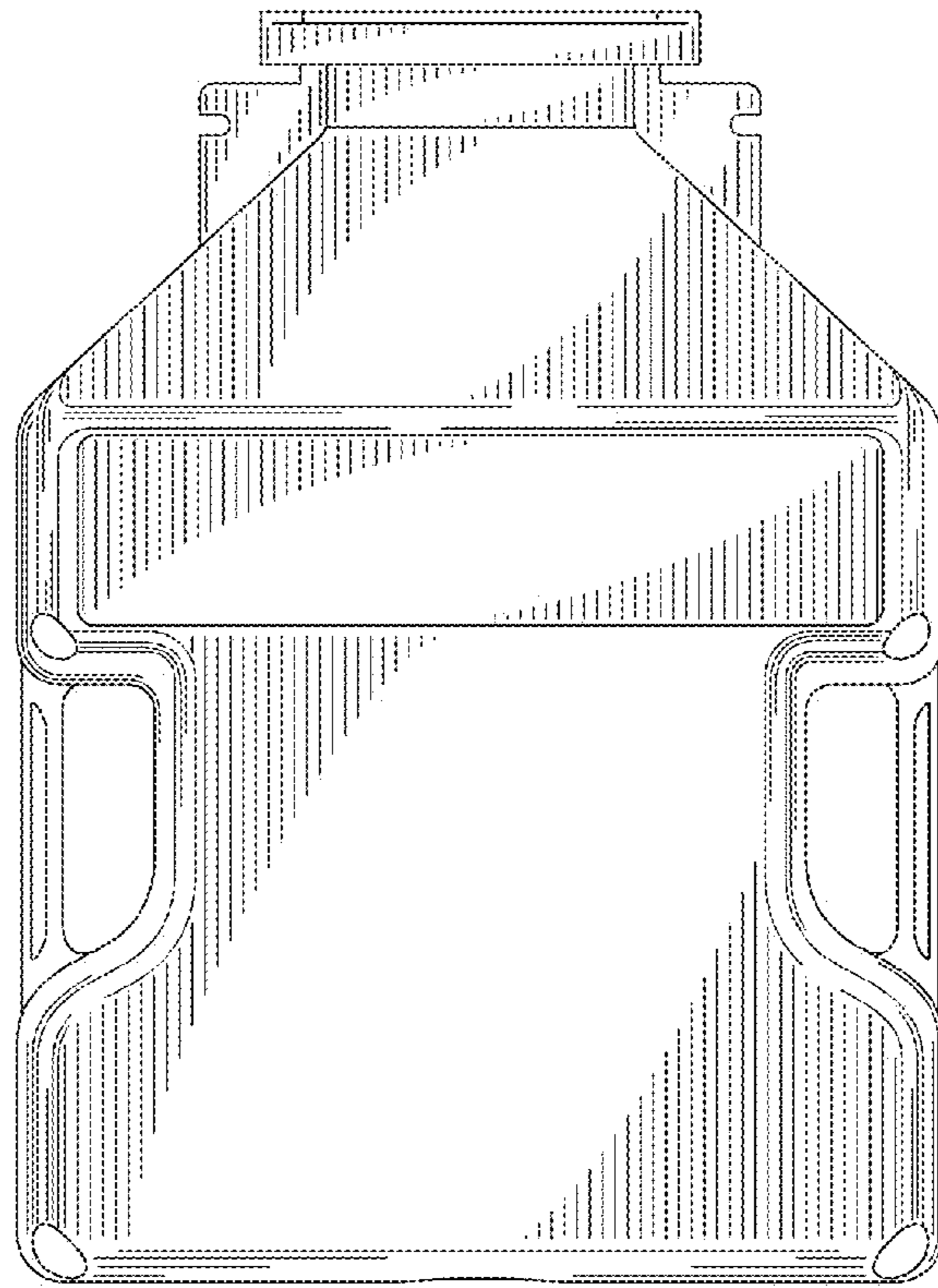


FIG. 4

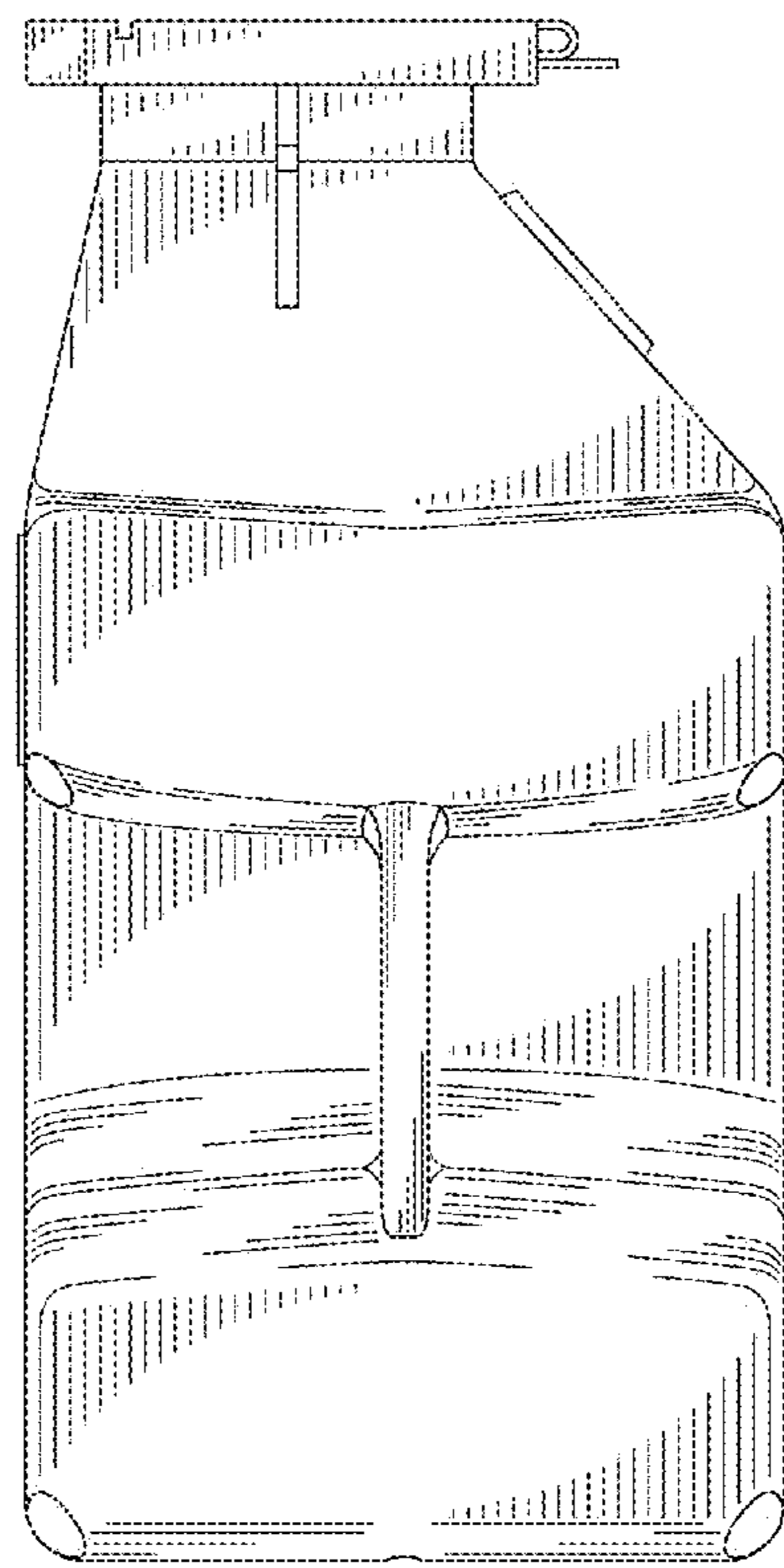


FIG. 5

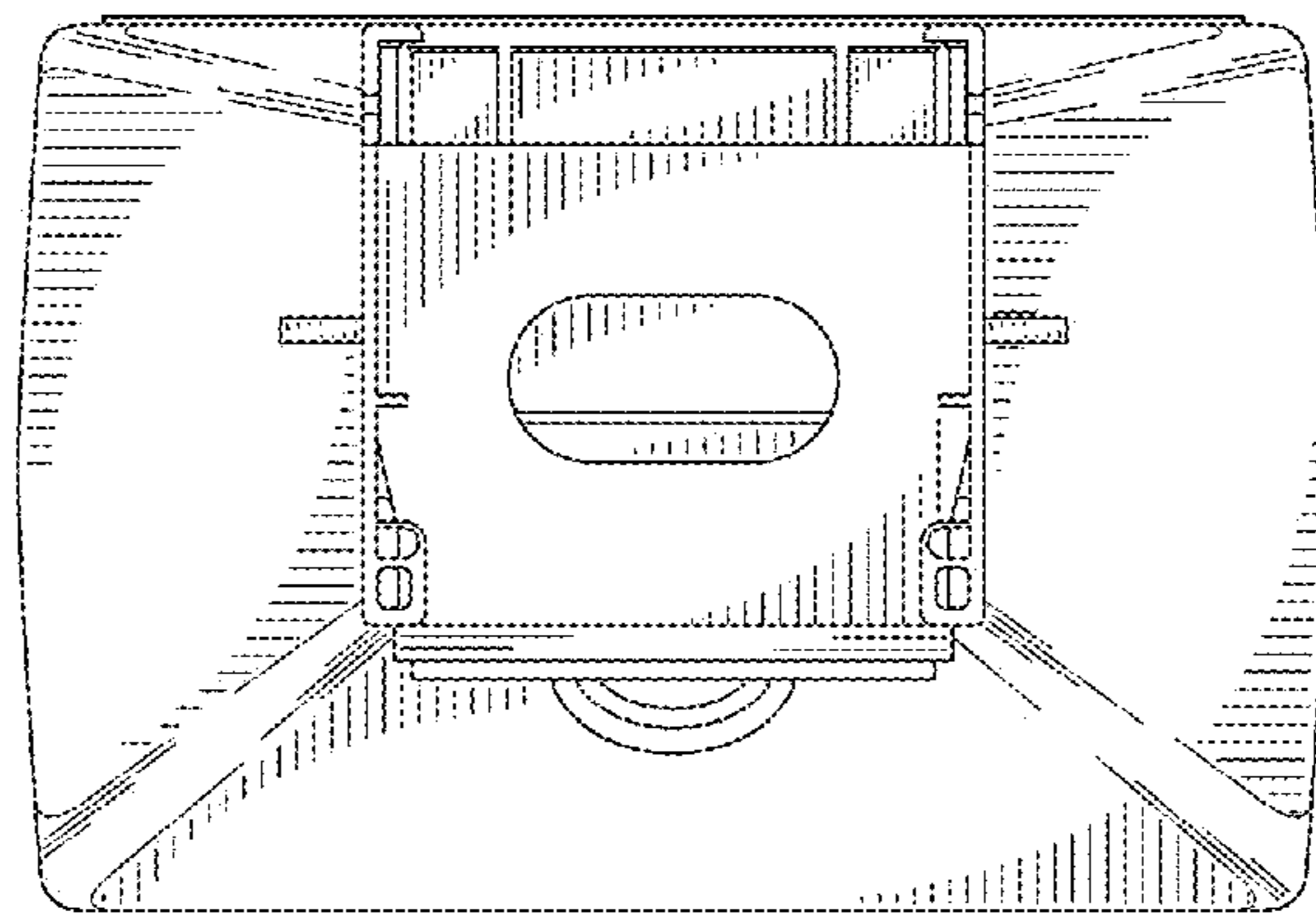


FIG. 6

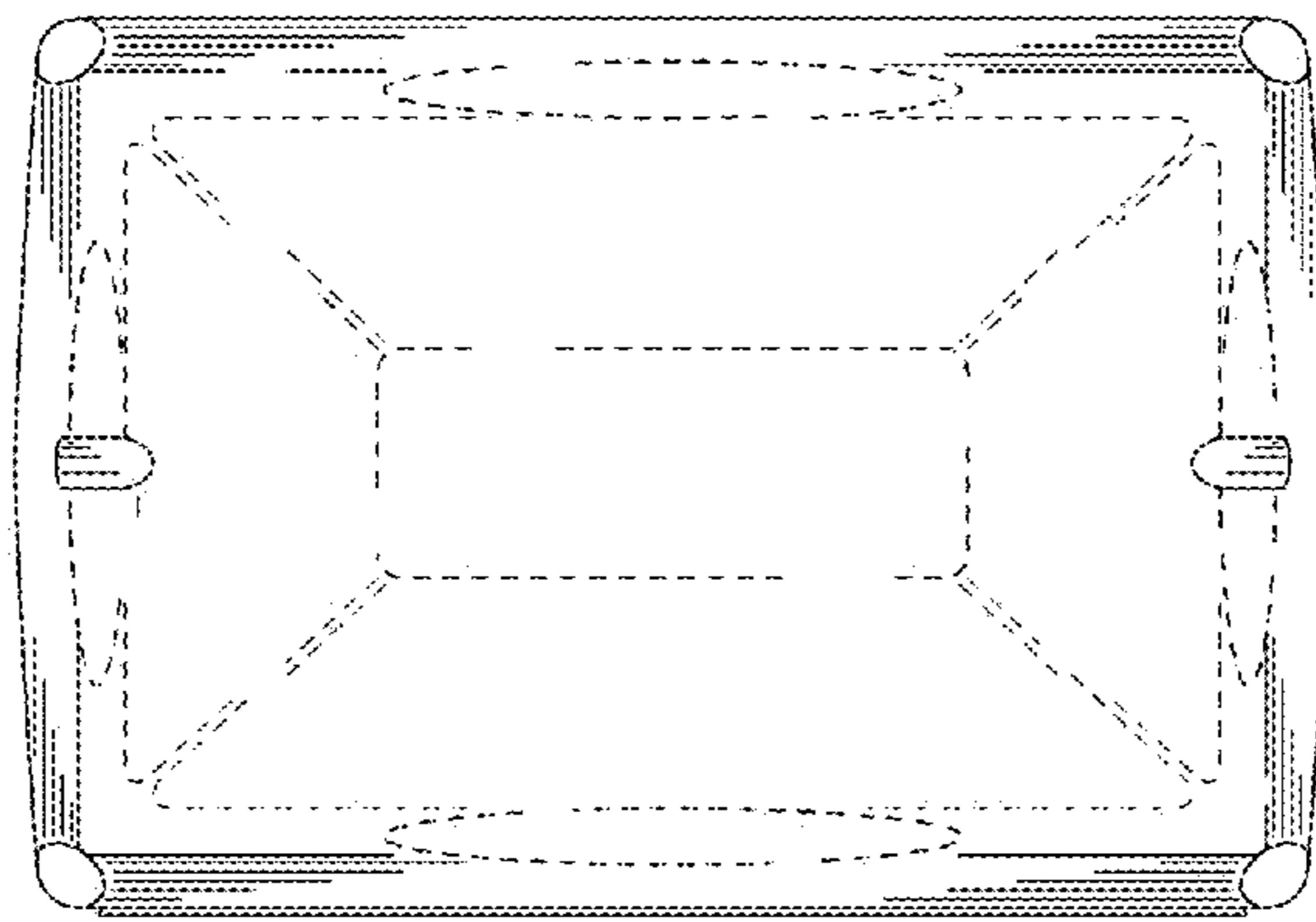


FIG. 7