



US00D669117S

(12) **United States Design Patent**
de Neufville

(10) **Patent No.:** **US D669,117 S**

(45) **Date of Patent:** **** *Oct. 16, 2012**

(54) **FINGERBOARD ATTACHMENT FOR
STRINGED INSTRUMENTS**

4,622,880 A * 11/1986 Glemming et al. 84/317
5,287,788 A * 2/1994 Hill, Jr. 84/315
7,307,203 B2 * 12/2007 Buffkin et al. 84/286

(76) Inventor: **David de Neufville**, North Branch, NJ
(US)

* cited by examiner

(*) Notice: This patent is subject to a terminal disclaimer.

Primary Examiner — Rashida Johnson

(74) *Attorney, Agent, or Firm* — Len Taylor, Esq

(**) Term: **14 Years**

(57) **CLAIM**

The ornamental design for a fingerboard attachment for a stringed instrument, as shown and described.

(21) Appl. No.: **29/397,760**

DESCRIPTION

(22) Filed: **Jul. 20, 2011**

(51) **LOC (9) Cl.** **17-03**

(52) **U.S. Cl.** **D17/20**

(58) **Field of Classification Search** D17/14,
D17/18, 19, 20, 99; 84/267, 269, 290–292,
84/314 R, 453

See application file for complete search history.

FIG. 1 is a side top perspective of a fingerboard attachment for a stringed instrument.

FIG. 2 is a front side view of a fingerboard attachment for a stringed instrument.

FIG. 3 is a back side view of a fingerboard attachment for a stringed instrument.

FIG. 4 is a left side view of a fingerboard attachment for a stringed instrument.

FIG. 5 is a right side view of a fingerboard attachment for a stringed instrument.

FIG. 6 is a top view of a fingerboard attachment for a stringed instrument.

FIG. 7 is a bottom view of a fingerboard attachment for a stringed instrument; and,

FIG. 8 is a side top perspective of a fingerboard attachment on a stringed instrument for a stringed instrument.

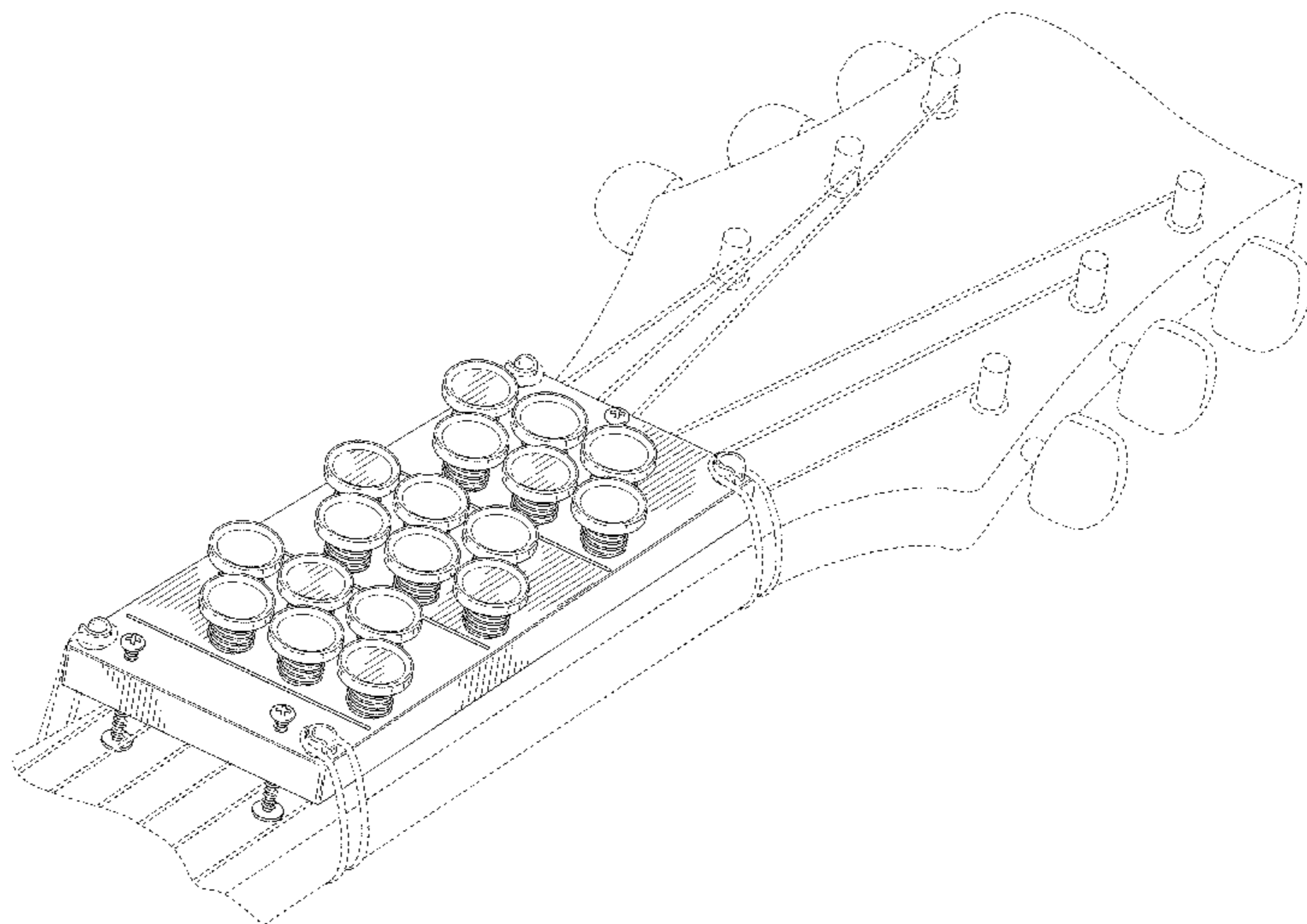
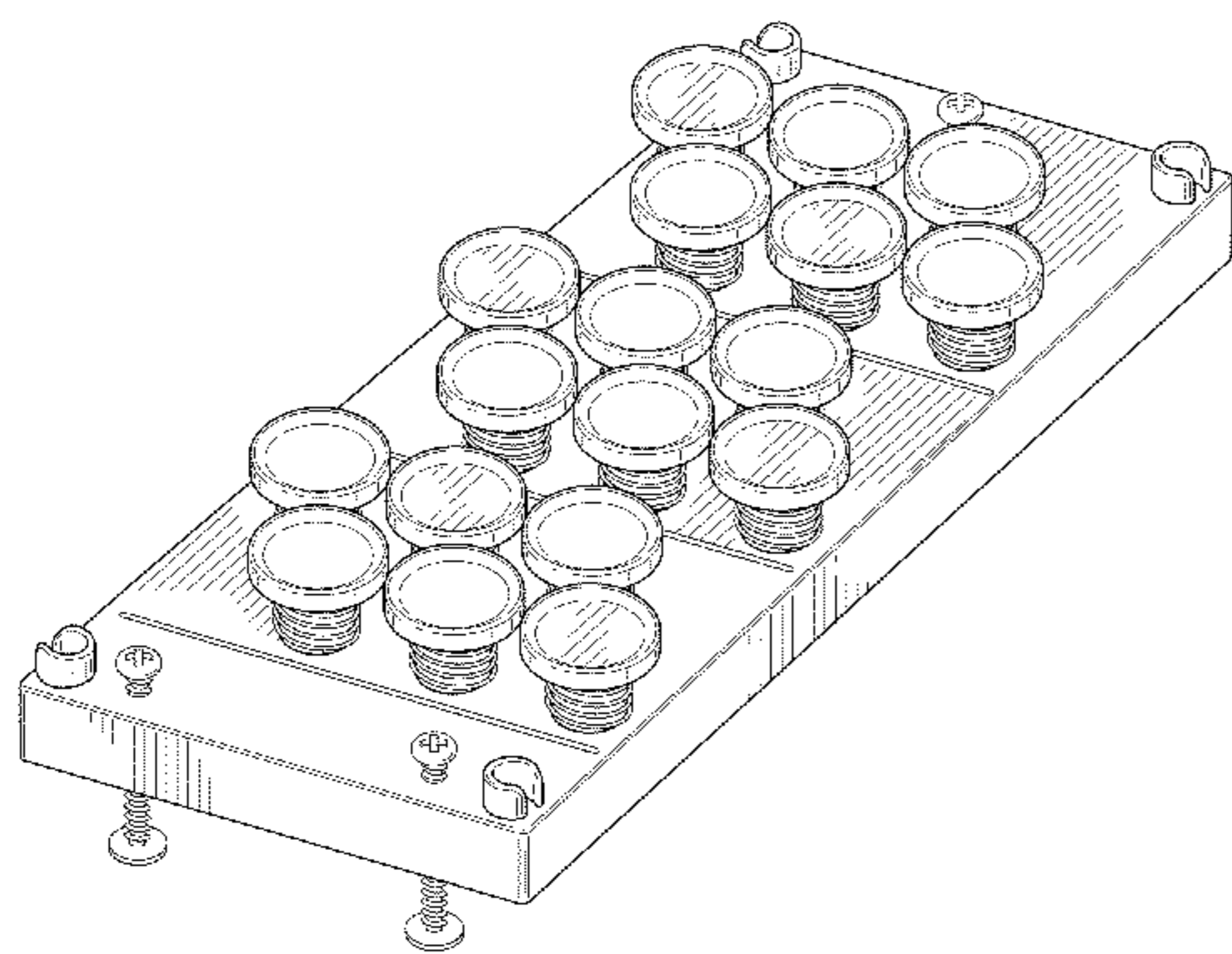
The broken lines are for illustrative purposes only and form no part of the claimed design.

(56) **References Cited**

U.S. PATENT DOCUMENTS

745,557	A *	12/1903	Baker	84/315
831,238	A *	9/1906	Panelli	84/317
2,132,281	A *	10/1938	Adamson	84/317
2,669,151	A *	2/1954	MacCaferri	84/317
3,230,816	A *	1/1966	Jira	84/315
3,704,646	A *	12/1972	Davis et al.	84/454
3,776,088	A *	12/1973	Jones	84/317
3,915,051	A *	10/1975	Kincaid	84/317
4,331,059	A *	5/1982	Marabotto	84/317
4,545,282	A *	10/1985	Arnett et al.	84/317

1 Claim, 5 Drawing Sheets



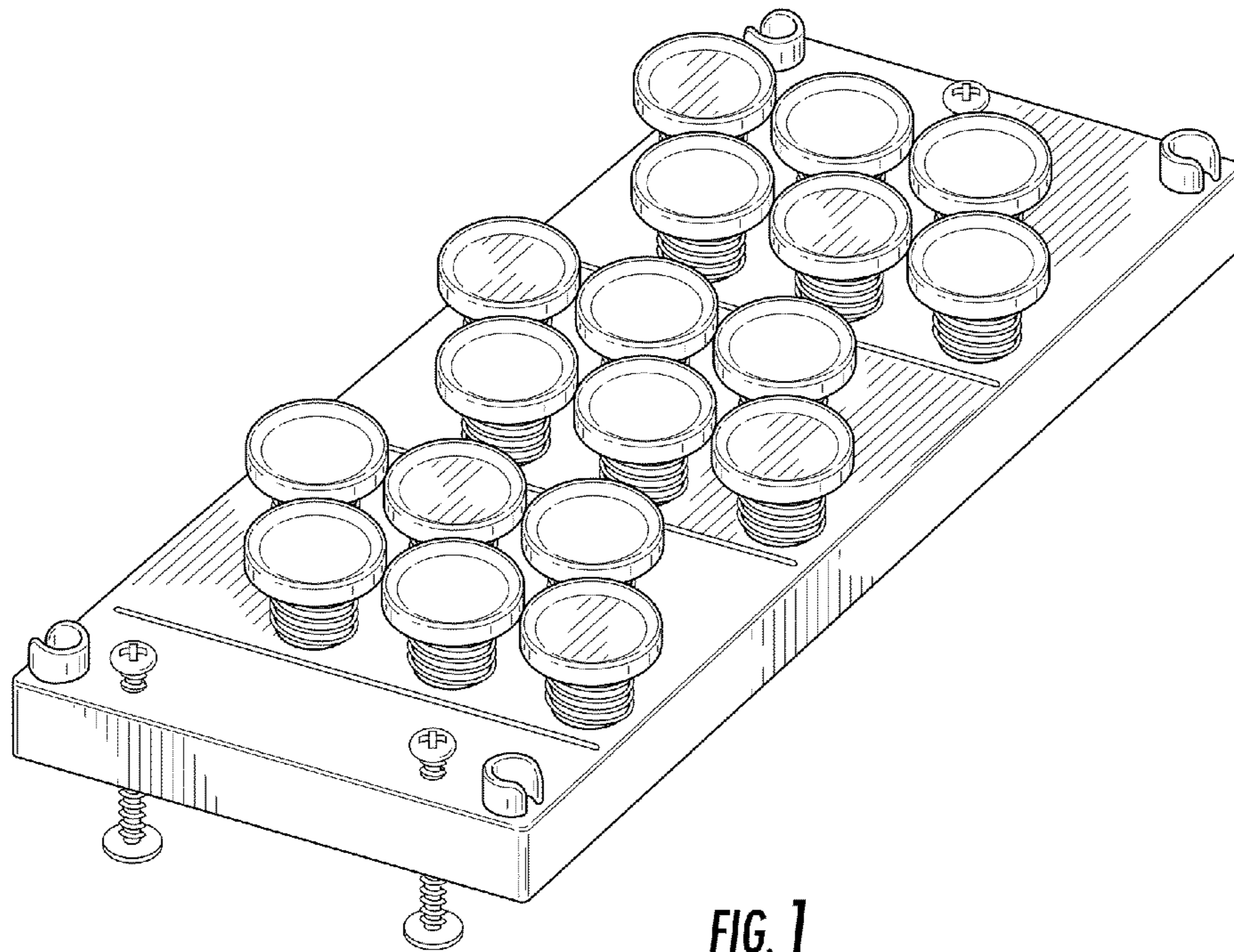


FIG. 1

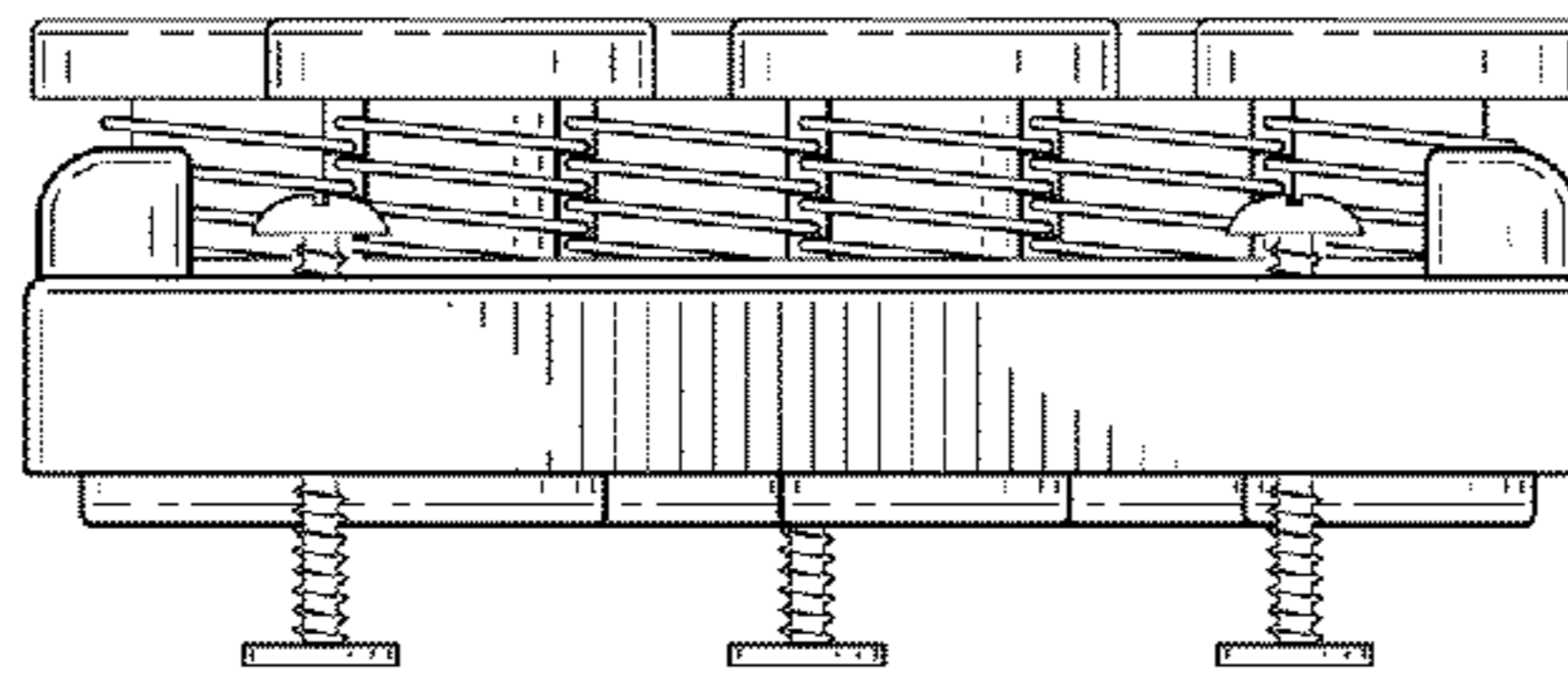


FIG. 2

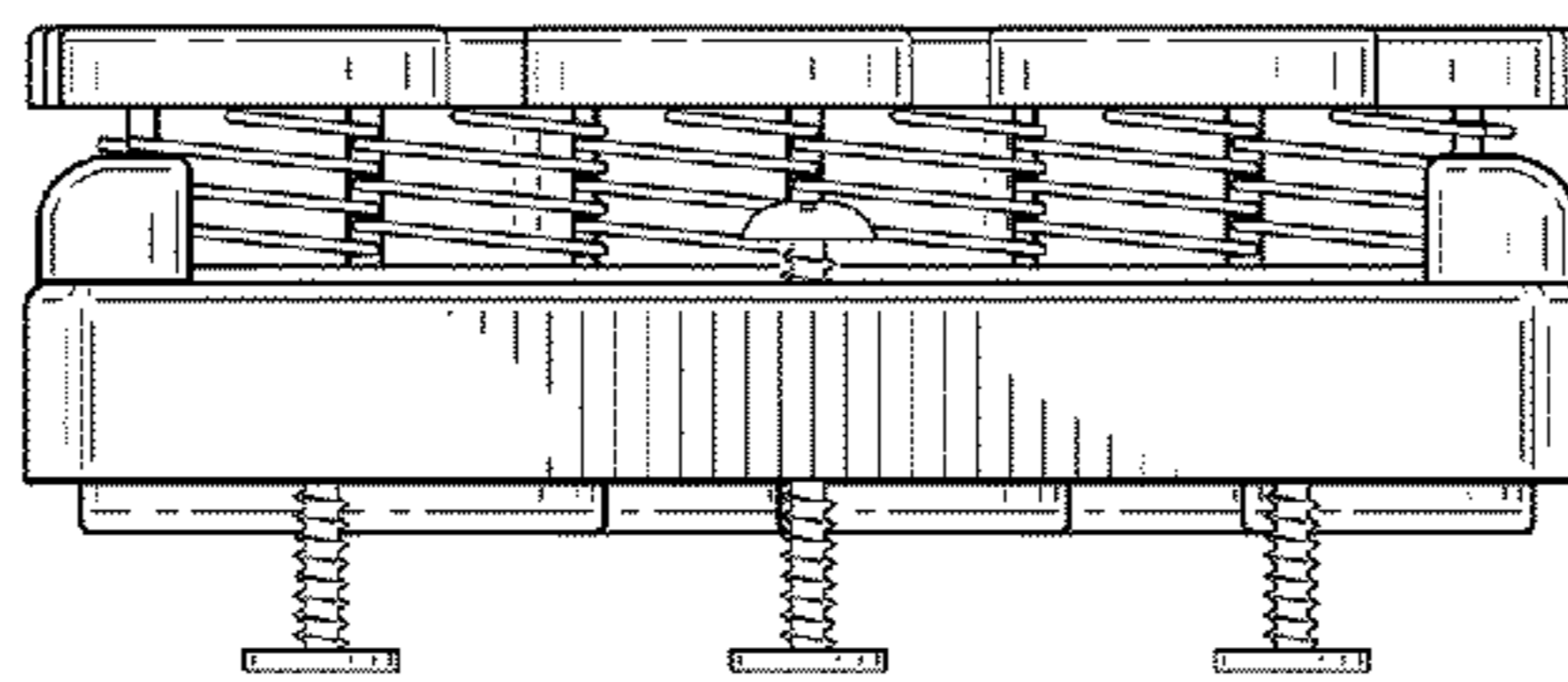


FIG. 3

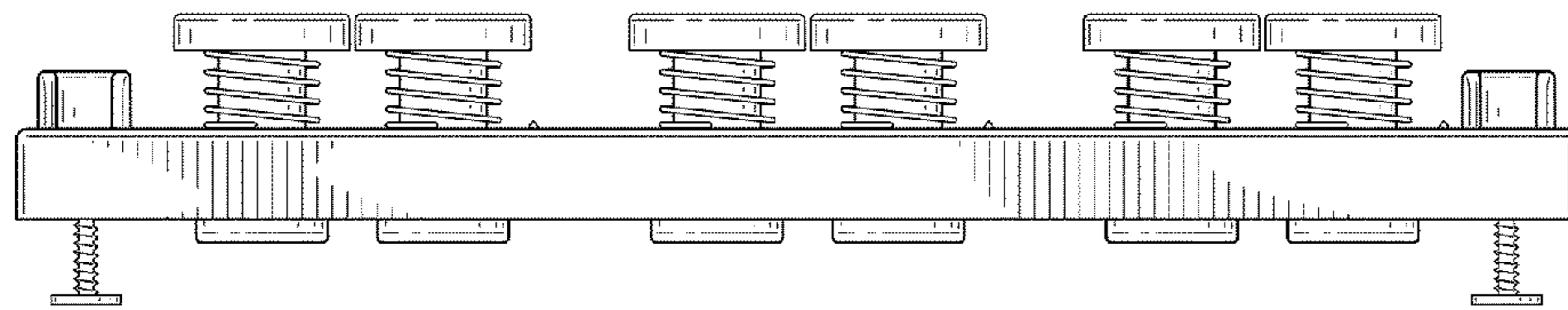


FIG. 4

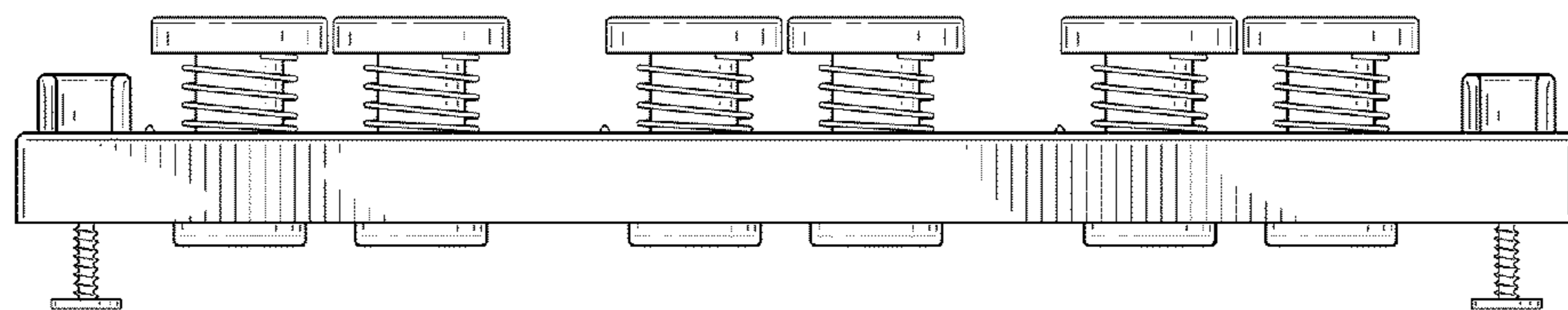


FIG. 5

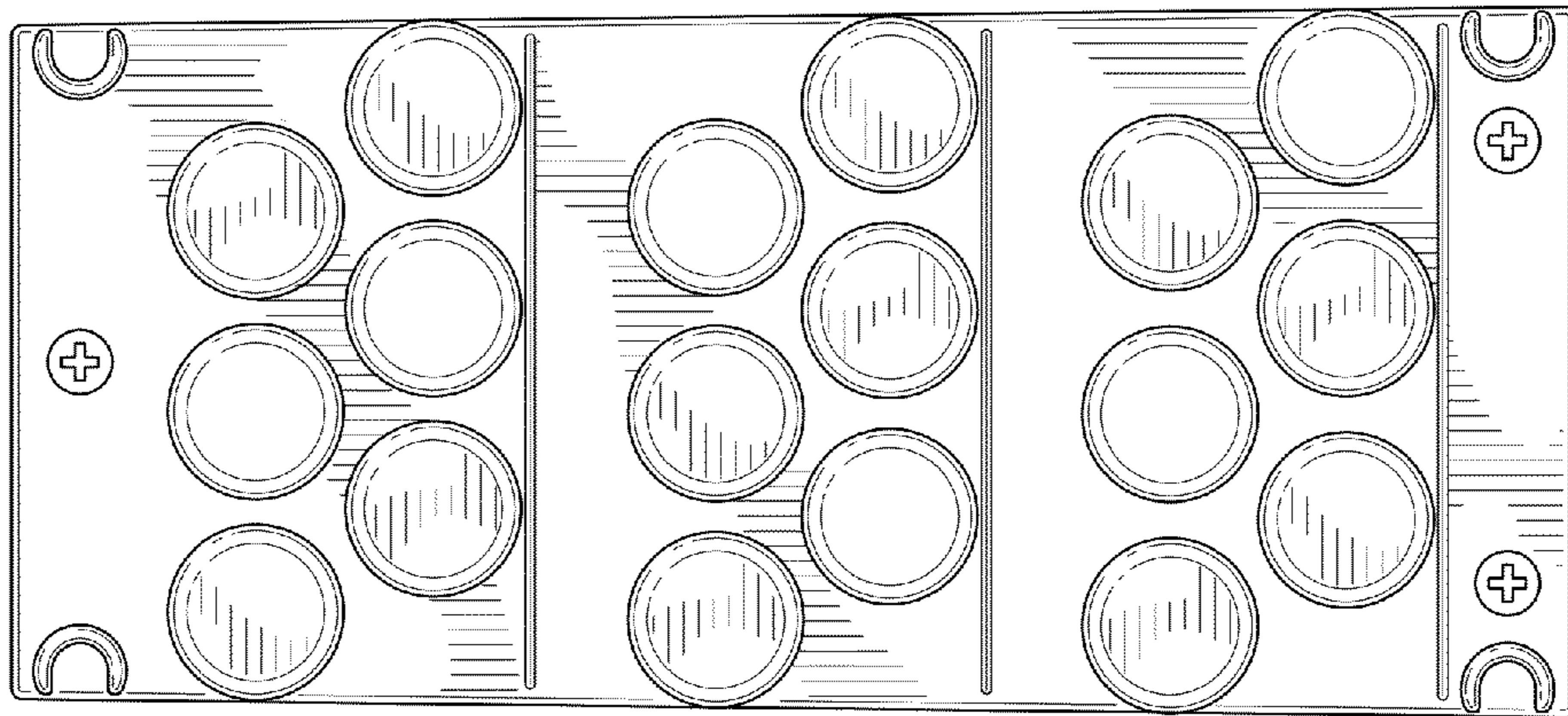


FIG. 6

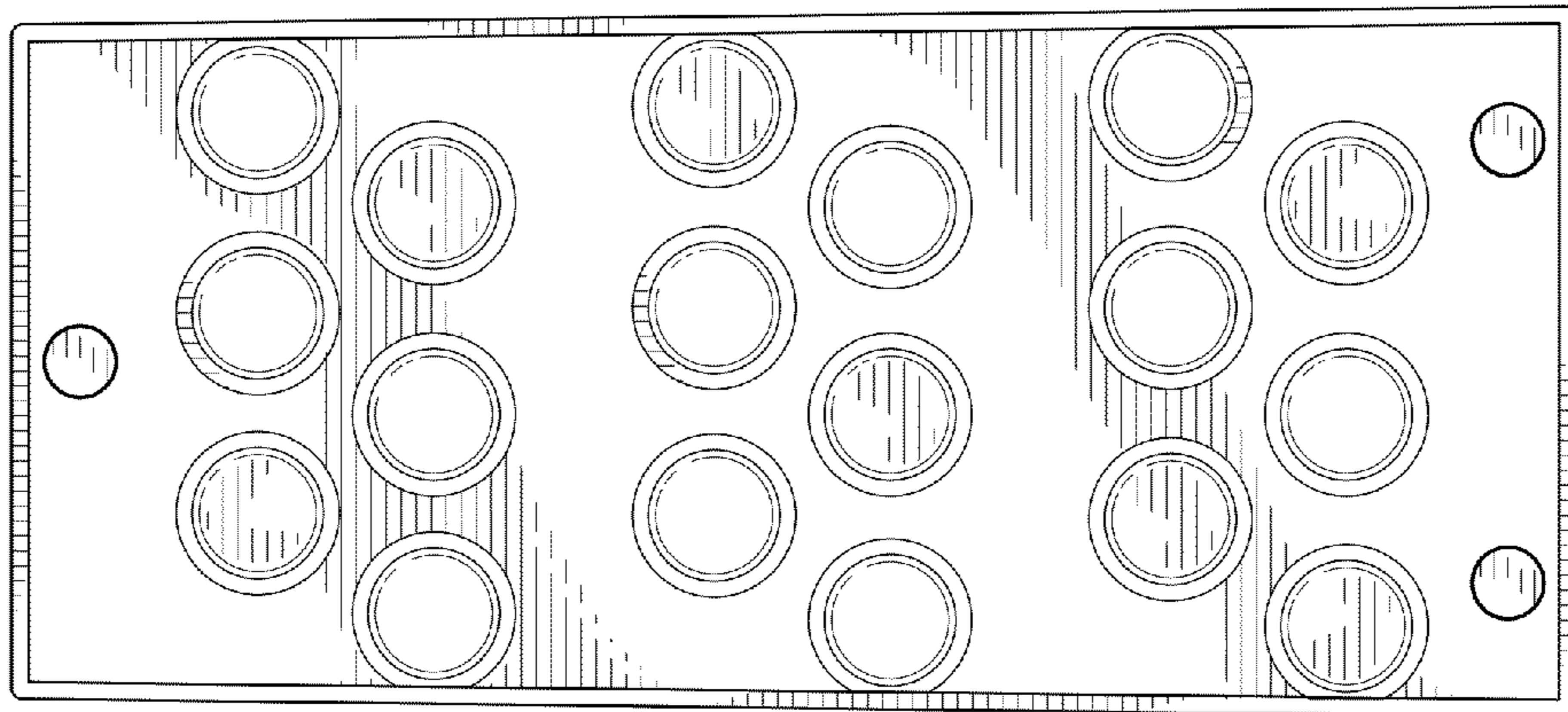


FIG. 7

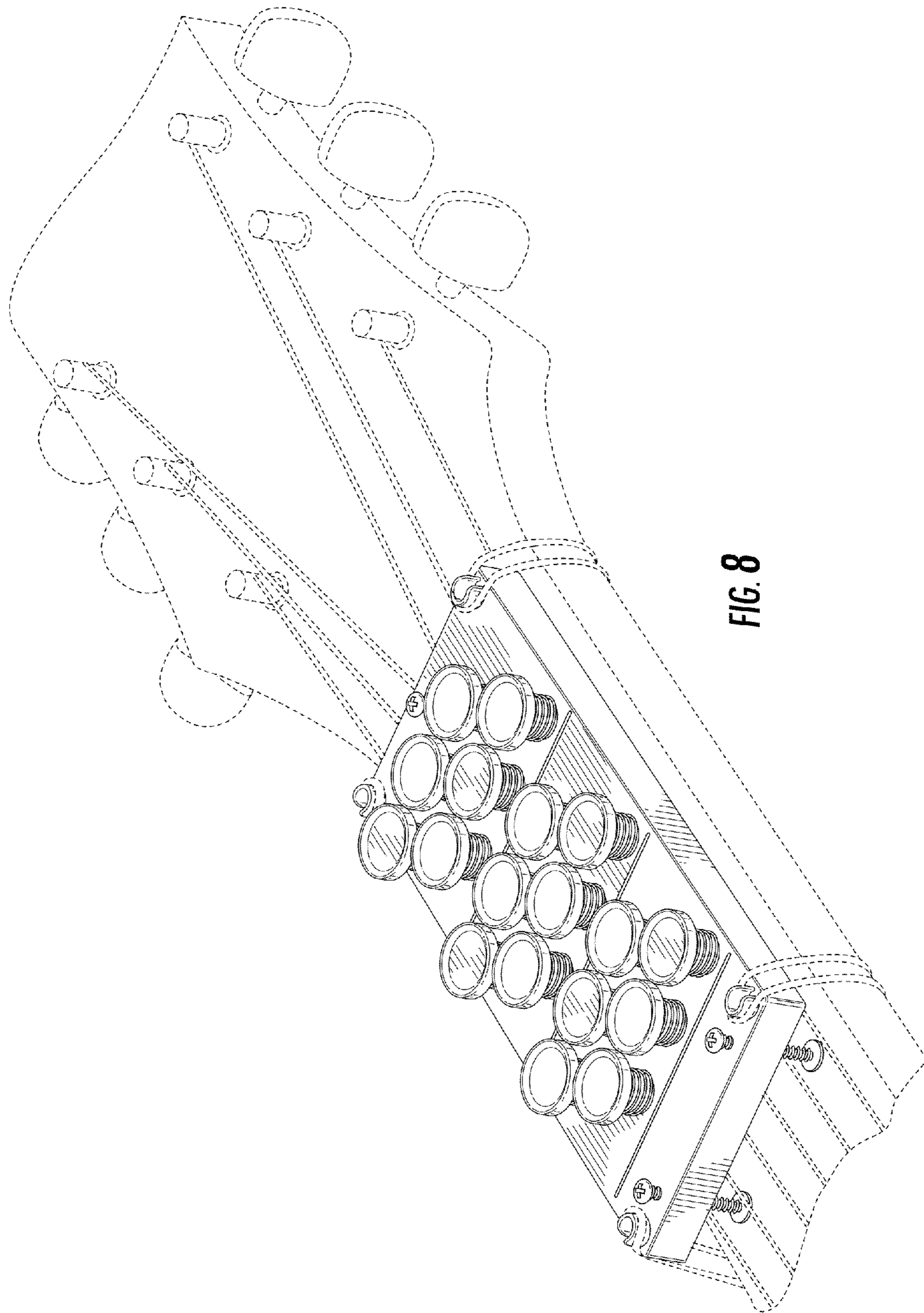


FIG. 8