



US00D669113S

(12) **United States Design Patent**  
**Sandor et al.**

(10) **Patent No.:** **US D669,113 S**  
(45) **Date of Patent:** **\*\* Oct. 16, 2012**

- (54) **SPORTS GOGGLE**
- (75) Inventors: **Brent Sandor**, Encinitas, CA (US);  
**Patrick Bryan Dawley**, Encinitas, CA (US)
- (73) Assignee: **Spy Optic Inc.**, Carlsbad, CA (US)
- (\*\*) Term: **14 Years**
- (21) Appl. No.: **29/417,923**
- (22) Filed: **Apr. 10, 2012**
- (51) **LOC (9) Cl.** ..... **16-06**
- (52) **U.S. Cl.** ..... **D16/312; D16/309**
- (58) **Field of Classification Search** ..... D16/101,  
D16/300-342; D29/109-110; D24/110.2;  
351/41, 44, 51-52, 62, 158, 92, 103-123,  
351/140, 153, 45-46; 2/426-432, 447-449,  
2/441, 434-437, 13, 15; D21/483, 659-661  
See application file for complete search history.

- 4,290,673 A 9/1981 Yamamoto
- 4,317,240 A 3/1982 Angerman et al.
- 4,425,669 A 1/1984 Grendol et al.
- 4,428,081 A 1/1984 Smith
- 4,443,893 A 4/1984 Yamamoto
- 4,447,914 A 5/1984 Jannard
- 4,455,689 A 6/1984 Boyer
- 4,528,701 A 7/1985 Smith
- 4,556,995 A 12/1985 Yamamoto
- 4,571,748 A 2/1986 Carroll et al.
- 4,603,442 A 8/1986 Barfield
- 4,689,838 A 9/1987 Angermann et al.
- 4,707,863 A 11/1987 McNeal
- 4,716,601 A 1/1988 McNeal
- 4,868,929 A 9/1989 Curcio
- 4,918,753 A 4/1990 Mermillod
- 4,977,627 A 12/1990 Metcalfe et al.

(Continued)

**FOREIGN PATENT DOCUMENTS**

CA 2456476 3/2004

(Continued)

*Primary Examiner* — Raphael Barkai

(74) *Attorney, Agent, or Firm* — Stetina Brunda Garred & Brucker

(56) **References Cited**

**U.S. PATENT DOCUMENTS**

- 2,526,737 A 10/1950 Farina
- 3,056,140 A 10/1962 Lindblom
- 3,298,031 A 1/1967 Morgan
- 3,363,262 A 1/1968 Lindblom
- 3,377,626 A 4/1968 Smith
- 3,395,406 A 8/1968 Smith
- 3,505,680 A 4/1970 Ring
- 3,533,686 A 10/1970 O'Shea
- 3,754,298 A 8/1973 Menil
- 3,783,452 A 1/1974 Benson et al.
- 3,825,953 A 7/1974 Hunter
- 3,896,496 A 7/1975 Leblanc et al.
- 3,924,271 A 12/1975 Hirschmann, Jr.
- 3,931,646 A 1/1976 Loughner
- 3,945,044 A 3/1976 McGee et al.
- 4,011,595 A 3/1977 Shields
- 4,149,276 A 4/1979 Castro
- 4,150,443 A 4/1979 McNeilly
- 4,176,410 A 12/1979 Matthias
- 4,264,987 A 5/1981 Runckel

(57) **CLAIM**

The ornamental design for a sports goggle, as shown and described.

**DESCRIPTION**

FIG. 1 is a front perspective view of the sports goggle of the present invention showing our new design with the dotted lines depicting solely environmental structure and forming no part of the claimed design;

FIG. 2 is a front plan view thereof;

FIG. 3 is a right side elevational view thereof;

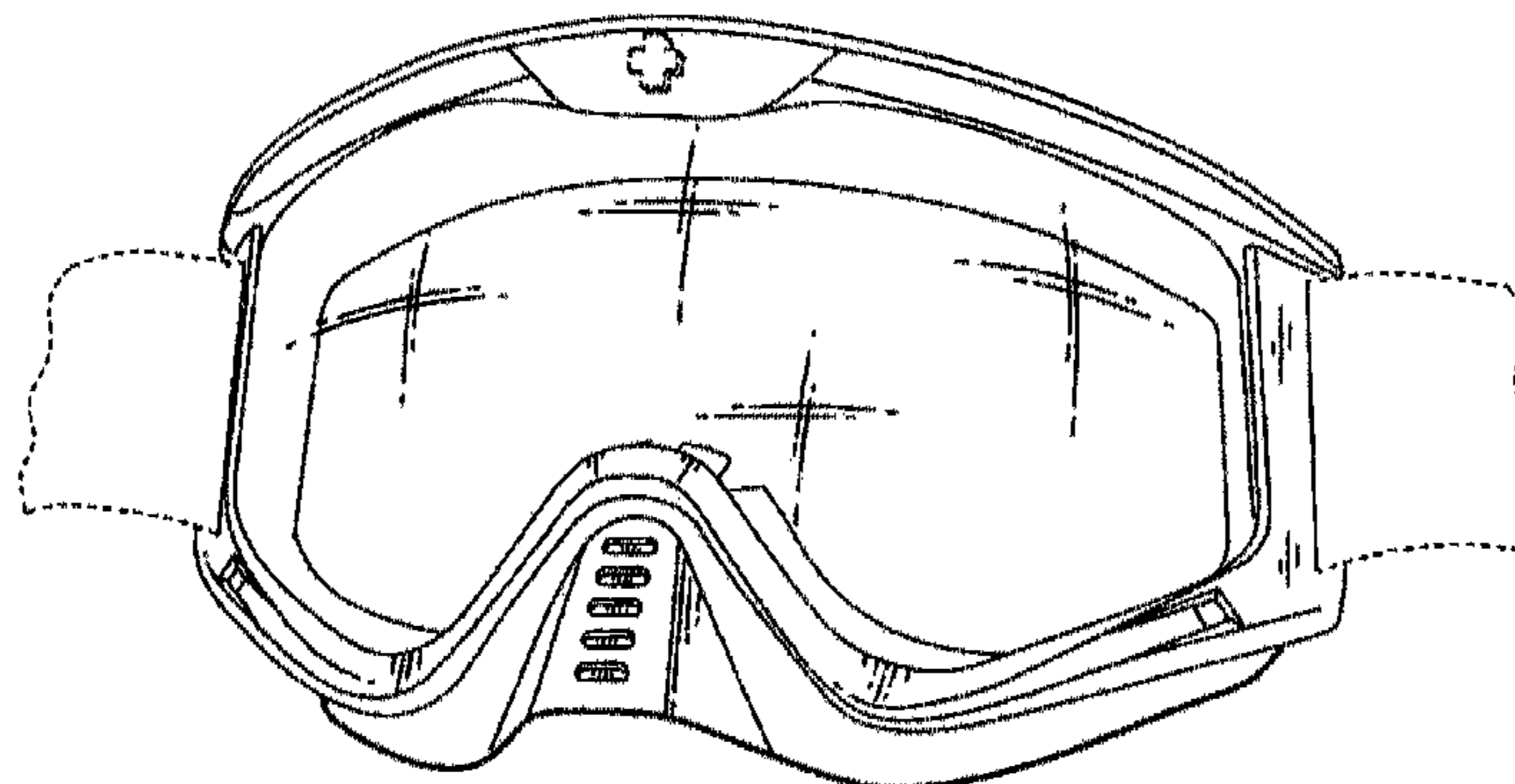
FIG. 4 is a left side elevational view thereof;

FIG. 5 is a rear elevational view thereof;

FIG. 6 is a top plan view thereof; and,

FIG. 7 is a bottom plan view thereof.

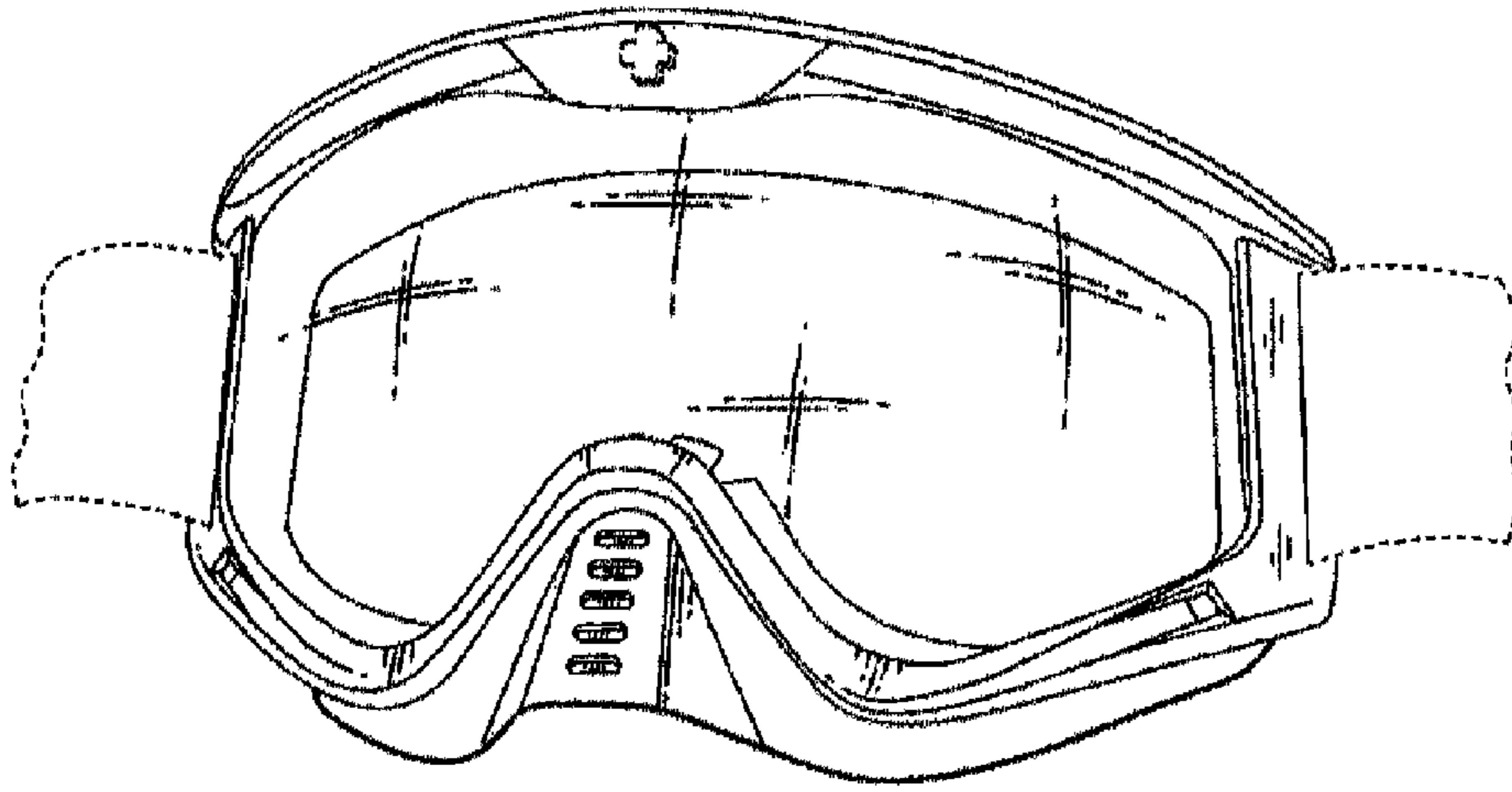
**1 Claim, 3 Drawing Sheets**



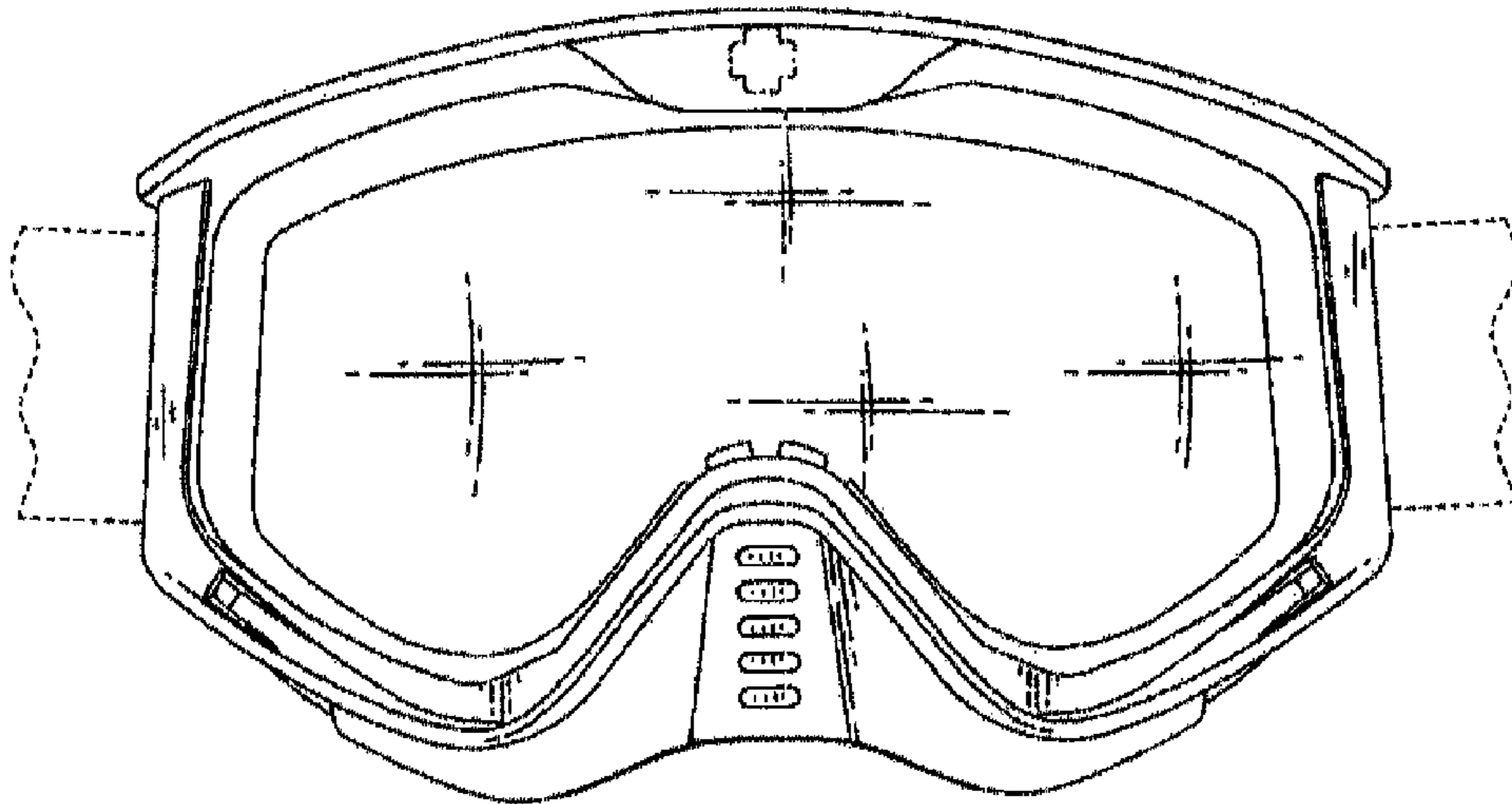
# US D669,113 S

U.S. PATENT DOCUMENTS			FOREIGN PATENT DOCUMENTS		
4,989,274 A	2/1991	Patelski, III	D439,596 S *	3/2001	Bolle ..... D16/312
5,018,223 A	5/1991	Dawson et al.	D442,206 S	5/2001	Meyerhoffer
5,027,443 A	7/1991	Watkins	6,227,665 B1	5/2001	Pernicka et al.
5,046,200 A	9/1991	Feder	6,253,387 B1	7/2001	Yu
5,056,163 A	10/1991	Chou	6,282,727 B1	9/2001	Lindahl
5,069,541 A	12/1991	Holmes et al.	6,282,728 B1	9/2001	Baragar et al.
5,093,940 A	3/1992	Nishiyama	D450,833 S *	11/2001	Olivieri ..... D24/110.2
5,138,723 A	8/1992	Bolle	6,321,391 B1	11/2001	Basso
5,182,817 A	2/1993	Branum	D457,545 S	5/2002	Khulusi
D334,758 S	4/1993	Reymondet et al.	D457,551 S	5/2002	Khulusi
5,213,241 A	5/1993	Dewar et al.	6,415,452 B1	7/2002	Watanabe et al.
5,216,759 A	6/1993	Hewitt et al.	6,460,196 B2	10/2002	Tsubooka et al.
5,339,119 A	8/1994	Gardner	6,467,098 B1	10/2002	Lee
5,341,516 A	8/1994	Keim	D477,010 S	7/2003	Moritz et al.
D351,850 S	10/1994	Bolle	6,611,965 B1	9/2003	Lee
5,363,512 A	11/1994	Grabos, Jr. et al.	6,611,966 B1	9/2003	Yamamoto et al.
5,371,555 A	12/1994	Nagel	6,637,038 B1	10/2003	Hussey
D358,159 S *	5/1995	Lai ..... D16/312	6,665,885 B2	12/2003	Masumoto
5,410,763 A	5/1995	Bolle	6,691,324 B1	2/2004	Nakamura
5,421,037 A	6/1995	Schulze	6,704,944 B2	3/2004	Kawainshi et al.
5,423,092 A	6/1995	Kawai	6,715,157 B2	4/2004	Mage
5,452,480 A	9/1995	Ryden	6,718,561 B2	4/2004	Dondero
D364,181 S *	11/1995	Arnette ..... D16/312	6,728,974 B2	5/2004	Wadsworth
5,471,036 A	11/1995	Sperbeck	6,732,382 B2	5/2004	Dondero
D367,664 S *	3/1996	Simioni ..... D16/309	6,732,383 B2	5/2004	Cleary et al.
5,495,623 A	3/1996	Leonardi	6,772,448 B1	8/2004	Hockaday et al.
5,517,700 A	5/1996	Hoffman	6,826,785 B2	12/2004	McNeal
D371,566 S *	7/1996	Kolada et al. .... D16/311	D505,444 S *	5/2005	Borlet et al. .... D16/312
5,542,130 A	8/1996	Grabos et al.	6,896,366 B2	5/2005	Rice et al.
5,617,588 A	4/1997	Canavan et al.	D509,236 S	9/2005	Sheldon
5,628,072 A	5/1997	Haslbeck	6,964,067 B1	11/2005	Hartman
5,636,388 A	6/1997	Hodges	6,986,169 B2	1/2006	Nakamura
5,642,530 A	7/1997	Parks	7,039,959 B2	5/2006	Dondero
5,650,866 A	7/1997	Haslbeck	7,052,127 B2	5/2006	Harrison
5,652,965 A	8/1997	Crooks	7,058,992 B1	6/2006	Ogonowsky
5,655,228 A	8/1997	Chiang	7,062,797 B2	6/2006	Khulusi
5,657,106 A	8/1997	Herald, Jr. et al.	7,073,208 B2	7/2006	Penque, Jr. et al.
5,657,493 A *	8/1997	Ferrero et al. .... 2/428	7,096,514 B2	8/2006	Khulusi
5,685,022 A	11/1997	Essman et al.	7,100,215 B2	9/2006	Shiue
5,687,428 A	11/1997	Yamamoto	7,137,153 B2	11/2006	Hussey
5,689,834 A	11/1997	Wilson	D537,098 S	2/2007	Sheldon et al.
5,711,035 A	1/1998	Haslbeck	7,181,779 B2	2/2007	Hussey
D390,248 S *	2/1998	Pranger ..... D16/311	7,192,137 B2	3/2007	Ishibashi et al.
D391,594 S	3/1998	Huh	7,200,875 B2	4/2007	Dondero
5,768,716 A	6/1998	Porsche	D542,327 S	5/2007	Hsu
5,802,622 A	9/1998	Baharad et al.	D542,829 S	5/2007	Hsu
5,809,580 A	9/1998	Arnette	D542,830 S	5/2007	Hsu
5,813,990 A	9/1998	Ryll	7,260,850 B2	8/2007	Ambuske et al.
5,815,235 A	9/1998	Runckel	D550,749 S *	9/2007	Chiang ..... D16/311
5,818,569 A	10/1998	Berent	7,290,294 B2	11/2007	Kita
5,845,341 A	12/1998	Barthold et al.	D559,299 S	1/2008	Tabacchi
D405,102 S	2/1999	Moritz et al.	7,343,631 B2	3/2008	Lin
5,867,841 A	2/1999	Chiang	7,356,854 B2	4/2008	Sheldon
D408,431 S *	4/1999	Simioni ..... D16/312	7,370,374 B2	5/2008	Penque, Jr. et al.
5,915,542 A	6/1999	Swiet	7,404,217 B2	7/2008	Polinelli et al.
5,927,281 A	7/1999	Monteleone et al.	7,407,283 B2 *	8/2008	Babineau et al. .... 351/41
5,937,439 A	8/1999	Barthold et al.	7,510,279 B2	3/2009	Van Atta et al.
5,940,891 A	8/1999	Lane	D591,786 S	5/2009	Wang
D413,915 S	9/1999	Newcomb et al.	7,526,813 B2	5/2009	Tominaga et al.
5,966,745 A	10/1999	Schwartz et al.	D598,040 S *	8/2009	Sheldon et al. .... D16/312
5,966,746 A	10/1999	Reedy et al.	D649,577 S *	11/2011	Goodman et al. .... D16/312
6,009,564 A	1/2000	Tackles et al.	2002/0148034 A1	10/2002	Lee
6,038,707 A	3/2000	Ryden et al.	2002/0157175 A1	10/2002	Dondero
6,047,410 A	4/2000	Dondero	2005/0128426 A1	6/2005	Shiue
6,049,917 A	4/2000	Ryden	2006/0048289 A1	3/2006	Shiue
6,076,196 A *	6/2000	Masumoto ..... 2/436	2006/0191062 A1	8/2006	Matera
D428,039 S *	7/2000	Thixton ..... D16/312	2007/0033718 A1	2/2007	Lin
6,092,243 A	7/2000	Wu et al.	2009/0019620 A1	1/2009	Reed
6,094,751 A	8/2000	Parks	2009/0038059 A1	2/2009	McNeal et al.
6,098,204 A	8/2000	Arnette	2009/0122258 A1	5/2009	Fielding, Jr.
6,098,205 A	8/2000	Schwartz et al.			
6,099,120 A	8/2000	De Lima			
6,105,177 A	8/2000	Paulson et al.	DE	2063092	7/1971
6,119,276 A	9/2000	Newcomb et al.	DE	2943472	5/1981
6,138,285 A	10/2000	Robrahn et al.	EP	0504518	8/1991
6,138,286 A	10/2000	Robrahn et al.	EP	1095577	7/2000

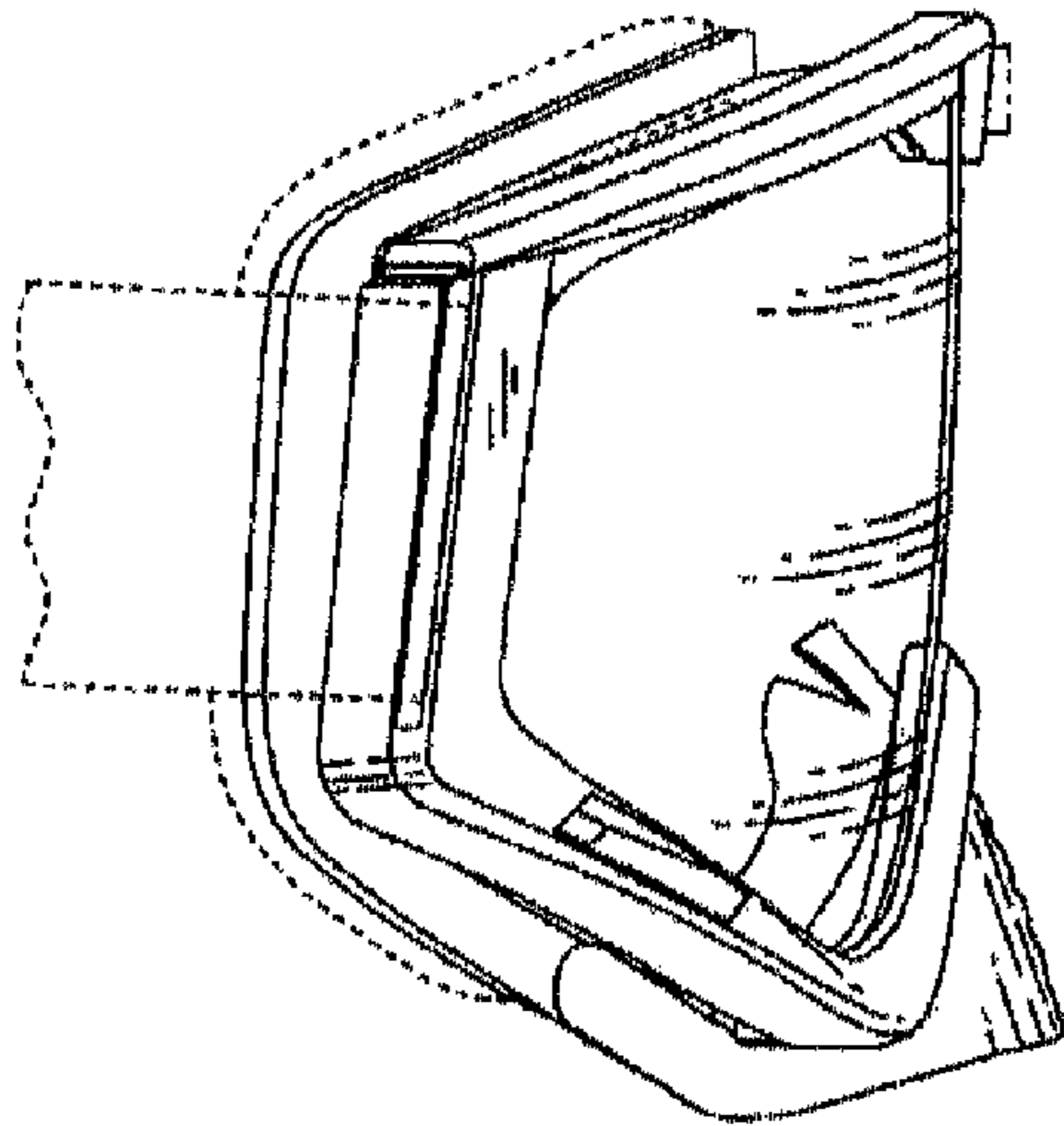
\* cited by examiner



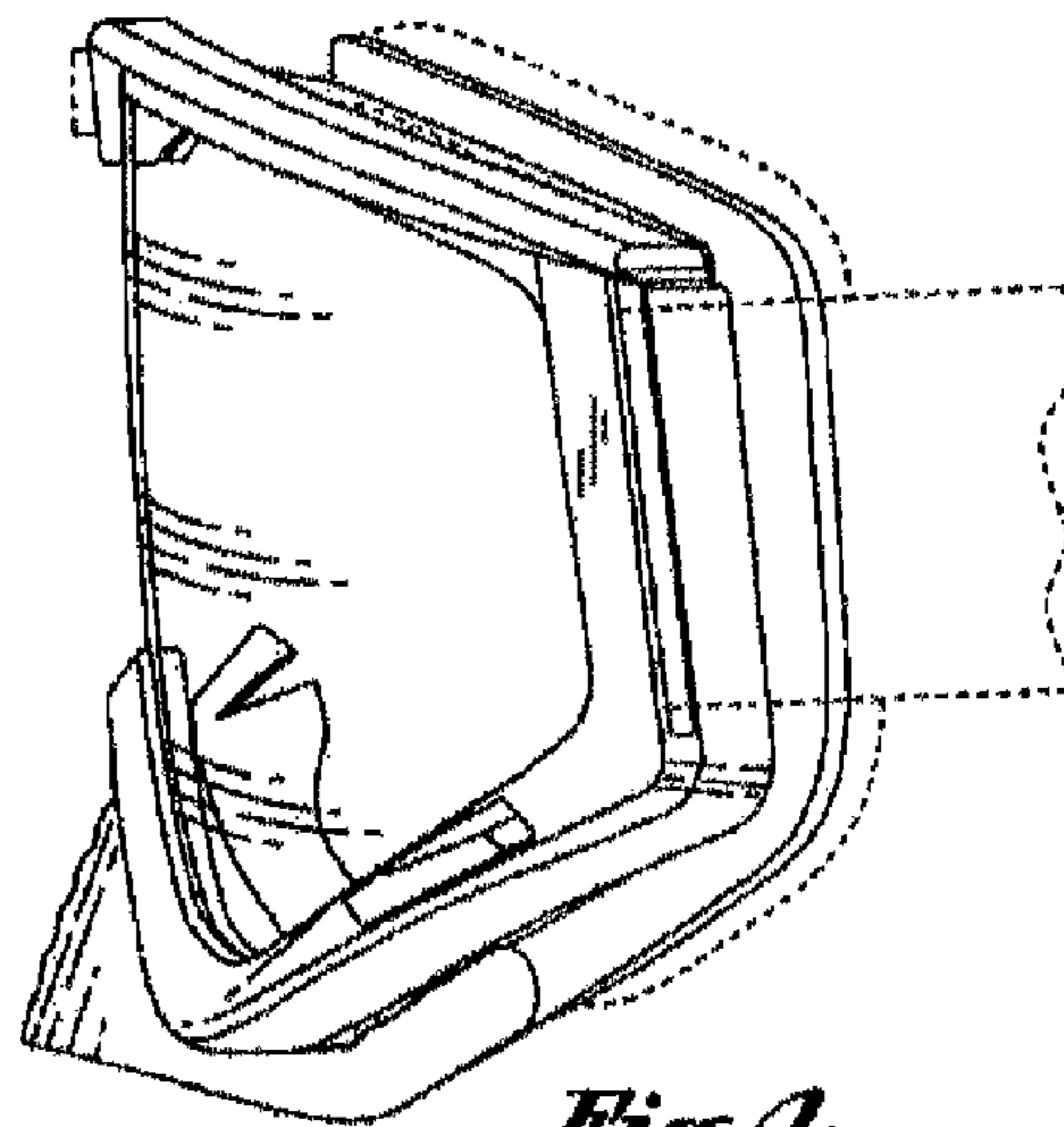
*Fig. 1*



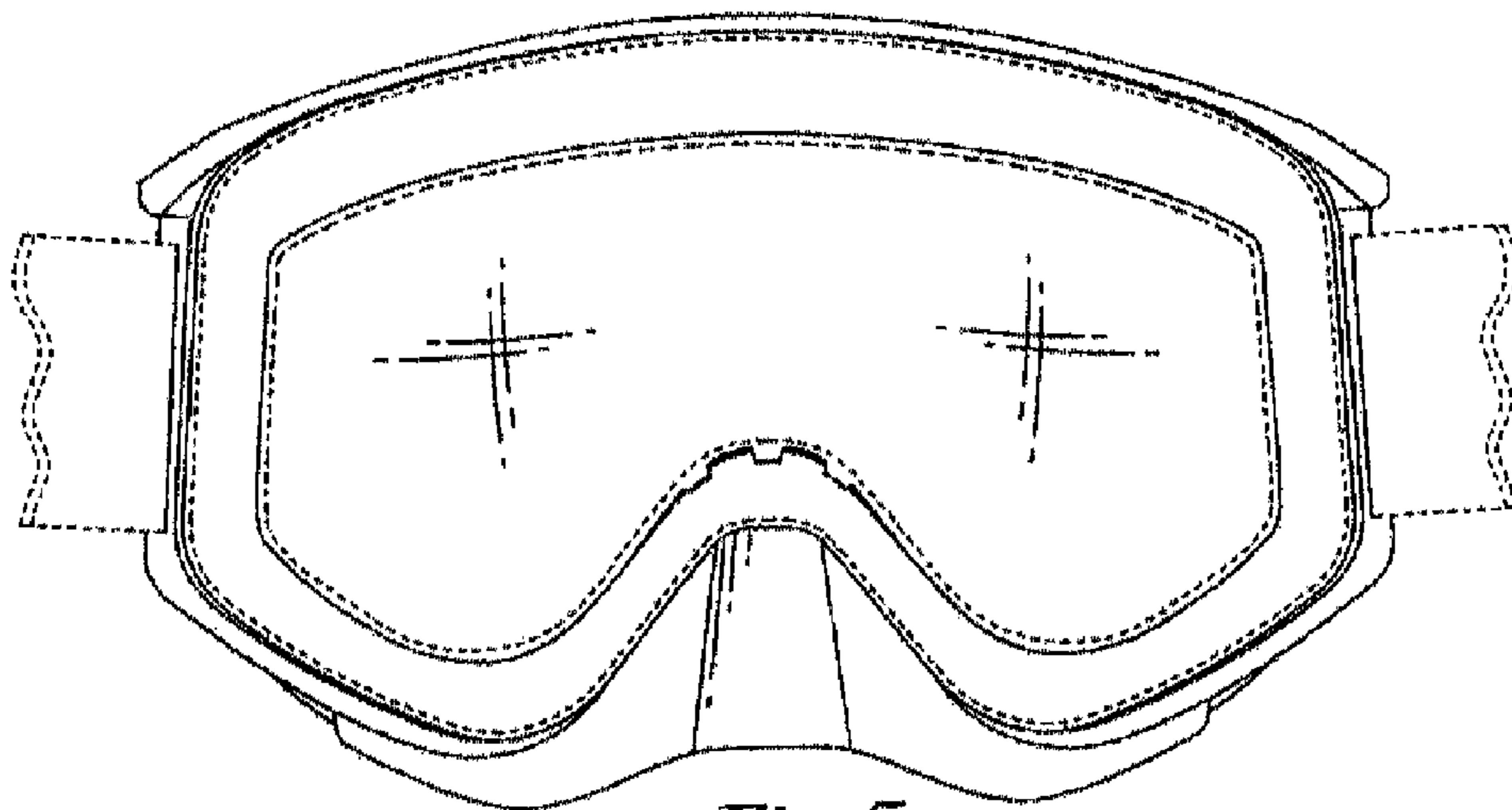
*Fig. 2*



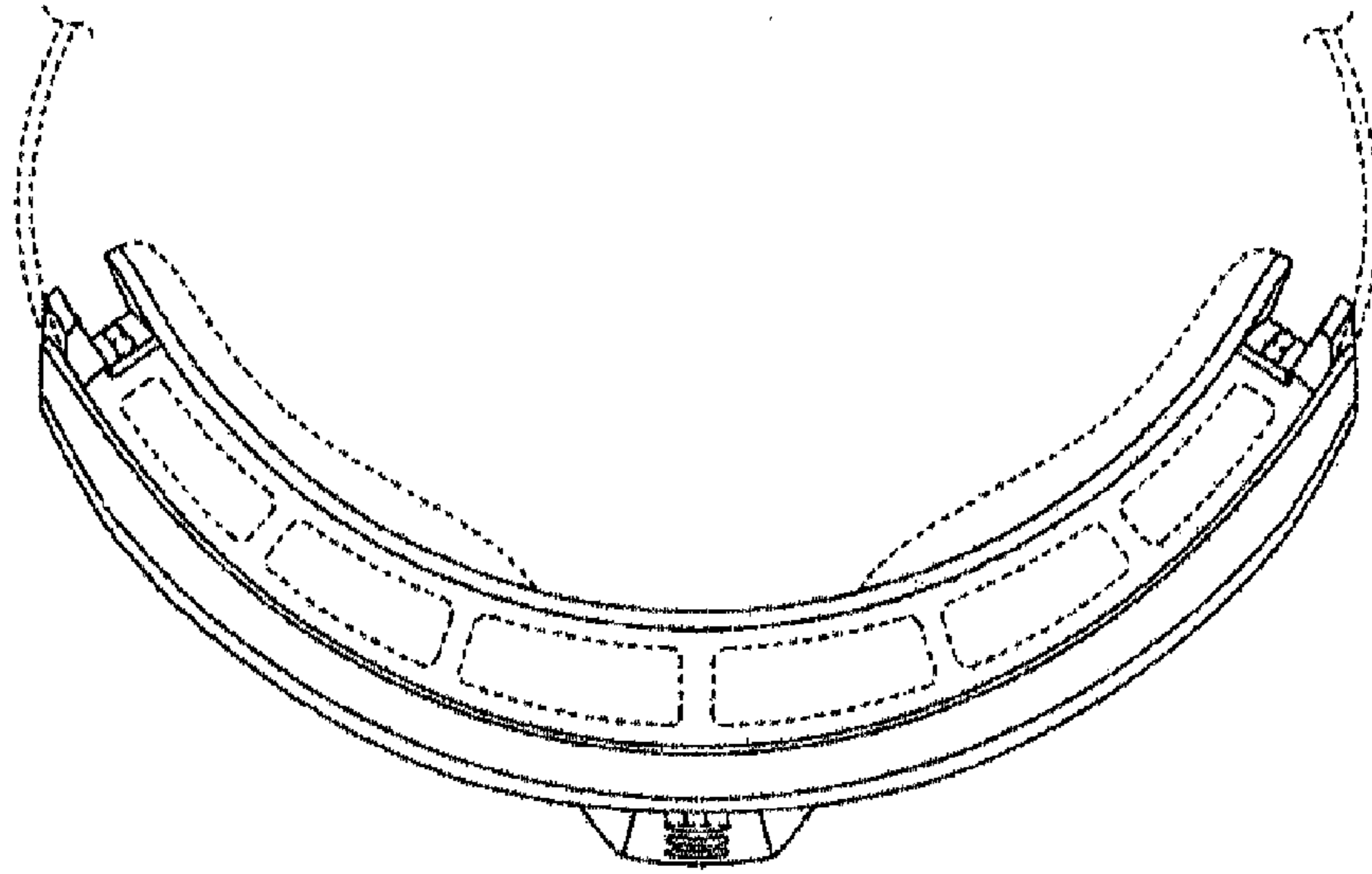
*Fig. 3*



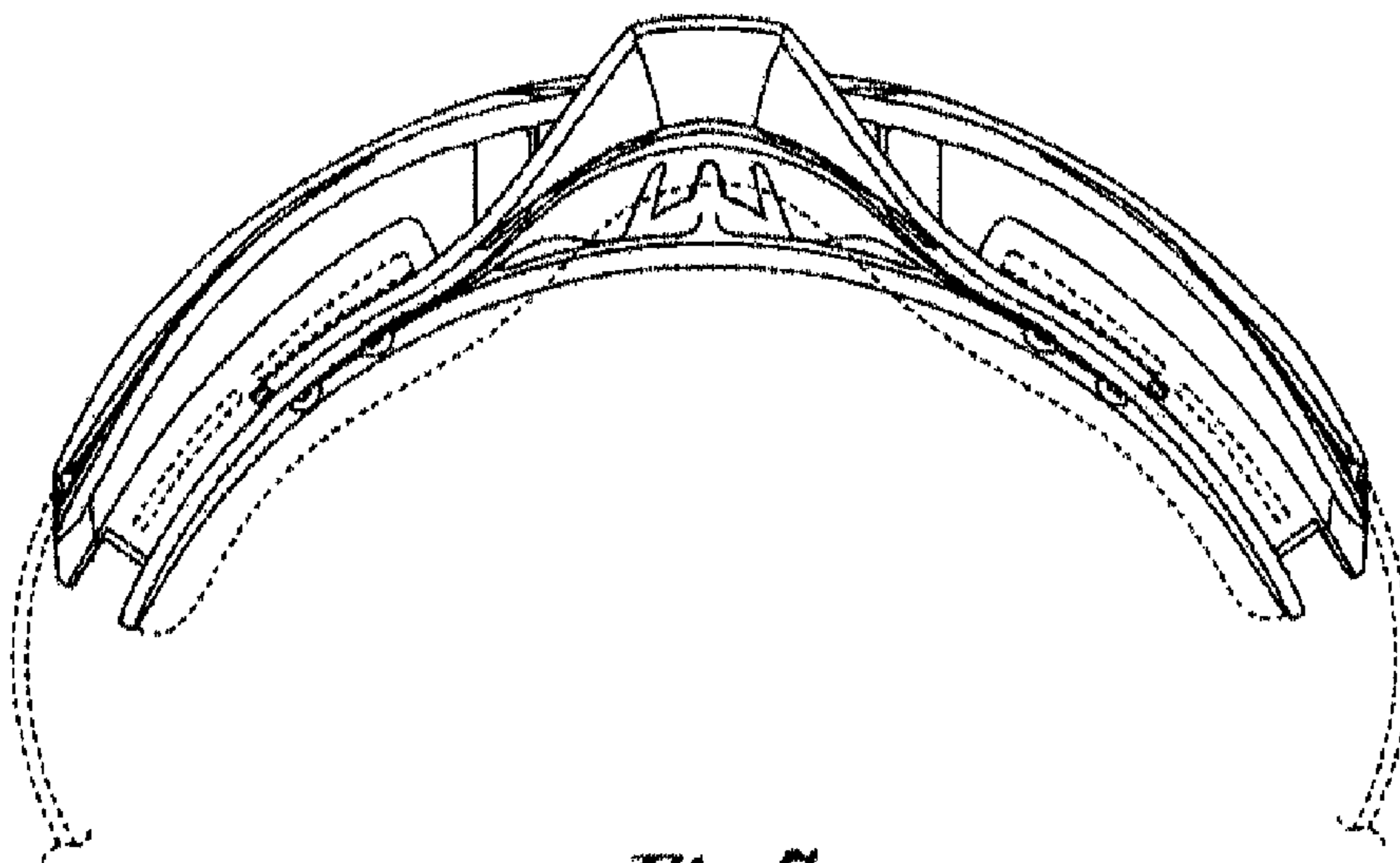
*Fig. 4*



*Fig. 5*



*Fig. 6*



*Fig. 7*