

US00D669110S

(12) **United States Design Patent**
Noh

(10) **Patent No.:** **US D669,110 S**
(45) **Date of Patent:** **** Oct. 16, 2012**

- (54) **DIGITAL CAMERA**
 - (75) Inventor: **Kyunghan Noh, Kyunggi-do (KR)**
 - (73) Assignee: **Samsung Electronics Co., Ltd., Suwon-si (KR)**
 - (**) Term: **14 Years**
 - (21) Appl. No.: **29/392,238**
 - (22) Filed: **May 19, 2011**
 - (51) **LOC (9) Cl.** **16-01**
 - (52) **U.S. Cl.** **D16/202**
 - (58) **Field of Classification Search** D16/200–204,
D16/208, 218; 348/373–376; 358/909.1;
396/535–541
- See application file for complete search history.

- D627,381 S * 11/2010 Kwon D16/202
- D634,765 S * 3/2011 Noh et al. D16/202
- D634,766 S * 3/2011 Ham D16/202
- D641,033 S * 7/2011 Nohara D16/202

* cited by examiner

Primary Examiner — Adir Aronovich

(74) *Attorney, Agent, or Firm* — Ladas & Parry LLP

(57) **CLAIM**

The ornamental design for a digital camera, as shown and described.

DESCRIPTION

FIG. 1 is a front, top and right-side perspective view of a digital camera showing my new design;
 FIG. 2 is a front elevational view thereof;
 FIG. 3 is a rear elevational view thereof;
 FIG. 4 is a left-side elevational view thereof;
 FIG. 5 is a right-side elevational view thereof;
 FIG. 6 is a top plan view thereof; and,
 FIG. 7 is a bottom plan view thereof.

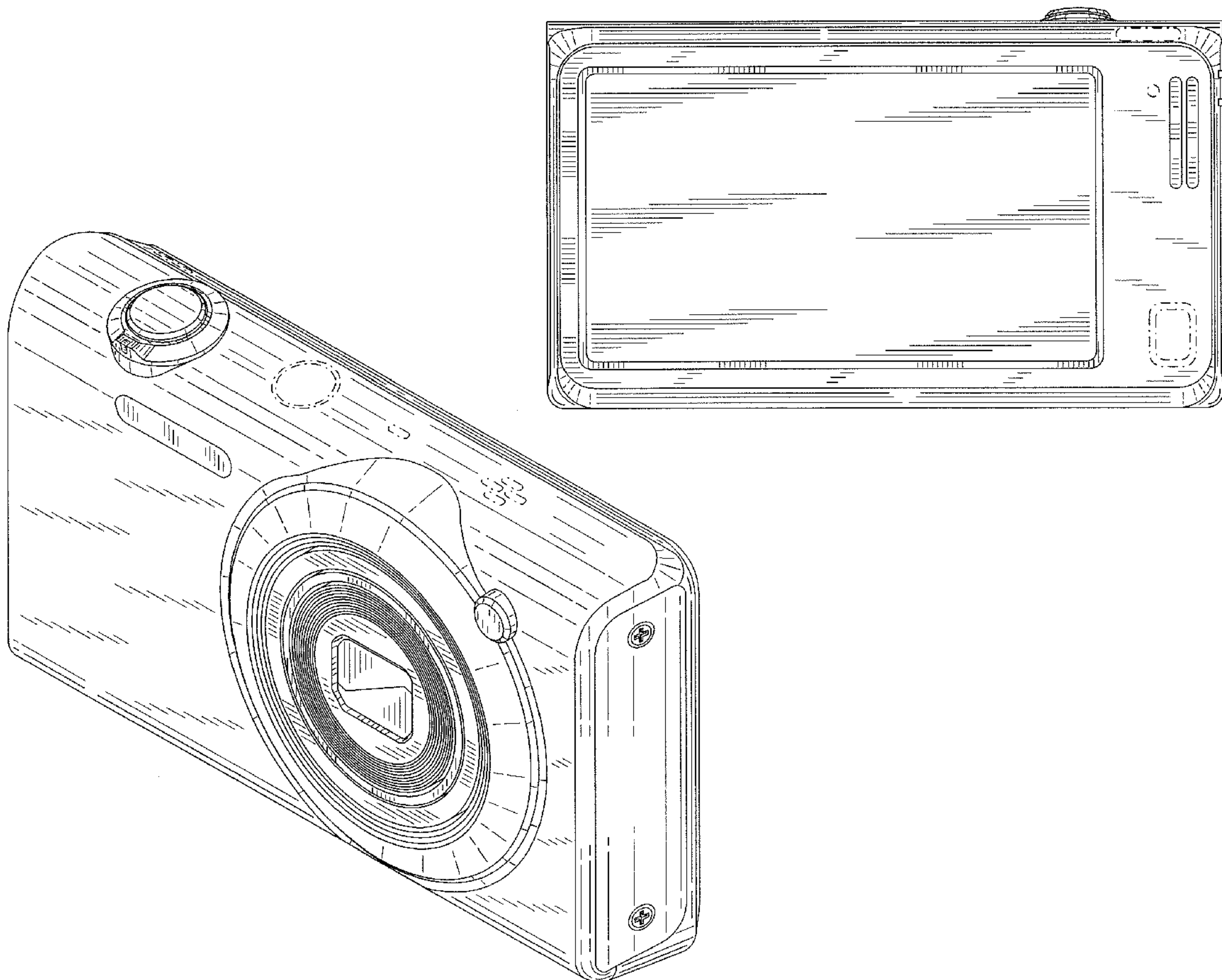
The portions of the camera in broken lines are shown for illustrative purposes only and form no part of the claimed design.

(56) **References Cited**

U.S. PATENT DOCUMENTS

- D545,335 S * 6/2007 Kanno D16/218
- D561,219 S * 2/2008 Nagayama et al. D16/202
- D568,358 S * 5/2008 Shimobayashi D16/202
- D577,756 S * 9/2008 Nakamura D16/202
- 7,646,426 B2 * 1/2010 Saiki et al. 348/373

1 Claim, 4 Drawing Sheets



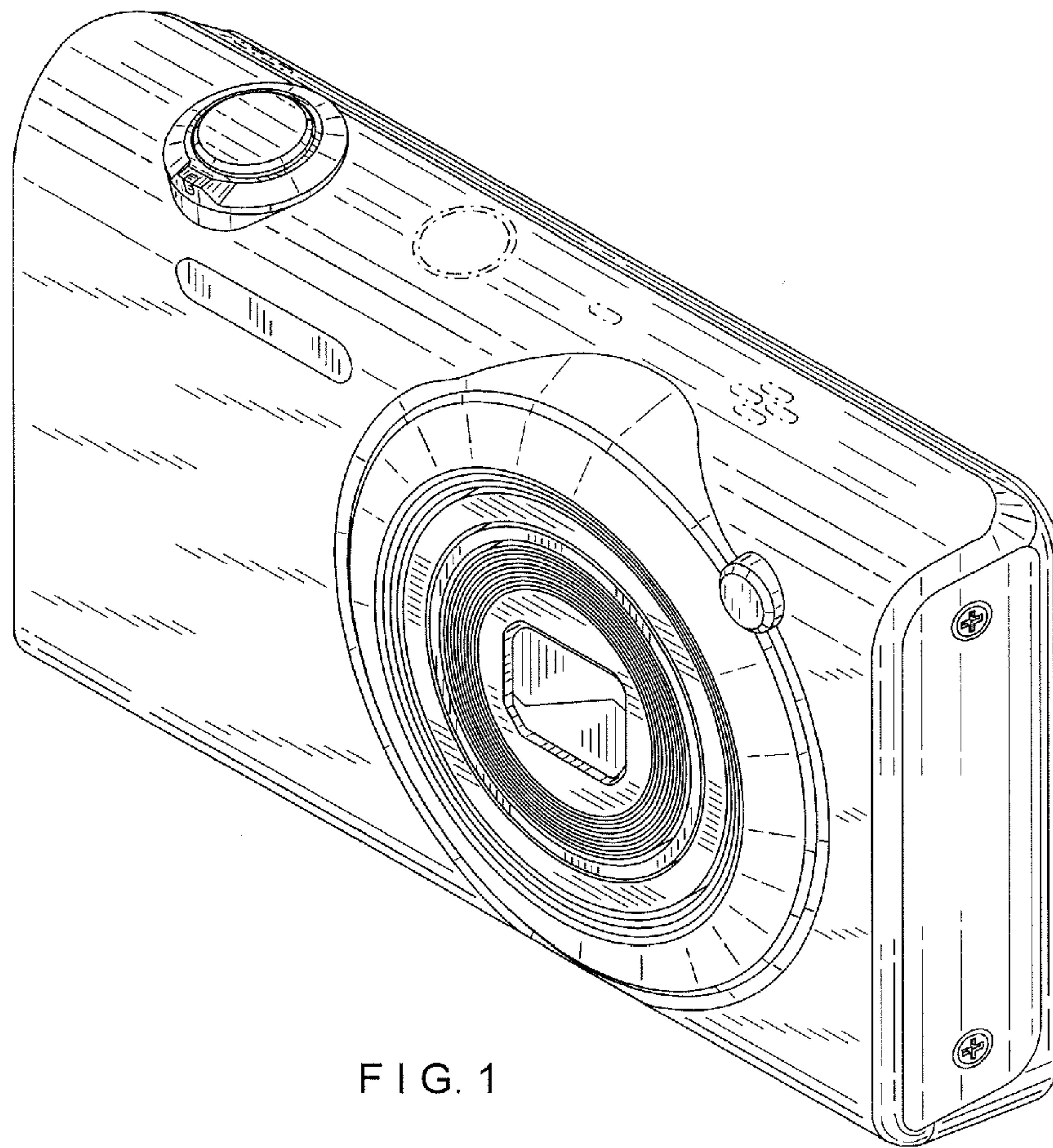


FIG. 1

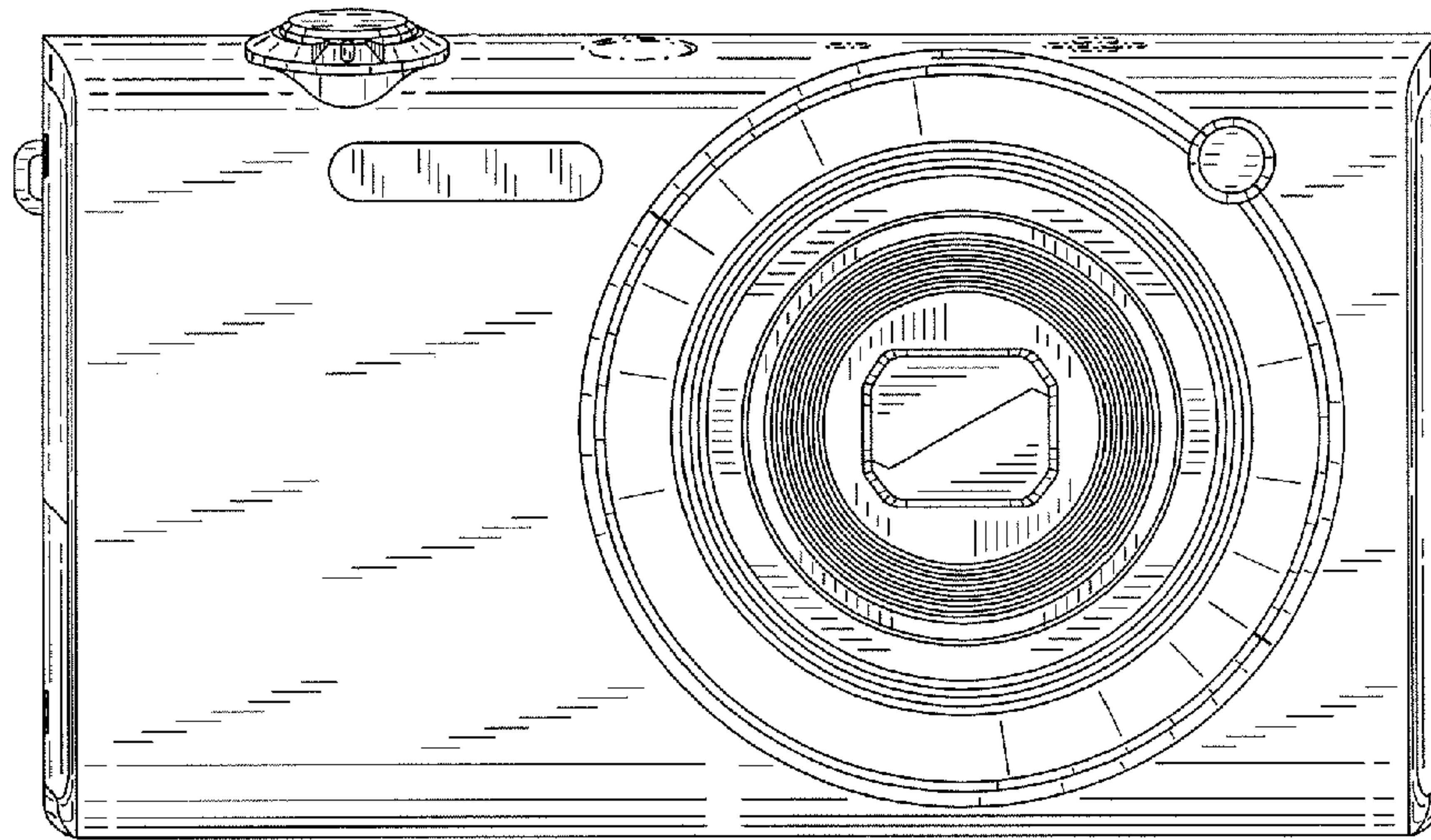


FIG. 2

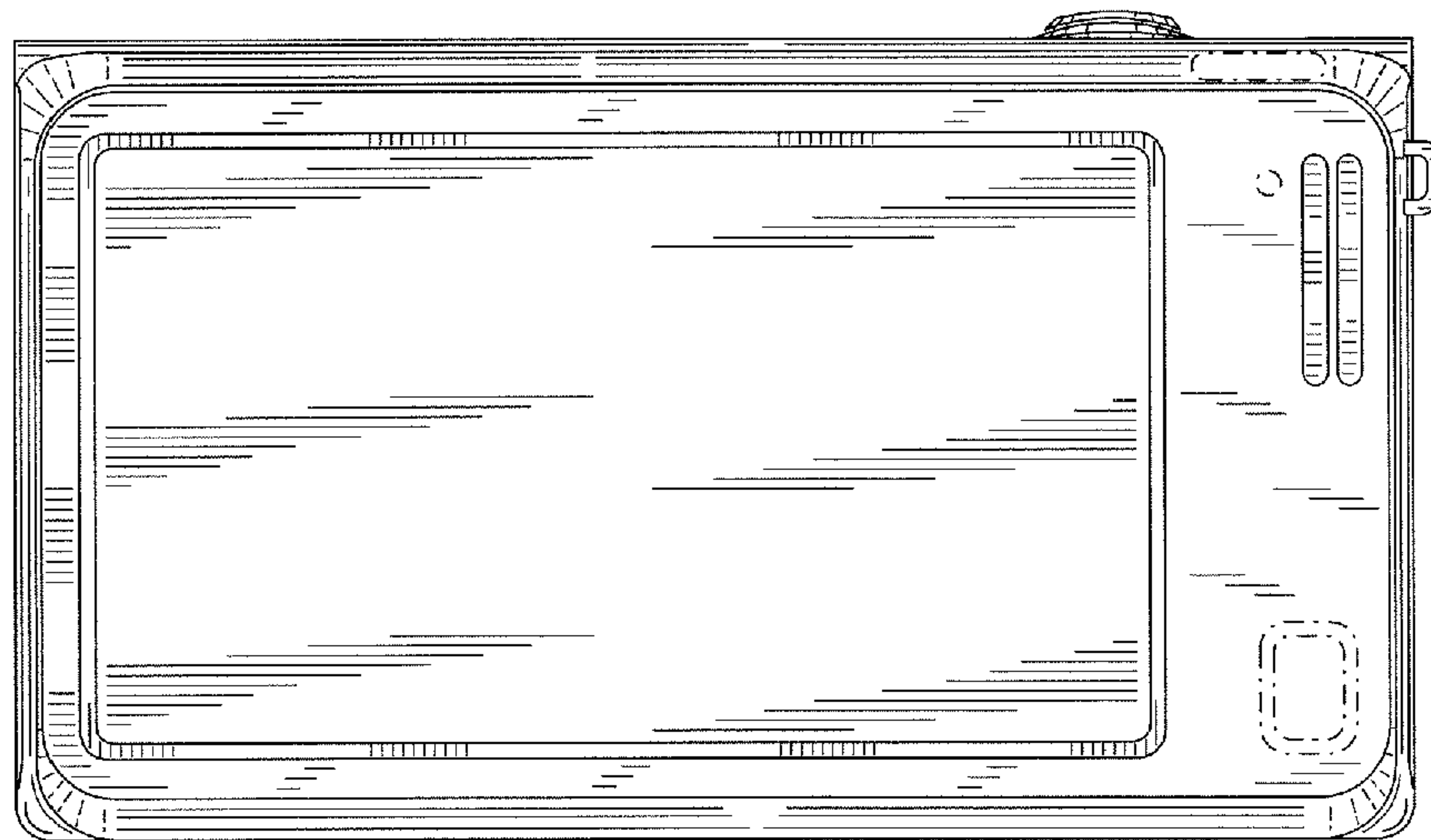


FIG. 3

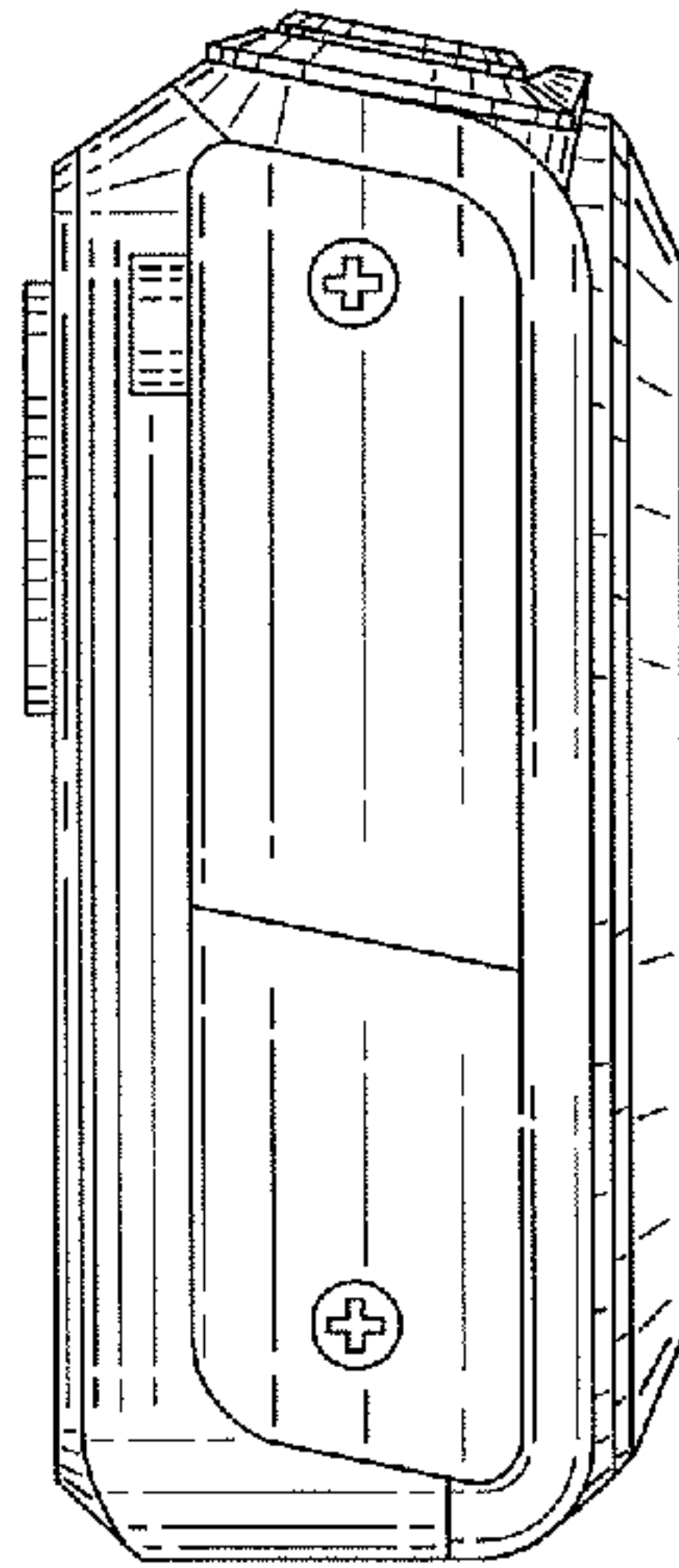


FIG. 4

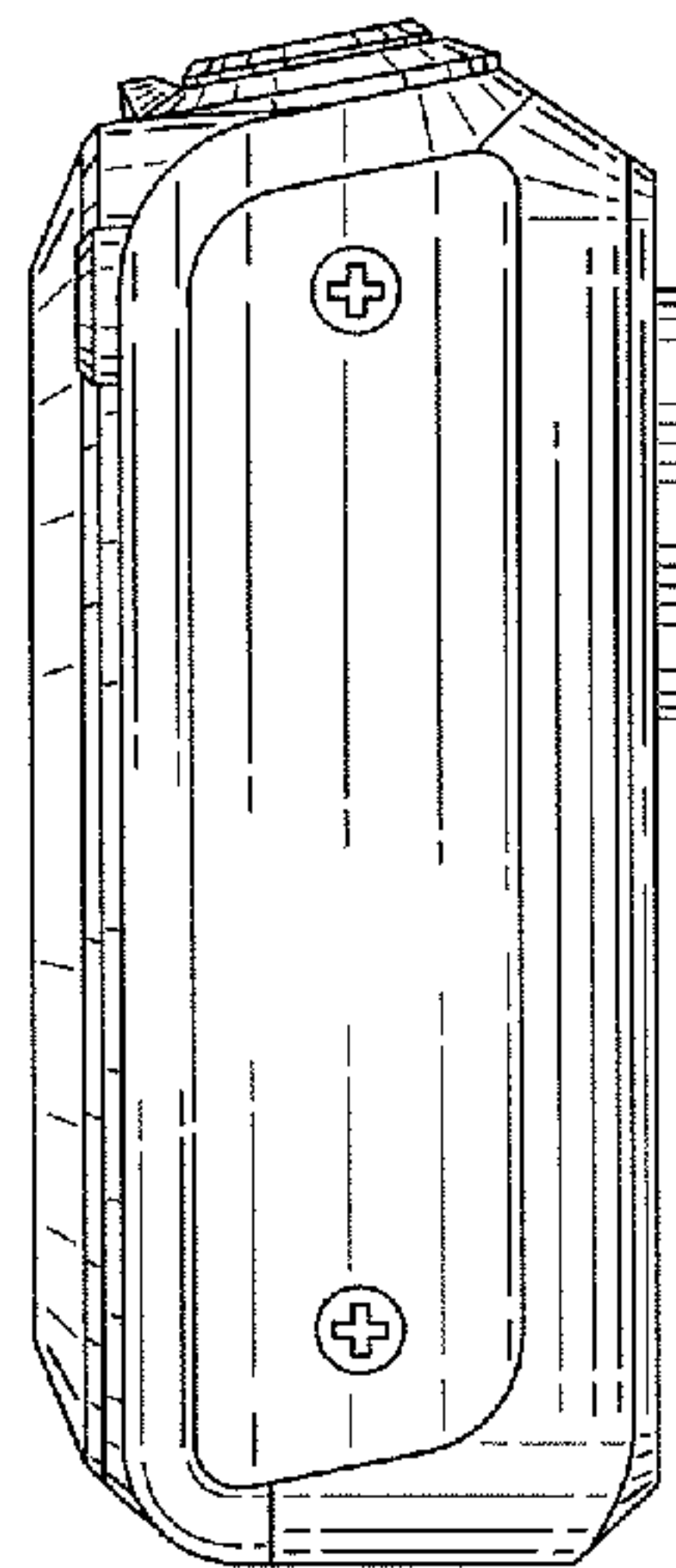


FIG. 5

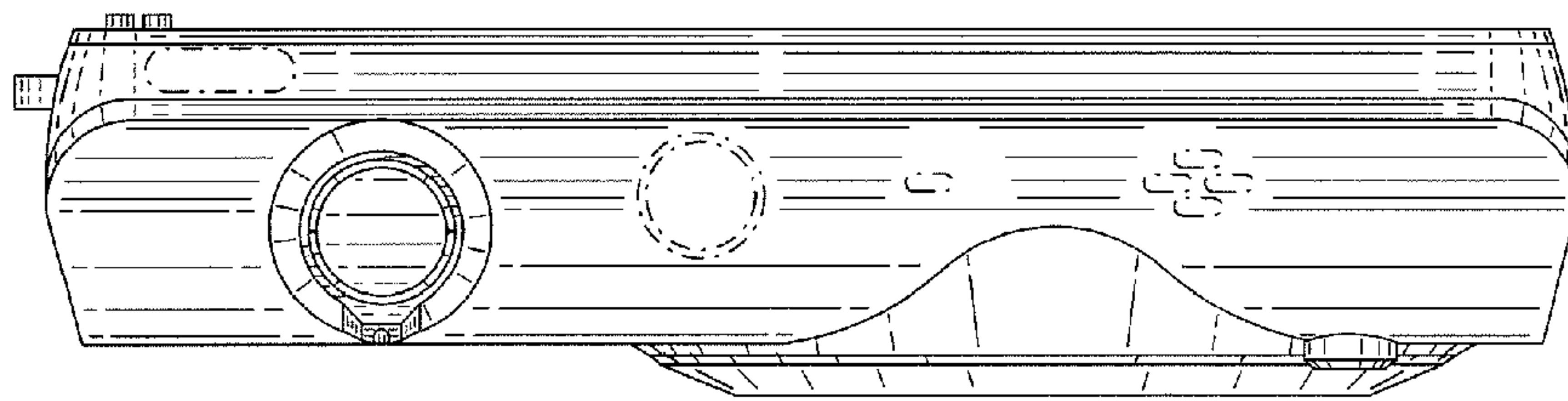


FIG. 6

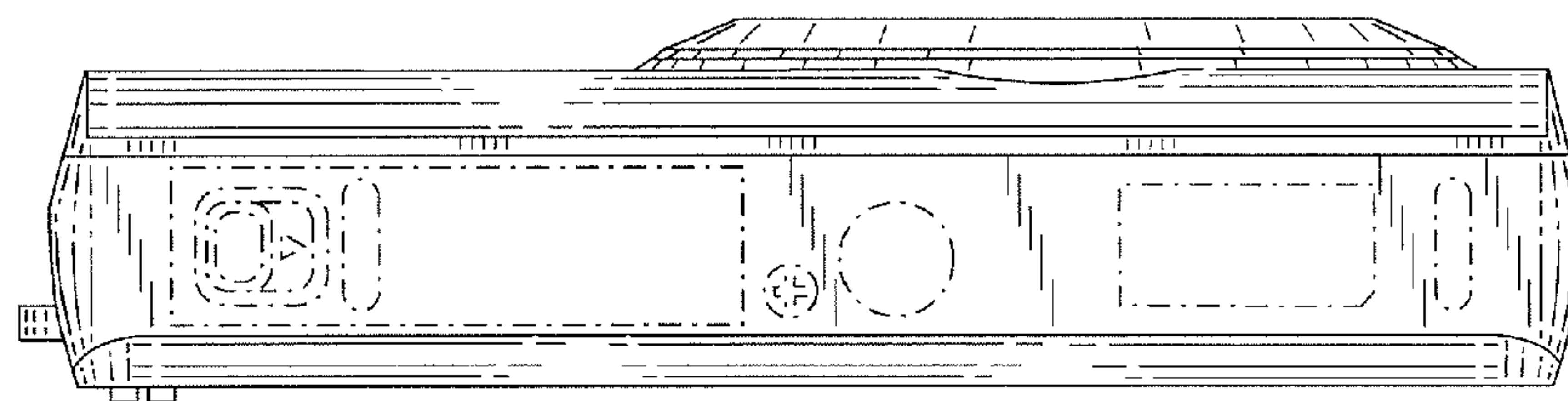


FIG. 7