



US00D669108S

(12) **United States Design Patent**  
**Maeyama**

(10) **Patent No.:** **US D669,108 S**

(45) **Date of Patent:** **\*\* Oct. 16, 2012**

(54) **VIDEO CAMERA**

(75) Inventor: **Koichi Maeyama**, Tokyo (JP)

(73) Assignee: **Sony Corporation**, Tokyo (JP)

(\*\*) Term: **14 Years**

(21) Appl. No.: **29/371,029**

(22) Filed: **Sep. 20, 2010**

(30) **Foreign Application Priority Data**

Mar. 22, 2010 (CN) ..... 2010 3 0142569

(51) **LOC (9) Cl.** ..... **16-01**

(52) **U.S. Cl.** ..... **D16/202; D16/203**

(58) **Field of Classification Search** ..... D16/200,  
D16/202, 204, 208, 212, 218, 219; 348/373,  
348/374, 375, 376; 358/909.1; 396/349,  
396/448, 535, 536, 537, 538, 539, 540, 541  
See application file for complete search history.

(56) **References Cited**

**U.S. PATENT DOCUMENTS**

D412,515 S	8/1999	Oka	
D440,587 S	4/2001	Morooka	
D461,360 S *	8/2002	Bossler	D7/337
D528,576 S *	9/2006	Chung et al.	D16/202
D534,565 S	1/2007	Sadatsuki	
D543,223 S	5/2007	Uchiyama et al.	

D558,805 S	1/2008	Sadatsuki	
D565,081 S *	3/2008	Ishikawa	D16/235
D586,836 S *	2/2009	Liow et al.	D16/218
7,522,834 B2 *	4/2009	Heaven et al.	396/535
D592,231 S *	5/2009	Schnell	D16/202
D621,435 S *	8/2010	Green et al.	D16/219
D655,325 S *	3/2012	Nojima et al.	D16/131

\* cited by examiner

*Primary Examiner* — Cynthia Underwood

(74) *Attorney, Agent, or Firm* — Rader, Fishman & Grauer PLLC

(57) **CLAIM**

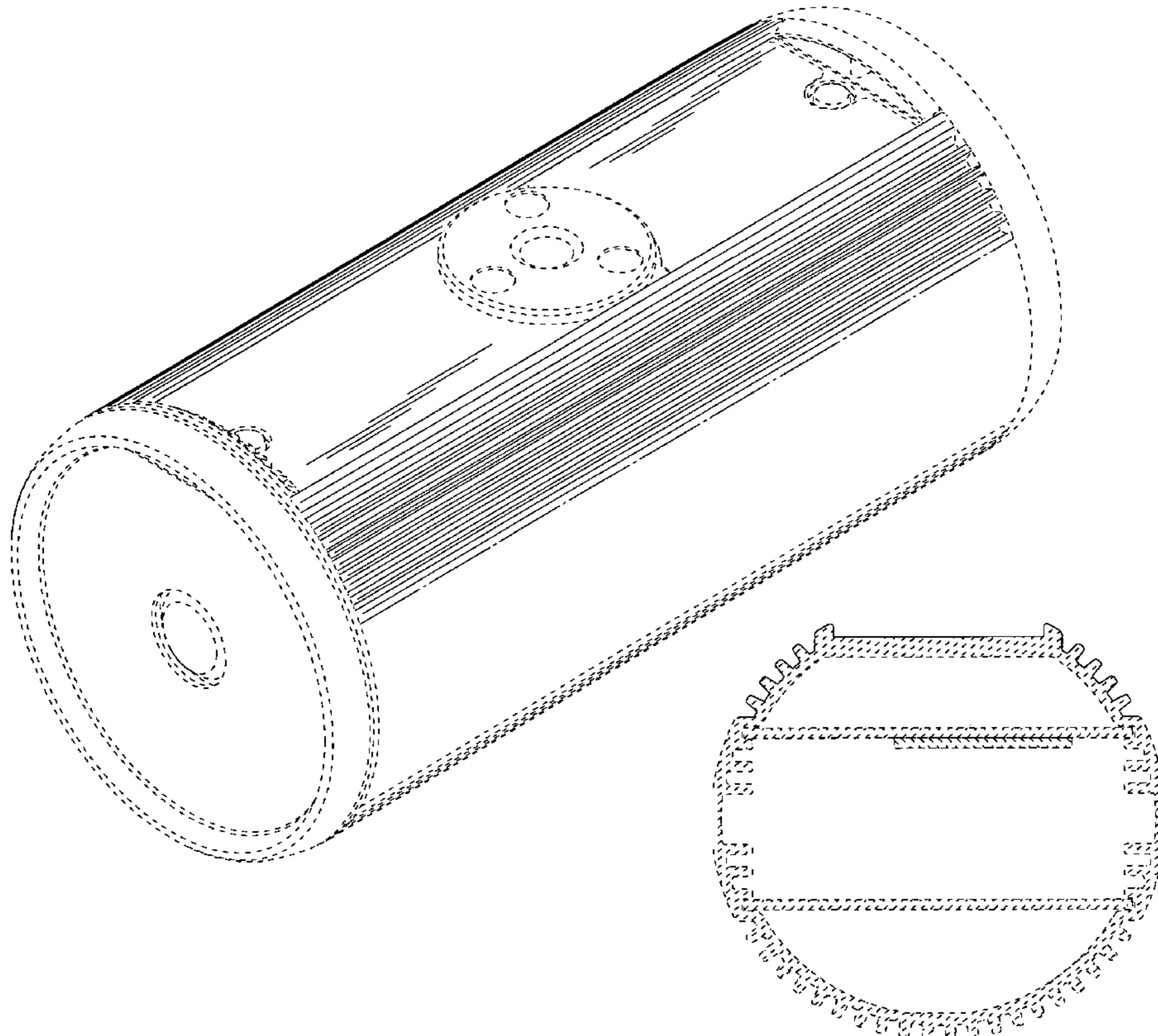
The ornamental design for a video camera, as shown and described.

**DESCRIPTION**

FIG. 1 is a perspective view of a video camera showing my new design;  
FIG. 2 is a left side elevational view thereof;  
FIG. 3 is a right side elevational view thereof;  
FIG. 4 is a top plan view thereof; and  
FIG. 5 is a cross sectional view thereof along the line 5-5 of FIG. 4.

Portions in broken lines are for illustrative purposes only and form no part of claimed design.

**1 Claim, 5 Drawing Sheets**



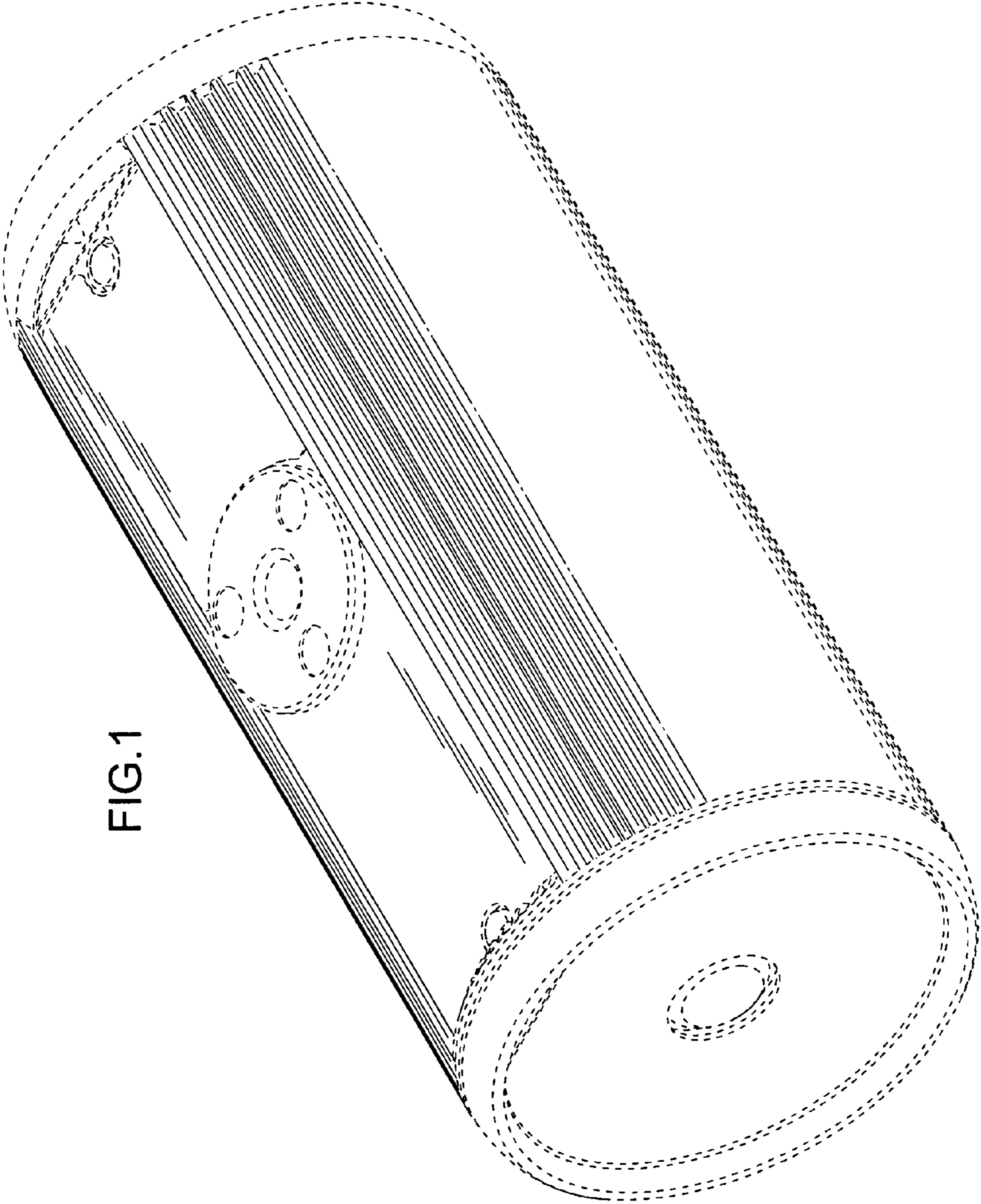


FIG. 1

FIG.2

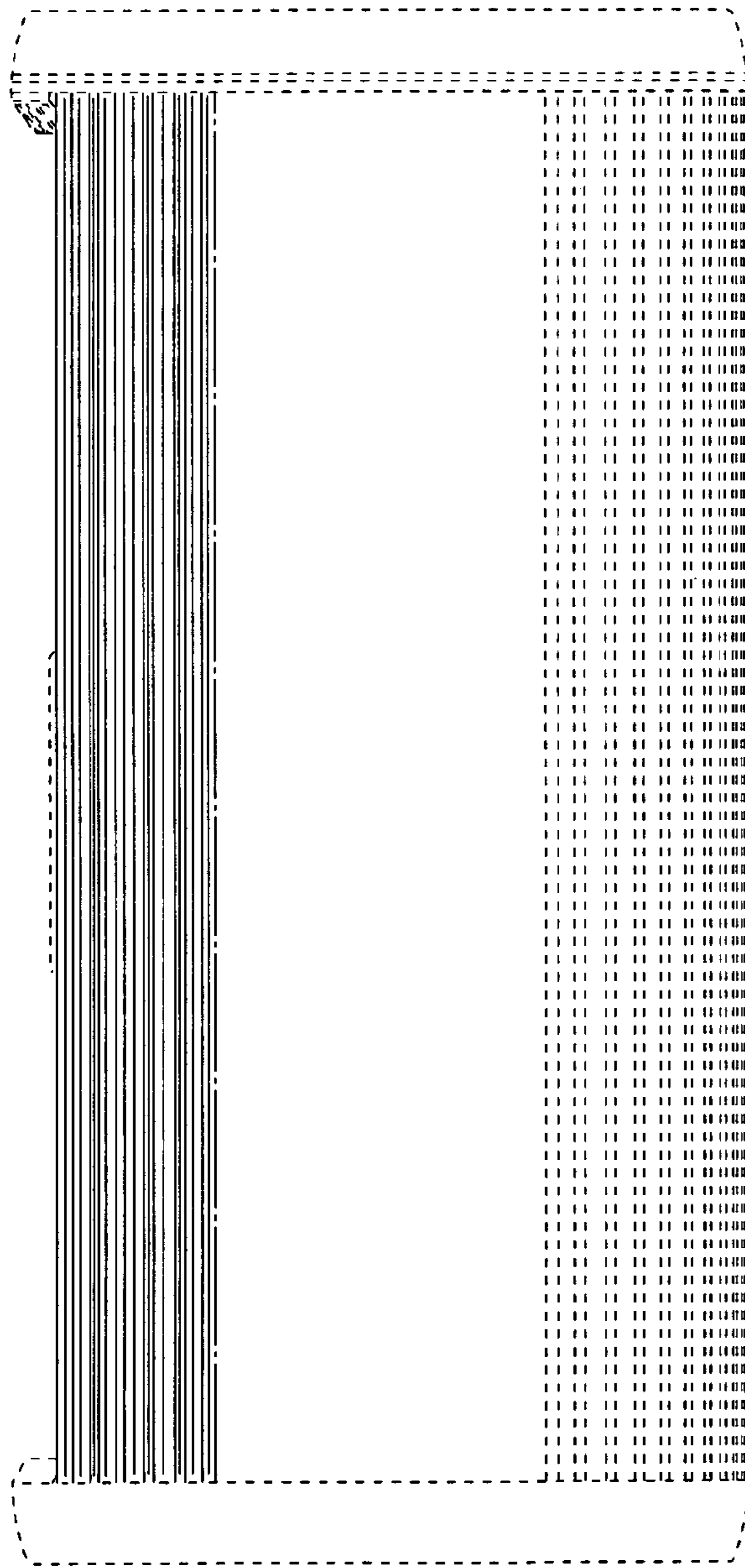


FIG.3

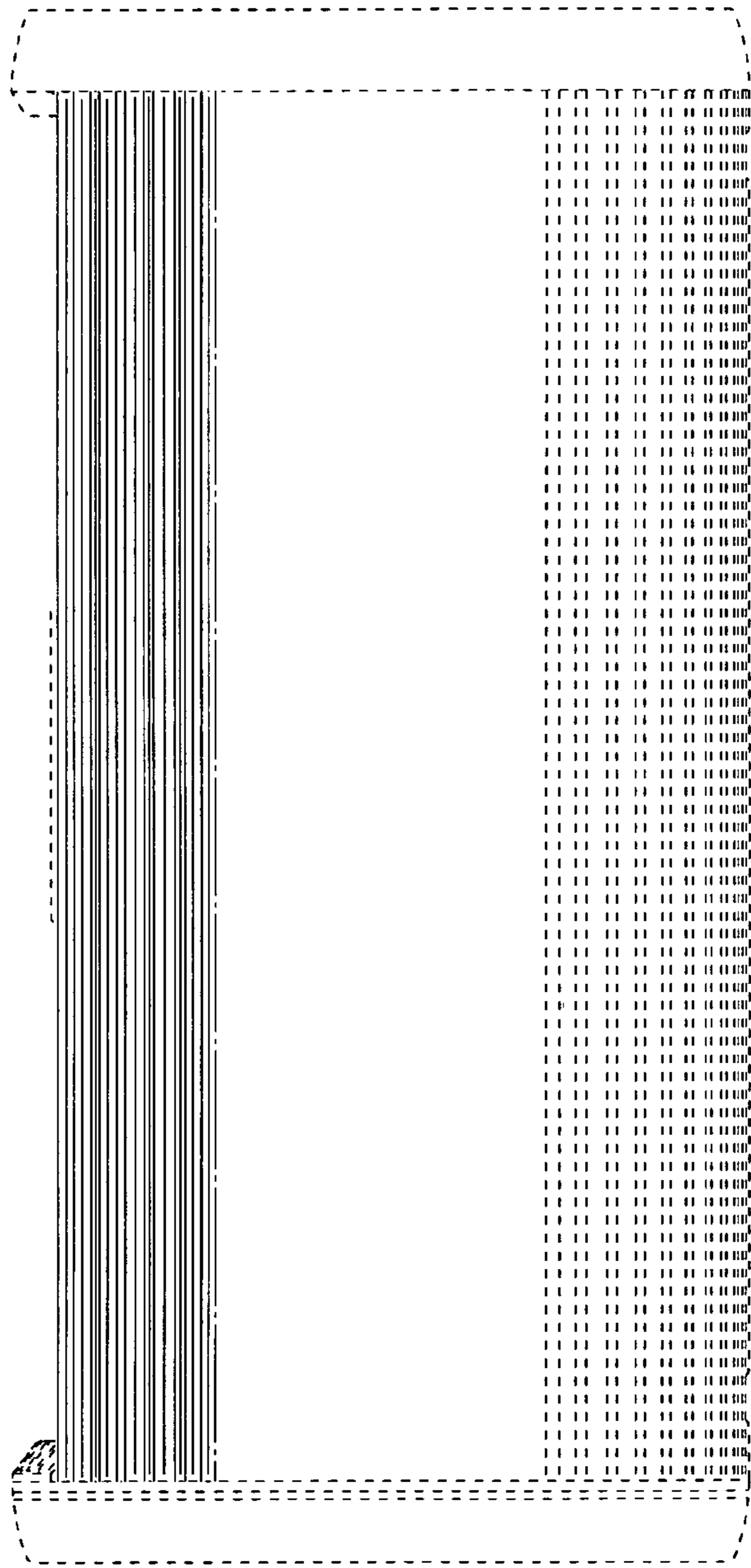




FIG.4

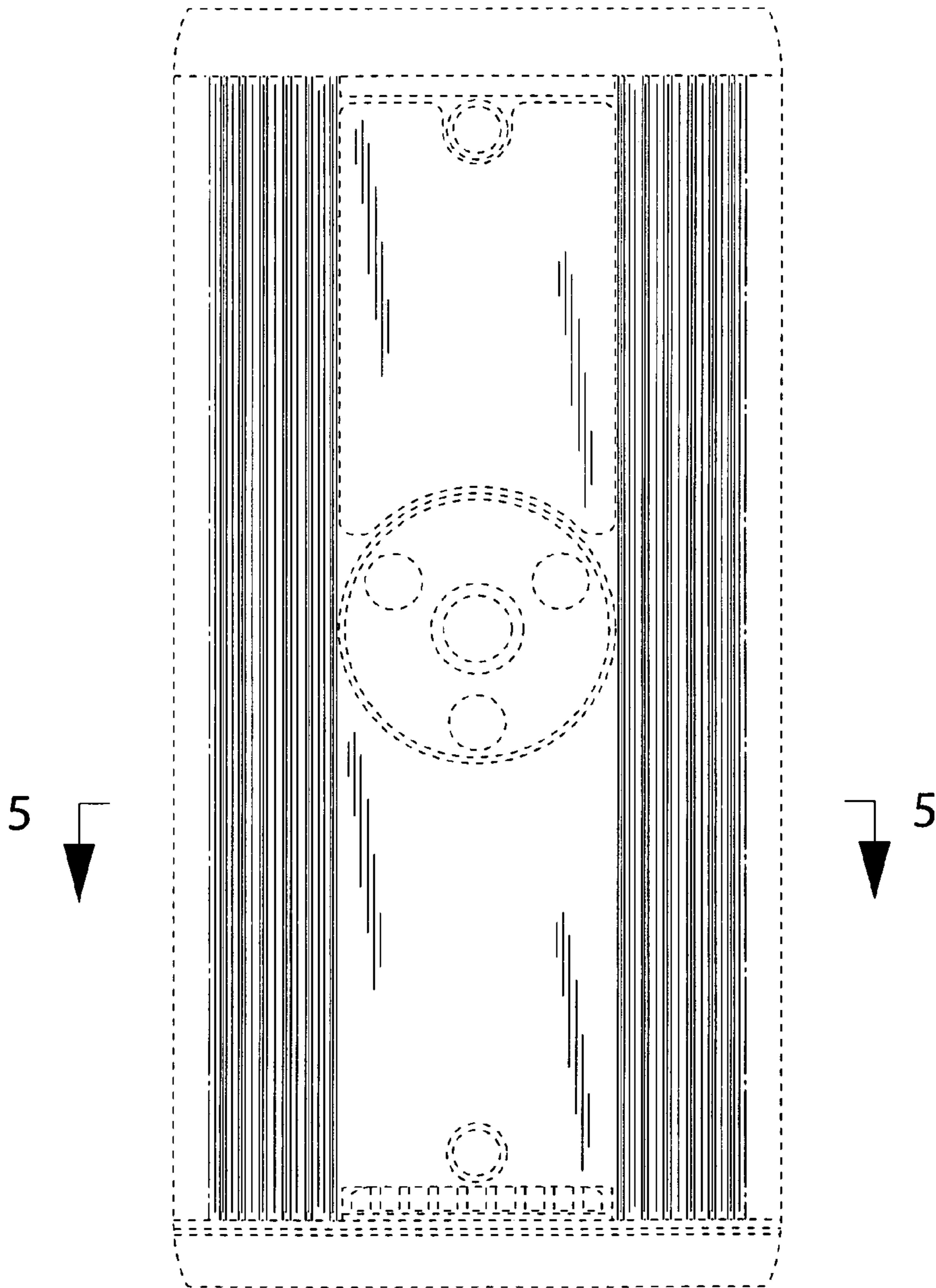


FIG.5

