



US00D669107S

(12) **United States Design Patent**
Yoneda

(10) **Patent No.:** **US D669,107 S**
(45) **Date of Patent:** **** Oct. 16, 2012**

(54) **BINOCULARS**

(75) Inventor: **Naofumi Yoneda**, Tokyo (JP)

(73) Assignee: **Sony Corporation**, Tokyo (JP)

(**) Term: **14 Years**

(21) Appl. No.: **29/371,953**

(22) Filed: **Feb. 9, 2012**

(30) **Foreign Application Priority Data**

Aug. 12, 2011 (JP) D2011-018609

(51) **LOC (9) Cl.** **16-06**

(52) **U.S. Cl.** **D16/133; D16/134**

(58) **Field of Classification Search** D16/133,
D16/130, 300, 221, 302, 305, 306, 134, 135,
D16/136, 137, 313, 340; 359/802, 803, 808,
359/809, 810, 811, 817, 819

See application file for complete search history.

(56) **References Cited**

U.S. PATENT DOCUMENTS

D130,604 S *	12/1941	Rosse	D16/222
D140,252 S *	2/1945	Herbert	D16/135
D179,088 S *	10/1956	Klein	D16/133
3,434,772 A *	3/1969	Fogle	359/377
D215,575 S *	10/1969	Huggins	D16/313
D243,844 S *	3/1977	Petschnikoff	D16/302
4,013,341 A *	3/1977	Riley	359/408
4,239,328 A *	12/1980	Justice et al.	359/408
4,443,071 A *	4/1984	Ueda	359/399
D275,205 S *	8/1984	Nakayama	D16/133
4,478,498 A *	10/1984	Ohno	359/408
4,893,898 A *	1/1990	Beard	359/464
5,037,192 A *	8/1991	Arad	351/41
D322,083 S *	12/1991	McDannald	D16/302
5,110,197 A *	5/1992	Arad	351/41
5,120,119 A *	6/1992	Mats	351/157
D336,654 S *	6/1993	Kung	D16/133
5,559,632 A *	9/1996	Lawrence et al.	359/478
5,727,251 A *	3/1998	Sherlock et al.	2/15

5,886,771 A *	3/1999	Osgood	352/43
D412,515 S	8/1999	Oka	
D434,787 S *	12/2000	Spilkin et al.	D16/302
D522,551 S *	6/2006	Hayashi	D16/133
D534,565 S	1/2007	Sadatsuki	
D534,936 S	1/2007	Sadatsuki	

OTHER PUBLICATIONS

Web page, "Pentax Papilio" www.pentax.jp/japan/products/binoculars/short/papilio/spec.html, 2 sheets, Pentax Ricoh Imaging Co., Ltd., Mar. 2011.

* cited by examiner

Primary Examiner — Paula Greene

(74) *Attorney, Agent, or Firm* — Rader, Fishman & Grauer PLLC

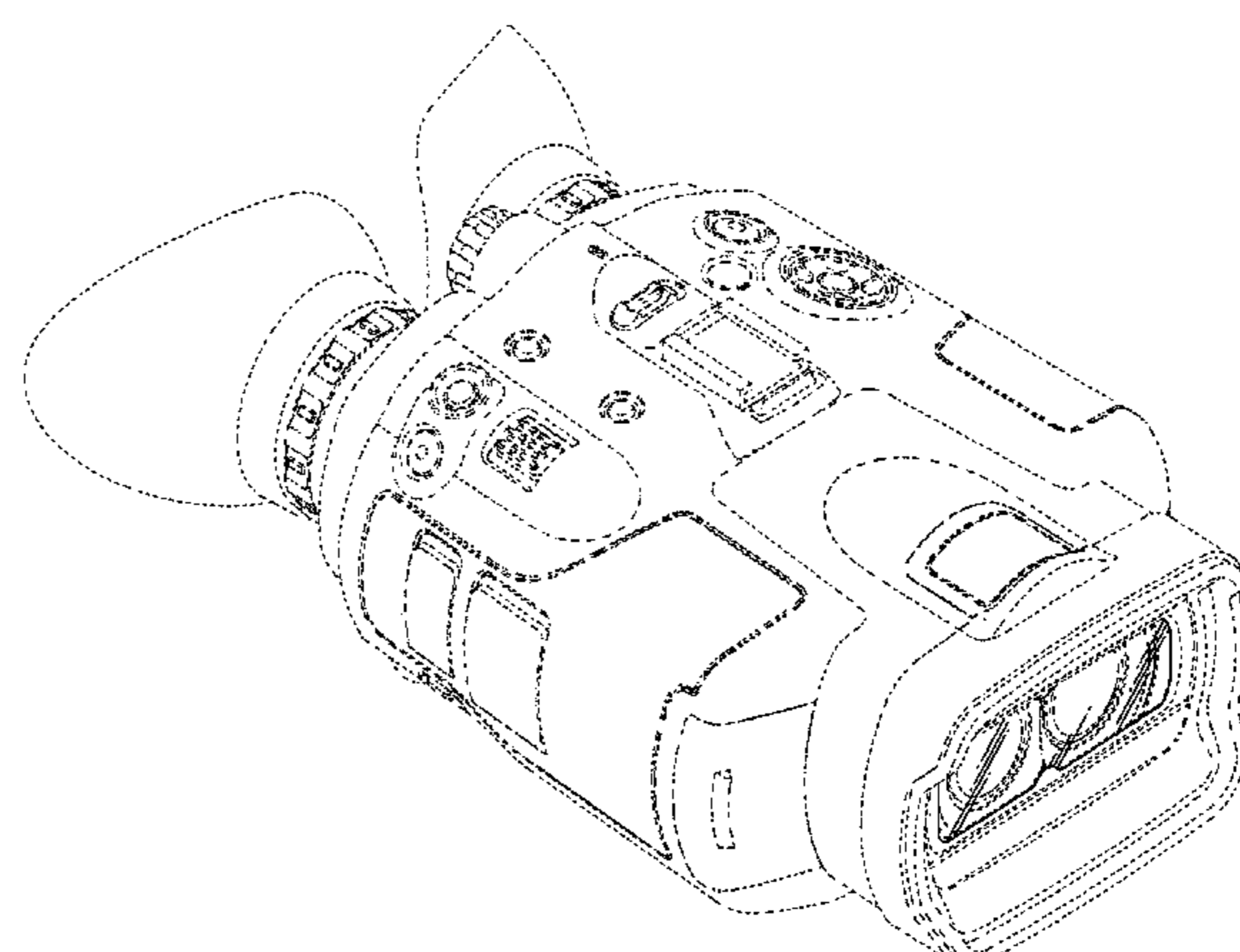
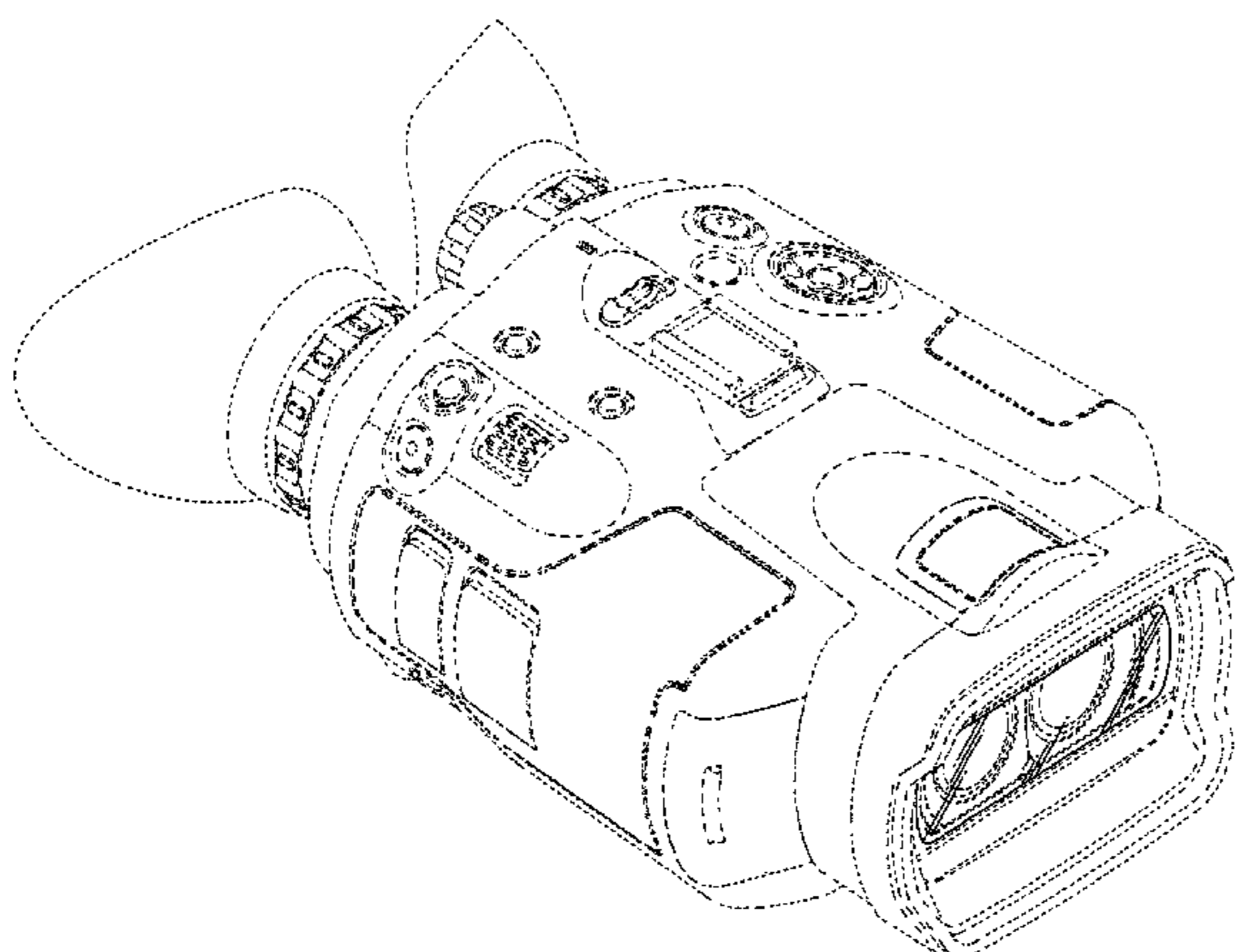
(57) **CLAIM**

The ornamental design for binoculars, as shown and described.

DESCRIPTION

FIG. 1 is a front, top left perspective view of a first embodiment of binoculars showing my new design; FIG. 2 is a rear, bottom, right perspective view thereof; FIG. 3 is a front elevational view thereof; and FIG. 4 is a rear elevational view thereof. FIG. 5 is a front, top left perspective view of a second embodiment of binoculars showing my new design; FIG. 6 is a rear, bottom, right perspective view thereof; FIG. 7 is a front elevational view thereof; and FIG. 8 is a rear elevational view thereof. FIG. 9 is a front, top left perspective view of a third embodiment of binoculars showing my new design; FIG. 10 is a rear, bottom, right perspective view thereof; FIG. 11 is a front elevational view thereof; and, FIG. 12 is a rear elevational view thereof. Portions in broken lines are for illustrative purposes only and form no part of the claimed design.

1 Claim, 9 Drawing Sheets



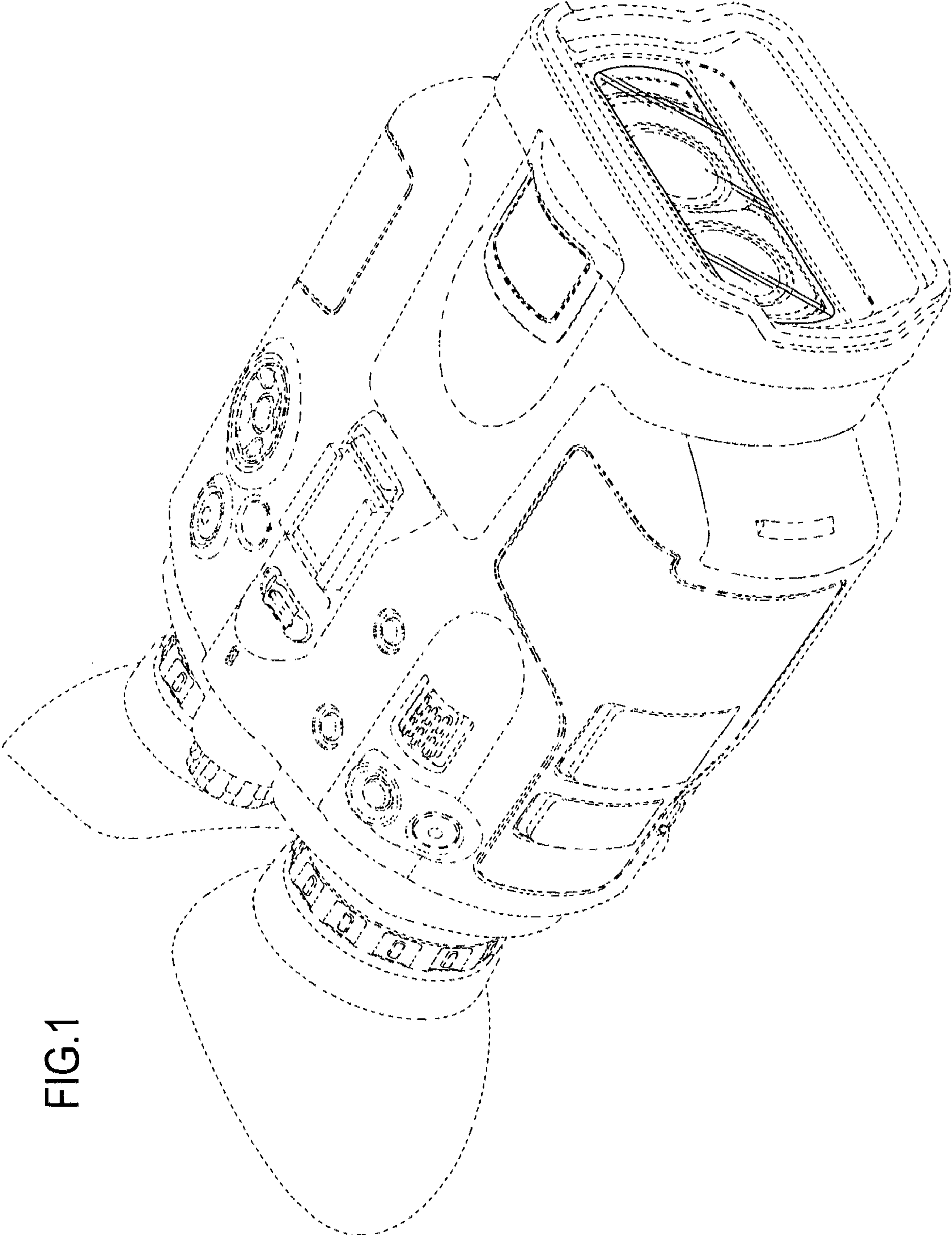


FIG.1

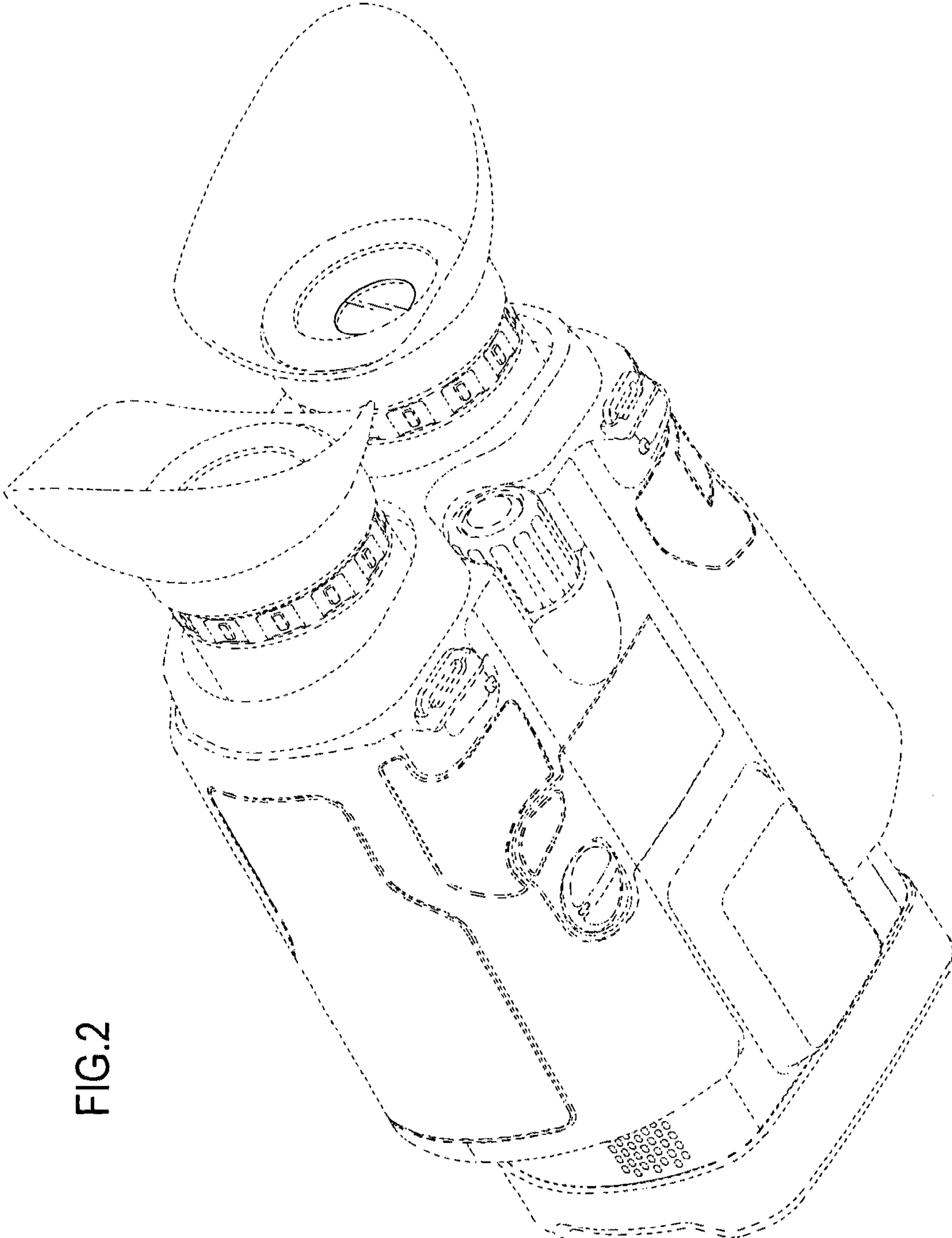


FIG.2

FIG.3

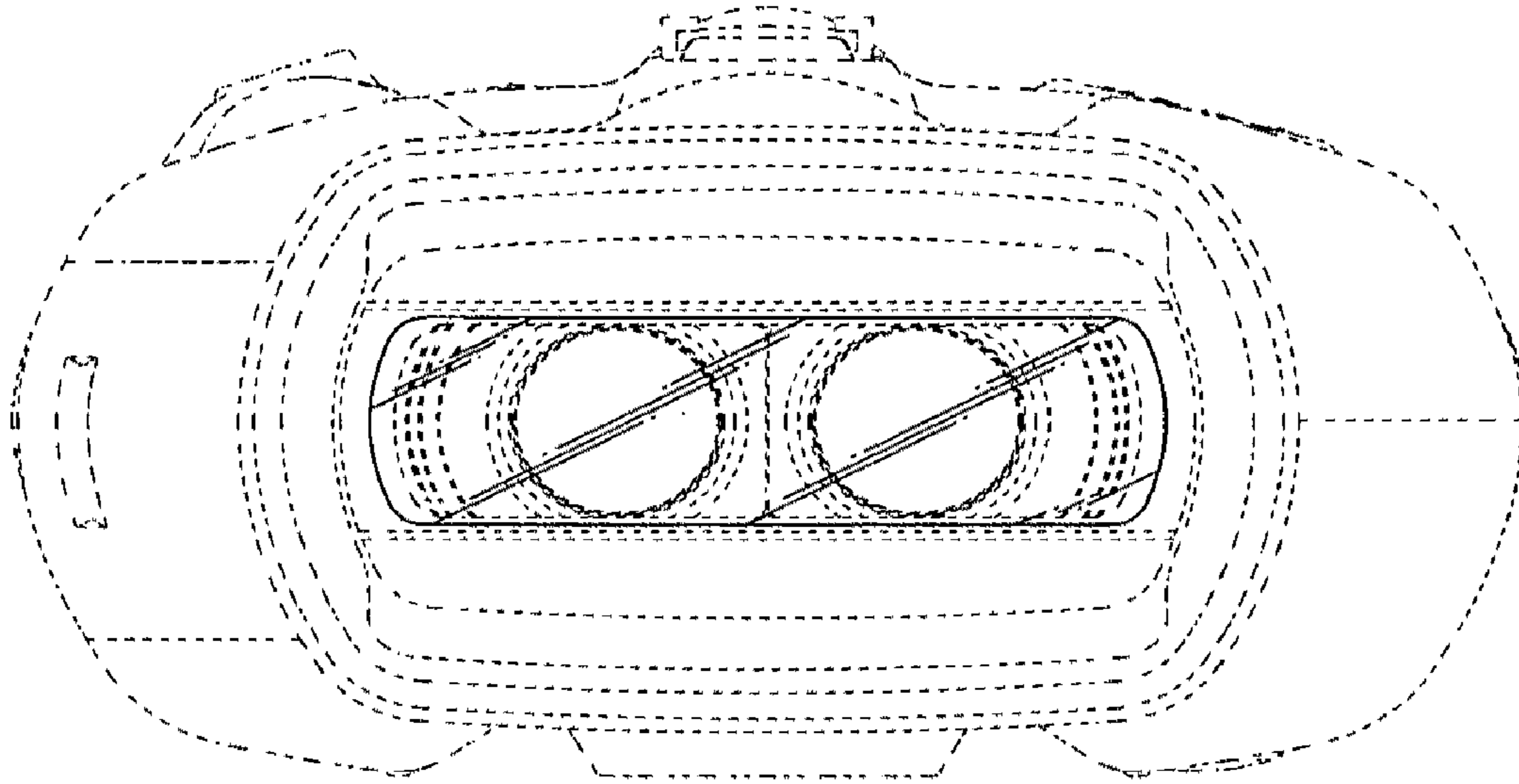
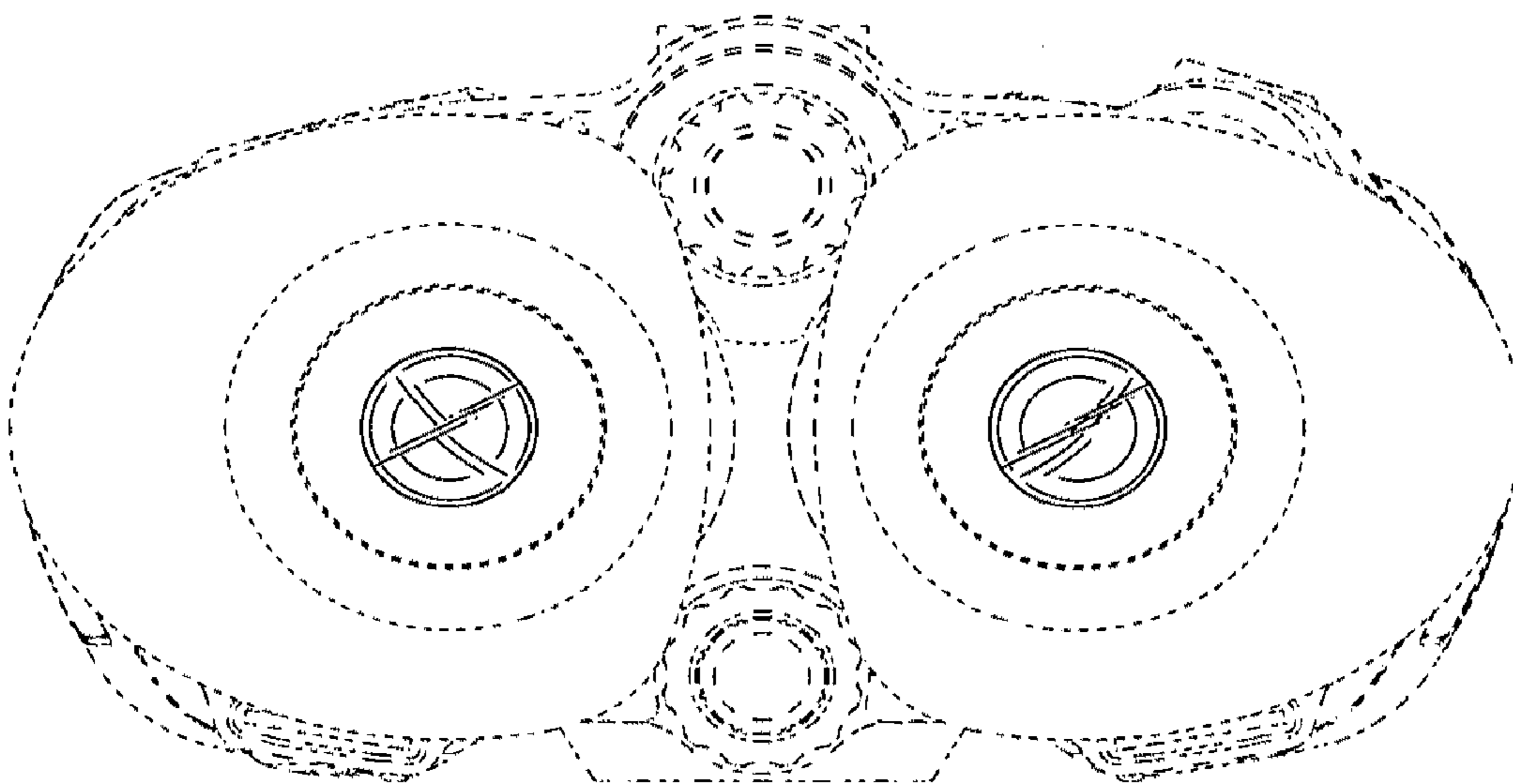


FIG.4



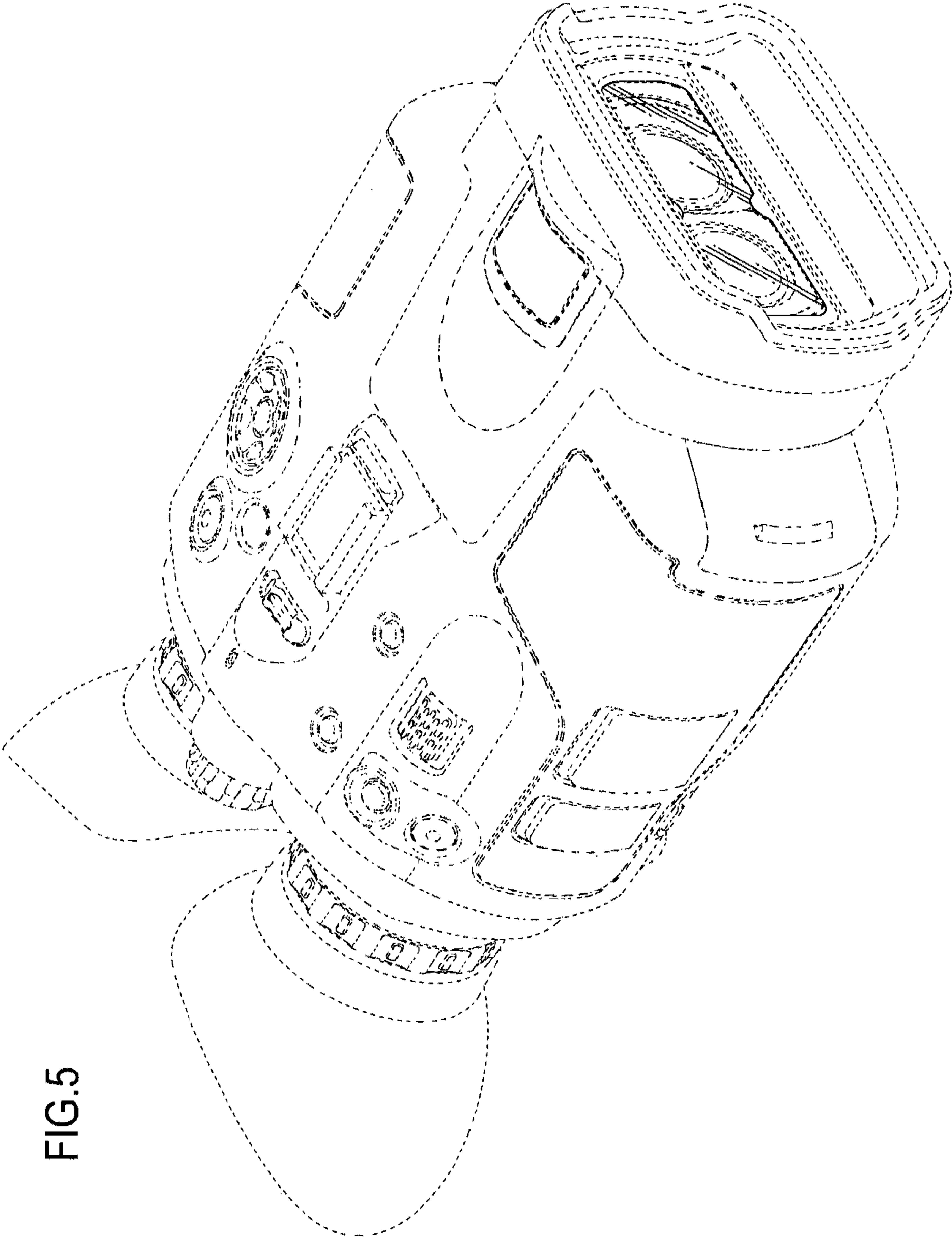


FIG. 5

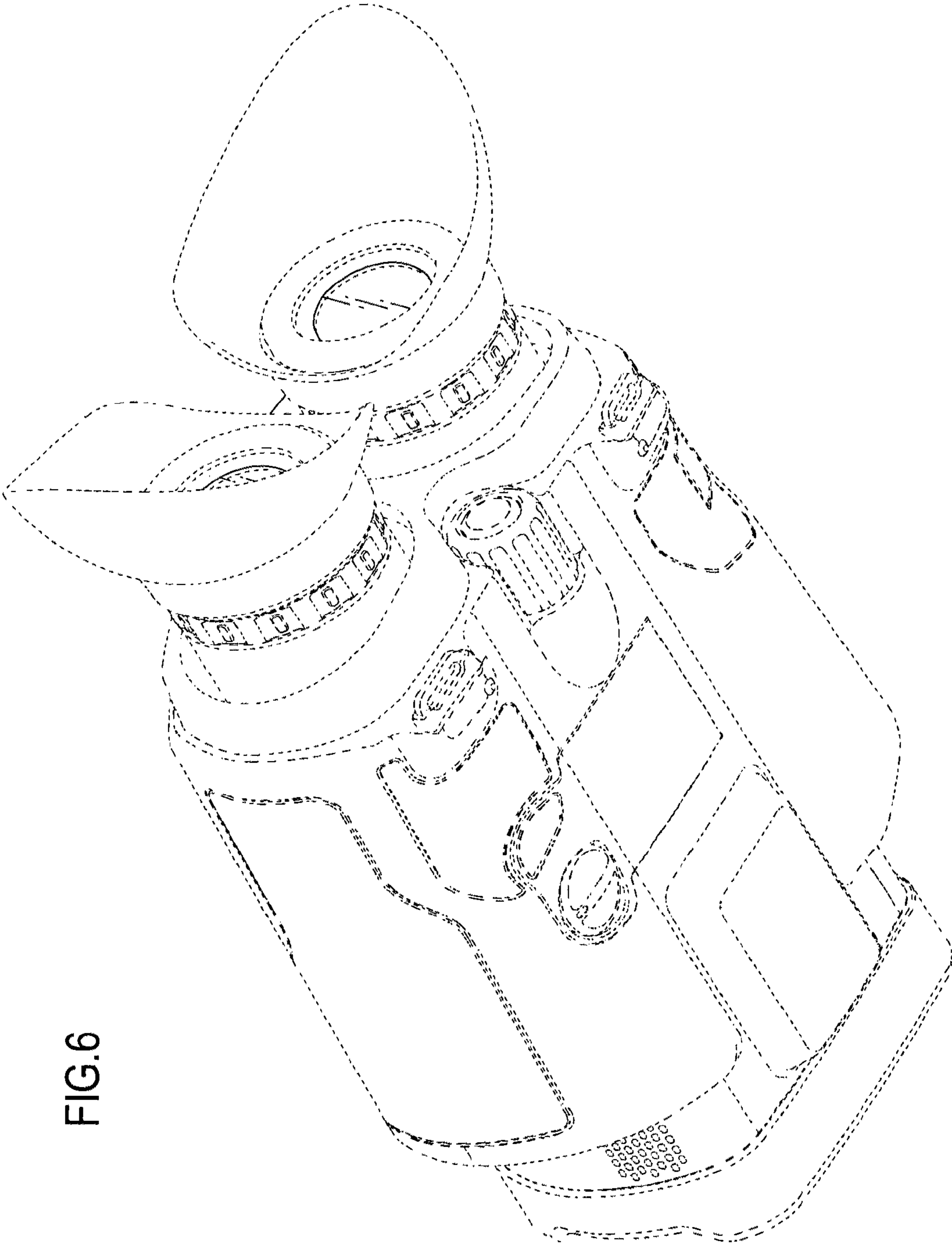


FIG.6

FIG.7

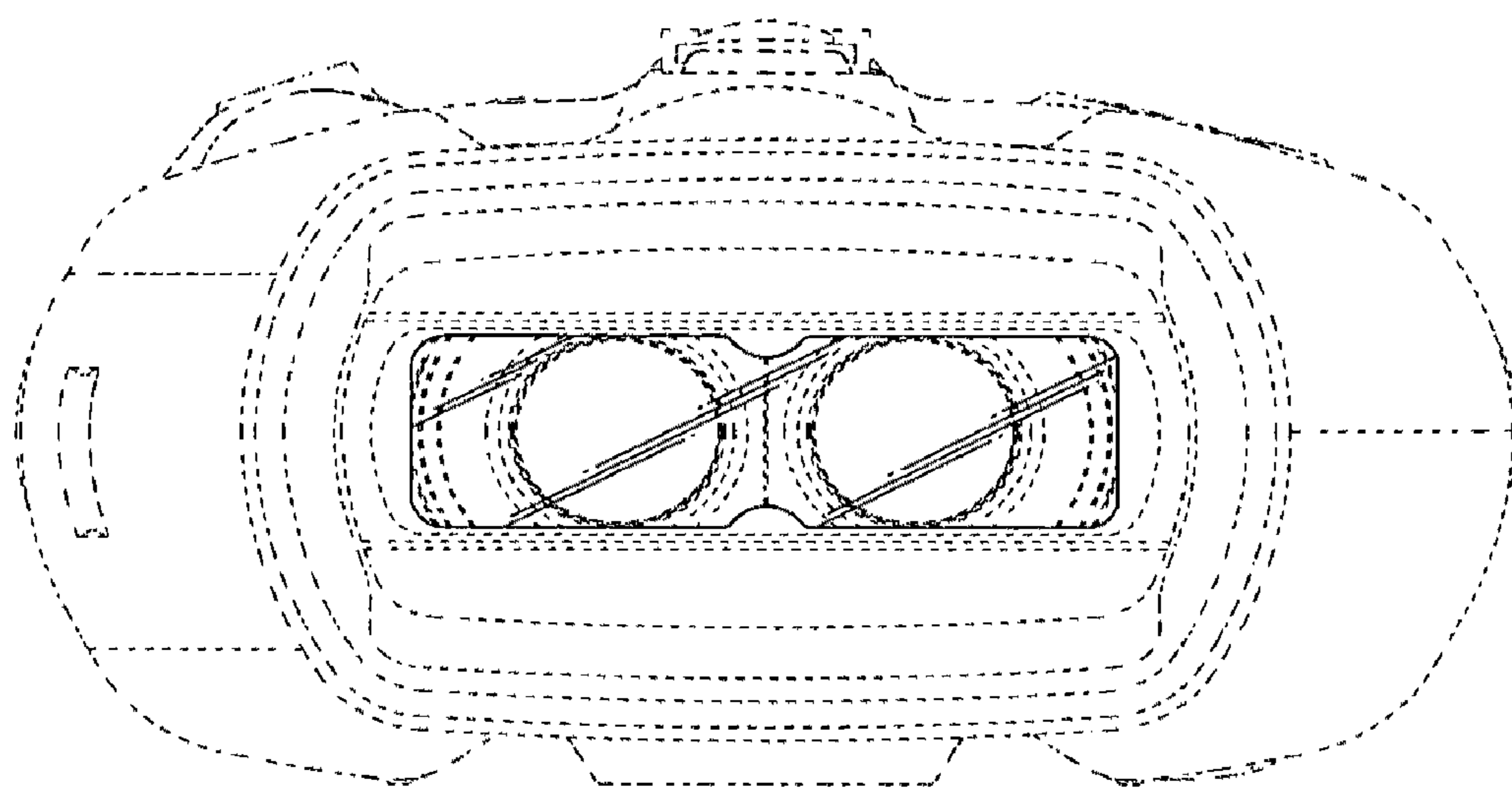
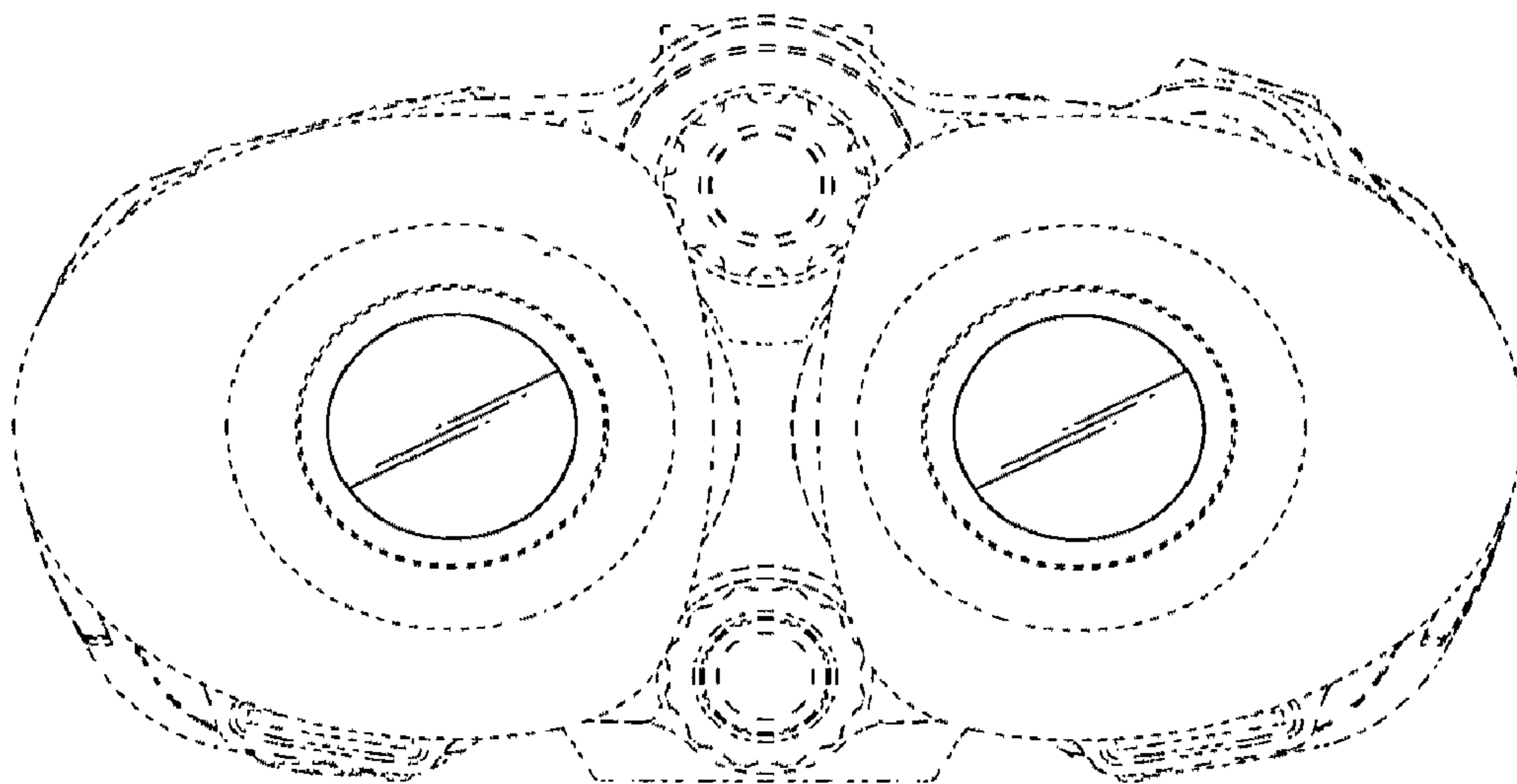


FIG.8



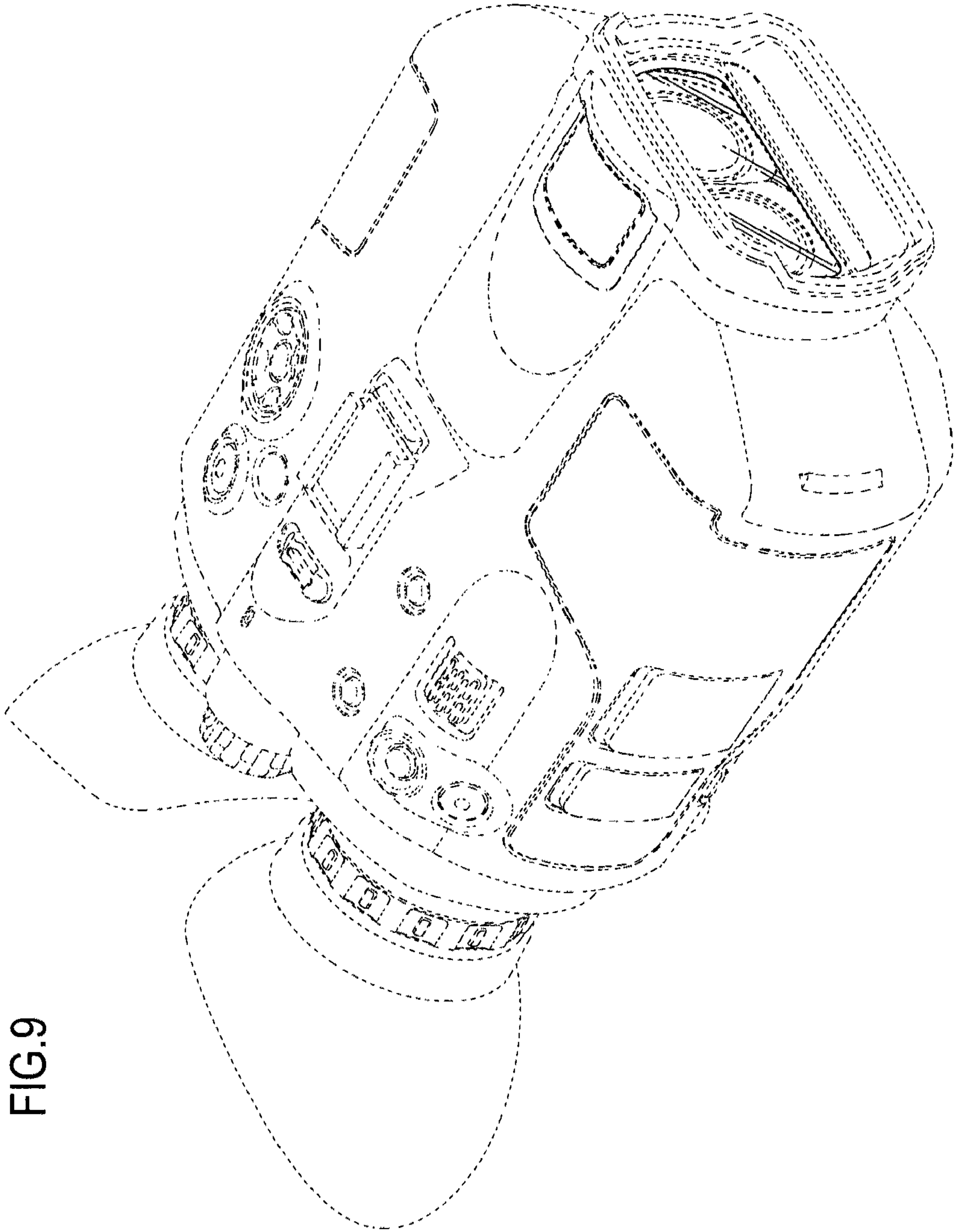


FIG. 9

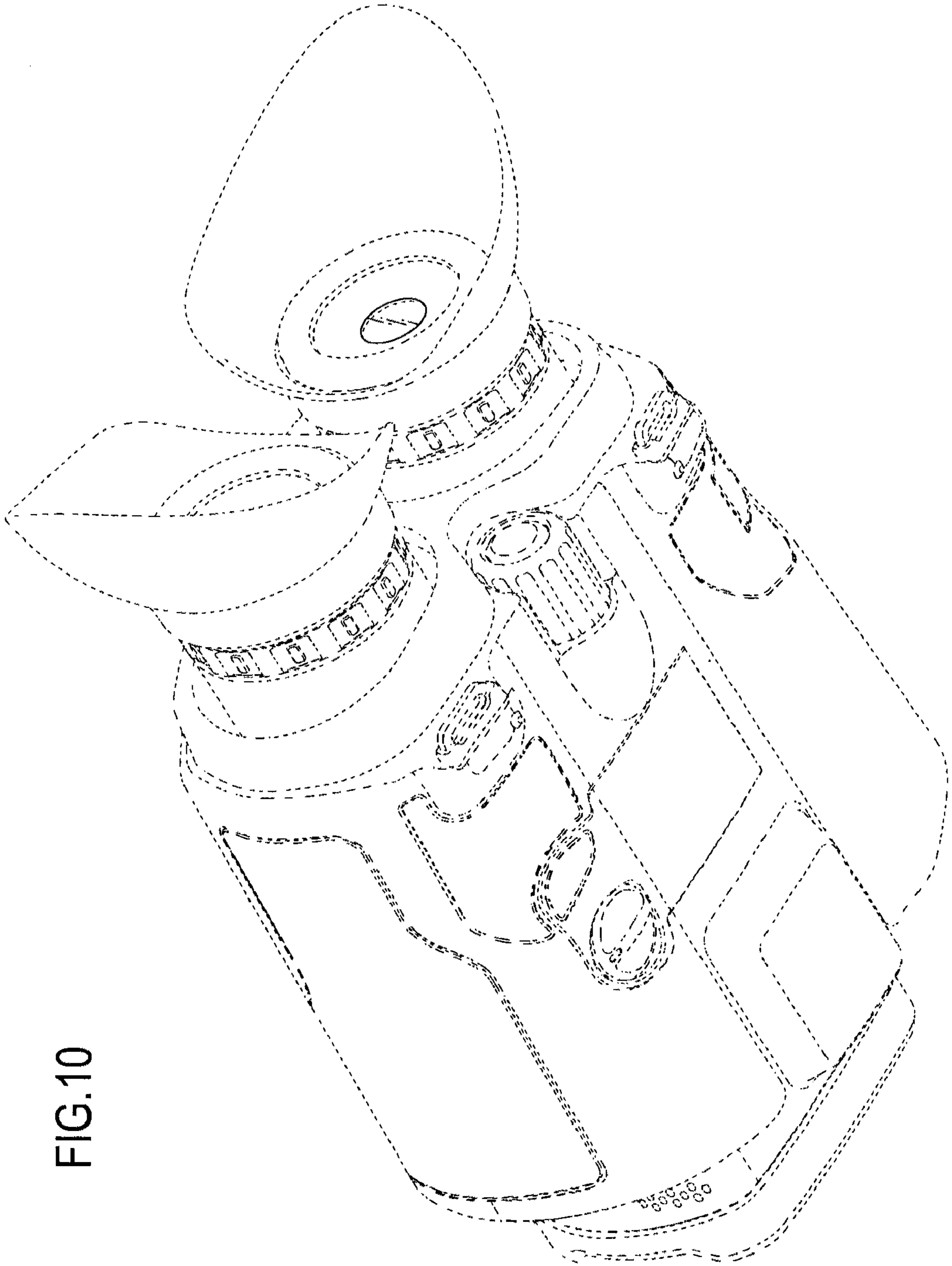


FIG.10

FIG.11

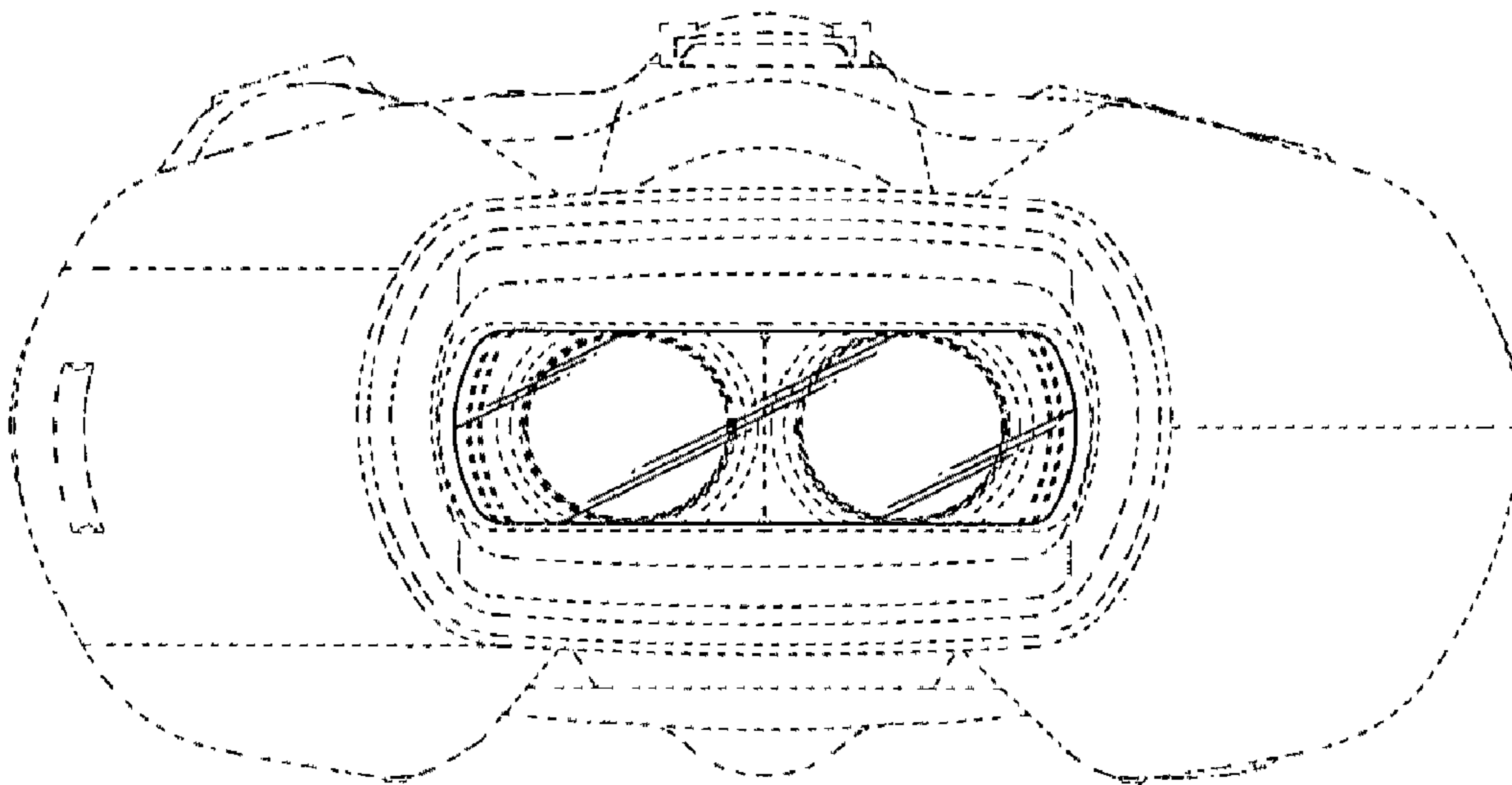


FIG.12

