

US00D669105S

(12) **United States Design Patent**  
**Nikkel et al.**

(10) **Patent No.:** **US D669,105 S**

(45) **Date of Patent:** **\*\* Oct. 16, 2012**

(54) **COUNTER BLADE**

(75) Inventors: **Walter Nikkel**, Curitiba (BR); **Marco Antonio De Souza**, Curitiba (BR)

(73) Assignee: **Blount, Inc.**, Portland, OR (US)

(\*\*) Term: **14 Years**

(21) Appl. No.: **29/376,165**

(22) Filed: **Oct. 1, 2010**

(30) **Foreign Application Priority Data**

Apr. 7, 2010 (BR) ..... DI 7001169-9

(51) **LOC (9) Cl.** ..... **15-09**

(52) **U.S. Cl.** ..... **D15/139**

(58) **Field of Classification Search** ..... D8/20,  
D8/98; D15/127, 139; D32/46; 56/153;  
83/338, 678; 144/172, 174, 176, 373; 241/242,  
241/291; 242/526.1, 533.2, 541  
See application file for complete search history.

(56) **References Cited**

**U.S. PATENT DOCUMENTS**

582,966 A	5/1897	Twiss	
D31,716 S	10/1899	Bolton	
D32,191 S *	2/1900	Fuller	..... D8/98
D85,612 S	11/1931	Gaynor	
D174,375 S	4/1955	Cole	
2,983,057 A	5/1961	Erickson	
D201,710 S	7/1965	Monek	
4,090,674 A *	5/1978	Marshall et al.	..... 241/221
D248,474 S	7/1978	Oosterling	
4,109,380 A	8/1978	Anderson	
D268,641 S	4/1983	Bonforte	
D274,815 S	7/1984	Ehrler	
D280,903 S	10/1985	Barbula	
4,815,264 A	3/1989	Mijnders	

5,236,024 A *	8/1993	Svensson et al.	..... 144/176
5,284,304 A *	2/1994	Biagiotti	..... 242/526.1
D370,489 S	6/1996	Taggett	
D386,655 S	11/1997	Spirer	
D396,174 S	7/1998	Schultz	
D410,309 S	5/1999	Schmidt	
D412,230 S	7/1999	Schmidt	
D448,779 S	10/2001	Neuerburg	

(Continued)

**FOREIGN PATENT DOCUMENTS**

AU 2003204322 A1 1/2004

(Continued)

**OTHER PUBLICATIONS**

Langton, M.I., "Methods and Techniques of Sugarcane Harvesting," School of Bioresources Engineering and Environmental Hydrology, University of KwaZulu-Natal, Pietermaritzburg, South Africa, Apr. 2004.

*Primary Examiner* — Patricia Palasik

(74) *Attorney, Agent, or Firm* — Schwabe Williamson & Wyatt

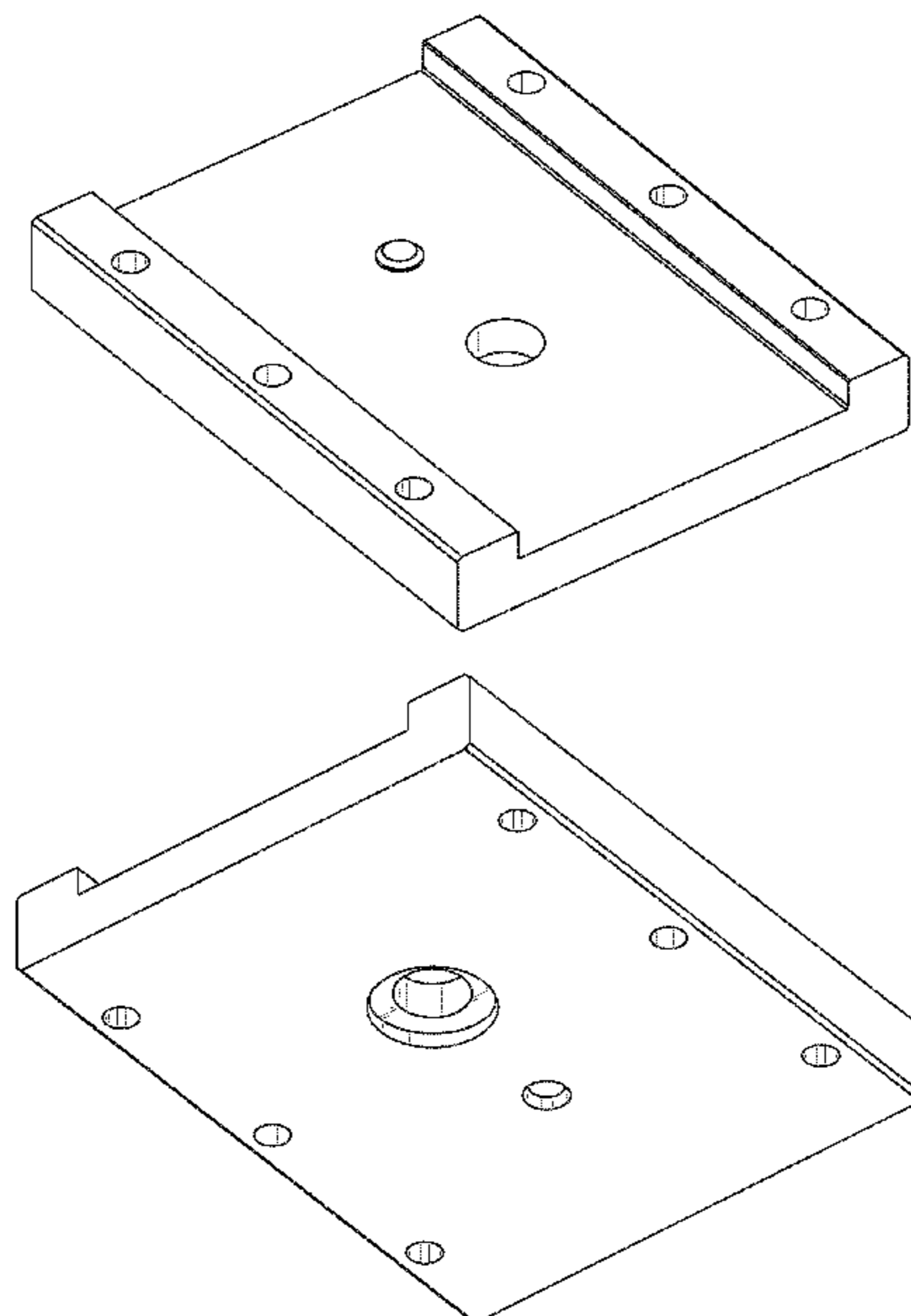
(57) **CLAIM**

The ornamental design for a counter blade, as shown and described.

**DESCRIPTION**

FIG. 1 illustrates a bottom perspective view of the claimed design;  
FIG. 2 illustrates a top perspective view of the claimed design;  
FIG. 3 illustrates a bottom view of the claimed design;  
FIG. 4 illustrates a top view of the claimed design; and,  
FIG. 5 illustrates a front elevational view of the claimed design.

**1 Claim, 5 Drawing Sheets**



# US D669,105 S

Page 2

---

## U.S. PATENT DOCUMENTS

D449,053 S 10/2001 Neuerburg  
D449,314 S 10/2001 Neuerburg  
D449,623 S 10/2001 Neuerburg  
D450,065 S 11/2001 Neuerburg  
D475,575 S 6/2003 Mendenhall  
D562,357 S 2/2008 Hardy  
D566,513 S 4/2008 Marfione  
D633,779 S \* 3/2011 Bennett et al. .... D8/354

D640,289 S 6/2011 Wilhelm  
D645,479 S 9/2011 Ehrhart  
D652,083 S \* 1/2012 Yi et al. .... D20/42  
2010/0281839 A1\* 11/2010 Willibald ..... 56/153

## FOREIGN PATENT DOCUMENTS

GB 1141833 A 2/1969

\* cited by examiner

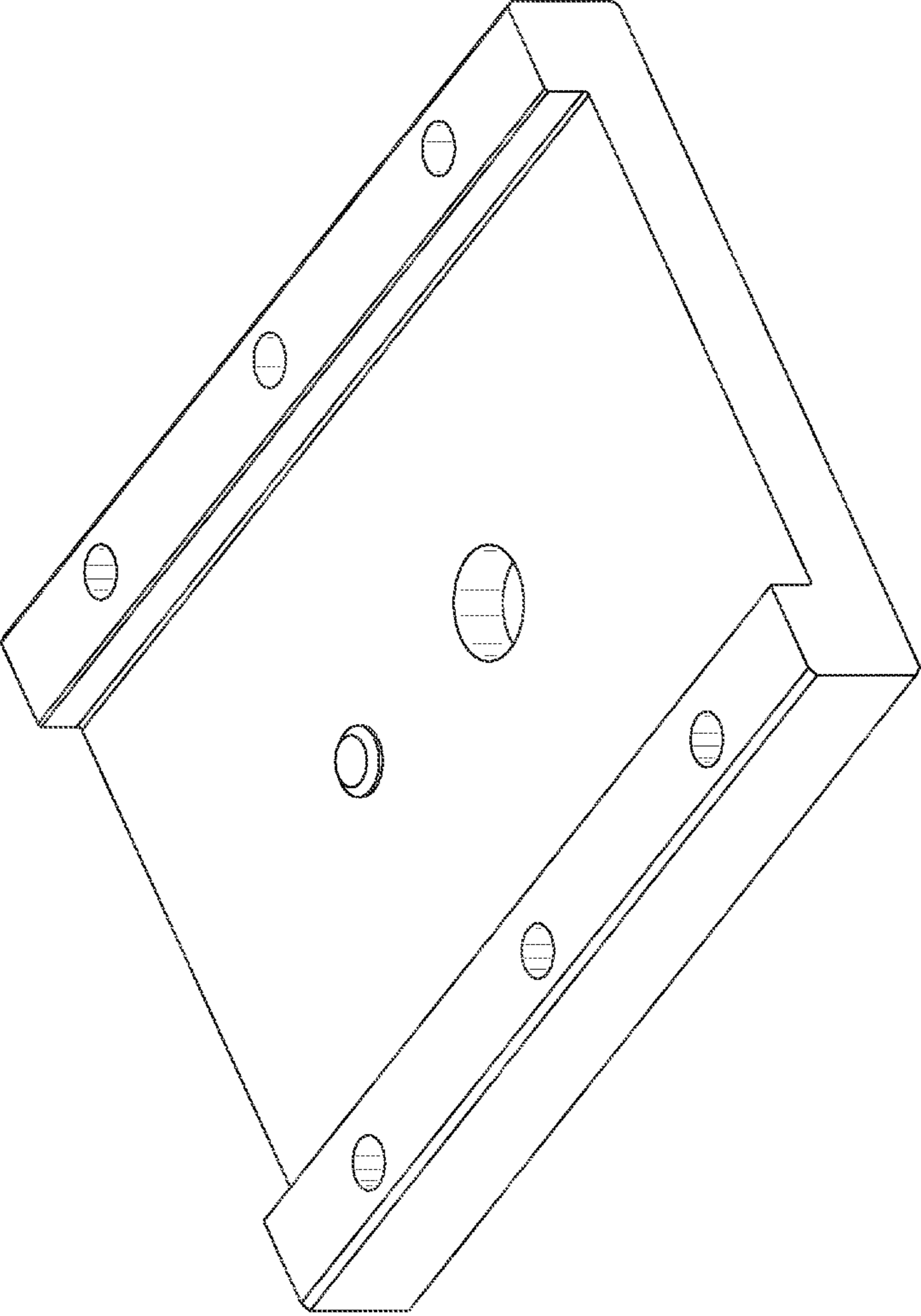


FIG. 1

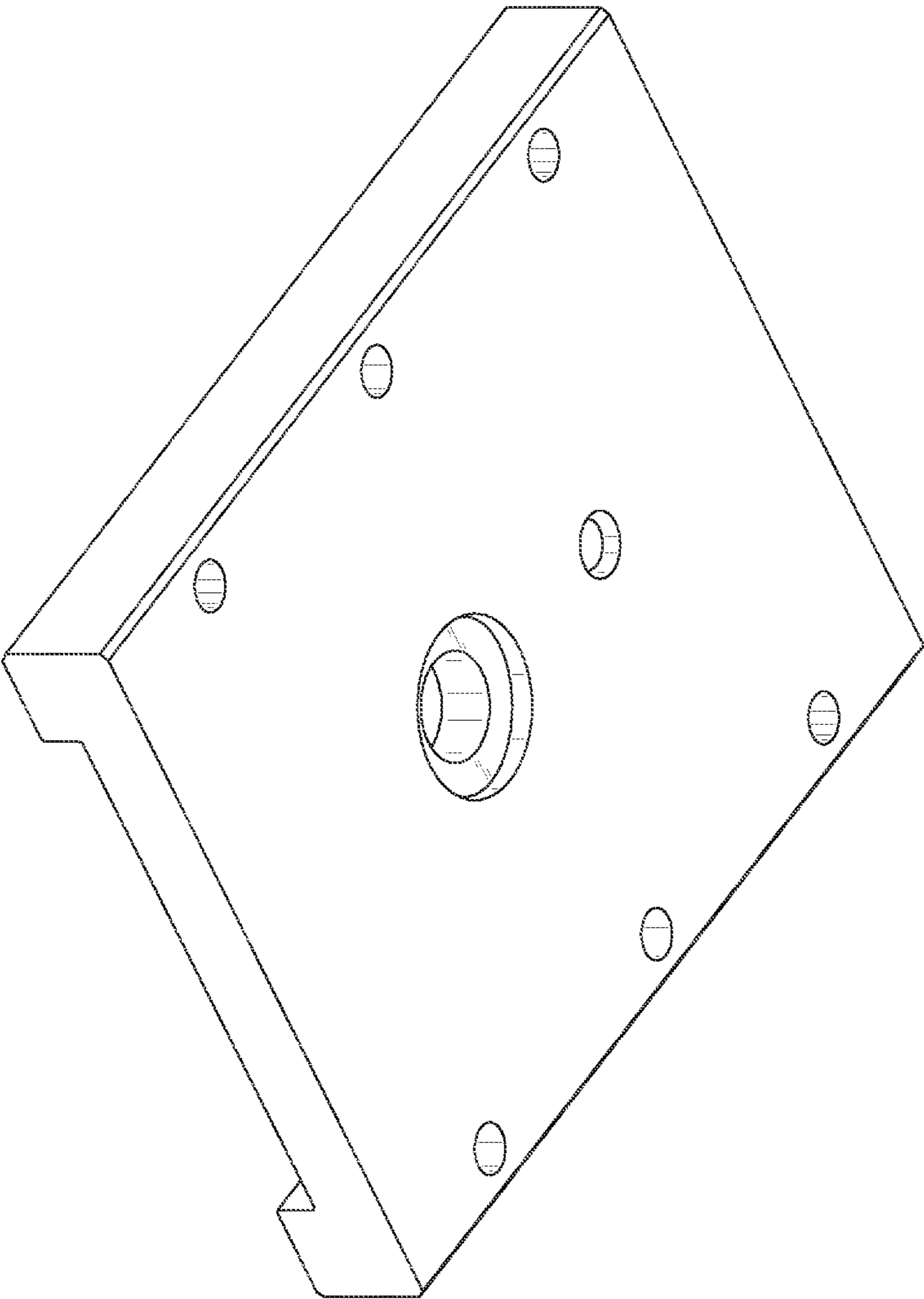


FIG. 2

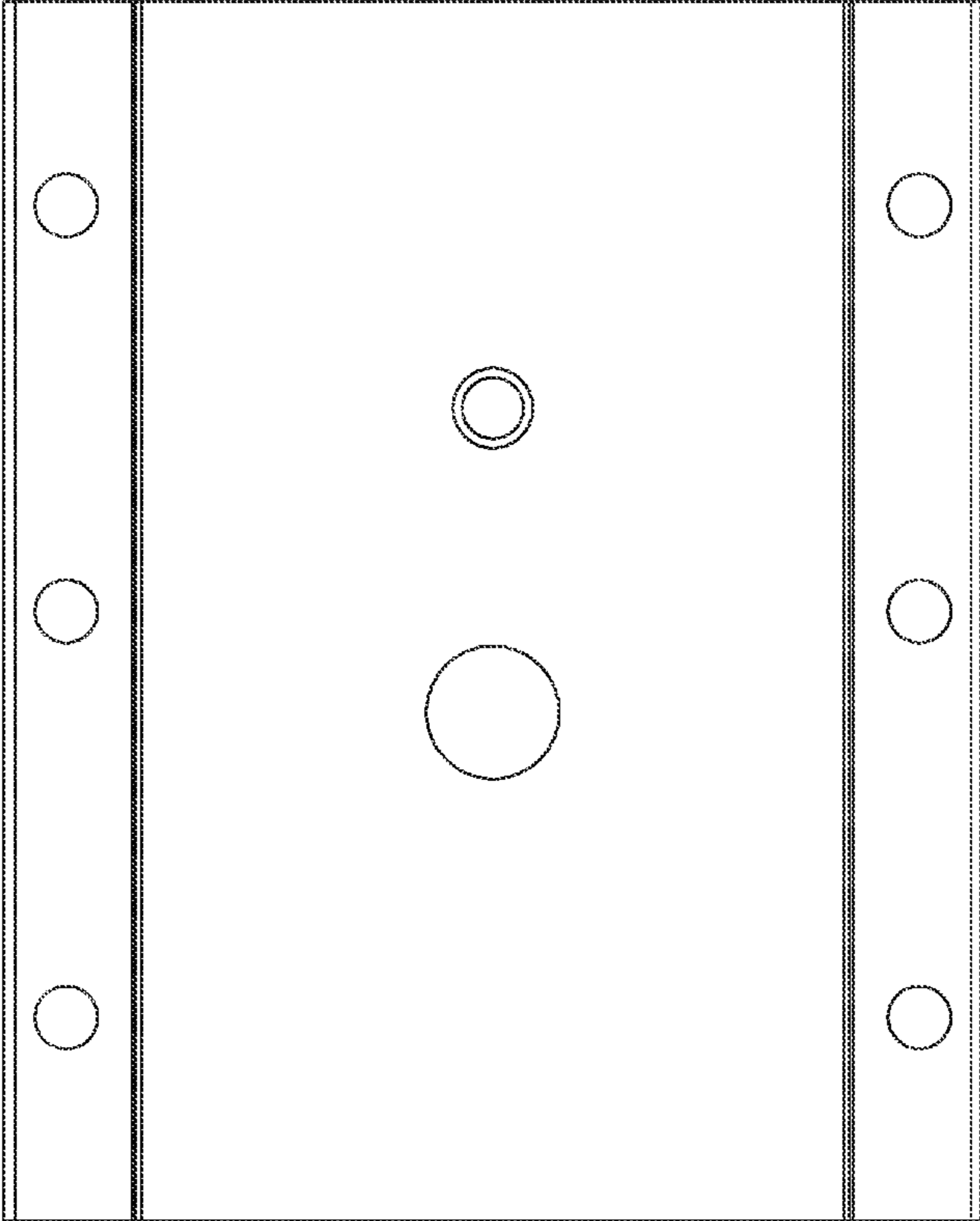


FIG. 3

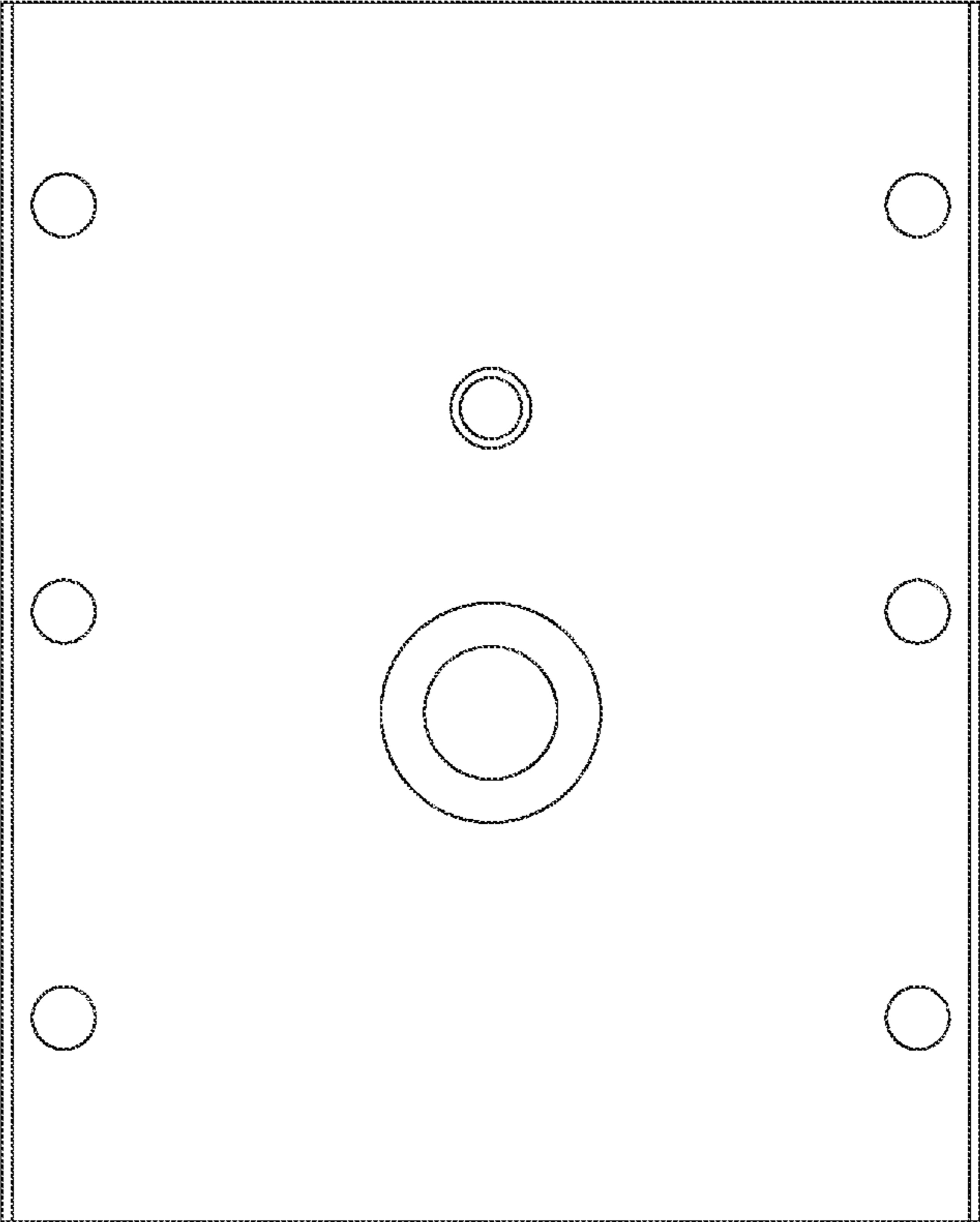


FIG. 4

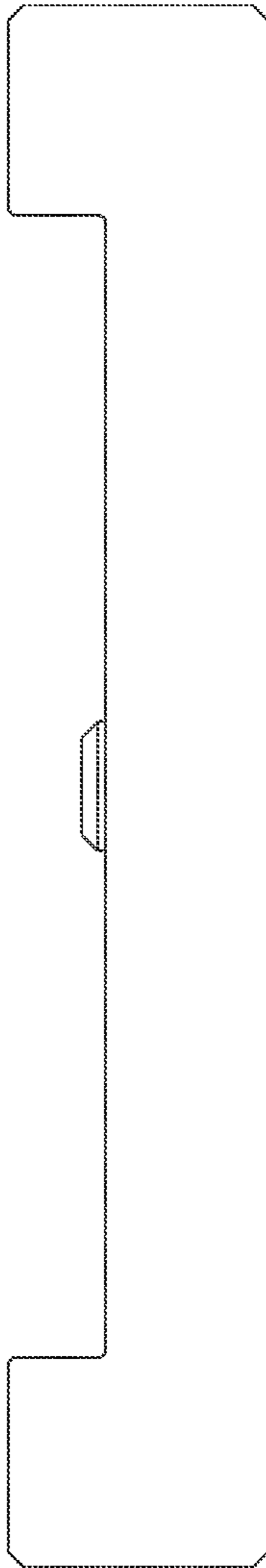


FIG. 5