

US00D669104S

(12) **United States Design Patent**
Michl

(10) **Patent No.:** **US D669,104 S**
(45) **Date of Patent:** **** Oct. 16, 2012**

(54) **MACHINE**

(75) Inventor: **Manfred Michl**, Altenbamberg (DE)

(73) Assignee: **KHS GmbH**, Dortmund (DE)

(**) Term: **14 Years**

(21) Appl. No.: **29/349,050**

(22) Filed: **Mar. 4, 2010**

(30) **Foreign Application Priority Data**

Sep. 4, 2009 (DE) 40 2009 004 212

(51) **LOC (9) Cl.** **15-09**

(52) **U.S. Cl.** **D15/122**

(58) **Field of Classification Search** D15/122,
D15/124, 127, 128, 130, 131; 29/26 R, 30,
29/33 A-33 T, 34 R, 39, 50, 563-566, 564.1-564.8;
483/17-57

See application file for complete search history.

(56) **References Cited**

U.S. PATENT DOCUMENTS

D245,007 S * 7/1977 Cunningham D15/122
D388,103 S * 12/1997 Gotou et al. D15/127

D424,583 S * 5/2000 Mizukami D15/122
D489,077 S * 4/2004 Bloch D15/127
D567,263 S * 4/2008 Sugihara et al. D15/122
7,419,460 B2 * 9/2008 Bonfert et al. 483/14
D578,144 S * 10/2008 Arisue et al. D15/122
D614,211 S * 4/2010 De Vries et al. D15/122
D627,375 S * 11/2010 Jacquet et al. D15/122
D635,595 S * 4/2011 Hiroshima et al. D15/122
D635,596 S * 4/2011 Hiroshima et al. D15/122
D637,631 S * 5/2011 Hiroshima et al. D15/122
2004/0162201 A1 * 8/2004 Ferrari et al. 483/49

* cited by examiner

Primary Examiner — Patricia Palasik

(74) *Attorney, Agent, or Firm* — Collard & Roe, P.C.

(57) **CLAIM**

The ornamental design for a machine, as shown and described.

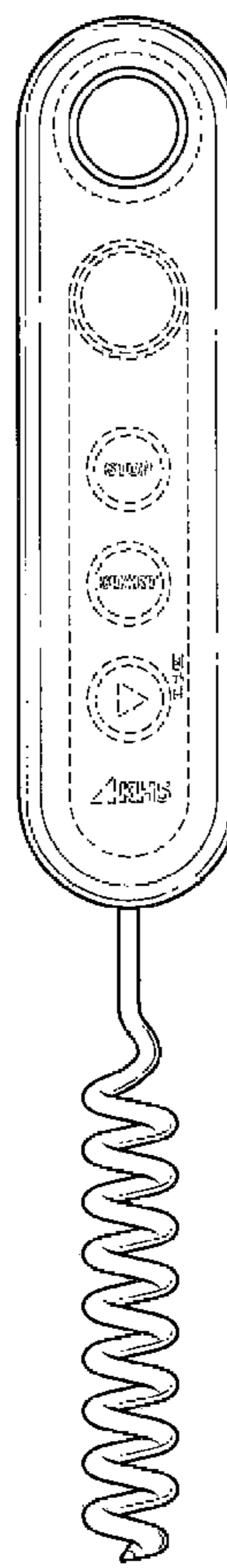
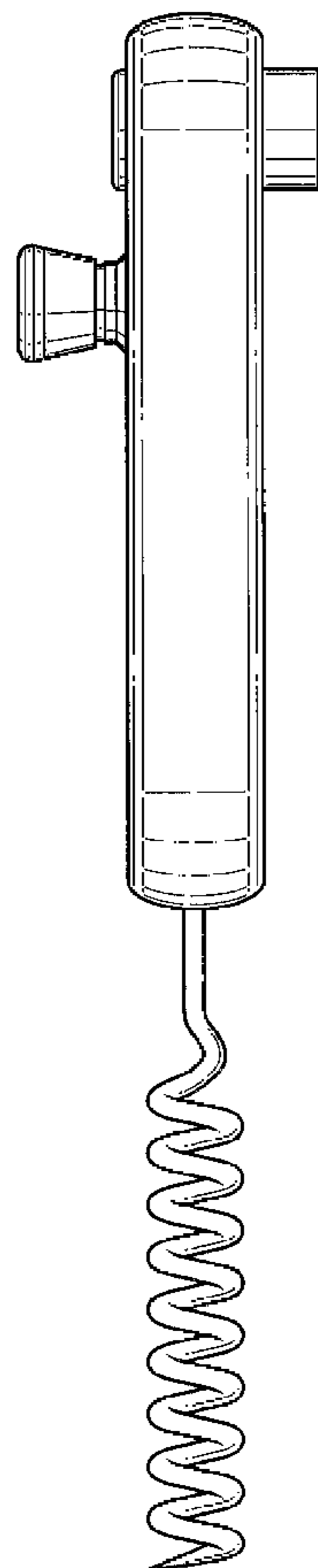
DESCRIPTION

FIG. 1 is a side view of a machine showing my new design; and,

FIG. 2 is a front view thereof.

The rear view is not shown and forms no part of the claimed design.

1 Claim, 1 Drawing Sheet



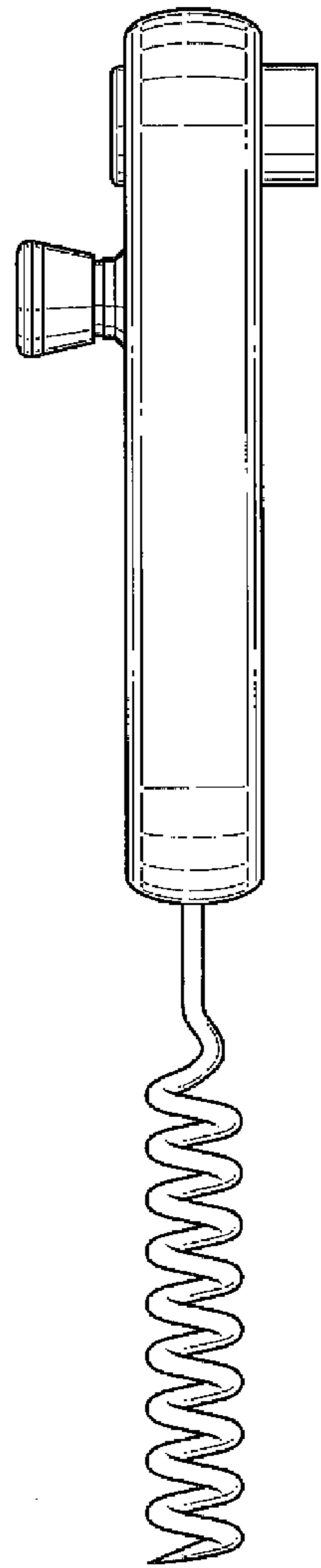


FIG. 1

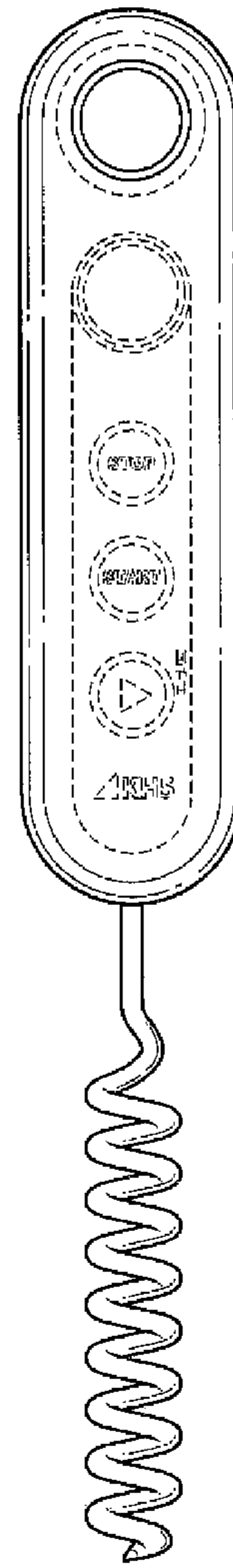


FIG. 2