



US00D669103S

(12) **United States Design Patent**  
**Behr**

(10) **Patent No.:** **US D669,103 S**  
(45) **Date of Patent:** **\*\* Oct. 16, 2012**

(54) **DOORS FOR A REFRIGERATED SALES COUNTER**

(75) Inventor: **Kristian Ib Schmidt Behr**, Hadsten (DK)

(73) Assignee: **Behr A/S** (DK)

(\*\*) Term: **14 Years**

(21) Appl. No.: **29/382,968**

(22) Filed: **Jan. 10, 2011**

(30) **Foreign Application Priority Data**

Jul. 9, 2010 (EM) ..... 001729823-0011  
Jul. 9, 2010 (EM) ..... 001729823-0012  
Jul. 9, 2010 (EM) ..... 001729823-0014  
Jul. 9, 2010 (EM) ..... 001729823-0015

(51) **LOC (9) Cl.** ..... **15-07**

(52) **U.S. Cl.** ..... **D15/91**

(58) **Field of Classification Search** ..... D15/79,  
D15/81-89, 91; D6/470-472; 4/607, 605,  
4/614; 312/138.1, 116, 198, 400-405.1;  
62/246, 248, 251, 275, 440-449; 49/371

See application file for complete search history.

(56) **References Cited**

U.S. PATENT DOCUMENTS

4,940,297 A \* 7/1990 Borgen ..... 312/138.1  
D421,534 S \* 3/2000 Trulaske et al. .... D6/472  
D443,625 S \* 6/2001 Vazquez ..... D15/86  
D471,568 S \* 3/2003 Smith et al. .... D15/85  
6,618,871 B2 \* 9/2003 Kopacz et al. .... 4/607  
D544,000 S \* 6/2007 Ohtake ..... D15/81

\* cited by examiner

*Primary Examiner* — Mitchell Siegel

(74) *Attorney, Agent, or Firm* — Dykema Gossett PLLC

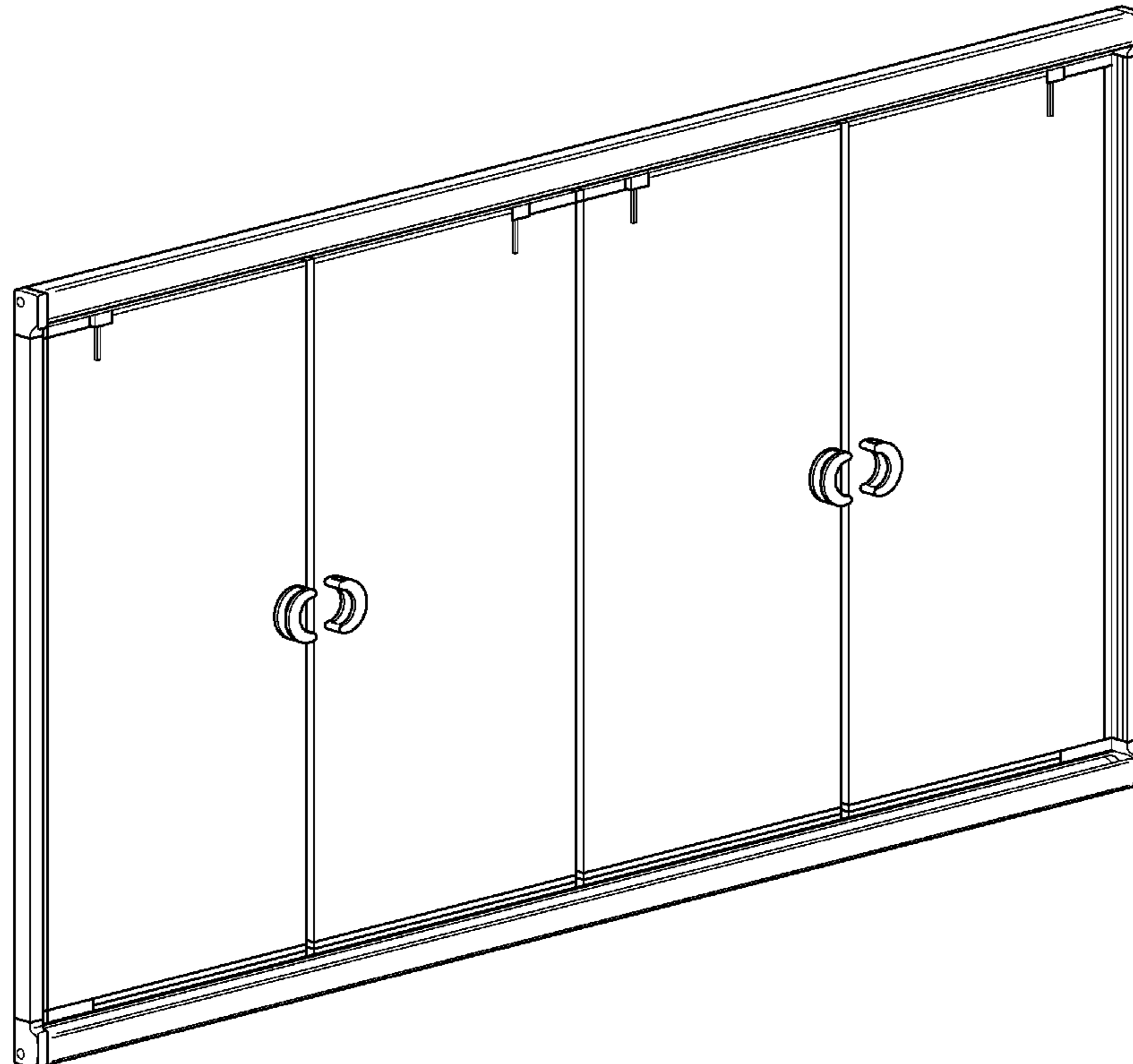
(57) **CLAIM**

The ornamental design for doors for a refrigerated sales counter, as shown and described.

**DESCRIPTION**

FIG. 1 is a front elevational view for doors for a refrigerated sales counter showing my new design;  
FIG. 2 is a rear elevational view thereof;  
FIG. 3 is a top plan view thereof;  
FIG. 4 is a bottom plan view thereof;  
FIG. 5 is a left side elevational view thereof;  
FIG. 6 is a right side elevational view thereof; and,  
FIG. 7 is a perspective view thereof.

**1 Claim, 4 Drawing Sheets**



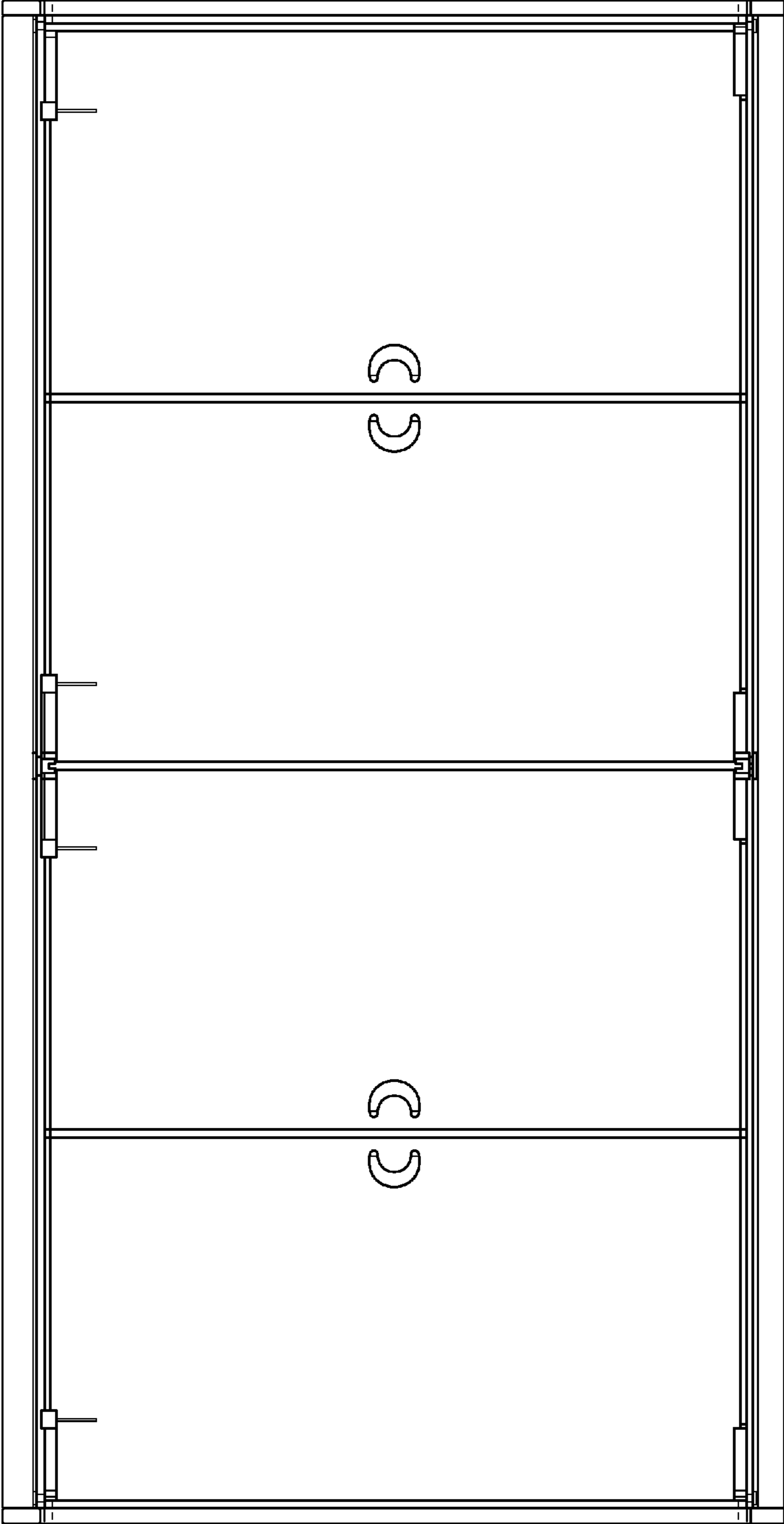


Fig. 1

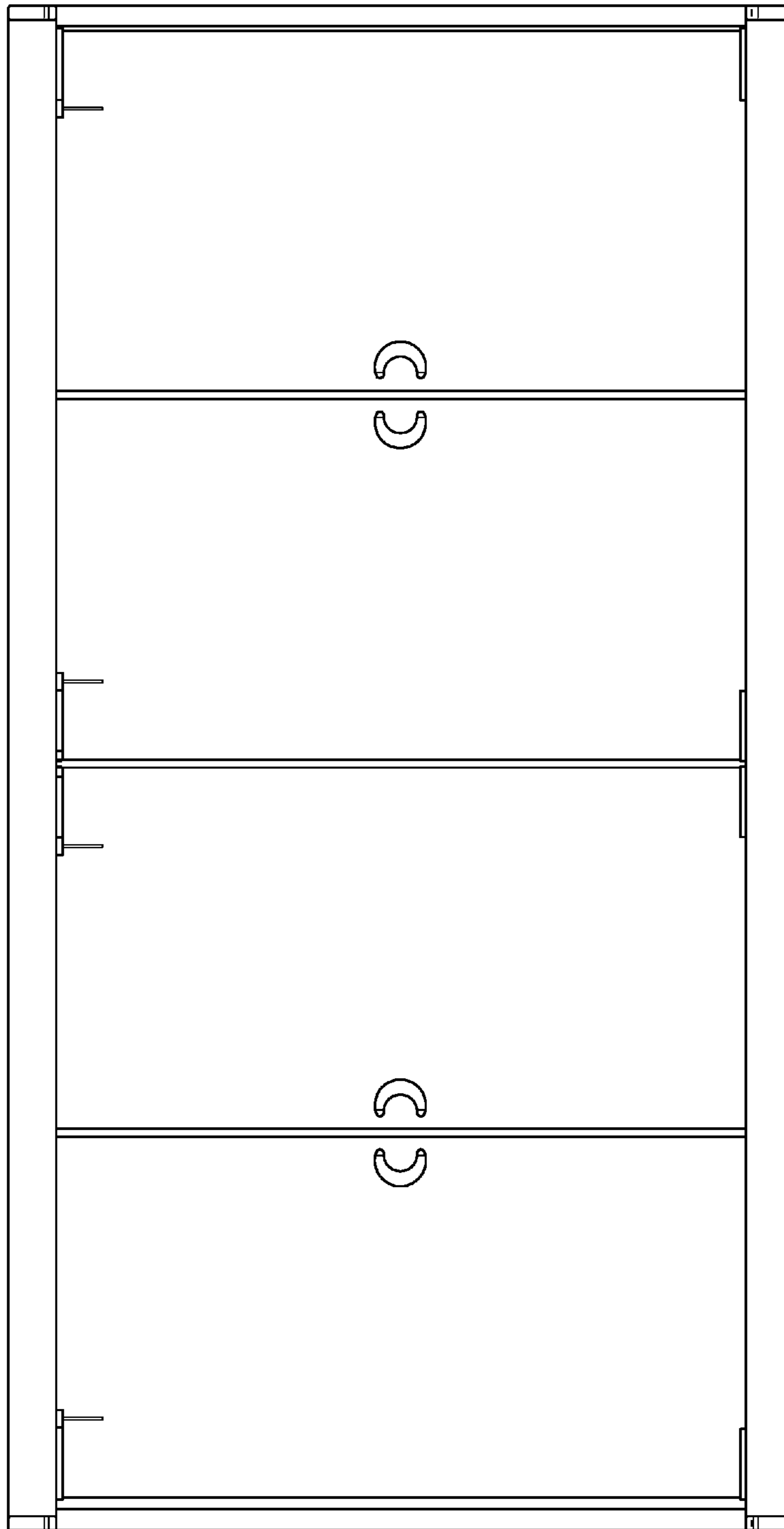


Fig. 2

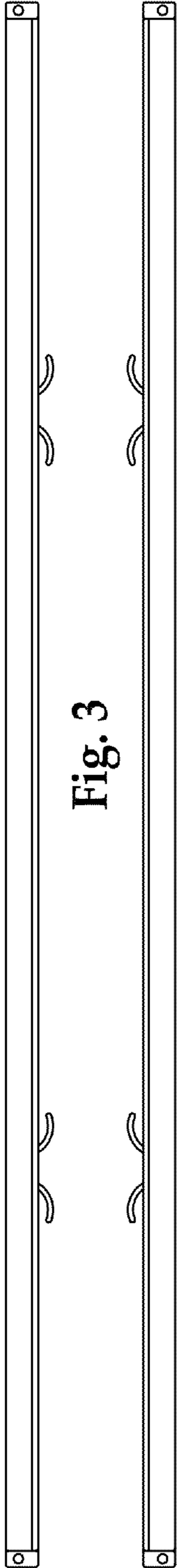


Fig. 3

Fig. 4



Fig. 5

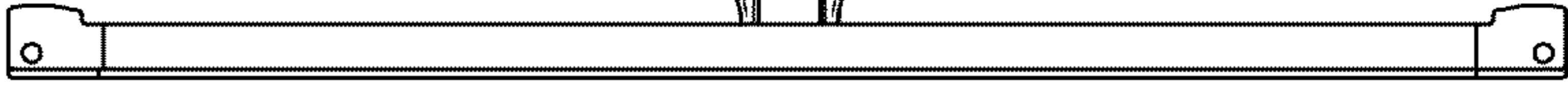


Fig. 6

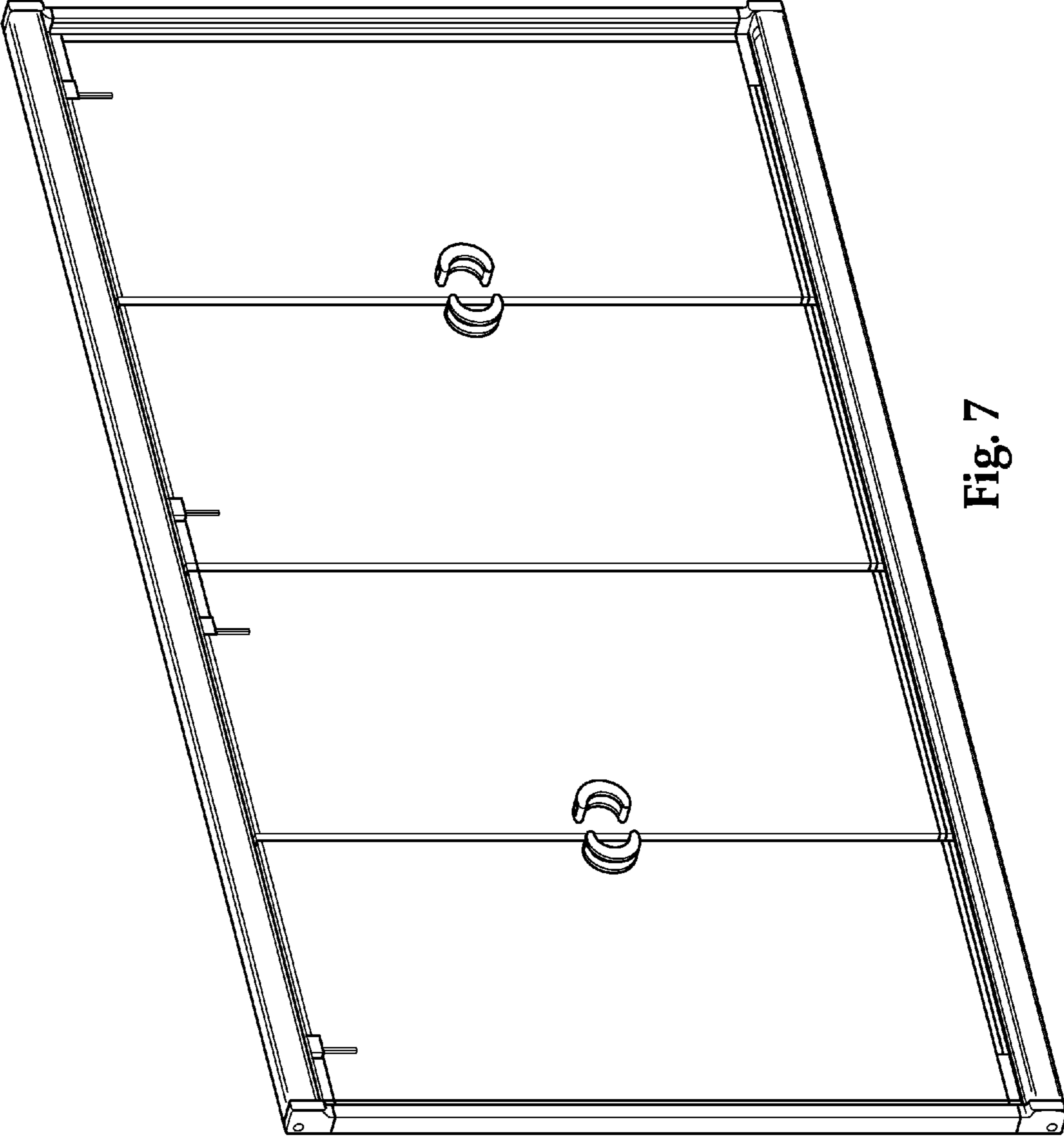


Fig. 7