

US00D669102S

(12) **United States Design Patent**
Seo et al.

(10) **Patent No.:** **US D669,102 S**
(45) **Date of Patent:** **** Oct. 16, 2012**

(54) **ICE CASE FOR REFRIGERATOR**
(75) Inventors: **Woonkyu Seo**, Seoul (KR); **Daesung Lee**, Gyeonggi-do (KR); **Youngsoo Ha**, Seoul (KR); **Sunil Cho**, Gyeonggi-do (KR)

(73) Assignee: **LG Electronics Inc.**, Seoul (KR)

(**) Term: **14 Years**

(21) Appl. No.: **29/401,583**

(22) Filed: **Sep. 13, 2011**

(30) **Foreign Application Priority Data**

Mar. 17, 2011 (KR) 30-2011-0010790

(51) **LOC (9) Cl.** **15-07**

(52) **U.S. Cl.** **D15/90**

(58) **Field of Classification Search** D15/89,
D15/90; 249/119-129, 132

See application file for complete search history.

(56) **References Cited**

U.S. PATENT DOCUMENTS

3,306,567	A *	2/1967	Frei, Sr.	249/126
D224,087	S *	7/1972	Matsumoto	D15/90
4,432,529	A *	2/1984	McMillan	249/126
D281,882	S *	12/1985	Prommer	D15/90
4,804,083	A *	2/1989	Weeks	249/119

4,813,646	A *	3/1989	Fujio	249/127
4,883,251	A *	11/1989	Manas	249/121
D352,045	S *	11/1994	Daenen et al.	D15/90
5,397,097	A *	3/1995	Dale	249/121
D360,532	S *	7/1995	Suneborn	D15/90
D552,634	S *	10/2007	Janiszewski	D15/90
D552,635	S *	10/2007	Janiszewski	D15/90
D559,870	S *	1/2008	Conlon et al.	D15/90

* cited by examiner

Primary Examiner — Mitchell Siegel

(74) *Attorney, Agent, or Firm* — Morgan, Lewis & Bockius LLP

(57) **CLAIM**

The ornamental design for a ice case for refrigerator, as shown and described.

DESCRIPTION

FIG. 1 is a perspective view of a ice case for refrigerator showing our new design;

FIG. 2 is a front view thereof where the rear view is a mirror image;

FIG. 3 is a left side view thereof;

FIG. 4 is a right side view thereof;

FIG. 5 is a top plan view thereof;

FIG. 6 is a bottom plan view thereof;

FIG. 7 is a bottom perspective view thereof; and,

FIG. 8 is a perspective view thereof with the lid being shown in an alternate position; the broken line showing of the fragmented bottle and pouring liquid is included for the purpose of illustrating and forms no part of the claimed design.

1 Claim, 6 Drawing Sheets

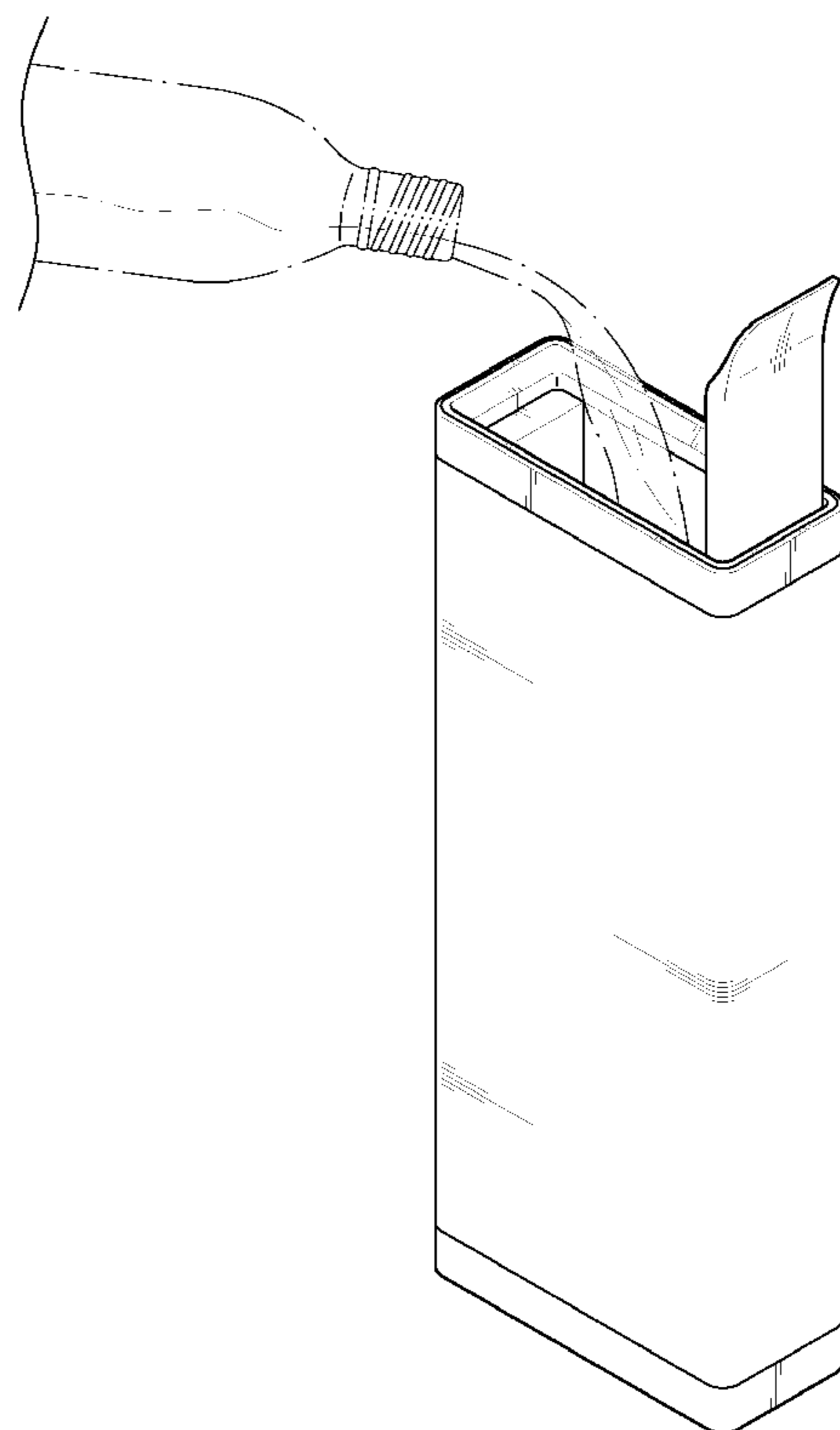


FIG. 1

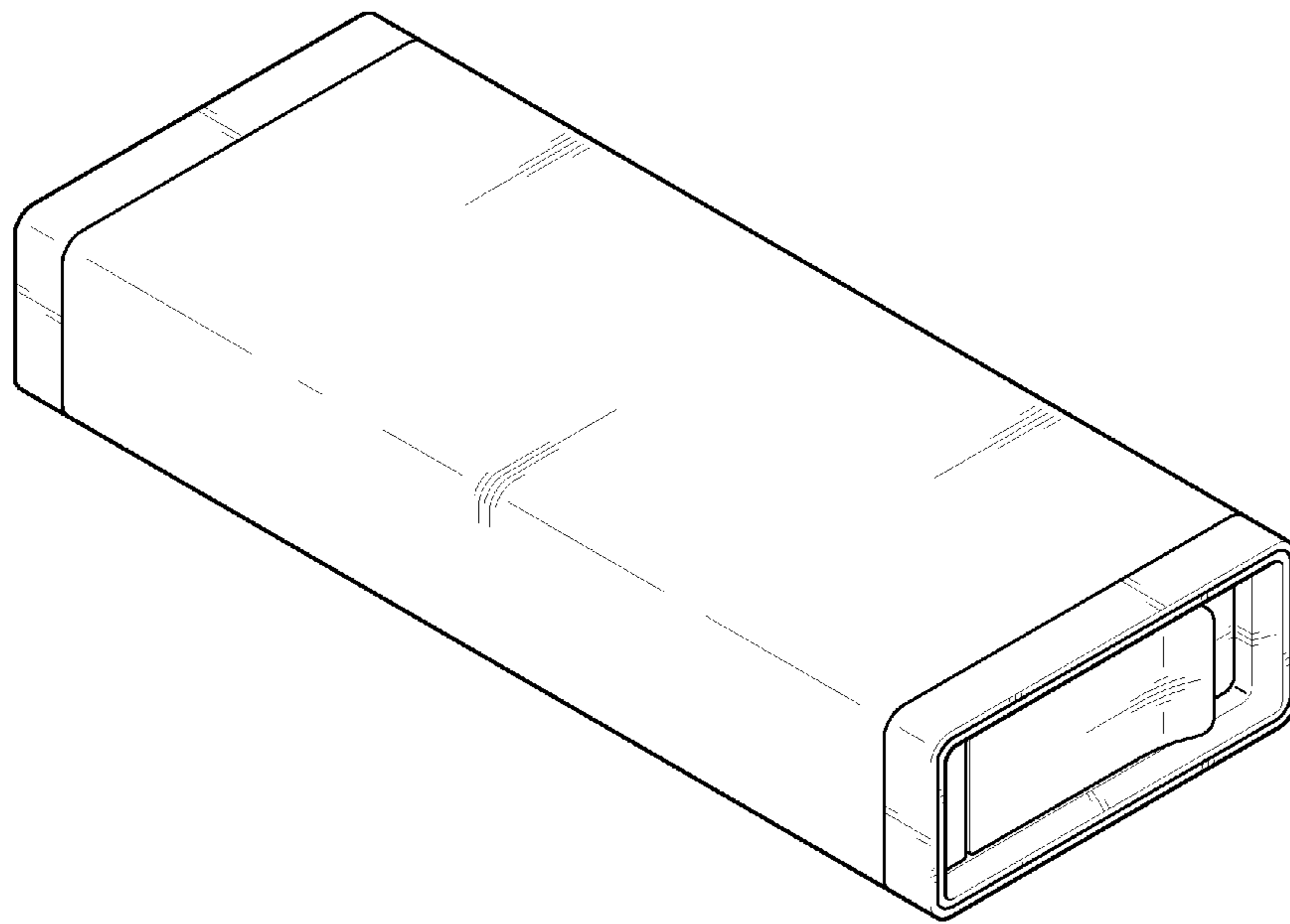


FIG. 2

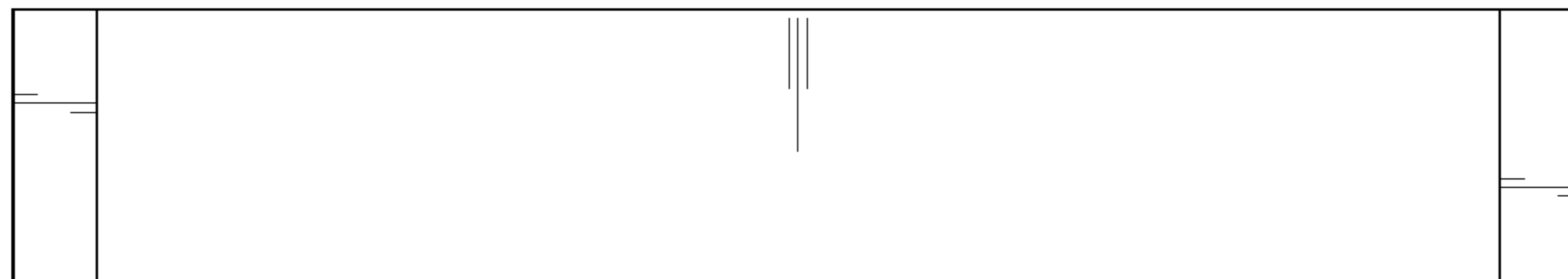


FIG. 3

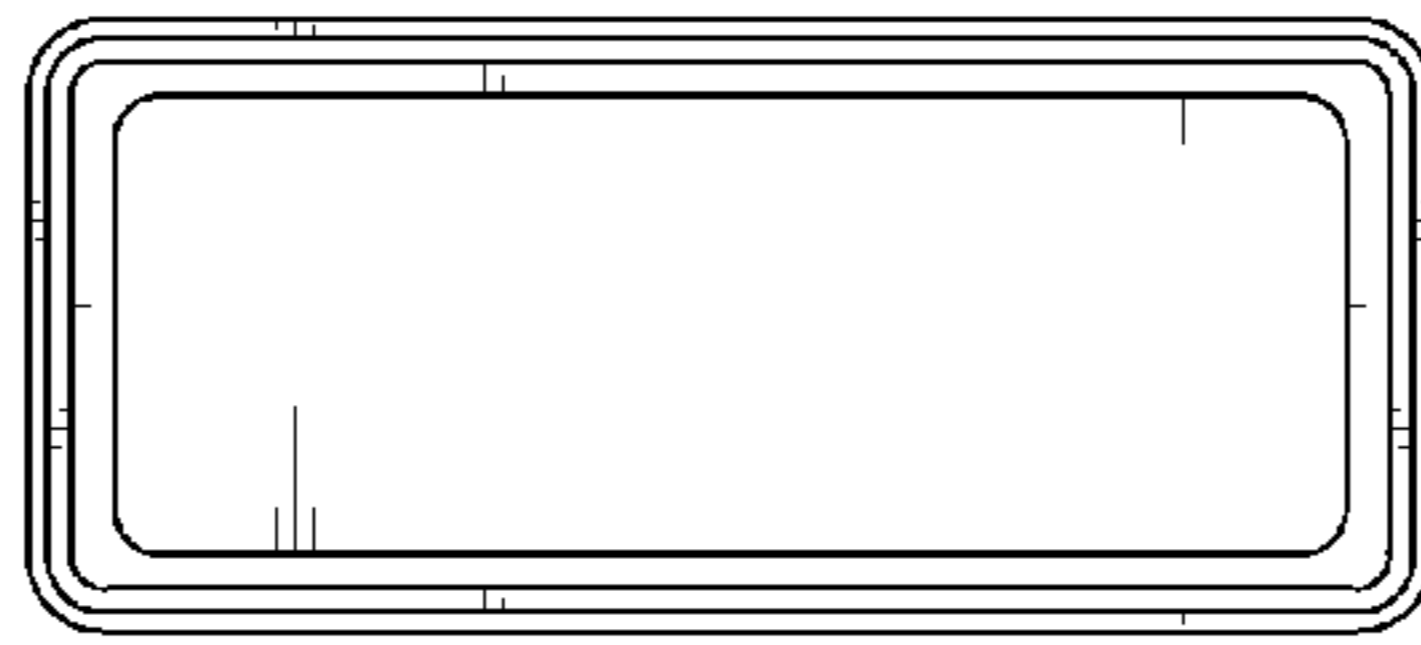


FIG. 4

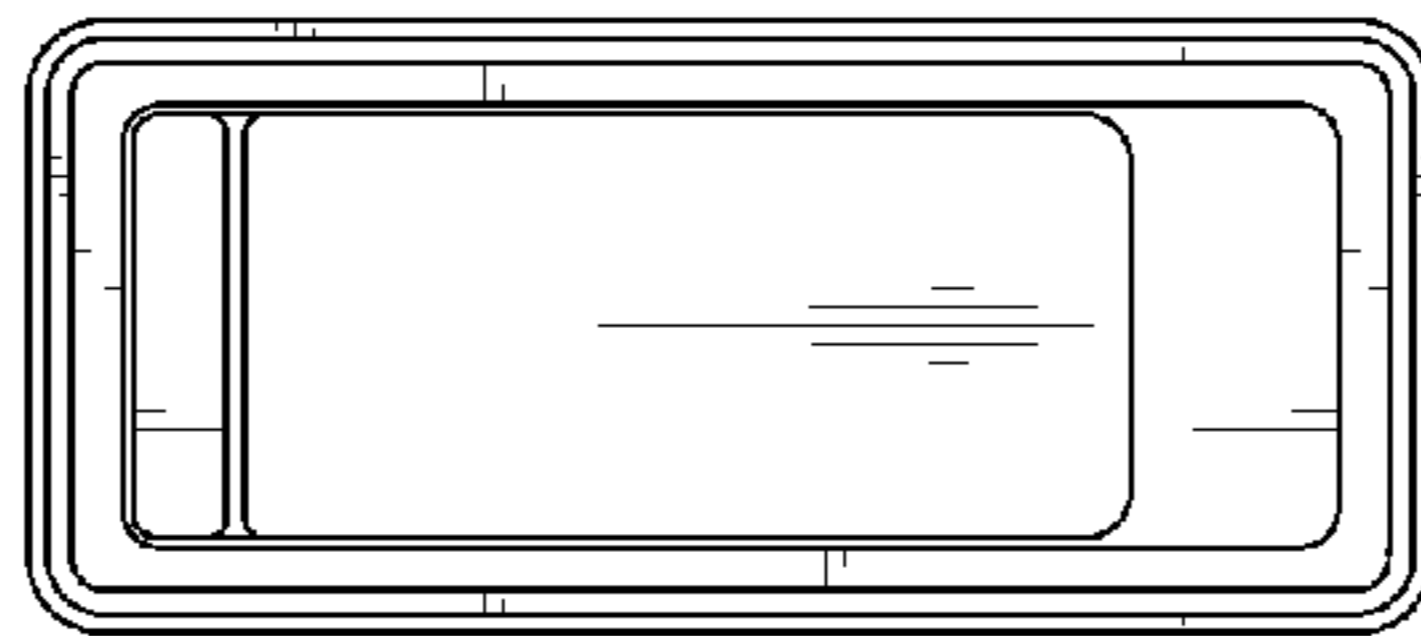


FIG. 5

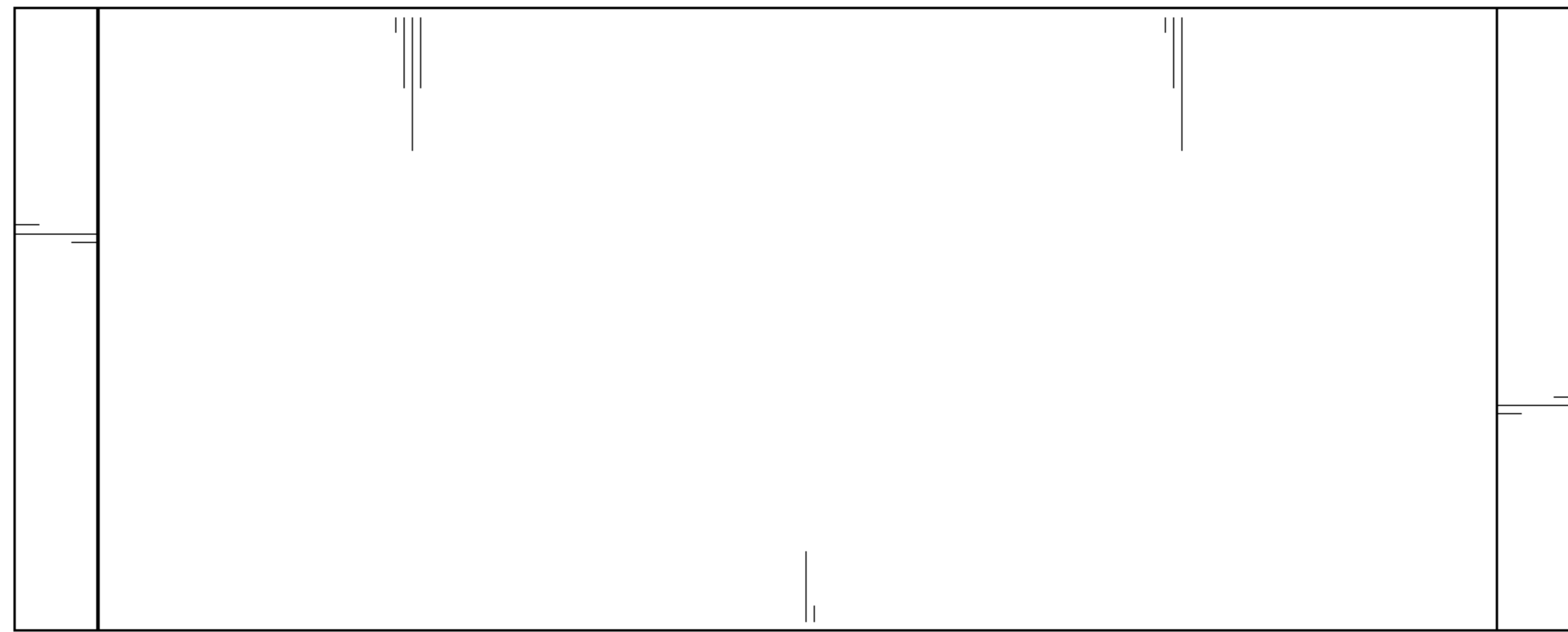


FIG. 6

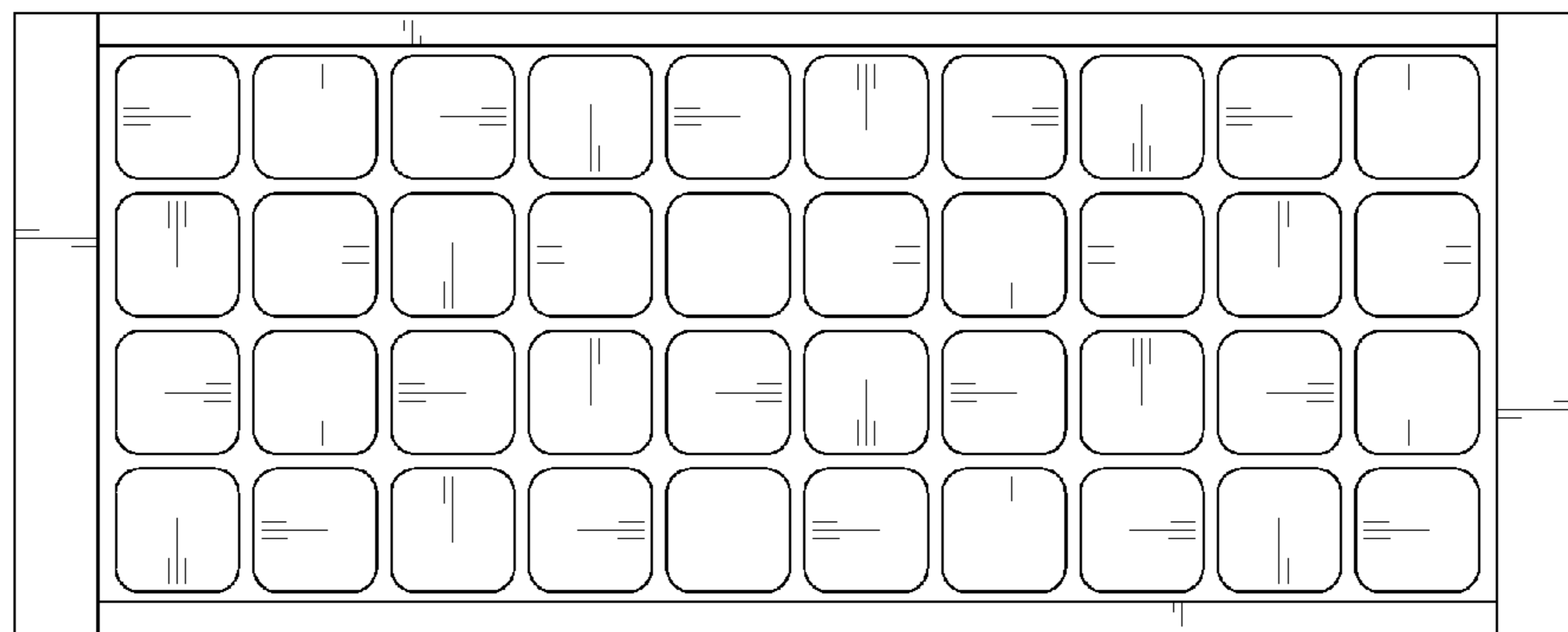


FIG. 7

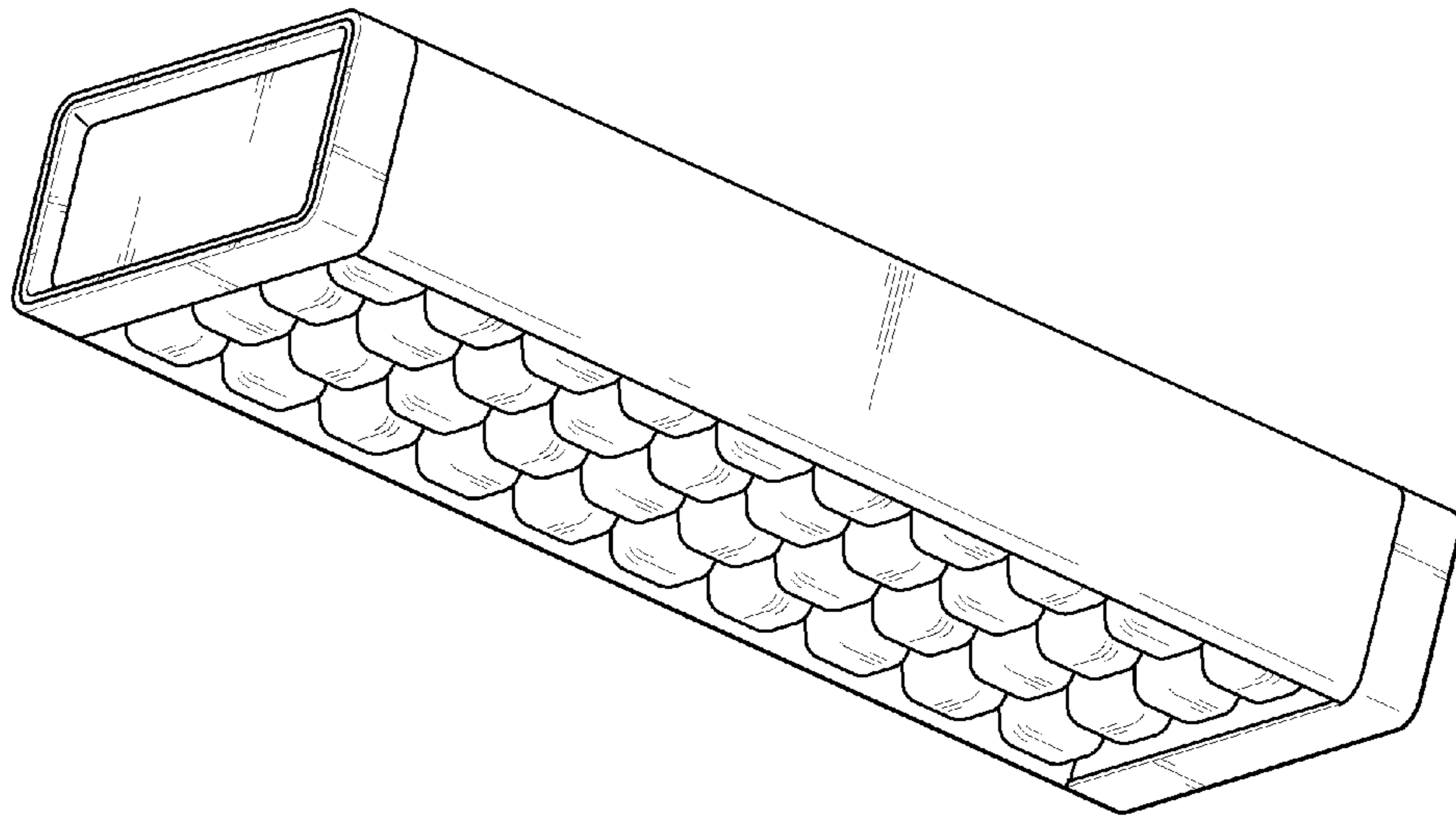


FIG. 8

