



US00D669099S

(12) **United States Design Patent**
Ringer et al.

(10) **Patent No.:** **US D669,099 S**
(45) **Date of Patent:** **** Oct. 16, 2012**

- (54) **PRODUCT TANK FOR AN AGRICULTURAL MACHINE**
- (75) Inventors: **Chad Ringer**, Trafalgar, IN (US); **Justin Honegger**, Plainfield, IN (US)
- (73) Assignee: **ET Works, LLC**, Mooresville, IN (US)
- (**) Term: **14 Years**
- (21) Appl. No.: **29/397,312**
- (22) Filed: **Jul. 14, 2011**
- (51) **LOC (9) Cl.** **15-03**
- (52) **U.S. Cl.** **D15/28**
- (58) **Field of Classification Search** D15/10,
D15/13-17, 28, 21, 27; D12/218; D23/200,
D23/202, 213; 239/683, 687, 72, 289, 722;
414/725, 912; 37/442, 403; 111/118; 137/544;
220/587, 565, 567.1; 210/532.2; 123/563;
222/185.1, 608
See application file for complete search history.

- 5,918,808 A 7/1999 Weddle
- 5,992,759 A * 11/1999 Patterson 239/167
- D425,915 S * 5/2000 Truan et al. D15/13
- 6,056,210 A 5/2000 Weddle
- D427,206 S * 6/2000 Johnson et al. D15/28
- 6,129,056 A * 10/2000 Skeel et al. 123/41.49
- D433,425 S * 11/2000 Surridge et al. D15/17
- D440,982 S * 4/2001 Knight et al. D15/23
- D445,477 S * 7/2001 Pomier D23/207
- 6,285,938 B1 * 9/2001 Lang et al. 701/50
- 6,386,554 B1 5/2002 Weddle
- 6,454,294 B1 9/2002 Bittner et al.
- 6,546,919 B2 * 4/2003 Callas et al. 123/563
- 6,564,857 B1 * 5/2003 Zobel et al. 165/41
- 6,588,189 B2 * 7/2003 Horejsi et al. 56/28
- 6,634,418 B2 * 10/2003 Wooldridge 165/44
- 6,715,643 B1 * 4/2004 Kelly 222/82
- D499,113 S * 11/2004 Murayama et al. D15/7
- 6,817,404 B2 * 11/2004 Frana-Guthrie et al. 165/43
- D500,055 S * 12/2004 Bieker D15/28
- 6,880,656 B2 * 4/2005 Pfusterschmid et al. 180/68.4
- D523,447 S * 6/2006 Dixon D15/13

(Continued)

Primary Examiner — Mark Goodwin
(74) *Attorney, Agent, or Firm* — Maginot, Moore & Beck

(56) **References Cited**

U.S. PATENT DOCUMENTS

- 3,263,865 A * 8/1966 Kachnik 222/159
- 3,393,835 A * 7/1968 Kantor et al. 222/105
- 3,797,743 A * 3/1974 Kommers et al. 239/148
- 3,976,302 A 8/1976 Hammarstrand
- 4,011,914 A * 3/1977 Elmer 172/126
- 4,441,655 A 4/1984 Blumhardt
- 4,512,589 A 4/1985 Ambrose et al.
- D307,591 S * 5/1990 Ridgeon D15/13
- D327,942 S * 7/1992 Whitfield D23/202
- D333,476 S * 2/1993 Gingrich D15/13
- 5,284,349 A 2/1994 Bruns et al.
- D349,944 S * 8/1994 Harris D23/202
- D359,712 S * 6/1995 Ziaylek et al. D12/13
- D364,173 S * 11/1995 Woods D15/13
- 5,501,405 A * 3/1996 Doornek 239/683
- 5,597,172 A 1/1997 Maiwald
- 5,676,117 A * 10/1997 Williams 123/527
- 5,755,382 A * 5/1998 Skotinkov 239/161
- 5,816,350 A * 10/1998 Akira et al. 180/68.1
- D408,421 S * 4/1999 Beal, Jr. D15/17

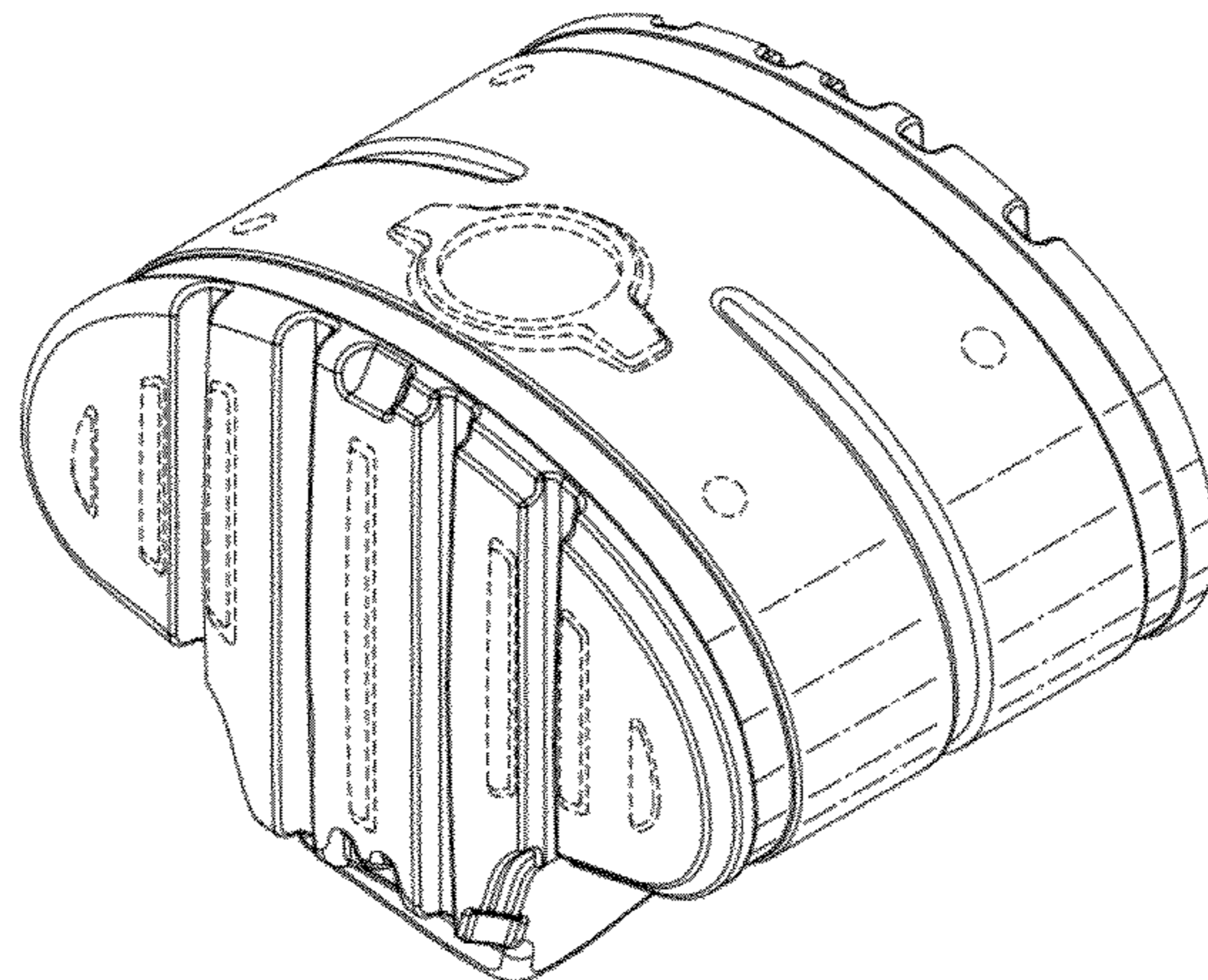
(57) **CLAIM**

The ornamental design for a product tank for an agricultural machine, as shown and described.

DESCRIPTION

FIG. 1 is a perspective view of a product tank for an agricultural machine showing our new design;
FIG. 2 is a left side elevational view thereof;
FIG. 3 is a right side elevational view thereof;
FIG. 4 is a bottom plan view thereof;
FIG. 5 is a top plan view thereof;
FIG. 6 is a front elevational view thereof; and,
FIG. 7 is a rear elevational view thereof.
The broken line showing of portions of the product tank is included for illustrative purposes only and forms no part of the claimed design.

1 Claim, 7 Drawing Sheets



US D669,099 S

Page 2

U.S. PATENT DOCUMENTS

D527,789	S *	9/2006	Thompson et al.	D23/202	7,896,062	B2	3/2011	Adamson et al.	
D543,995	S *	6/2007	Tanaka et al.	D15/5	D647,168	S *	10/2011	Lerner et al.	D23/202
7,237,636	B2	7/2007	Ruppert et al.		D647,169	S *	10/2011	Leonard et al.	D23/202
7,438,305	B2	10/2008	Schulz		D647,170	S *	10/2011	Hayslip et al.	D23/202
D590,043	S *	4/2009	Campbell	D23/202	D655,372	S *	3/2012	Kimball et al.	D23/202
7,563,199	B2	7/2009	Ringer		D656,520	S *	3/2012	Ortlund et al.	D15/17
D604,686	S *	11/2009	Yan et al.	D12/218	2002/0030119	A1 *	3/2002	Proharam	239/168
D612,448	S *	3/2010	Richardson	D23/202	2009/0167057	A1	7/2009	Walter et al.	
D624,864	S *	10/2010	Makino	D12/218	2010/0326755	A1	12/2010	Husson et al.	
D625,388	S *	10/2010	Cook	D23/202	2011/0147497	A1 *	6/2011	Hiddema	239/722
7,837,207	B2	11/2010	Kremmin et al.		2012/0032005	A1 *	2/2012	McMahon et al.	239/722

* cited by examiner

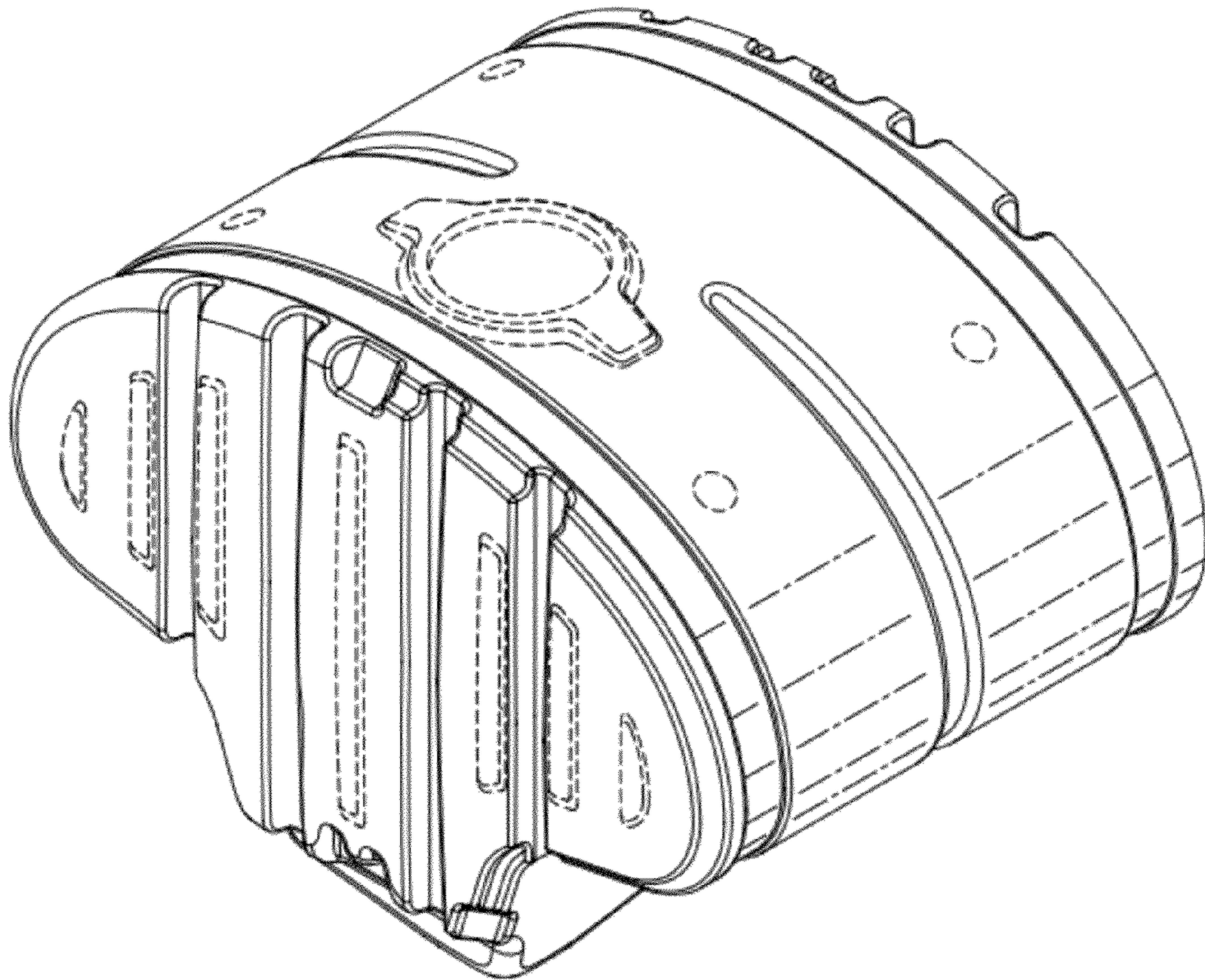


Fig. 1

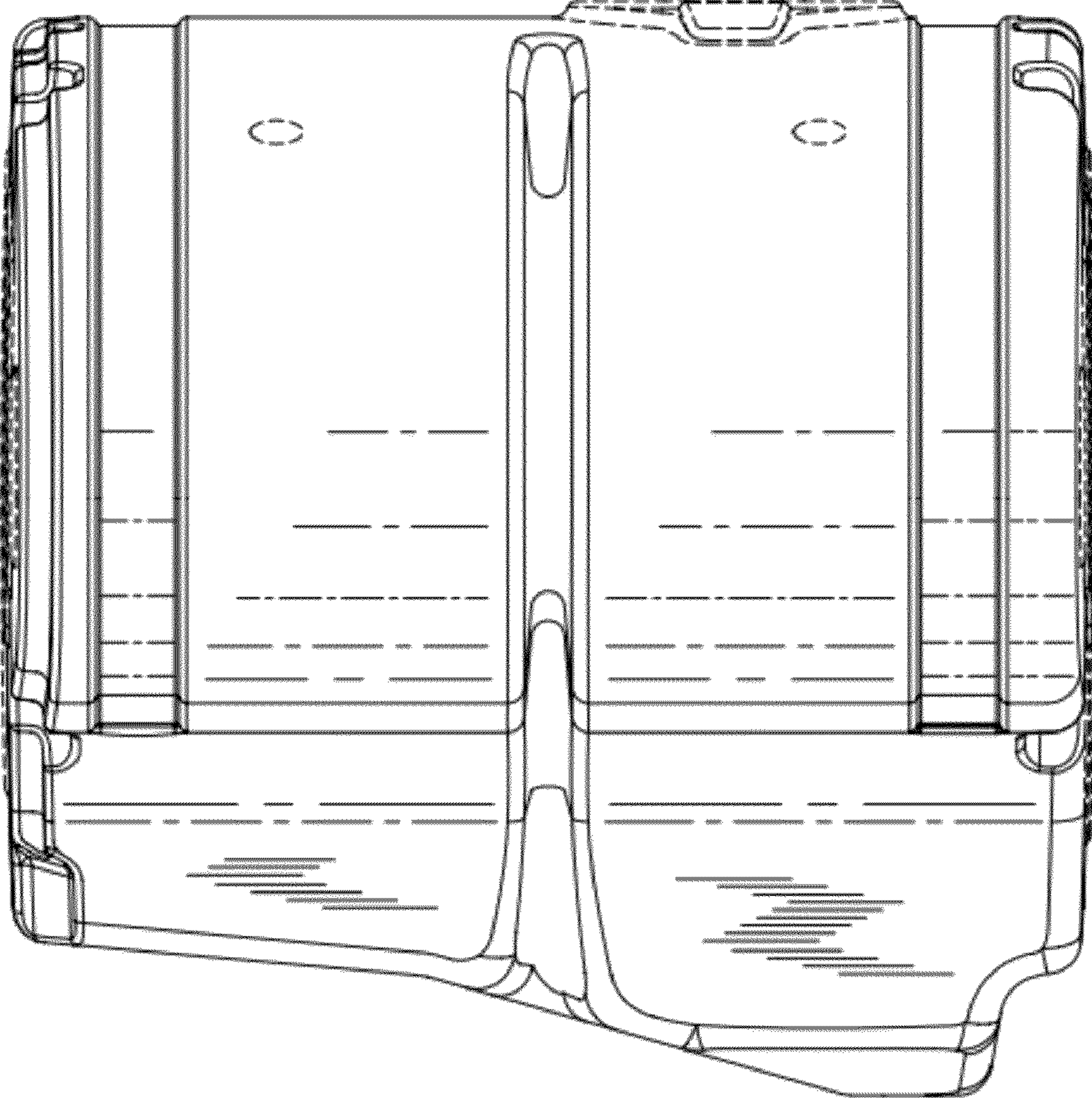


Fig. 2

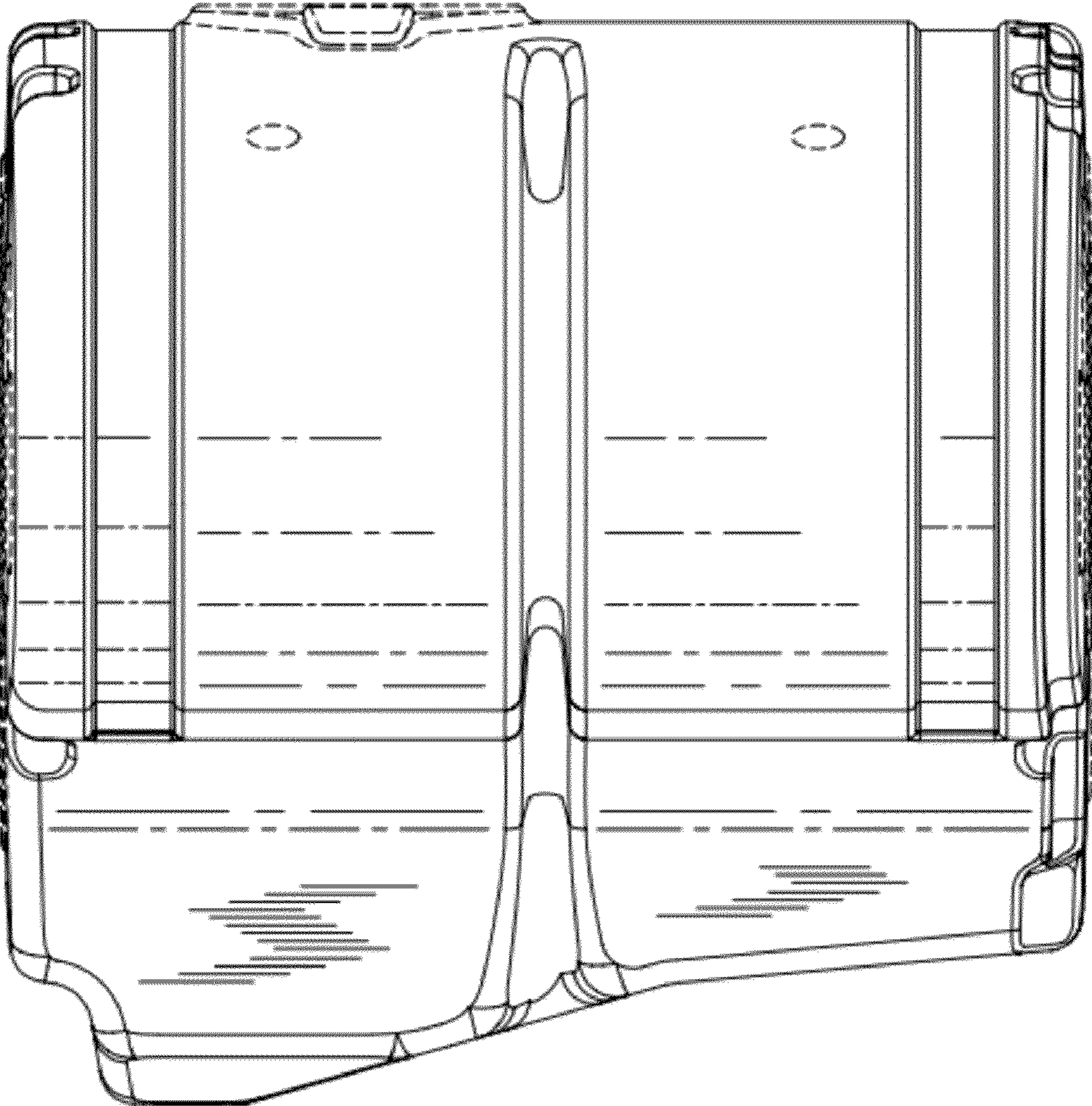


Fig. 3

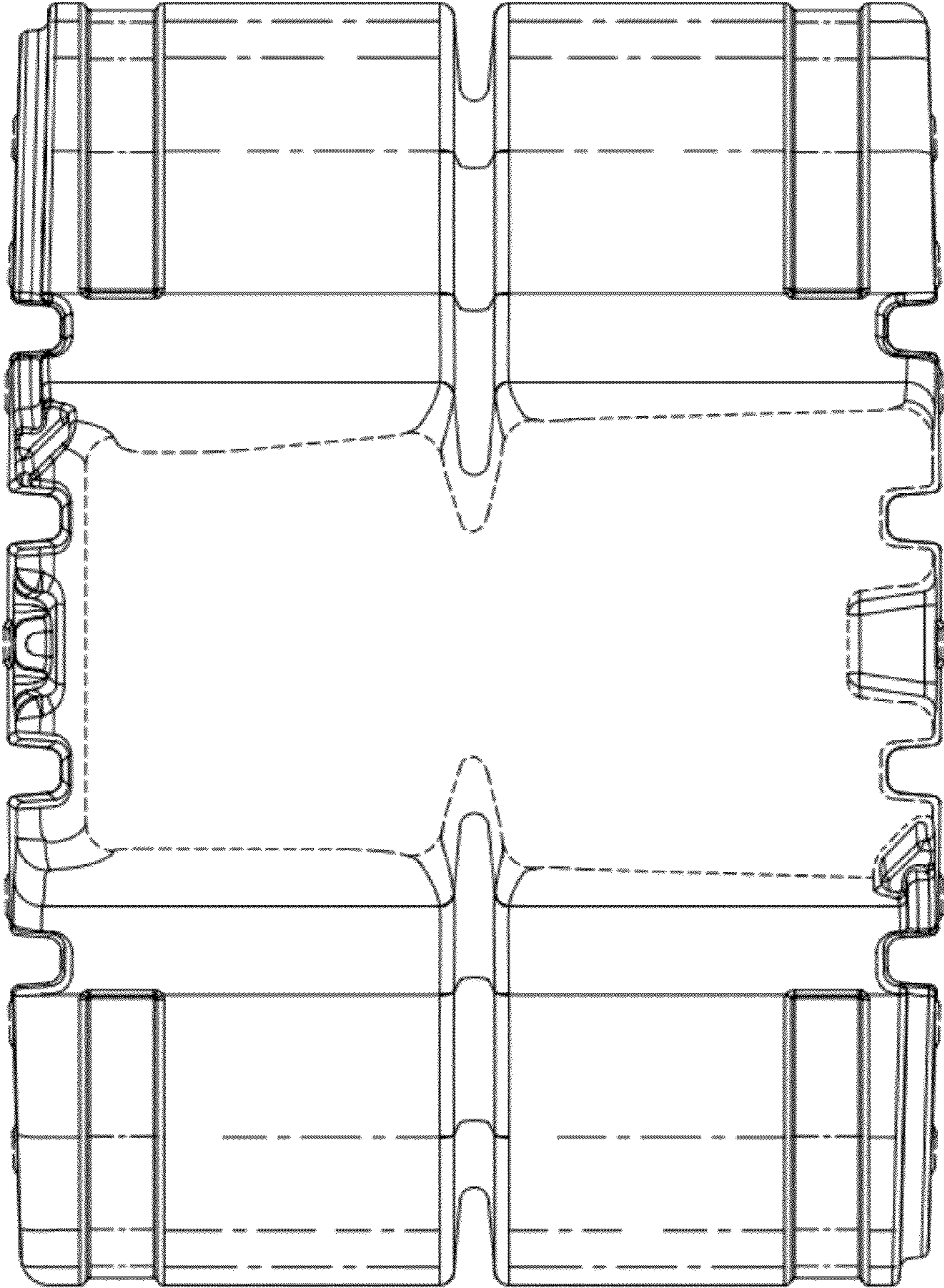


Fig. 4

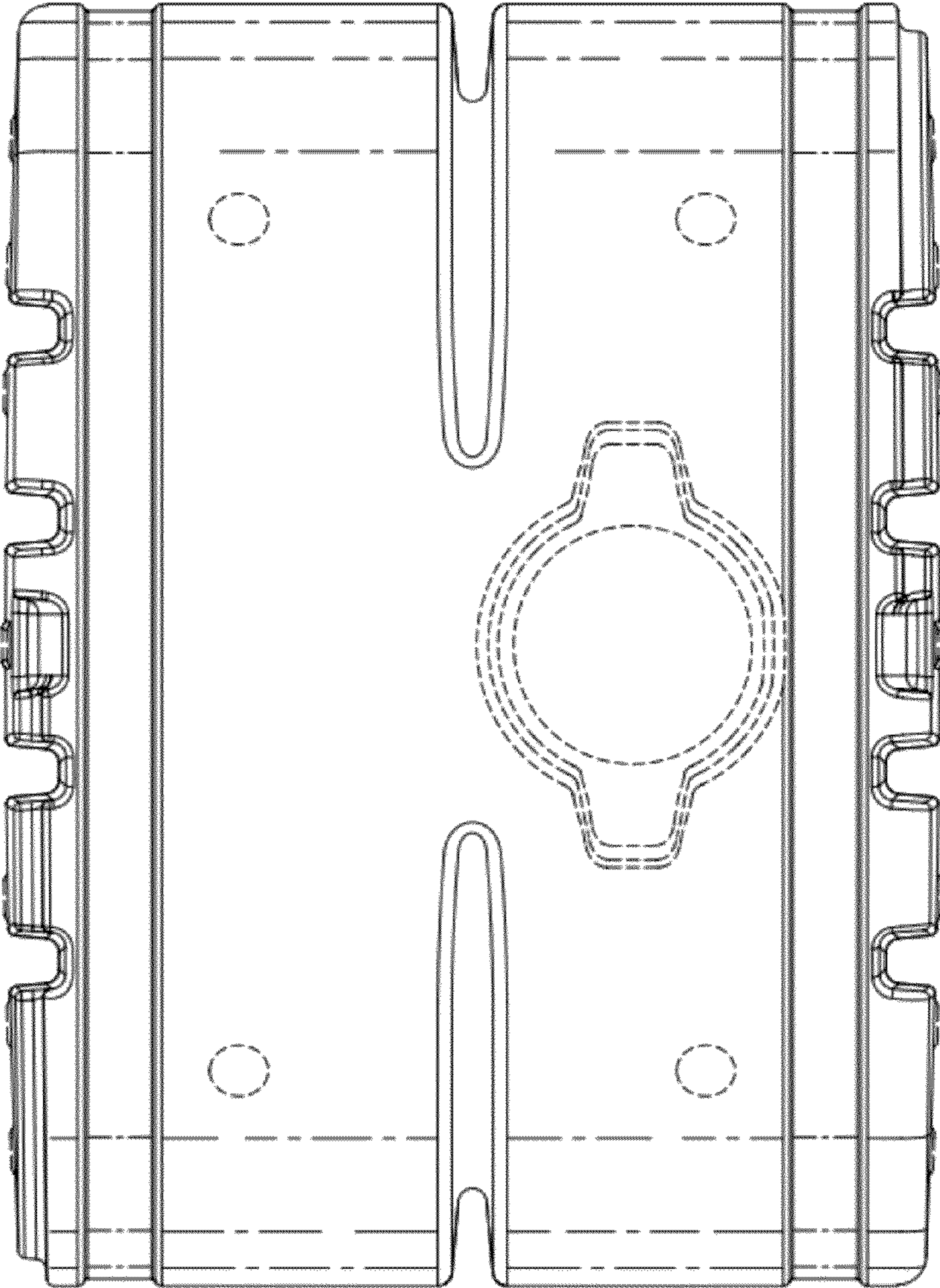


Fig. 5

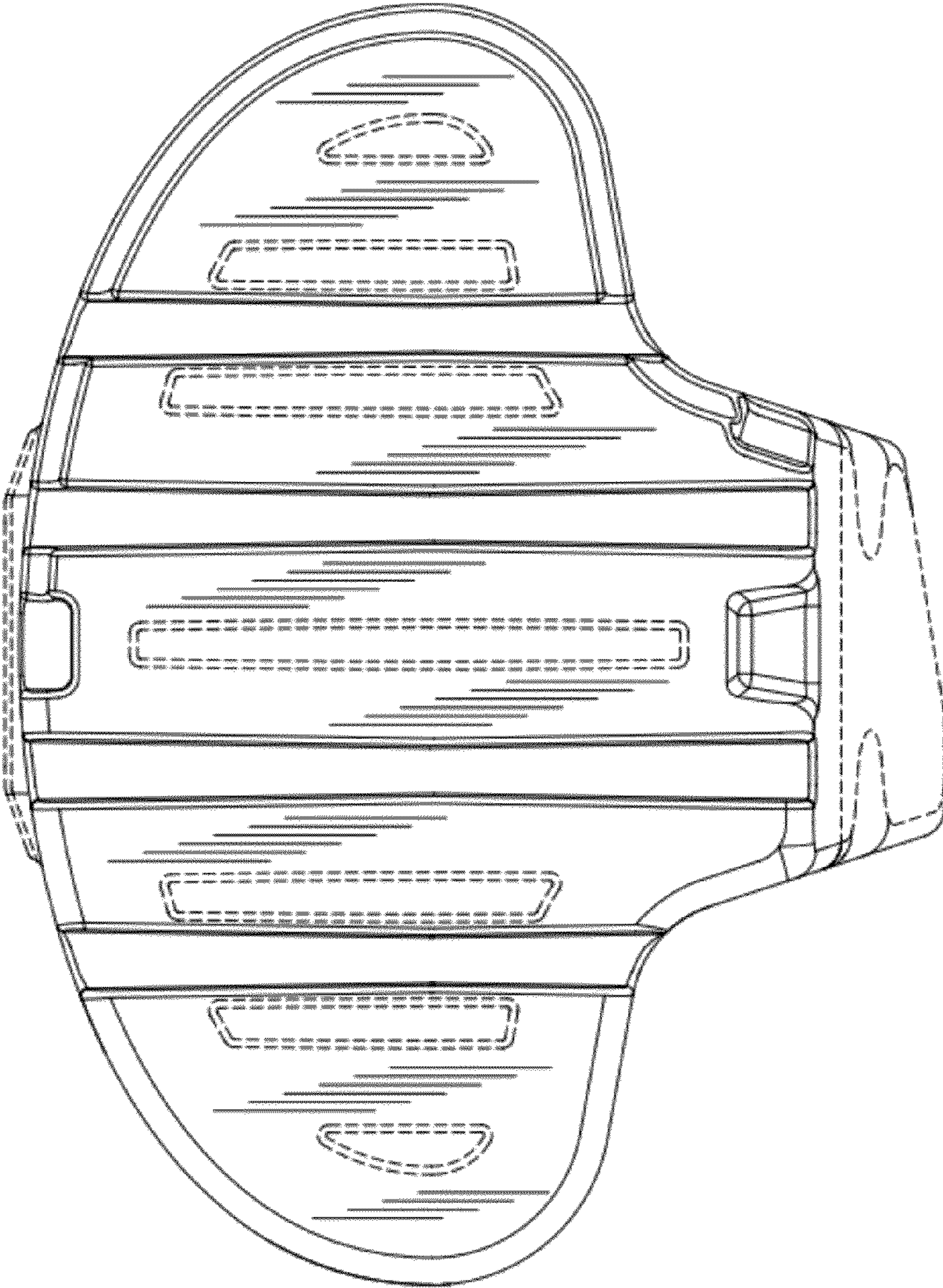


Fig. 6

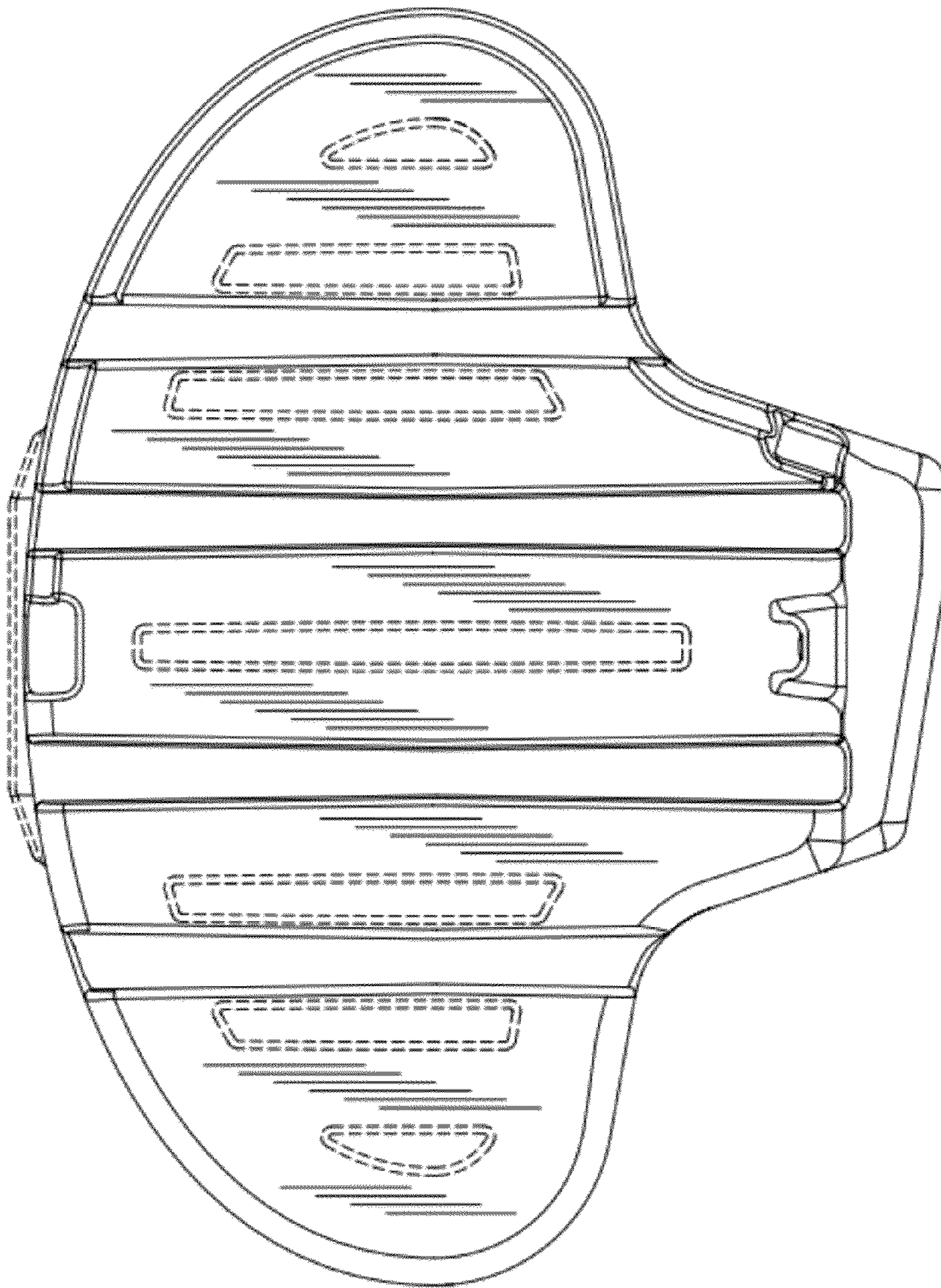


Fig. 7