



US00D669097S

(12) **United States Design Patent**
Hariwara

(10) **Patent No.:** **US D669,097 S**

(45) **Date of Patent:** **** Oct. 16, 2012**

(54) **FLUID PRESSURE CYLINDER**

(75) Inventor: **Nobuo Hariwara**, Tsukubamirai (JP)

(73) Assignee: **SMC Corporation**, Chiyoda-ku, Tokyo (JP)

(**) Term: **14 Years**

(21) Appl. No.: **29/410,664**

(22) Filed: **Jan. 11, 2012**

(30) **Foreign Application Priority Data**

Jul. 19, 2011 (JP) 2011-016421

(51) **LOC (9) Cl.** **15-02**

(52) **U.S. Cl.** **D15/7**

(58) **Field of Classification Search** D15/7-9;
D23/231, 232, 225; 417/60, 235, 265, 321,
417/355, 358, 363, 359, 410.1, 415-416,
417/405, 900; 60/408, 412; 184/26-37;
415/140-147; 123/495, 509

See application file for complete search history.

(56) **References Cited**

U.S. PATENT DOCUMENTS

D301,583 S * 6/1989 Herner D15/7

D370,683 S * 6/1996 Stahlman et al. D15/7
D643,855 S * 8/2011 Taniguchi et al. D15/7
D643,856 S * 8/2011 Taniguchi et al. D15/7

* cited by examiner

Primary Examiner — Ralf Seifert

(74) *Attorney, Agent, or Firm* — Yokoi & Co., U.S.A., Inc.;
Toshiyuki Yokoi

(57) **CLAIM**

The ornamental design for a fluid pressure cylinder, as shown and described.

DESCRIPTION

FIG. 1 shows a front view of a fluid pressure cylinder showing my new design;

FIG. 2 shows a rear view thereof;

FIG. 3 shows a right side view thereof;

FIG. 4 shows a left side view thereof;

FIG. 5 shows a top view thereof;

FIG. 6 shows a bottom view thereof; and,

FIG. 7 shows a top, front and left side perspective view thereof.

The broken lines in FIGS. 3, 4 and 5 are included for the purpose of illustrating portions of the fluid pressure cylinder that form no part of the claimed design.

1 Claim, 4 Drawing Sheets

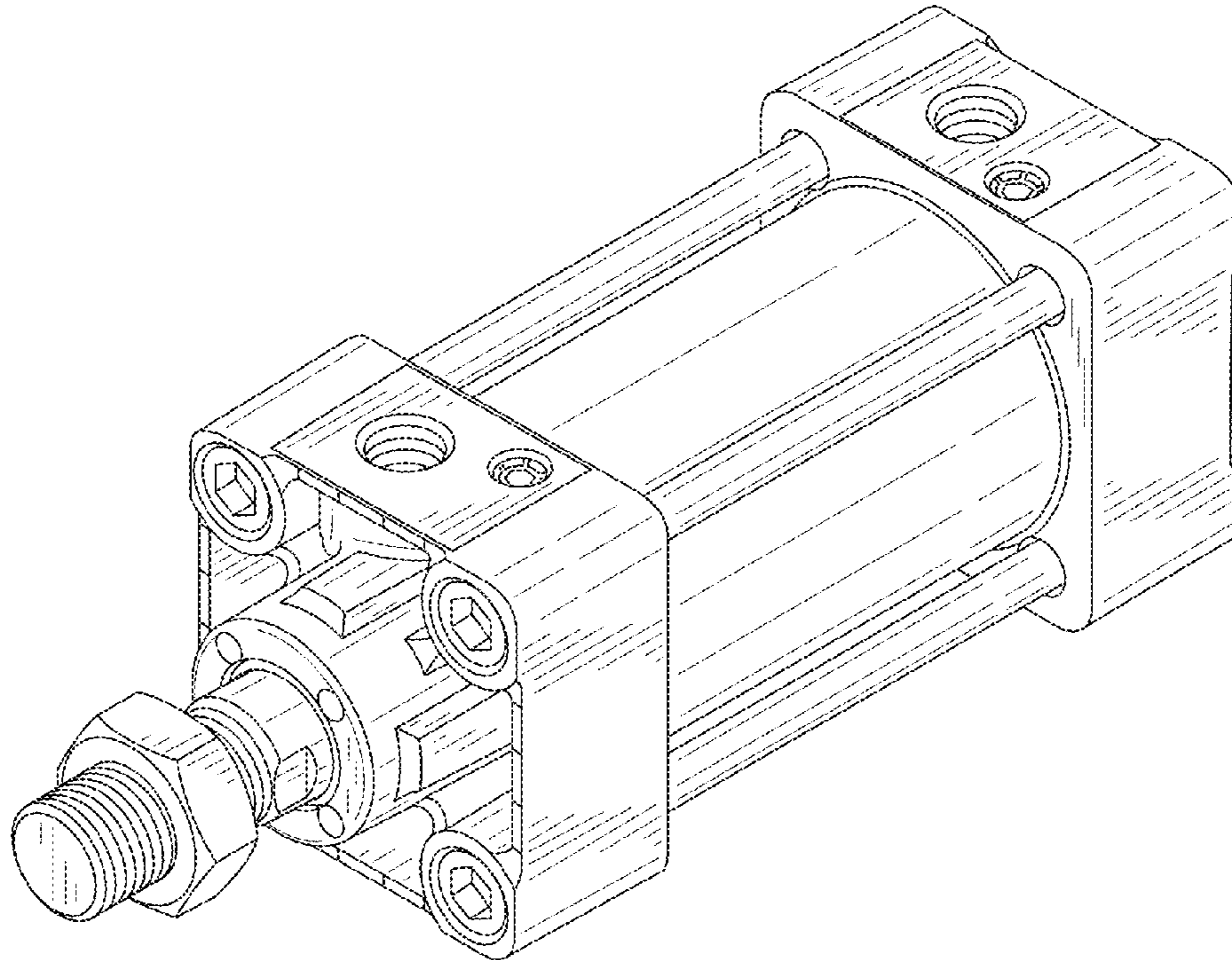


FIG. 1

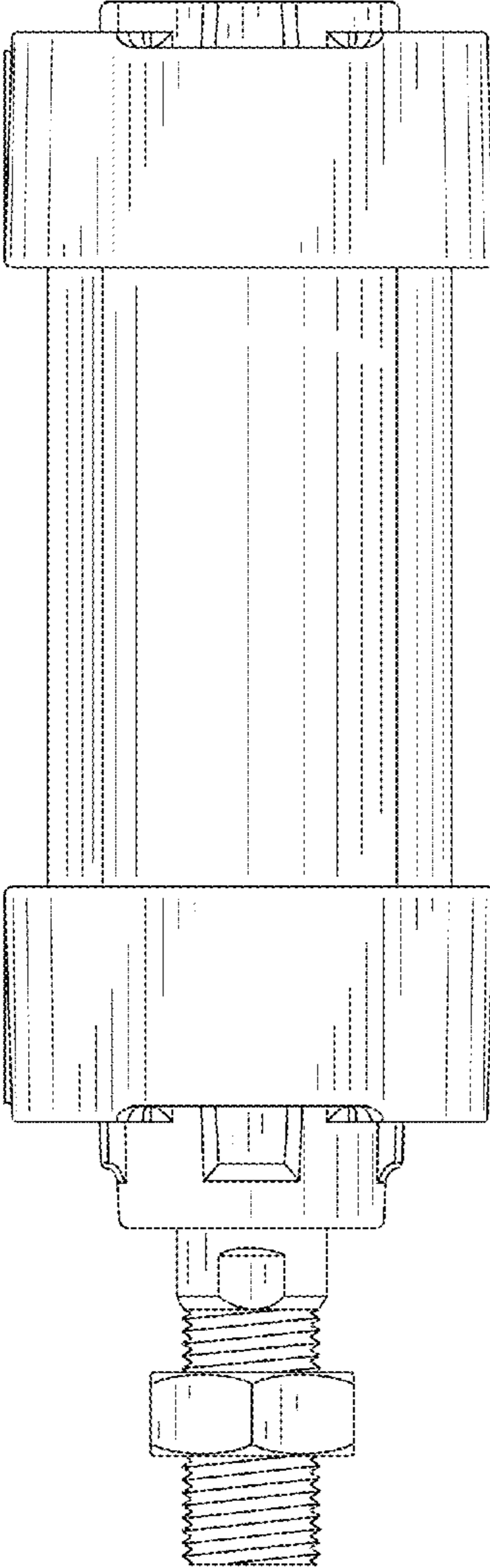


FIG. 2

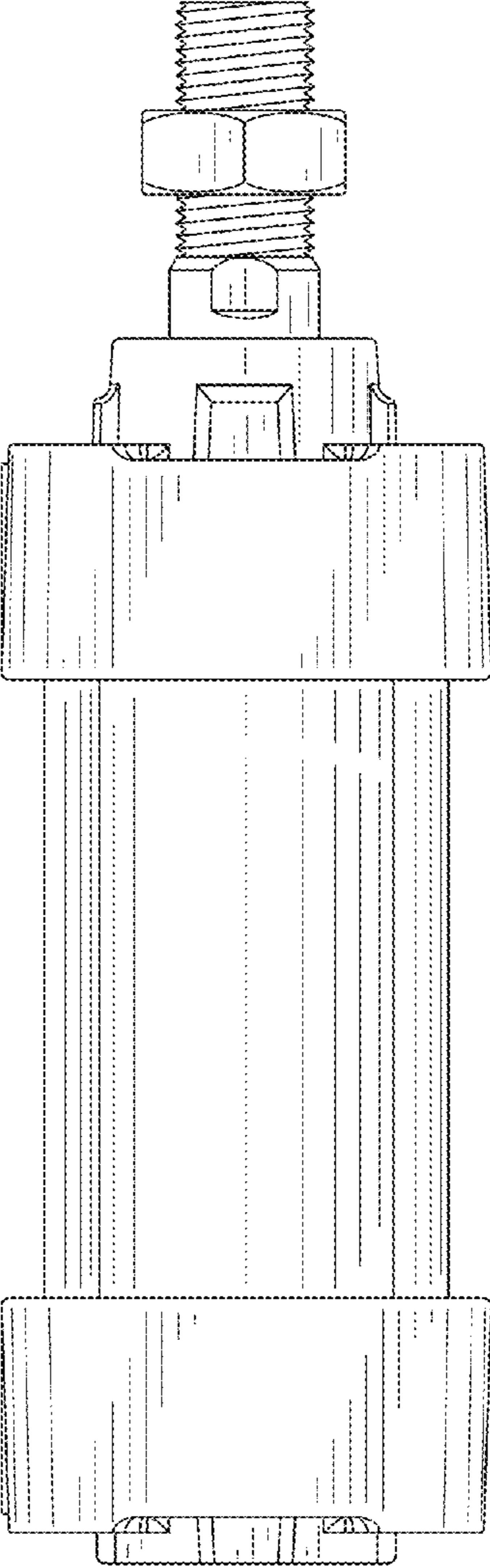


FIG. 3

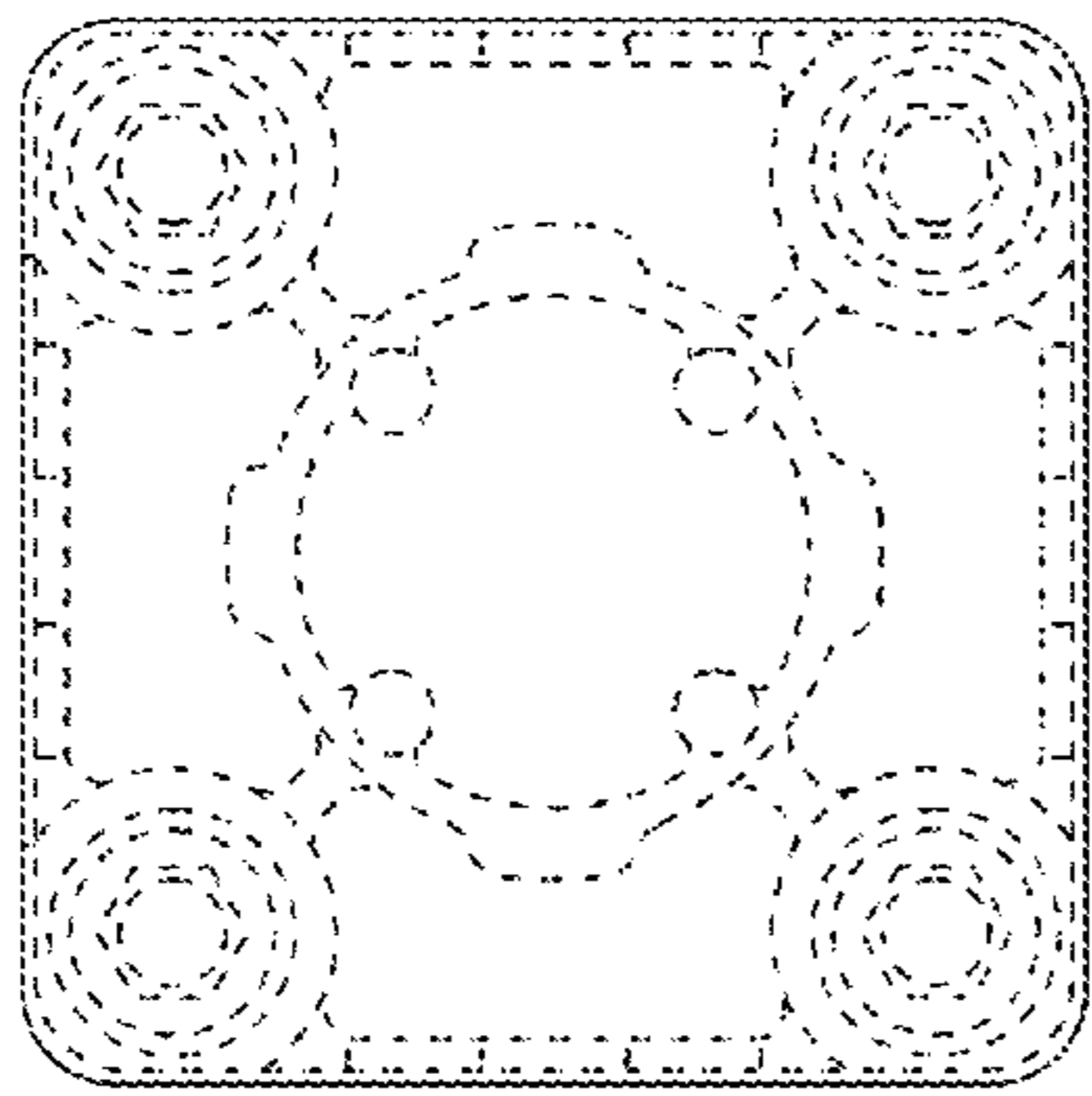


FIG. 4

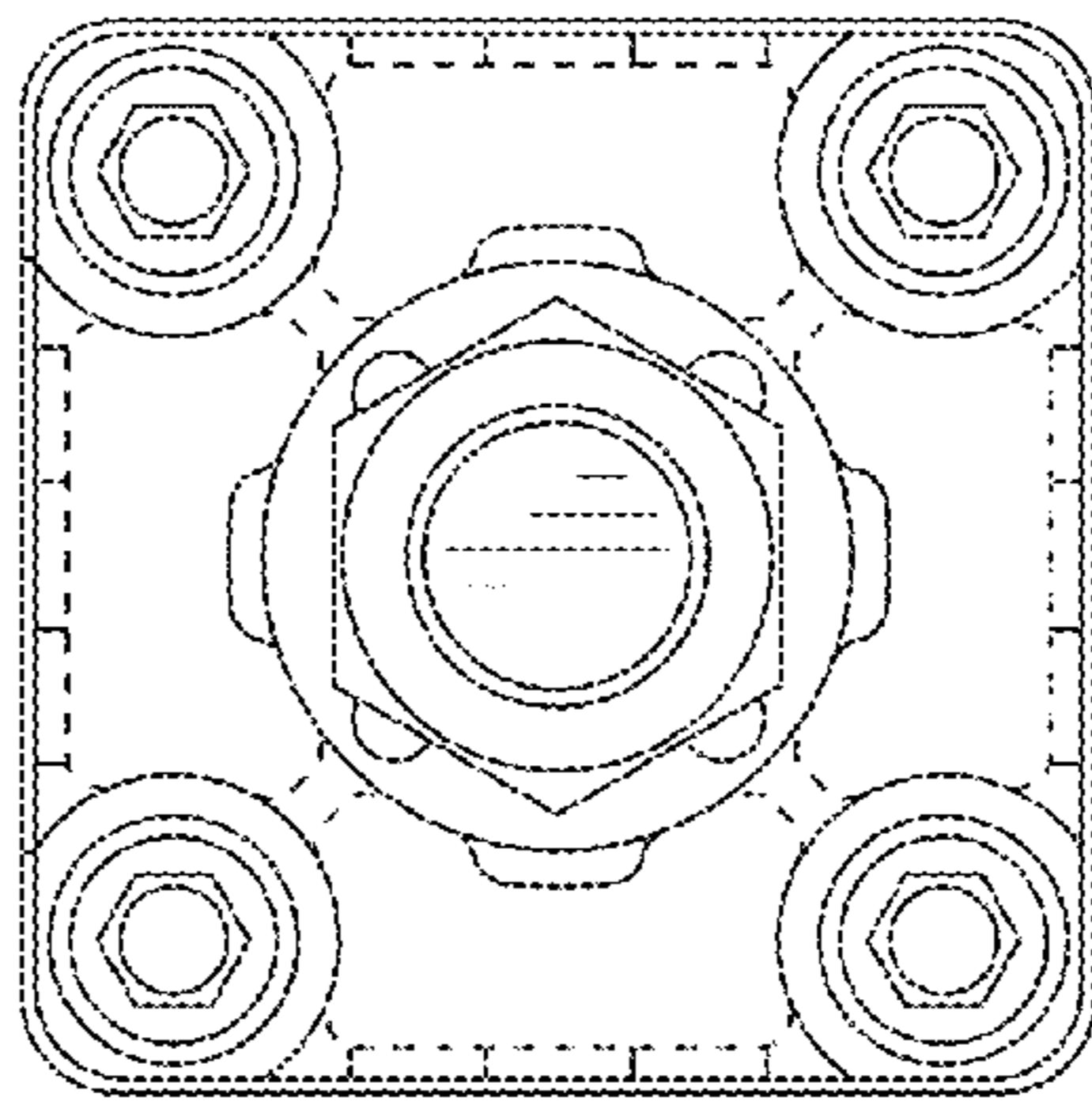


FIG. 5

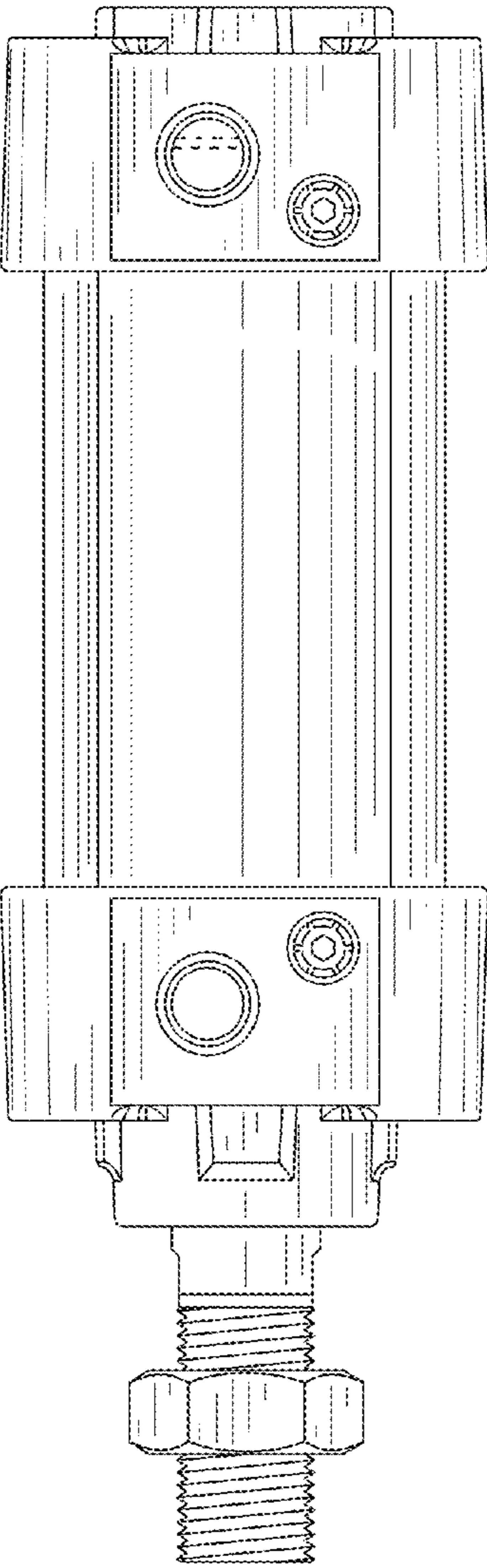


FIG. 6

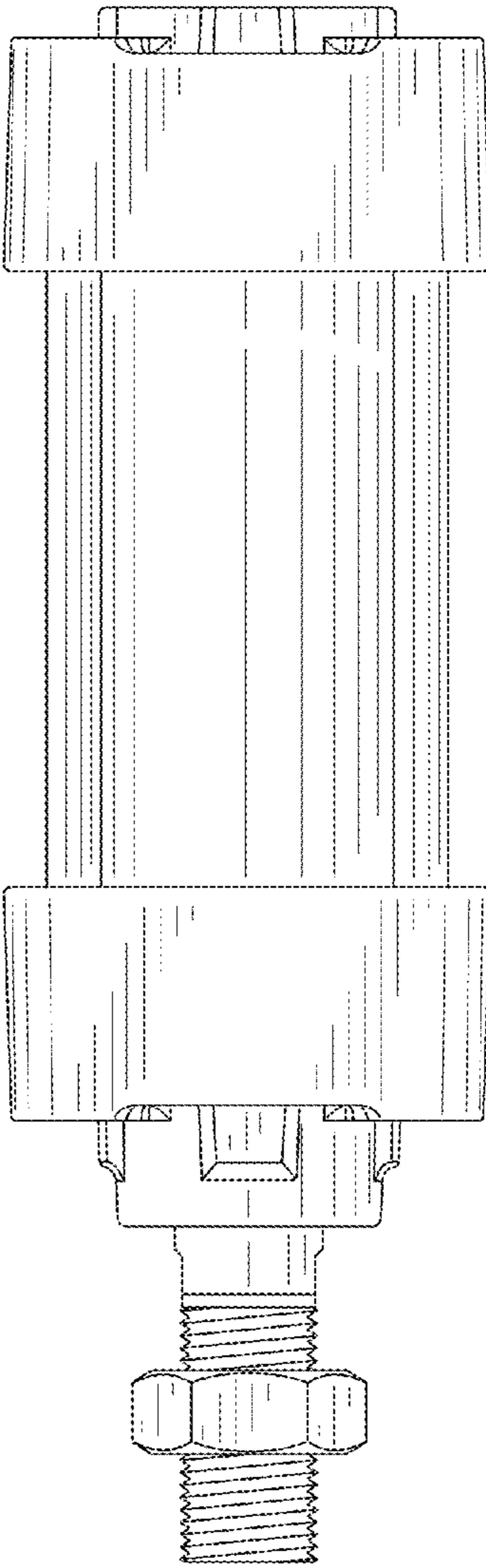


FIG. 7

