



US00D669096S

(12) **United States Design Patent**
Katsura

(10) **Patent No.:** **US D669,096 S**
(45) **Date of Patent:** **** Oct. 16, 2012**

(54) **INFUSION PUMP**

(75) Inventor: **Hideki Katsura**, Tokyo (JP)

(73) Assignee: **Terumo Kabushiki Kaisha**, Tokyo (JP)

(**) Term: **14 Years**

(21) Appl. No.: **29/403,747**

(22) Filed: **Oct. 11, 2011**

(30) **Foreign Application Priority Data**

Apr. 11, 2011 (JP) 2011-008268

(51) **LOC (9) Cl.** **15-02**

(52) **U.S. Cl.** **D15/7**

(58) **Field of Classification Search** D15/7-9;
D23/231, 232; 417/410.1, 359, 415-416,
417/234, 321, 265, 405; D24/107, 108, 111
See application file for complete search history.

(56) **References Cited**

U.S. PATENT DOCUMENTS

D376,199 S * 12/1996 Rozek et al. D24/110
D394,268 S * 5/1998 Evans et al. D15/7
D492,326 S * 6/2004 Hsiao D15/9
D531,645 S * 11/2006 Wise D15/9
D624,876 S * 10/2010 Daniels et al. D13/107

OTHER PUBLICATIONS

“Infusion Pump (SK-600I)” of Shenzhen Shenke Medical Instrument Technical Development Co., Ltd., shown on the first page of the website <http://www.easybizchina.com>, accessed Jul. 13, 2012 (2 pages).

“Infusion Pump” of Shenzhen Shenke Medical Instrument Technical Development Co., Ltd., shown on the second page of the website <http://www.easybizchina.com>, accessed Jul. 13, 2012 (2 pages).

“Medical Equipment—Infusion Pump” of Shenzhen Shenke Medical Instrument Technical Development Co., Ltd., shown on the second page of the website <http://www.easybizchina.com>, accessed Jul. 13, 2012 (2 pages).

“Infusion Pump” of Fresenius, shown on the first page of the website http://en.wikipedia.org/wiki/Infusion_pump, accessed Jul. 13, 2012 (3 pages).

“Infusion Pump” of Baxter International, shown on the second page of the website http://en.wikipedia.org/wiki/Infusion_pump, accessed Jul. 13, 2012 (4 pages).

“Infusion Pump” of Ardu Medical, Inc., shown in the website <http://www.ardusmedical.com>, accessed Jul. 13, 2012 (2 pages).

“Infusion Pump” of B. Braun Medical Inc. shown in the website <http://www.bbraunusa.com/products.html?id=00020743040000000384>, accessed Jul. 13, 2012 (1 page).

* cited by examiner

Primary Examiner — Ralf Seifert

(74) *Attorney, Agent, or Firm* — Fitch Even Tabin & Flannery, LLP

(57) **CLAIM**

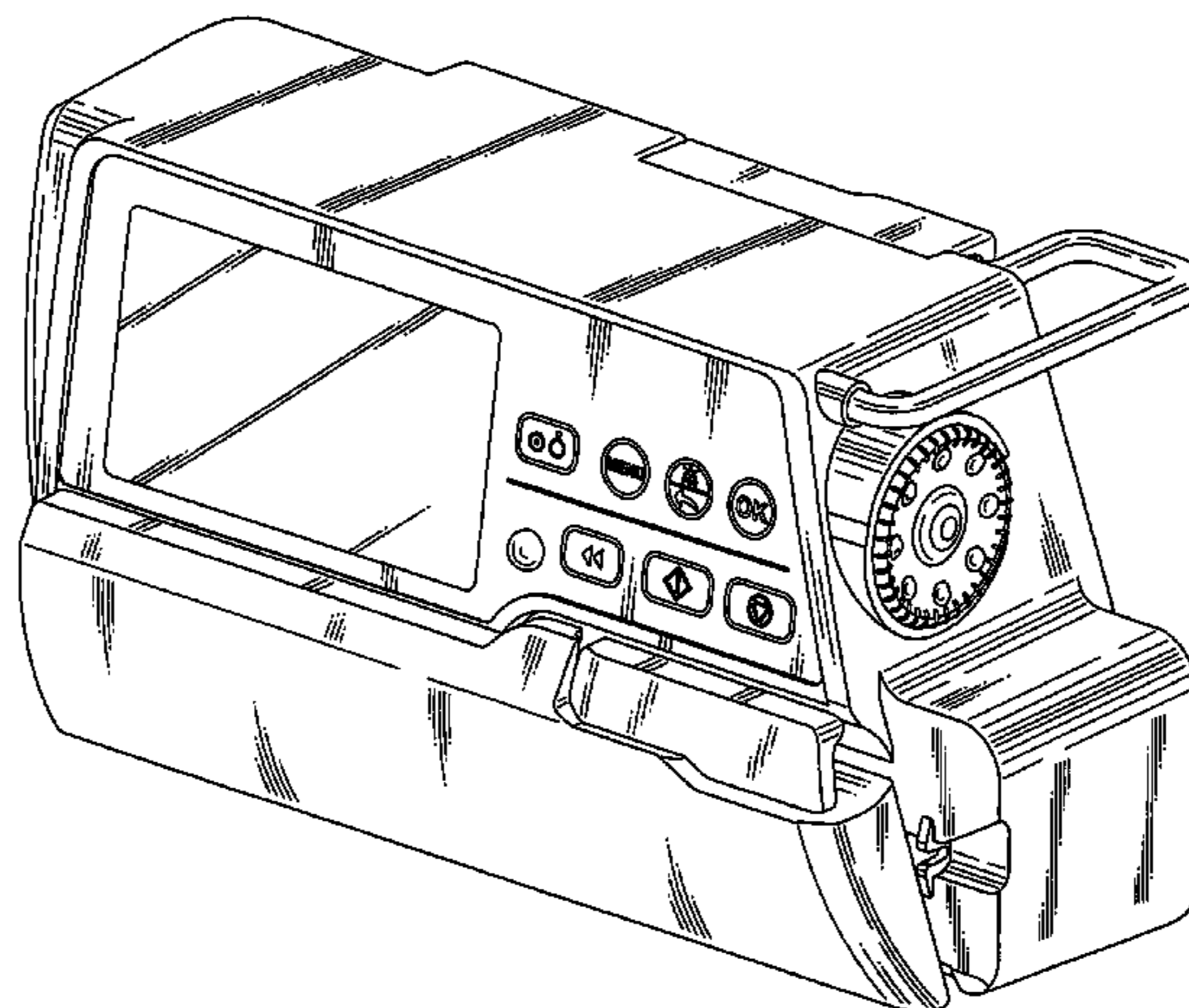
I claim the ornamental design for a infusion pump, as shown and described.

DESCRIPTION

FIG. 1 is a front, top and right side perspective view of an infusion pump, showing my new design;
FIG. 2 is a front, top and left side perspective view thereof;
FIG. 3 is a front elevational view thereof;
FIG. 4 is a rear elevational view thereof;
FIG. 5 is a top plan view thereof;
FIG. 6 is a bottom plan view thereof;
FIG. 7 is a left side elevational view thereof;
FIG. 8 is a right side elevational view thereof; and,
FIG. 9 is a front perspective view with the cover in an opened state thereof.

The broken lines in FIGS. 4, 6 and 7 are included for the purpose of illustrating portions of the infusion pump that form no part of the claimed design.

1 Claim, 8 Drawing Sheets



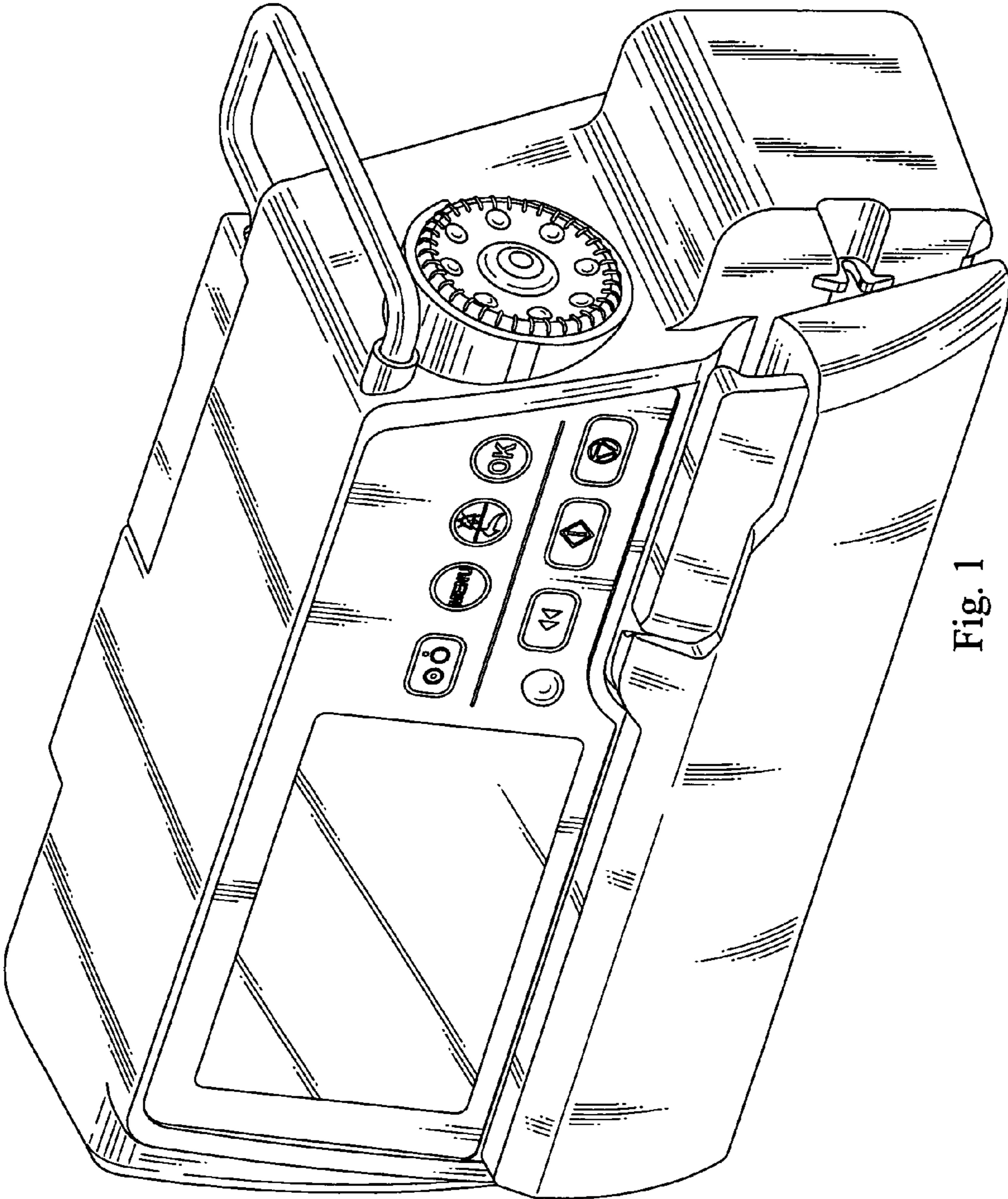


Fig. 1

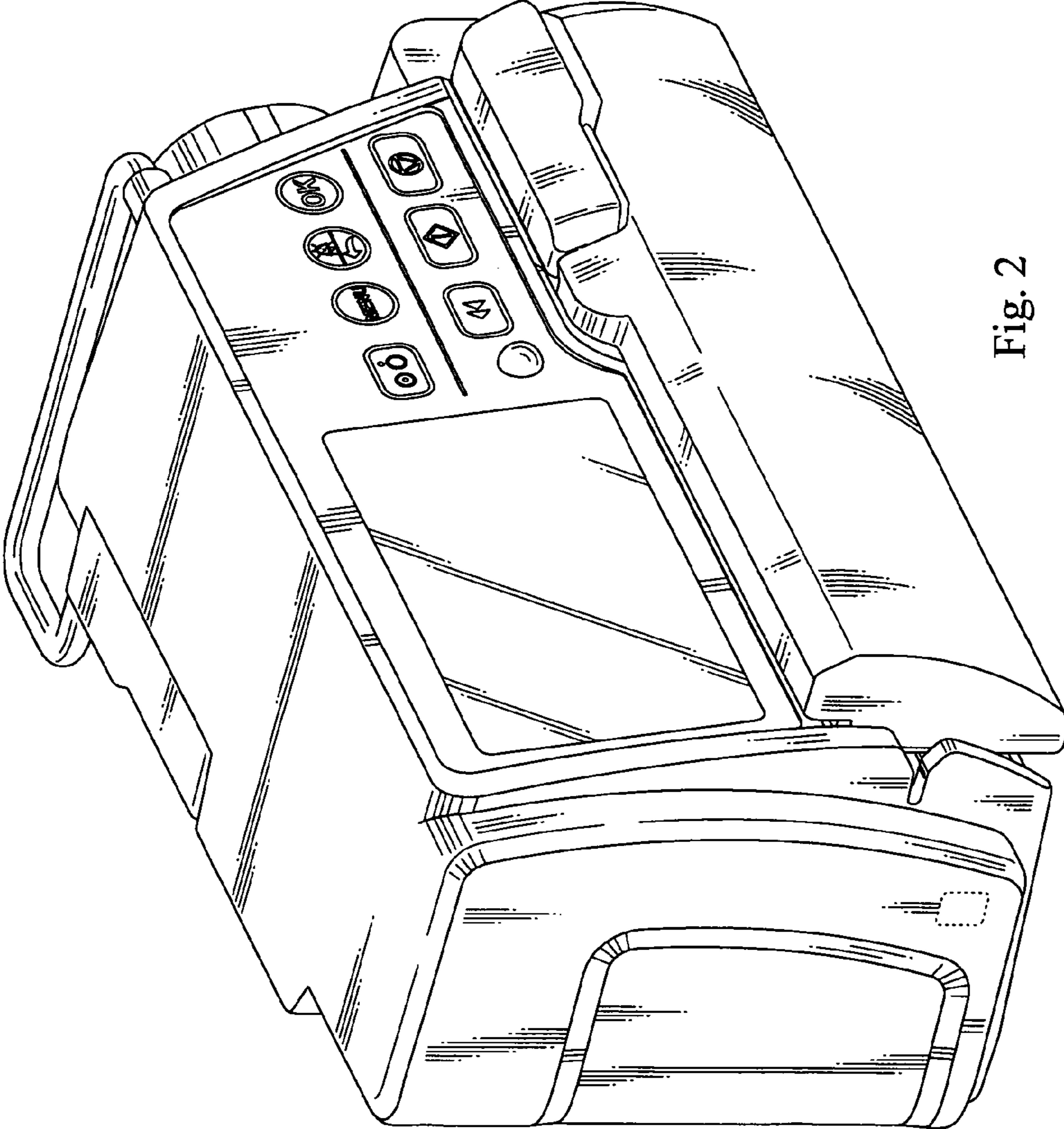


Fig. 2

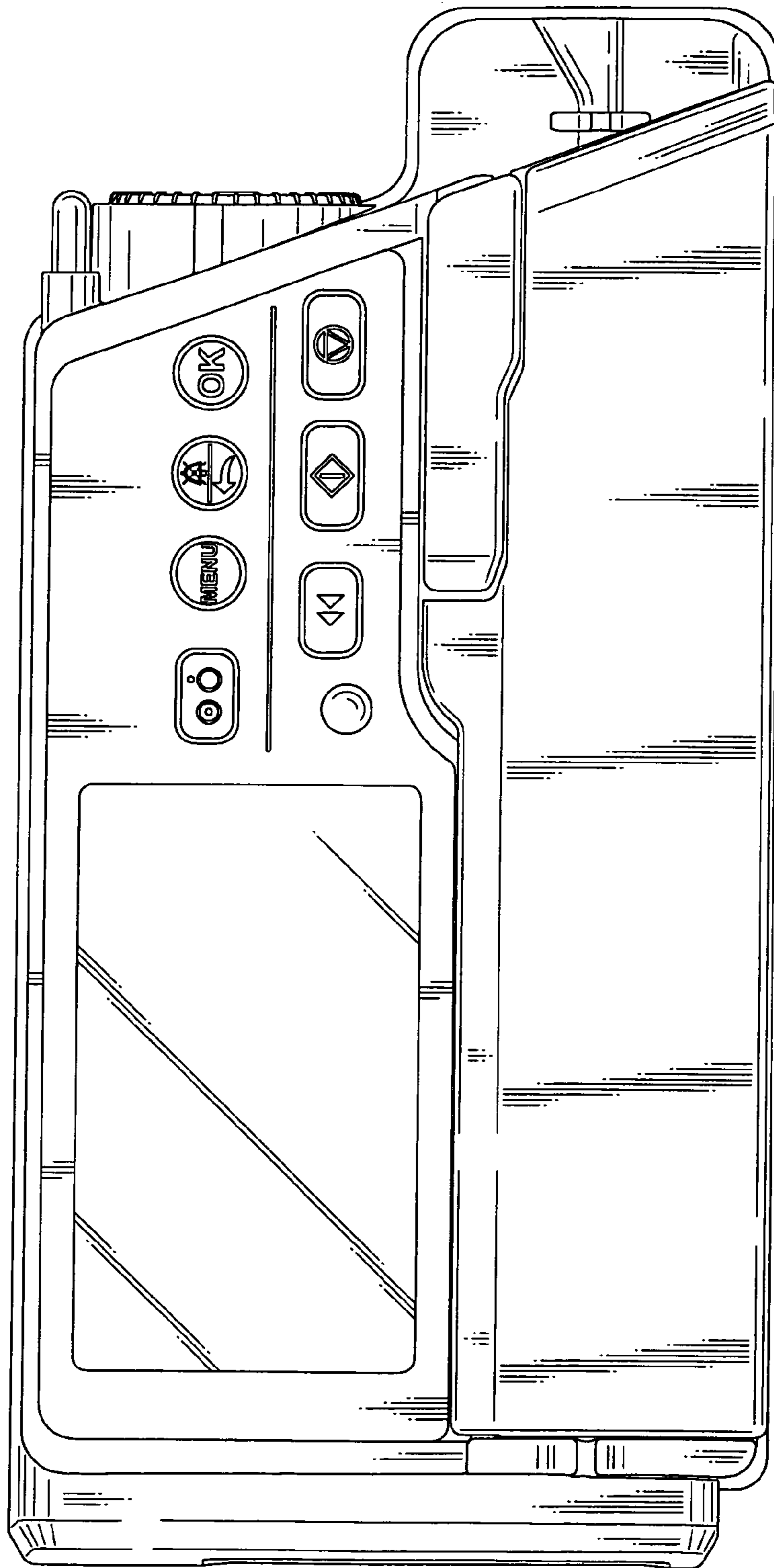


Fig. 3

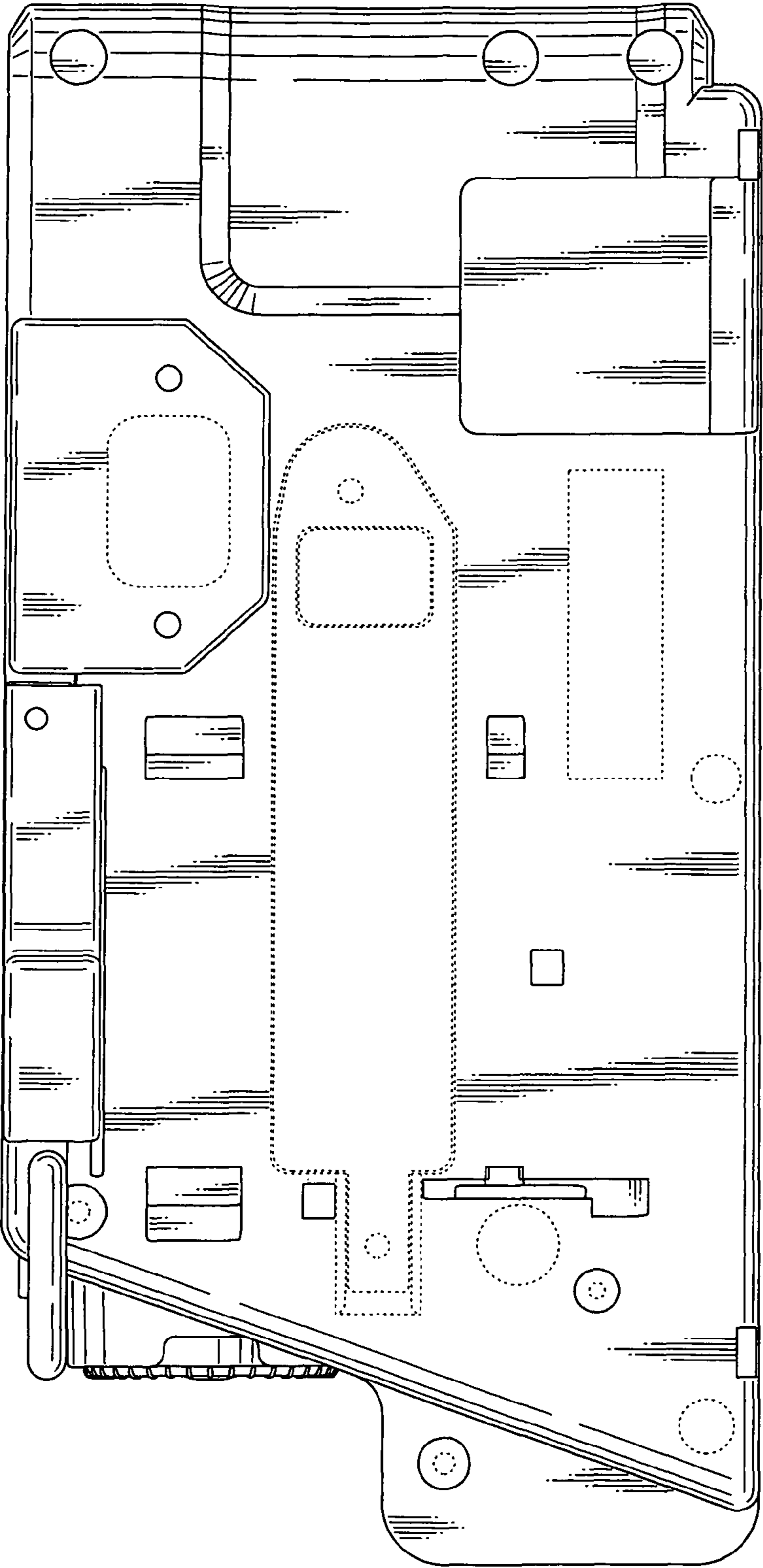


Fig. 4

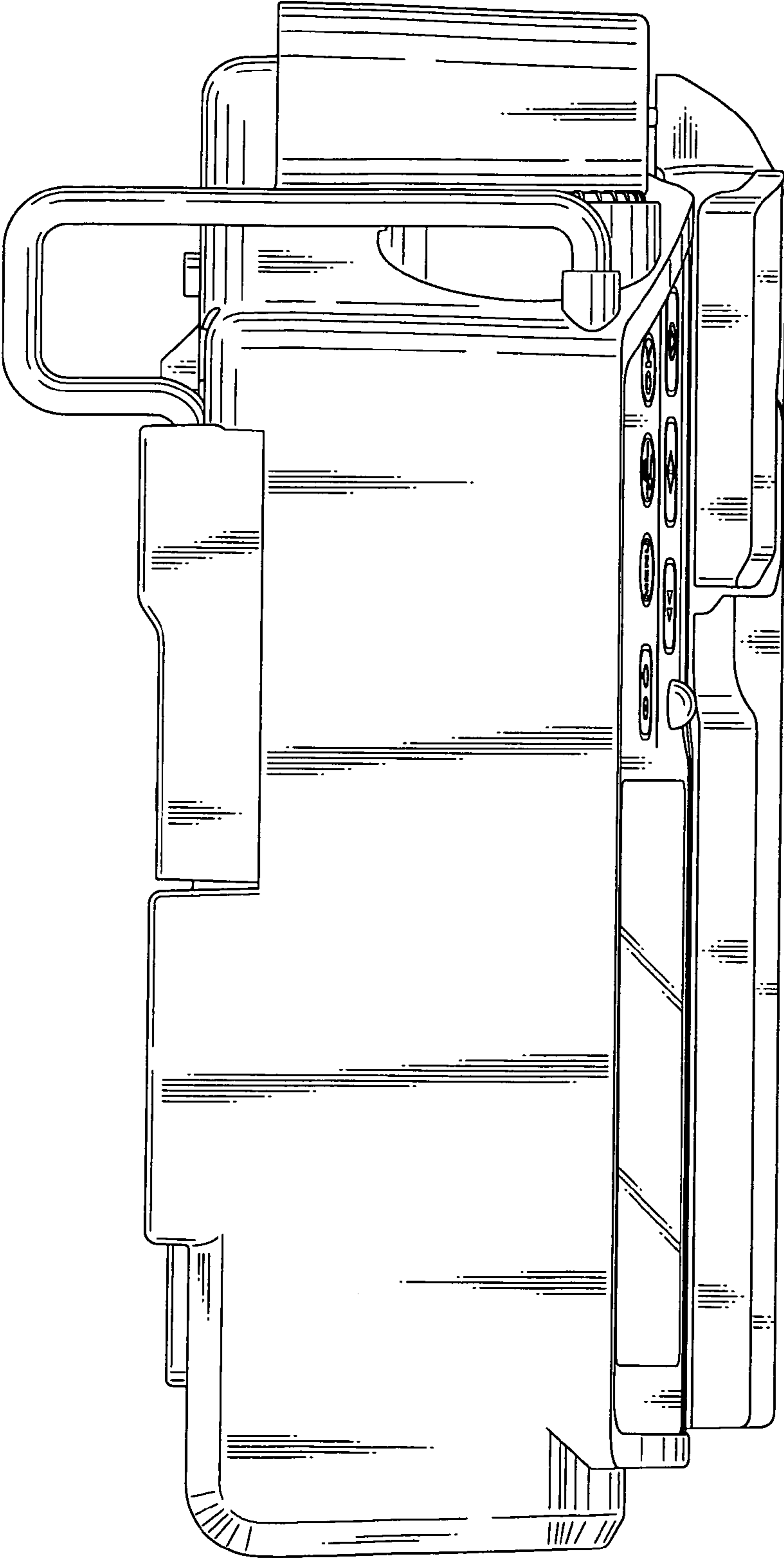


Fig. 5

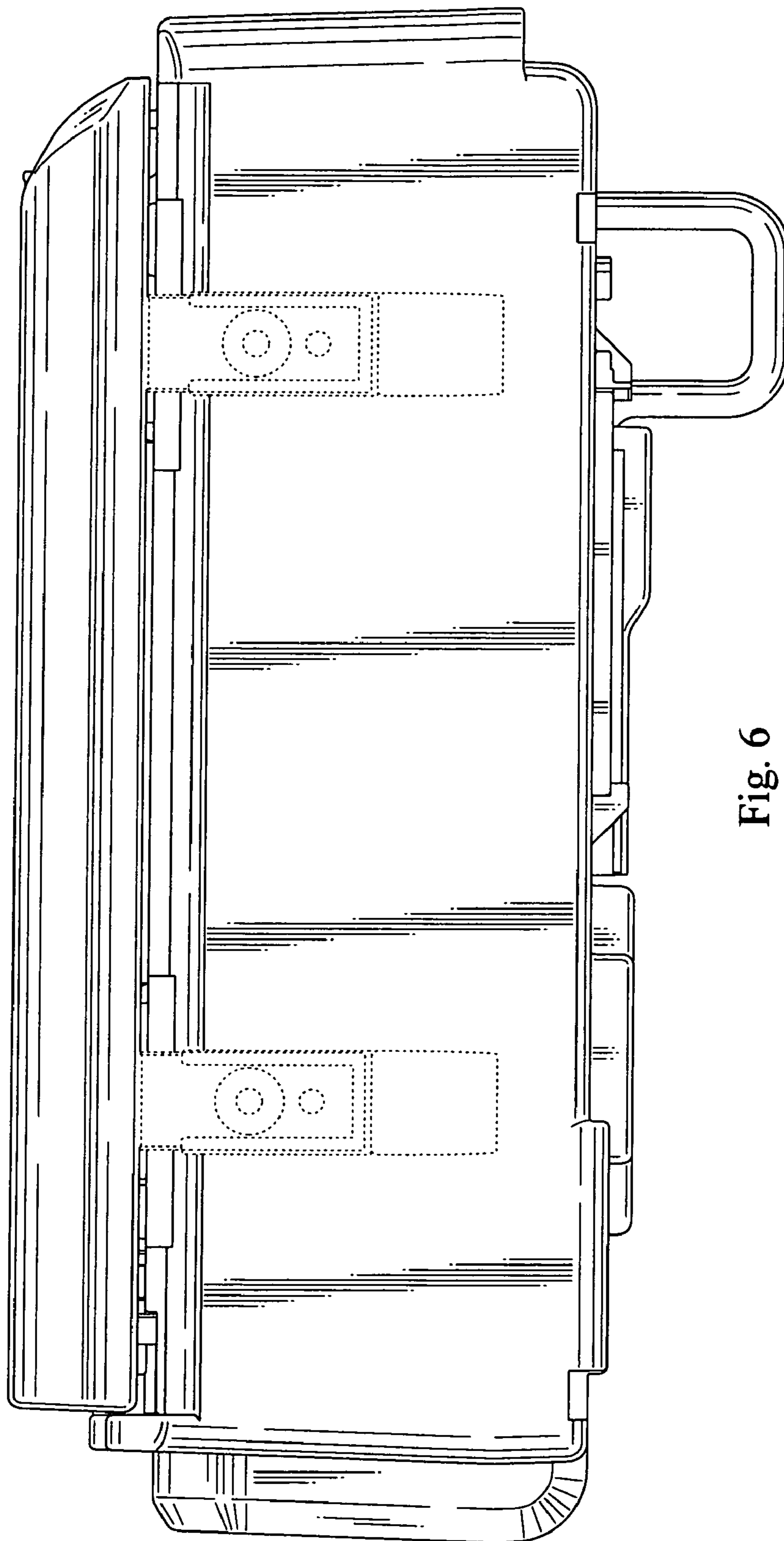


Fig. 6

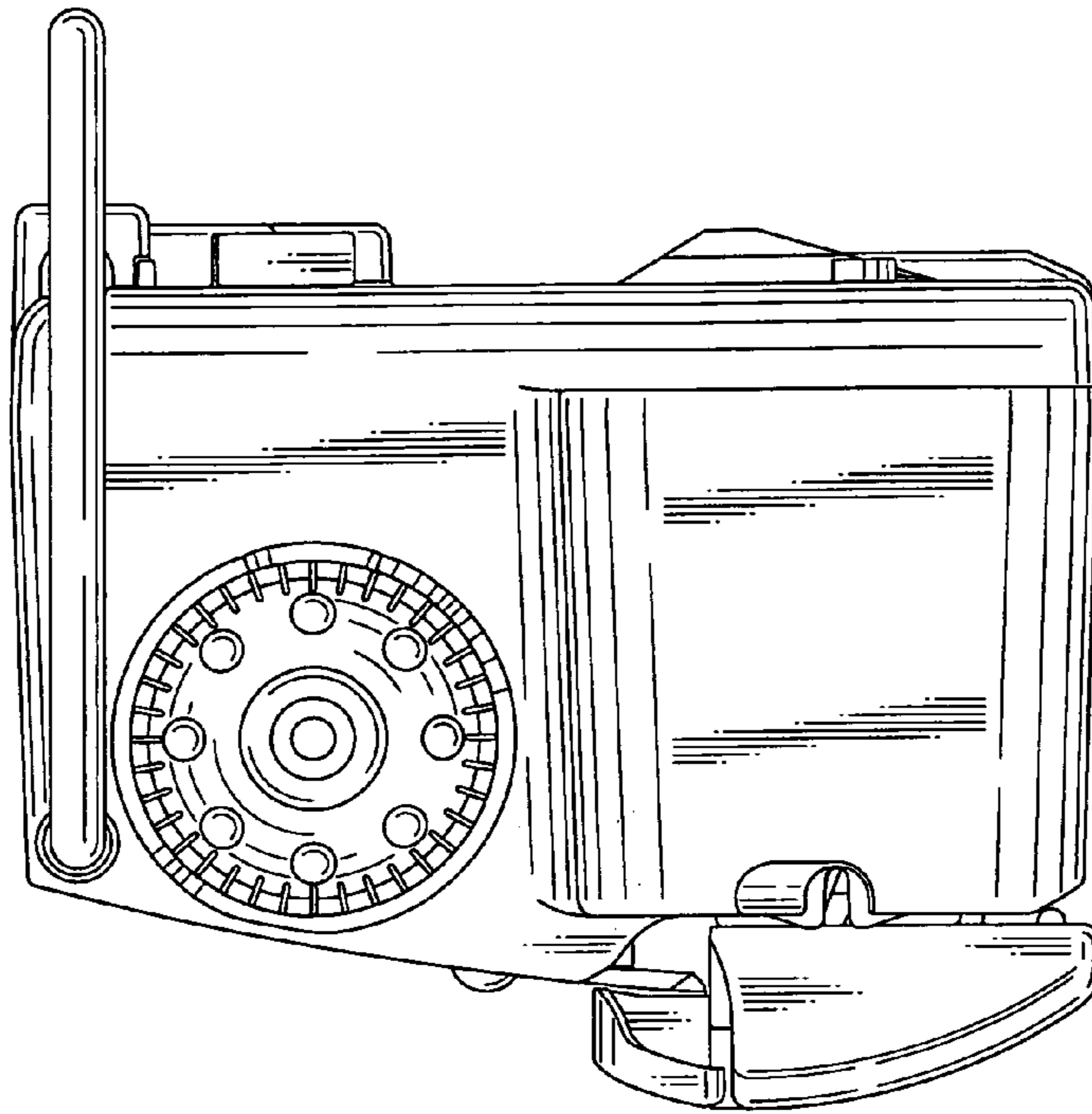


Fig. 8

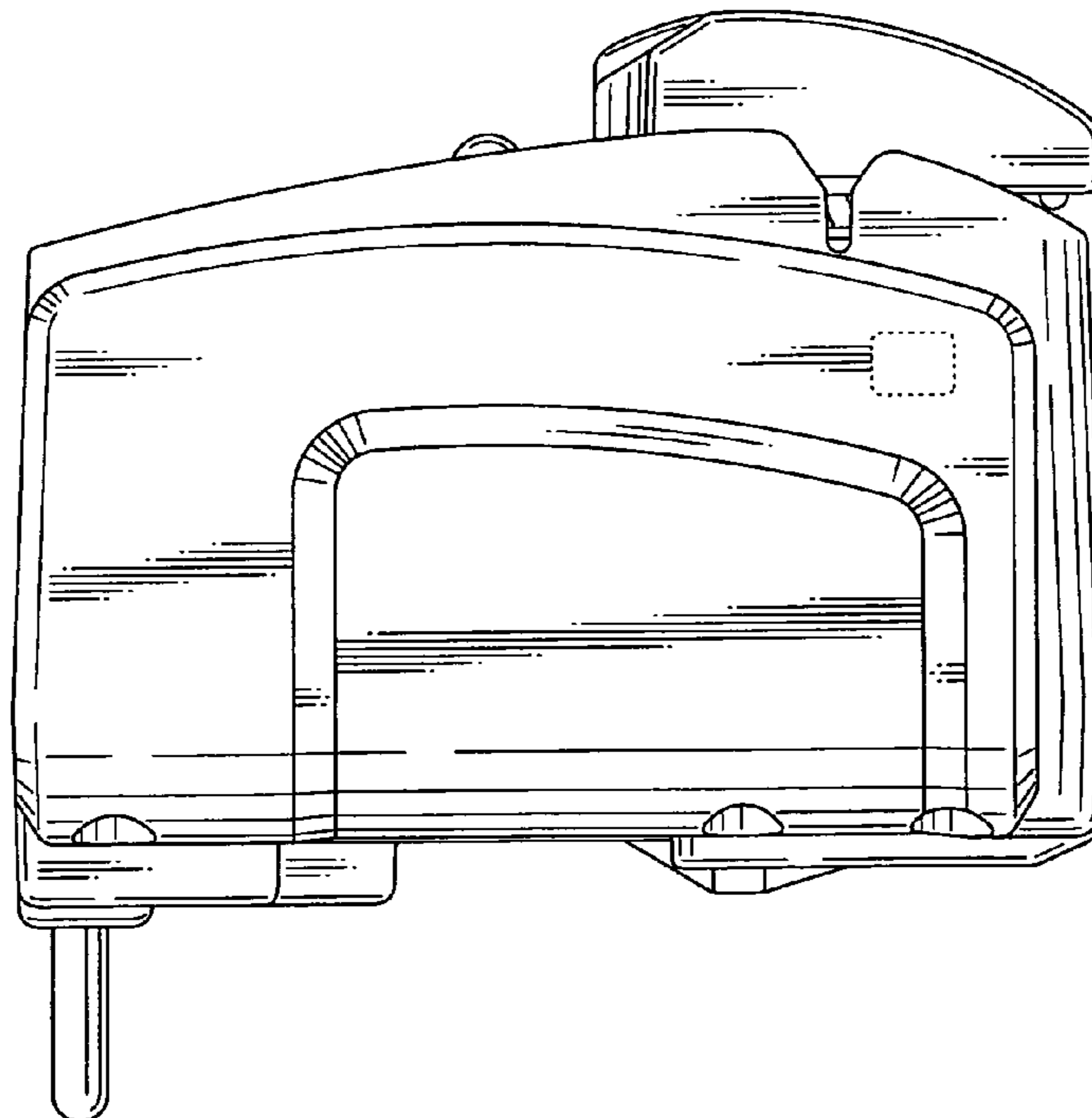


Fig. 7

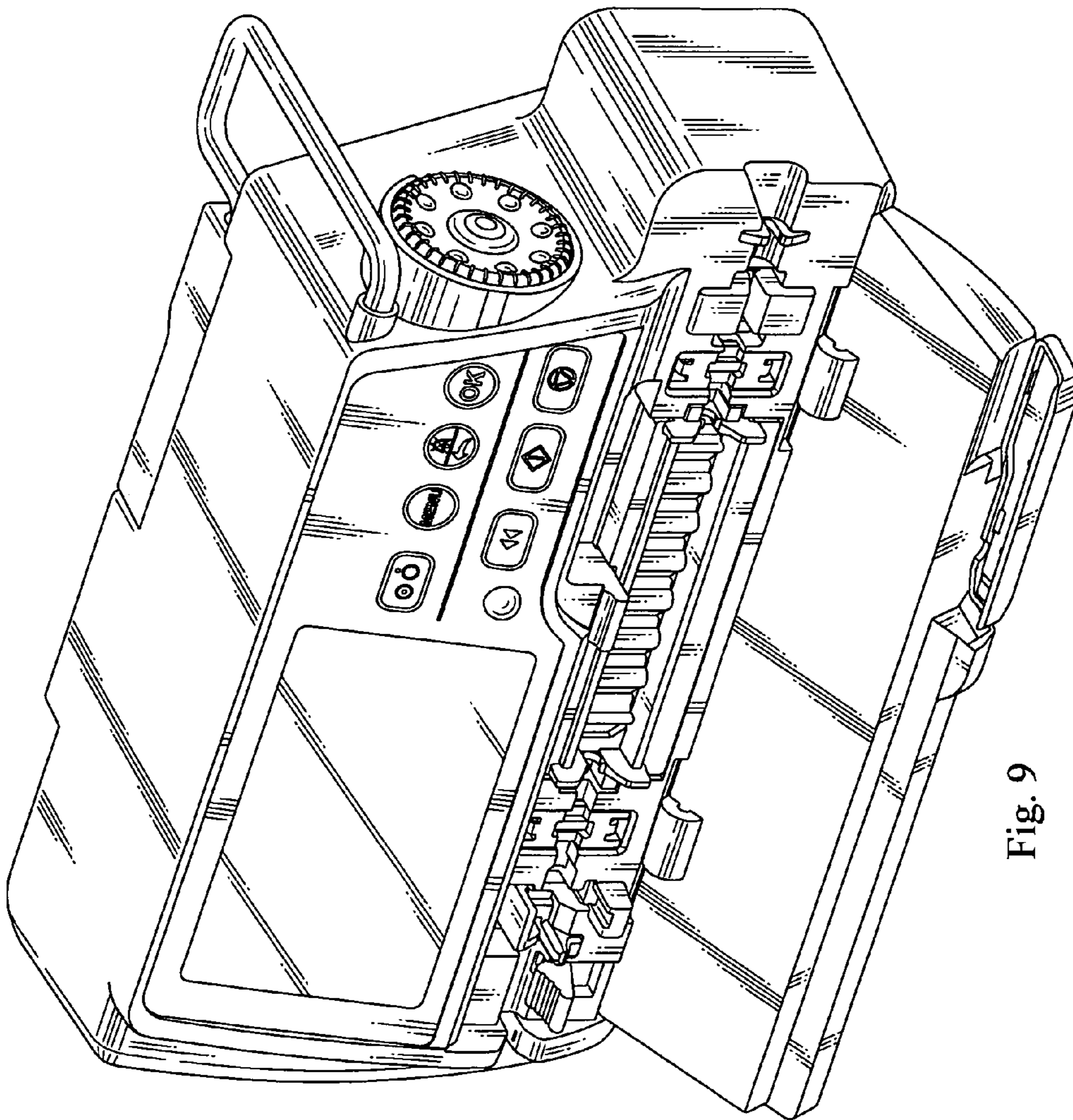


Fig. 9