

US00D669094S

(12) **United States Design Patent**
Chang

(10) **Patent No.:** **US D669,094 S**

(45) **Date of Patent:** **** Oct. 16, 2012**

(54) **HAND OPERATED AIR PUMP FOR TRACTION DEVICE FOR ORTHOPEDIC PURPOSE**

Primary Examiner — Ralf Seifert

(74) *Attorney, Agent, or Firm* — Staas & Halsey LLP

(76) Inventor: **Ki Yong Chang**, Seoul (KR)

(**) Term: **14 Years**

(21) Appl. No.: **29/400,330**

(22) Filed: **Aug. 26, 2011**

(30) **Foreign Application Priority Data**

Jun. 2, 2011 (KR) 30-2011-0022645

(51) **LOC (9) Cl.** **15-02**

(52) **U.S. Cl.** **D15/7**

(58) **Field of Classification Search** D15/7-9;
D23/231, 232, 225; 417/60, 235, 265, 321,
417/355, 358, 363, 359, 410.1, 415-416,
417/405, 900; 60/408, 412; 184/26-37;
415/140-147; 123/495, 509; D24/111, 127
See application file for complete search history.

(56) **References Cited**

U.S. PATENT DOCUMENTS

- D326,910 S * 6/1992 di Palma et al. D24/111
- D358,397 S * 5/1995 Phillips et al. D15/7
- D375,315 S * 11/1996 Paul-Johansson D15/7
- D392,650 S * 3/1998 Zarnowitz D15/7
- D584,320 S * 1/2009 Huang D15/7

* cited by examiner

(57) **CLAIM**

The ornamental design for a hand operated air pump for traction device for orthopedic purpose, as shown and described.

DESCRIPTION

FIG. 1 is a front perspective view of a hand operated air pump for traction device for orthopedic purpose;
 FIG. 2 is a front elevation view of the hand operated air pump for traction device for orthopedic purpose of FIG. 1;
 FIG. 3 is a rear elevation view of the hand operated air pump for traction device for orthopedic purpose of FIG. 1;
 FIG. 4 is a left side view of the hand operated air pump for traction device for orthopedic purpose of FIG. 1;
 FIG. 5 is a right side view of the hand operated air pump for traction device for orthopedic purpose of FIG. 1;
 FIG. 6 is a top plan view of the hand operated air pump for traction device for orthopedic purpose of FIG. 1;
 FIG. 7 is a bottom plan view of the hand operated air pump for traction device for orthopedic purpose of FIG. 1; and,
 FIG. 8 is another front perspective view of the hand operated air pump for traction device for orthopedic purpose of FIG. 1 in actual use with its cylinder pulled down for air pumping.

1 Claim, 7 Drawing Sheets

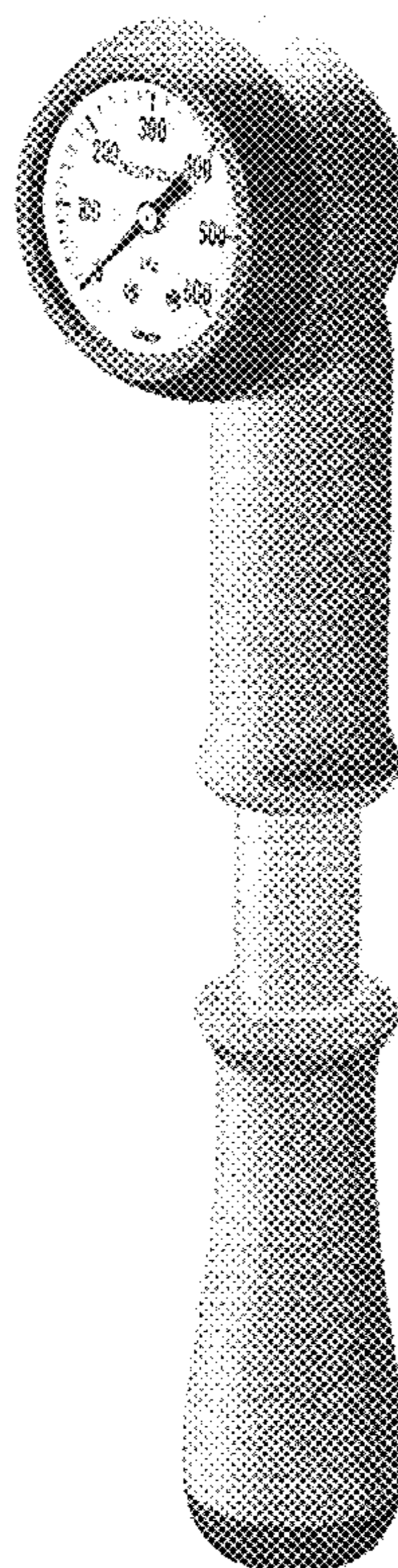


FIG. 1

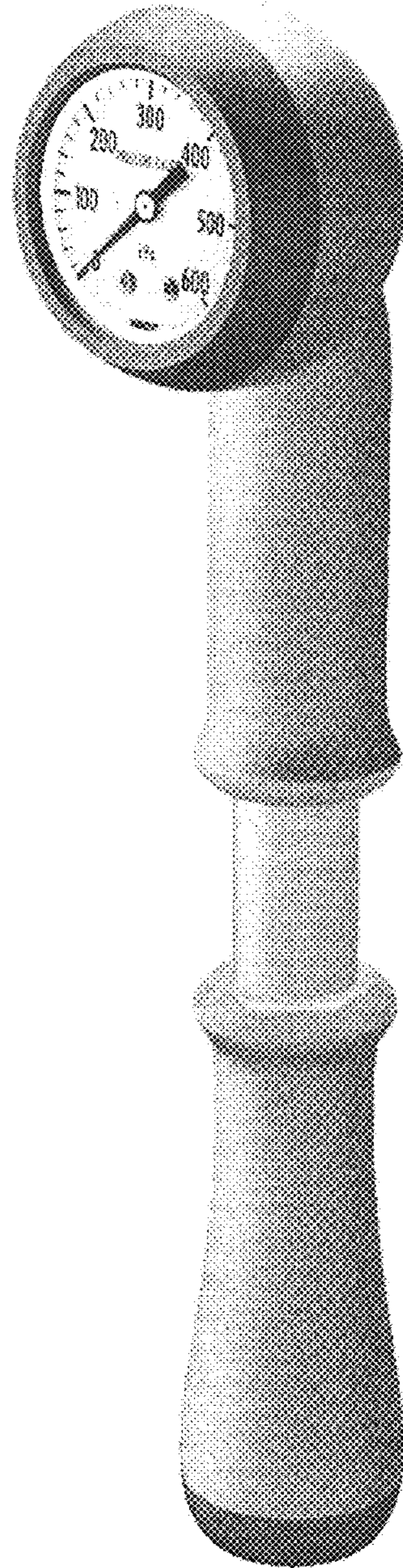


FIG. 2

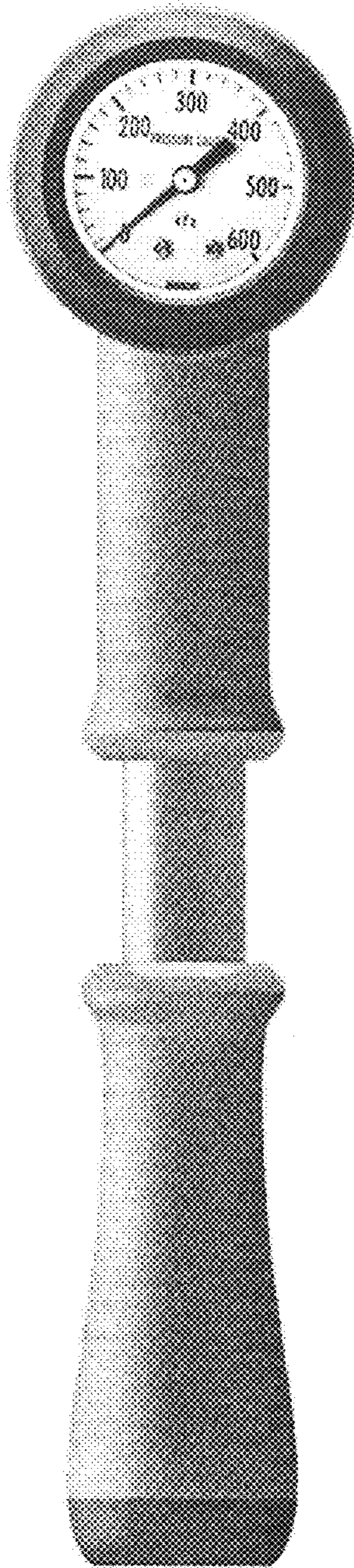


FIG. 3

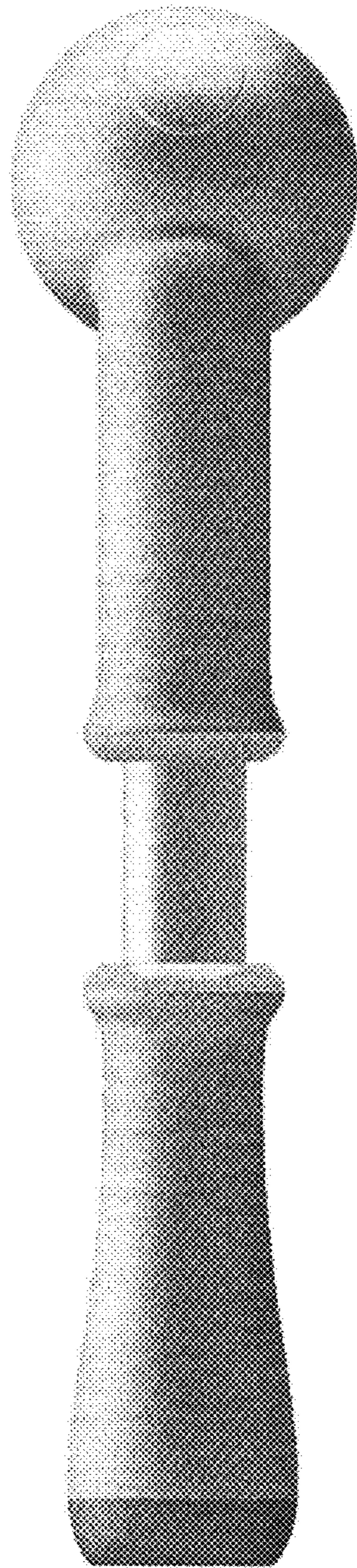


FIG. 4

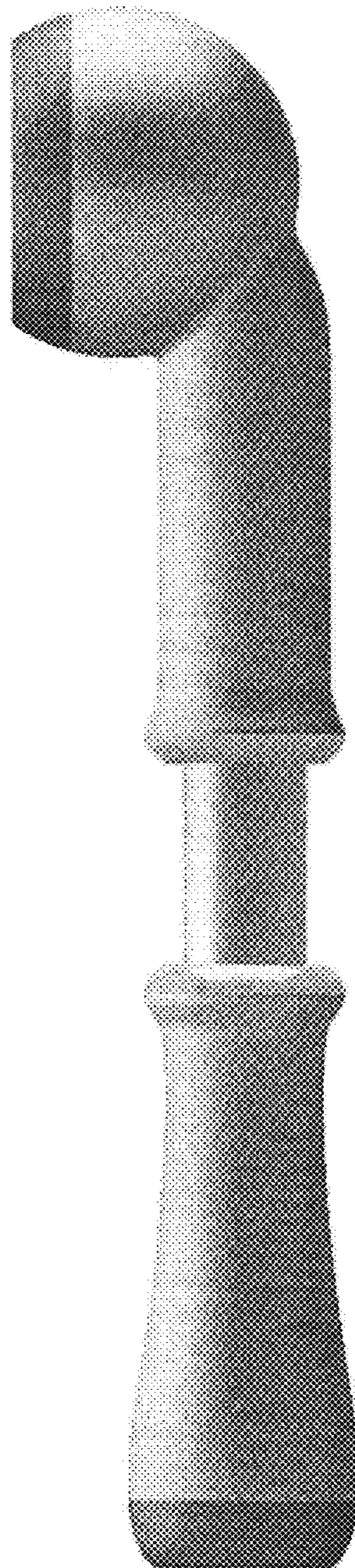


FIG. 5

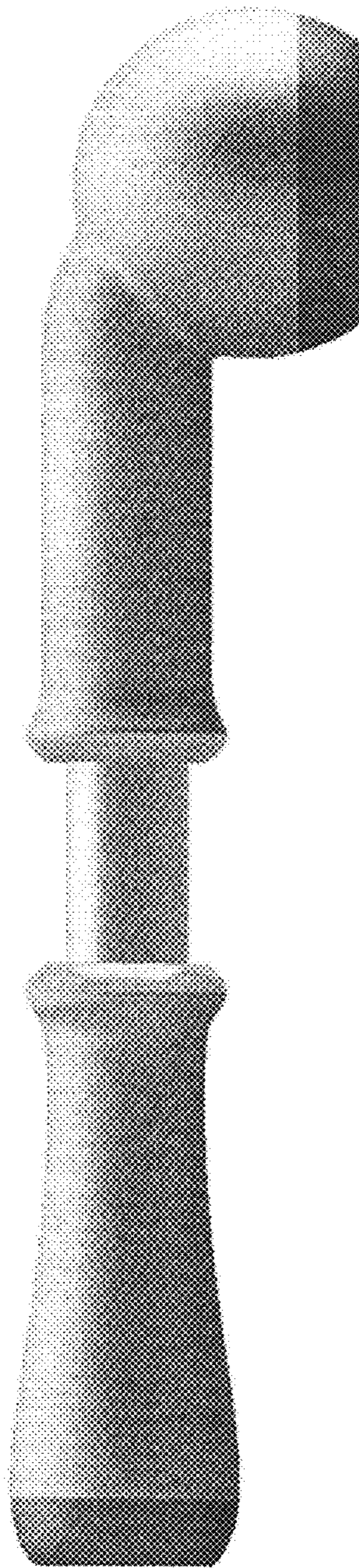


FIG. 6

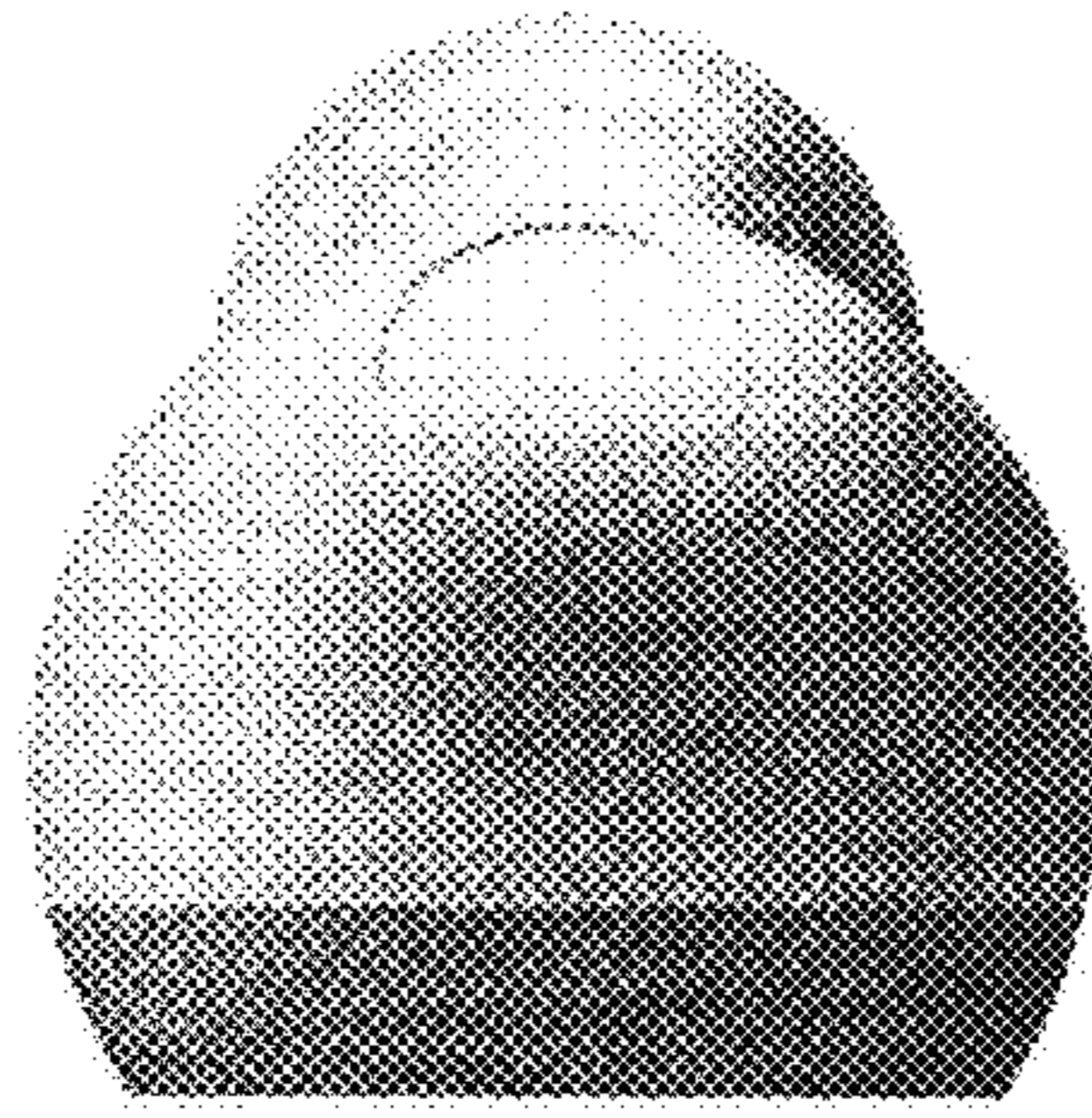


FIG. 7

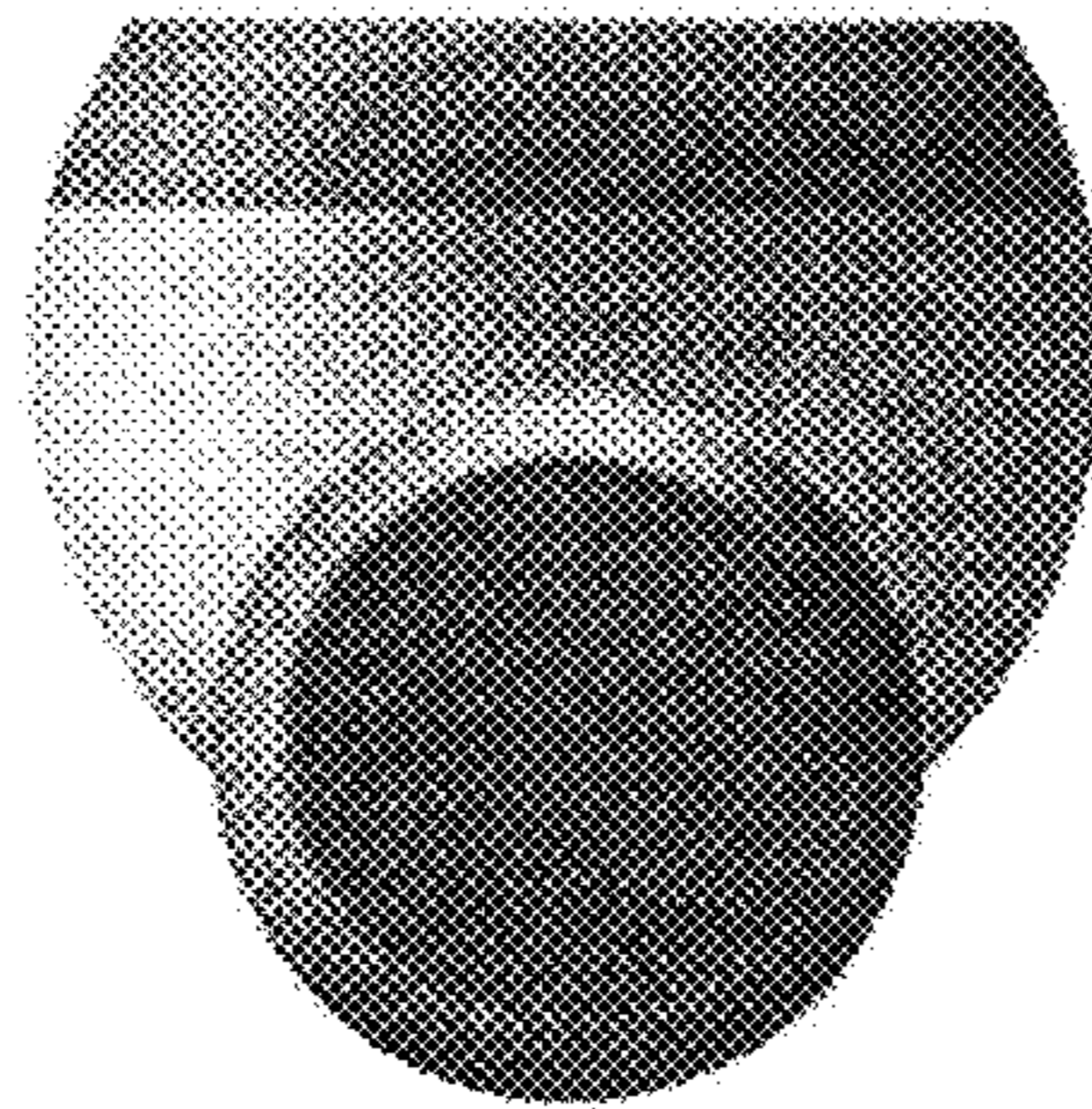


FIG. 8

