



US00D669081S

(12) **United States Design Patent**  
**Iwai et al.**

(10) **Patent No.:** **US D669,081 S**  
(45) **Date of Patent:** **\*\* Oct. 16, 2012**

(54) **SCANNER**

(75) Inventors: **Nobuyuki Iwai**, Chita-gun (JP); **Kil Jihoon**, Nagoya (JP)

(73) Assignee: **Brother Industries, Ltd.**, Nagoya (JP)

(\*\*) Term: **14 Years**

(21) Appl. No.: **29/414,883**

(22) Filed: **Mar. 5, 2012**

(30) **Foreign Application Priority Data**

Sep. 7, 2011 (JP) ..... 2011-20399

(51) **LOC (9) Cl.** ..... **14-02**

(52) **U.S. Cl.** ..... **D14/422; D14/453**

(58) **Field of Classification Search** ..... D14/420-425,  
D14/462-470, 389, 125, 399, 453; D18/50,  
D18/54, 55, 53, 36-39, 14, 18-21, 49, 52,  
D18/51, 54.4; 358/400, 401, 448, 474, 486-488,  
358/496; 382/312, 317, 321, 315; 400/613,  
400/613.1-613.4, 690.1-690.4, 691-694,  
400/88, 175; 399/107, 379, 380, 211, 212;  
235/462.11, 462.41, 472.01, 470, 462.43;  
361/680, 681; D15/146; 271/209, 161, 188  
See application file for complete search history.

(56) **References Cited**

**U.S. PATENT DOCUMENTS**

D315,360 S \* 3/1991 Tokuda et al. .... D18/54  
D315,361 S \* 3/1991 Kojima et al. .... D18/55  
D348,054 S \* 6/1994 Minasian et al. .... D14/425  
D399,524 S \* 10/1998 Nakajima ..... D18/50  
D401,271 S \* 11/1998 Nakajima ..... D18/55  
D414,508 S \* 9/1999 Pangburn ..... D18/55  
D419,591 S \* 1/2000 Pangburn ..... D18/55  
D420,663 S \* 2/2000 Goldenberg et al. .. D14/138 AB  
D422,570 S \* 4/2000 Kobayashi ..... D14/509  
D424,099 S \* 5/2000 Pangburn ..... D18/50  
D432,565 S \* 10/2000 Gassett et al. .... D18/55  
D435,266 S \* 12/2000 Sekine et al. .... D18/55  
D438,894 S \* 3/2001 Bishop et al. .... D18/55

D438,895 S \* 3/2001 Pangburn ..... D18/55  
6,231,043 B1 \* 5/2001 James et al. .... 271/209  
D443,878 S \* 6/2001 Sakata et al. .... D14/422  
D446,306 S \* 8/2001 Ochi et al. .... D24/186  
D454,583 S \* 3/2002 Whitby et al. .... D18/50  
D463,485 S \* 9/2002 Yoshida et al. .... D18/50  
D466,552 S \* 12/2002 Hwang et al. .... D18/55  
D483,059 S \* 12/2003 Goh et al. .... D18/50  
6,676,318 B2 \* 1/2004 Hwang et al. .... 400/693  
D486,178 S \* 2/2004 Wong et al. .... D18/55  
D489,401 S \* 5/2004 Senshiki et al. .... D18/54  
6,786,665 B2 \* 9/2004 Hwang et al. .... 400/693  
D497,940 S \* 11/2004 Hwang et al. .... D18/50  
D499,759 S \* 12/2004 Kobayashi et al. .... D18/55  
6,848,685 B2 \* 2/2005 Katsuyama ..... 271/162  
6,899,474 B2 \* 5/2005 Uchida et al. .... 400/27  
D518,826 S \* 4/2006 Chujou et al. .... D14/422  
7,029,113 B2 \* 4/2006 Hwang ..... 347/108  
D523,469 S \* 6/2006 Hwang et al. .... D18/50  
D524,851 S \* 7/2006 Wong et al. .... D18/55  
D533,897 S \* 12/2006 Workman et al. .... D18/34.3  
D543,583 S \* 5/2007 Workman et al. .... D18/34.3  
D549,705 S \* 8/2007 Sugitani et al. .... D14/422  
7,431,447 B2 \* 10/2008 Jensen ..... 347/108  
D579,972 S \* 11/2008 Meda et al. .... D18/50  
D583,060 S \* 12/2008 Kitamura et al. .... D24/165  
D601,259 S \* 9/2009 Guthrie et al. .... D24/169

(Continued)

*Primary Examiner* — Susan Moon Lee

(74) *Attorney, Agent, or Firm* — Oliff & Berridge, PLC

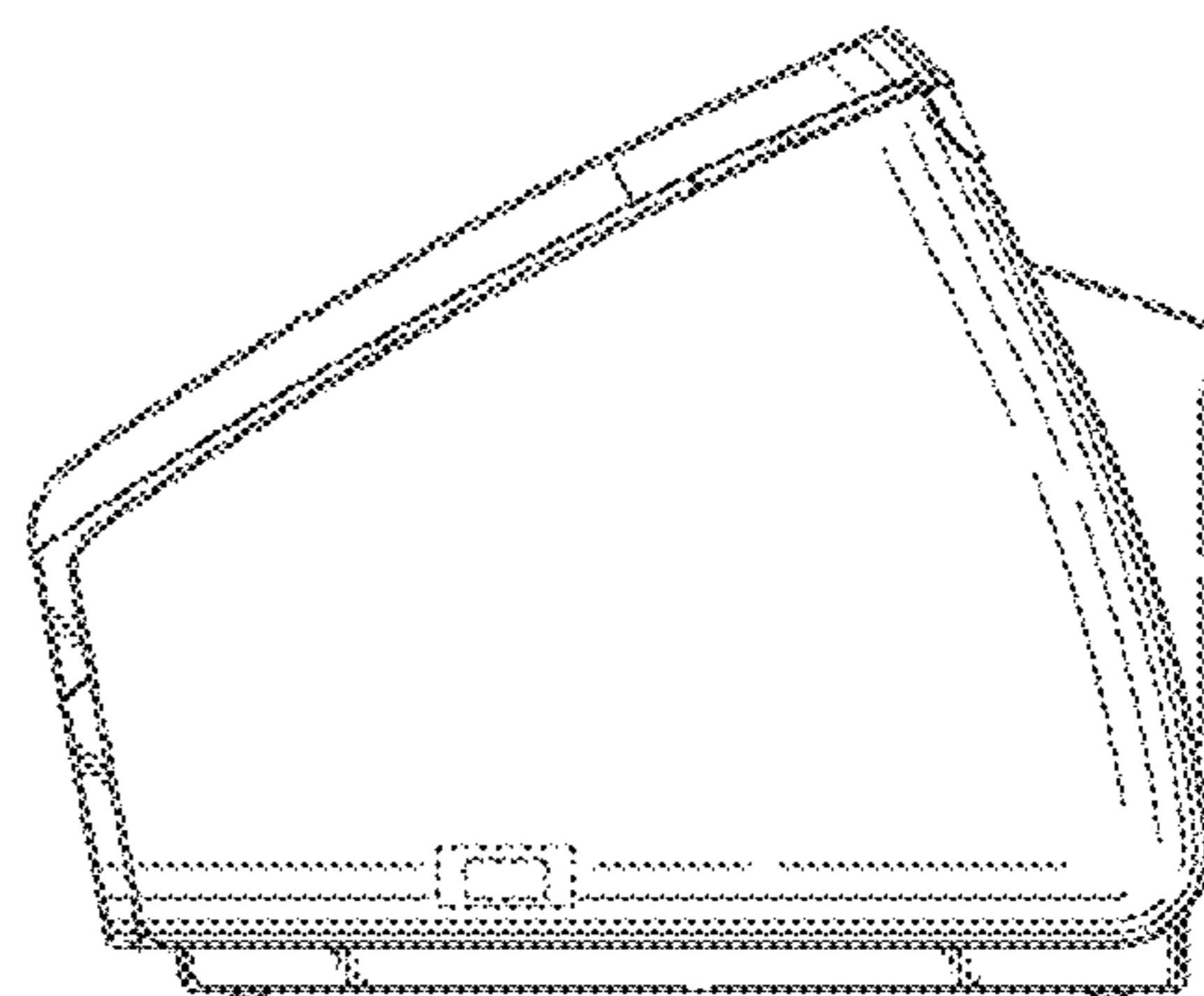
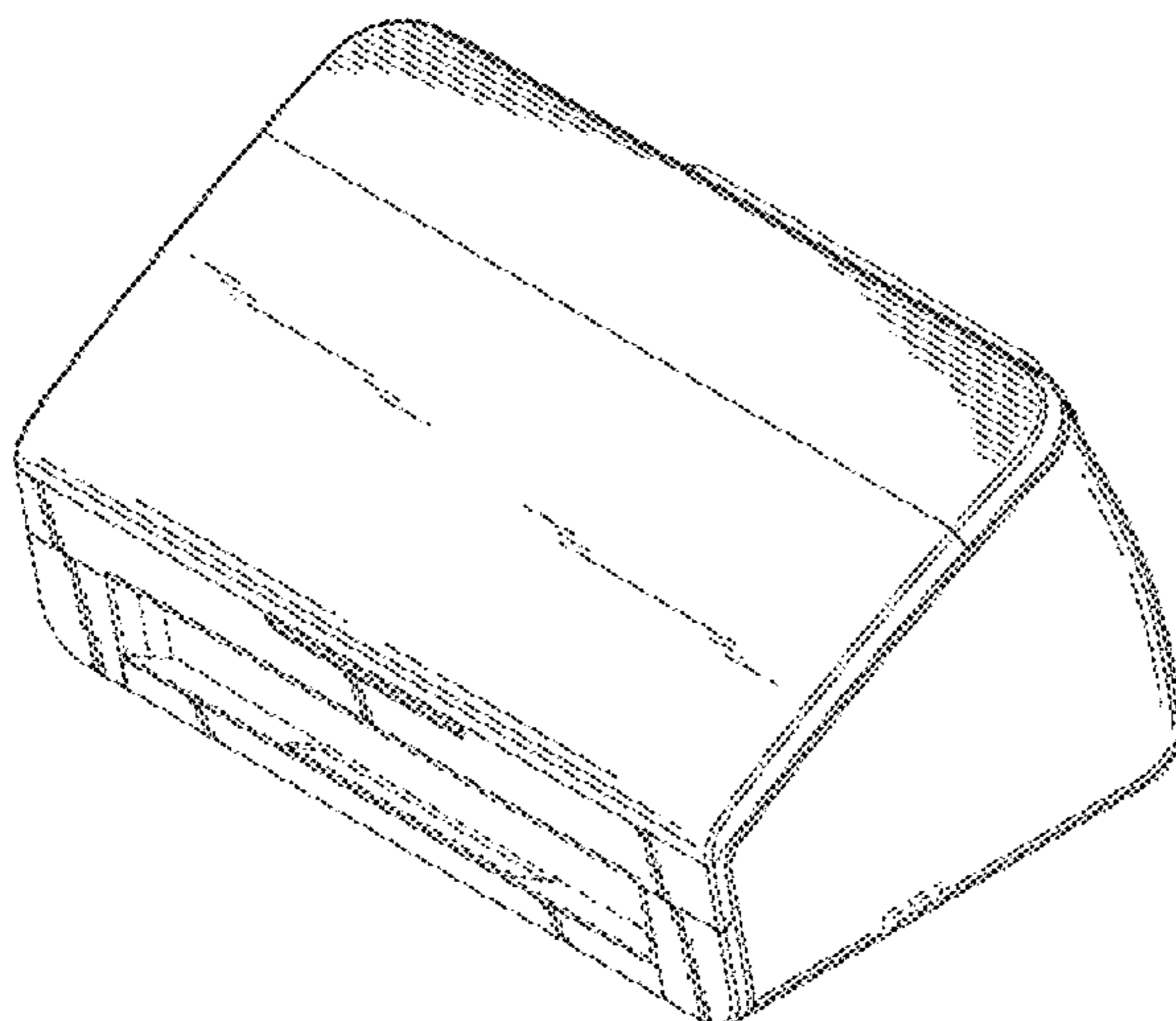
(57) **CLAIM**

The ornamental design for a scanner, as shown and described.

**DESCRIPTION**

FIG. 1 is a perspective view of a scanner;  
FIG. 2 is a front view thereof;  
FIG. 3 is a top view thereof;  
FIG. 4 is a right-side view thereof;  
FIG. 5 is a left-side view thereof;  
FIG. 6 is a rear view thereof; and,  
FIG. 7 is a bottom view thereof.  
The broken line portions are not claimed.

**1 Claim, 6 Drawing Sheets**



# US D669,081 S

Page 2

---

## U.S. PATENT DOCUMENTS

D610,146 S *	2/2010	Kuroda et al. ....	D14/422	D632,295 S *	2/2011	Kuroda .....	D14/422
D610,147 S *	2/2010	Kuroda et al. ....	D14/422	D642,179 S *	7/2011	Kuroda et al. ....	D14/422
D610,148 S *	2/2010	Kuroda et al. ....	D14/422	8,169,669 B2 *	5/2012	Yoshida et al. ....	358/471
D610,149 S *	2/2010	Kuroda et al. ....	D14/422	2003/0206762 A1 *	11/2003	Hwang et al. ....	400/693
D616,889 S *	6/2010	Kuroda et al. ....	D14/422				

\* cited by examiner

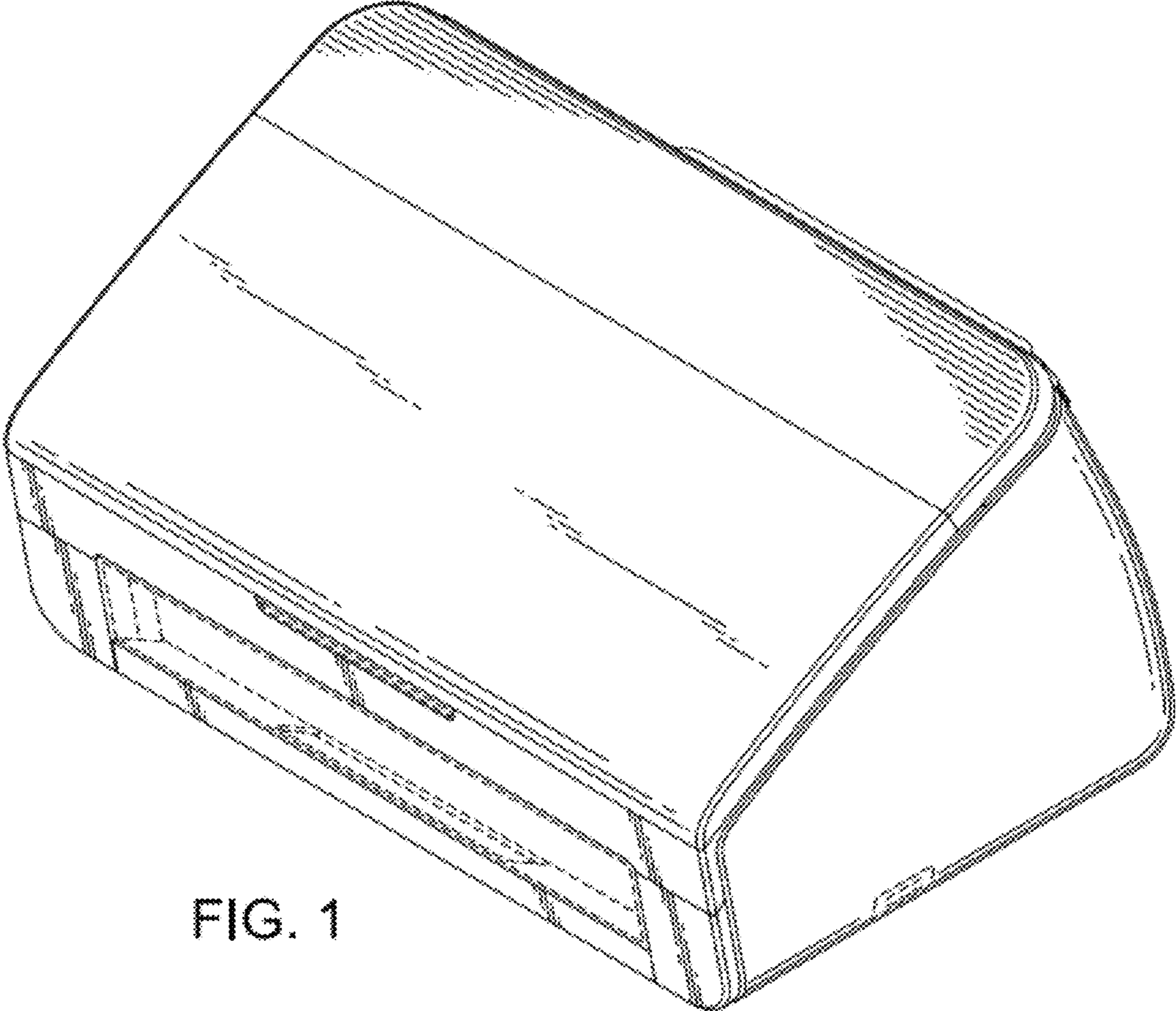


FIG. 1

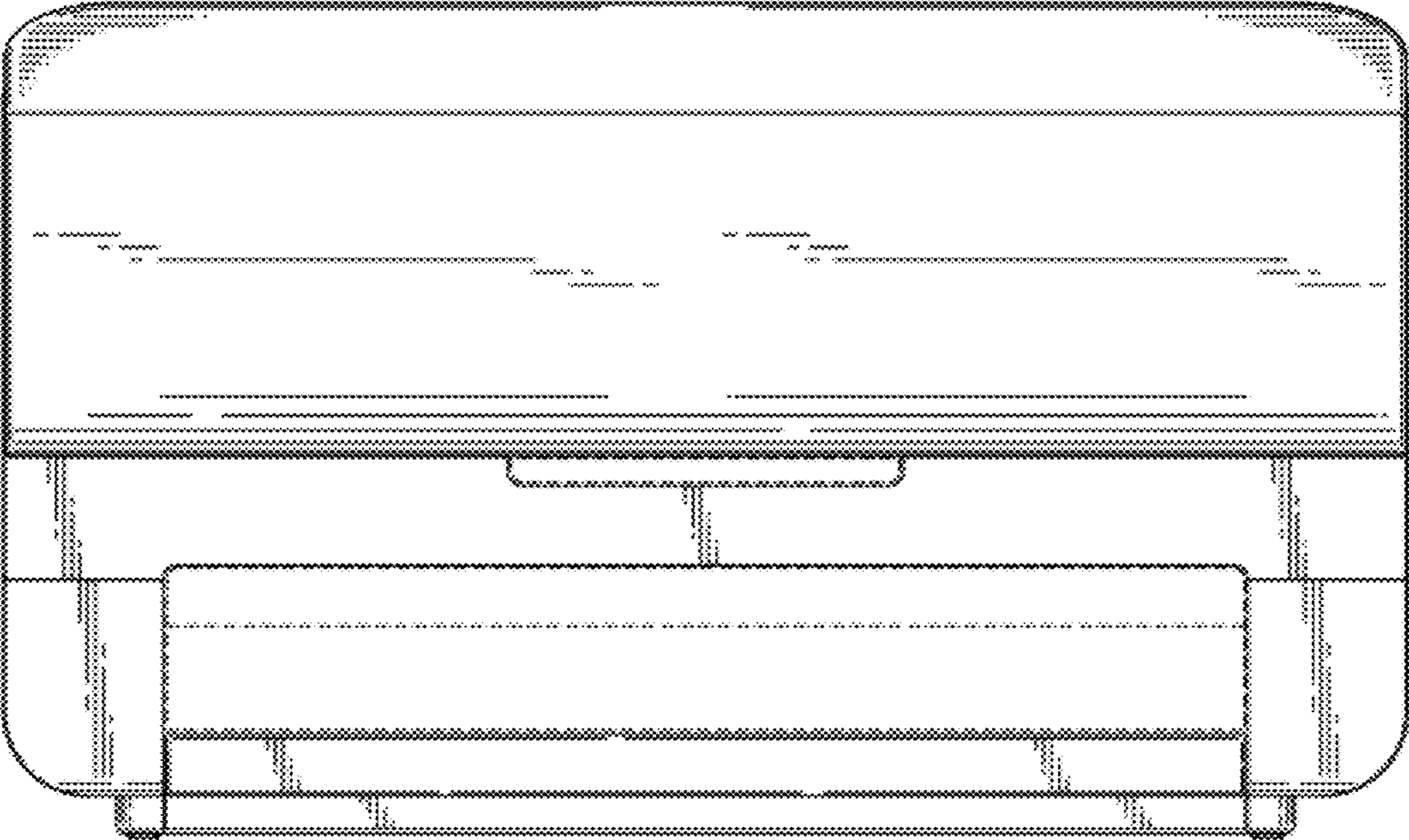


FIG. 2

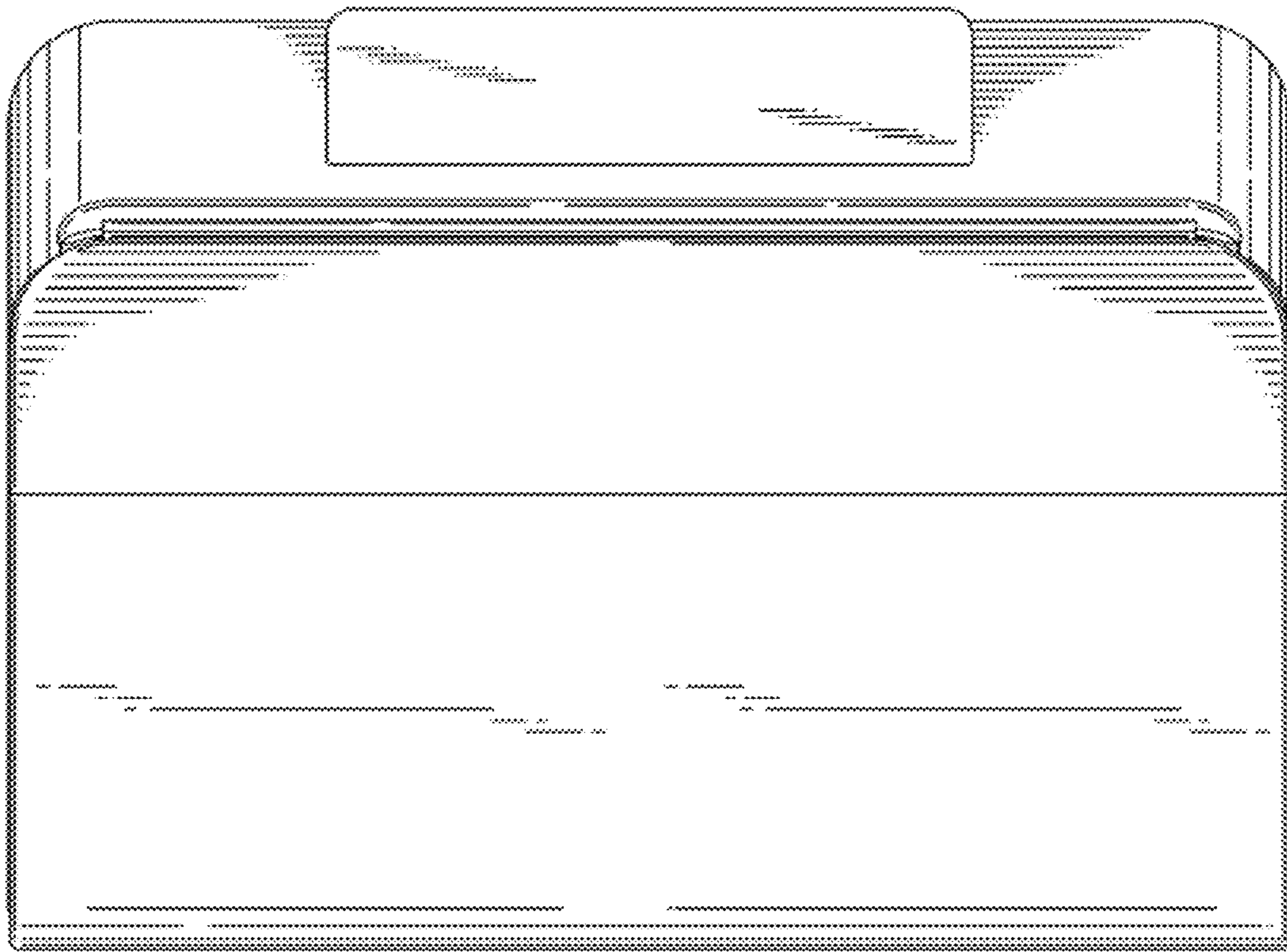


FIG. 3

FIG. 4

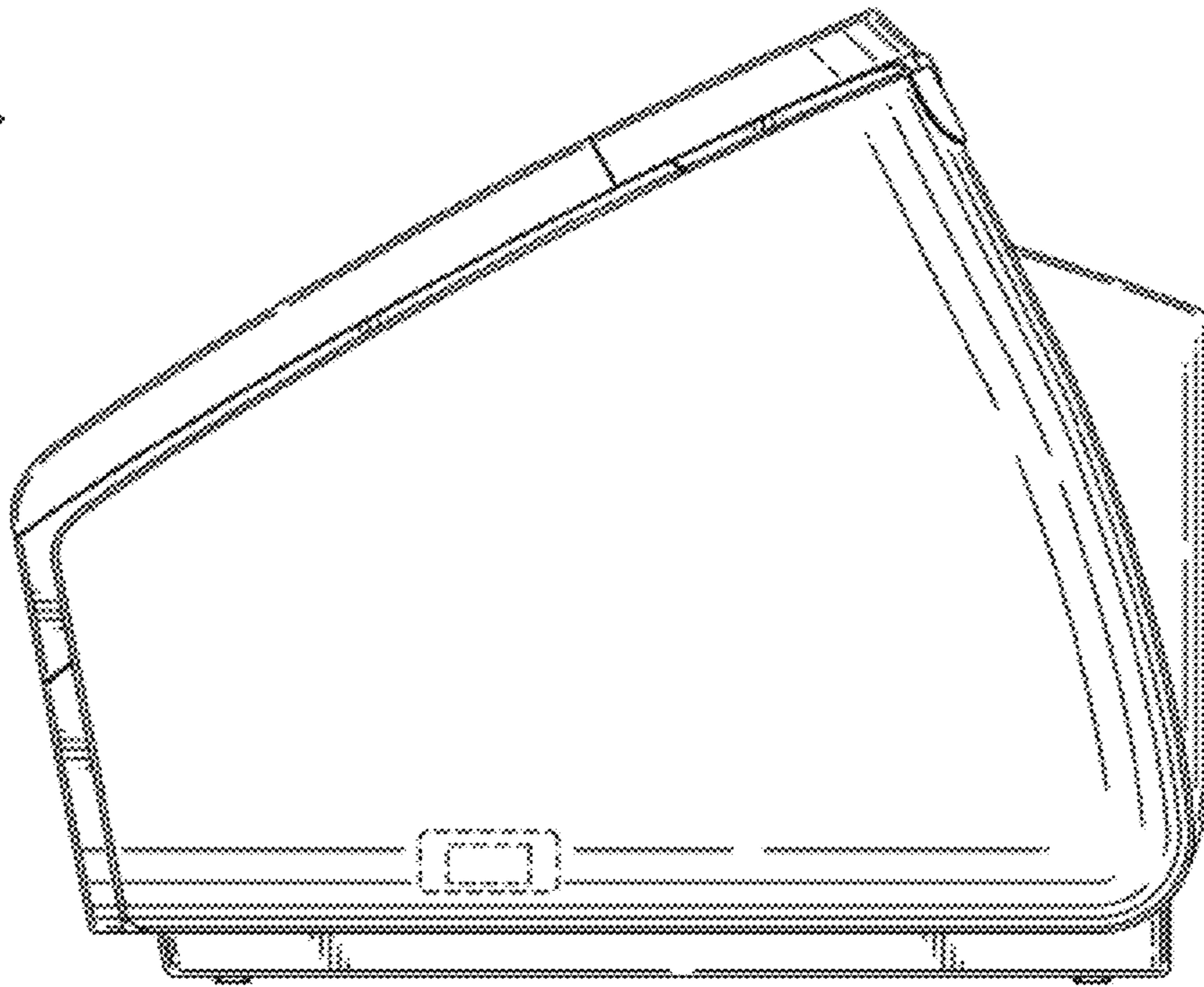
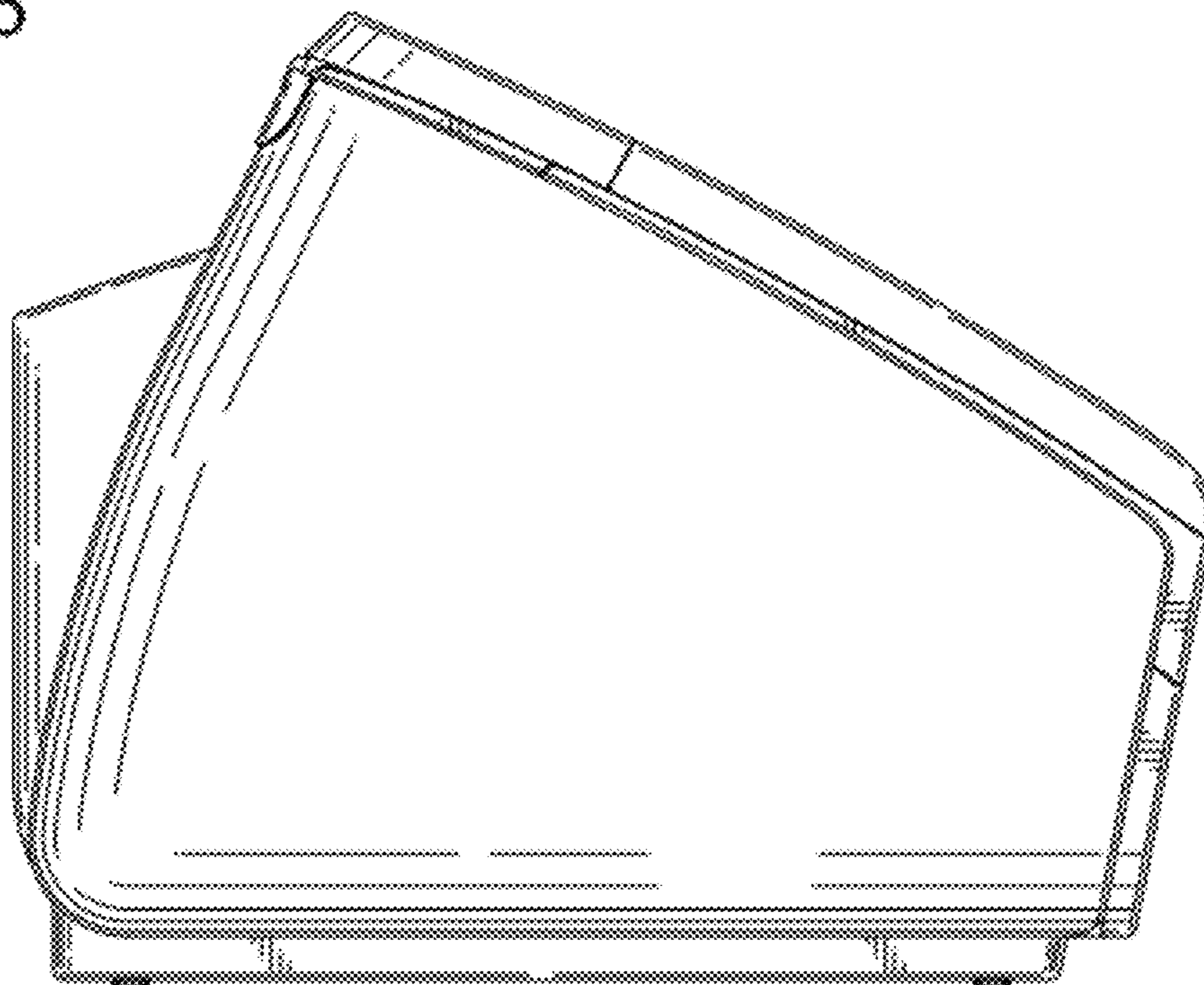


FIG. 5



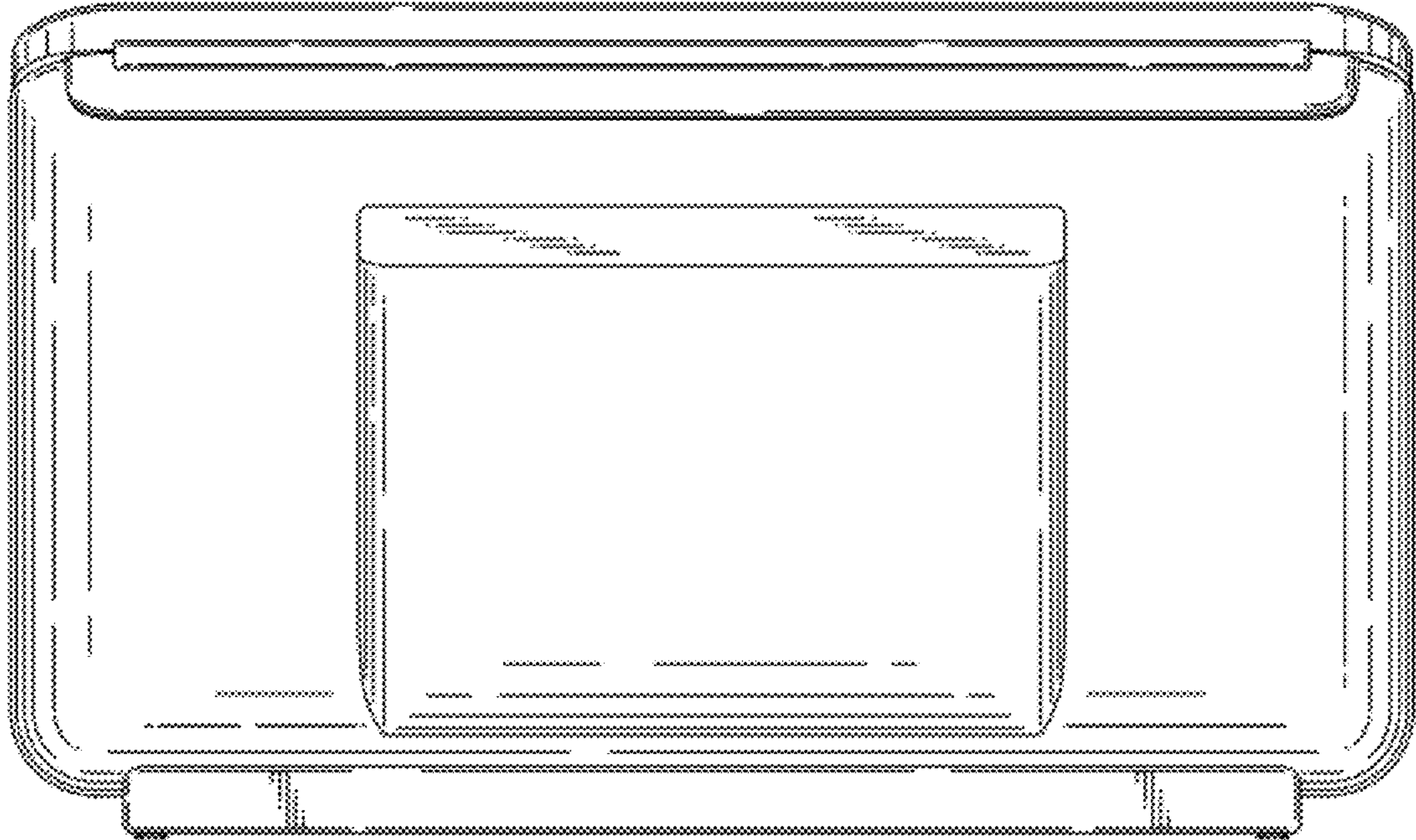


FIG. 6

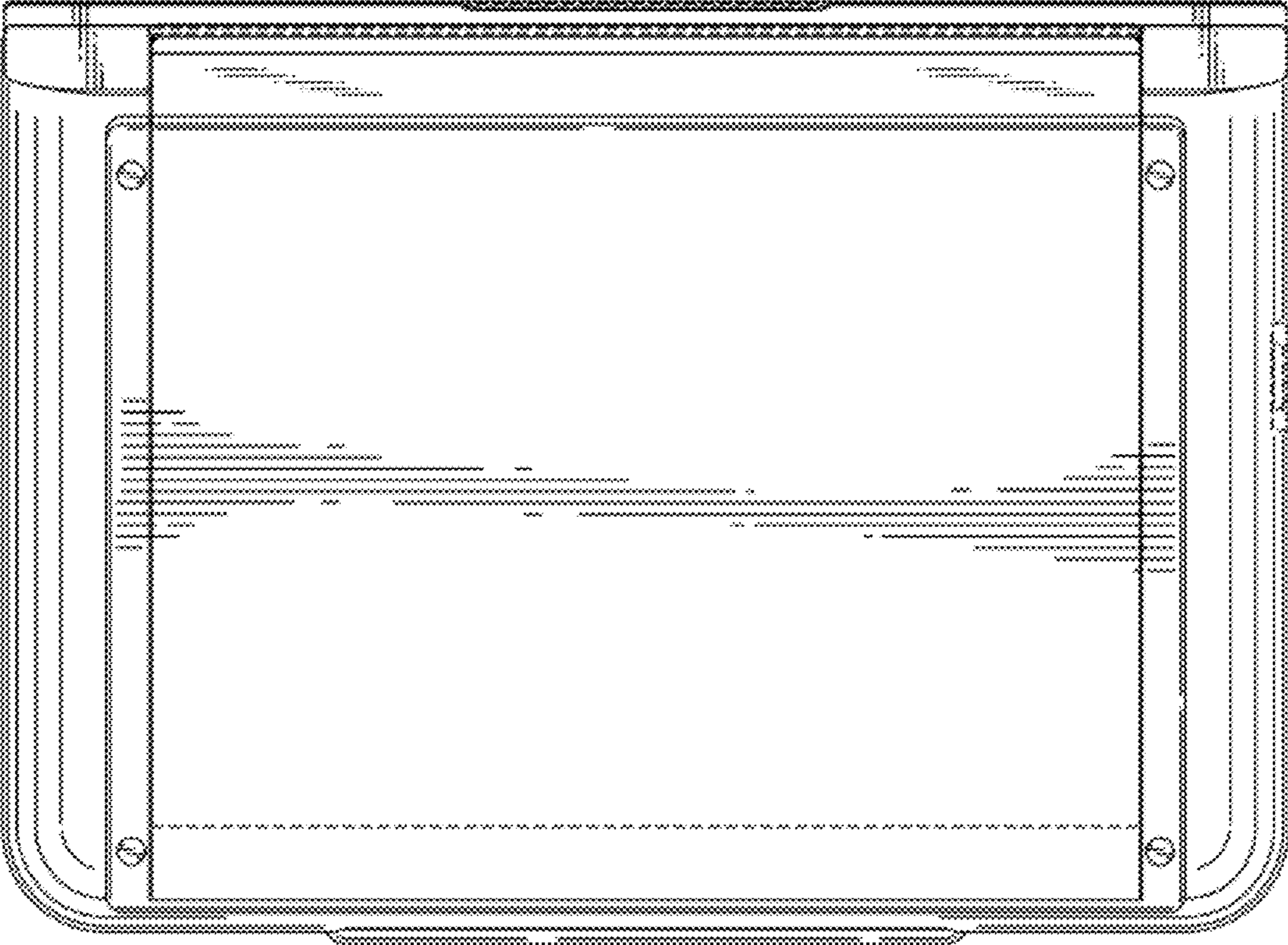


FIG. 7