

US00D669077S

(12) **United States Design Patent**
McManigal et al.

(10) **Patent No.:** **US D669,077 S**

(45) **Date of Patent:** **** Oct. 16, 2012**

(54) **ALL IN ONE DISPLAY SCREEN**
(75) Inventors: **Scott Paul McManigal**, Newport Beach, CA (US); **Cory Worth**, Ladera Ranch, CA (US)

(73) Assignee: **Vizio Inc.**, Irvine, CA (US)

(**) Term: **14 Years**

(21) Appl. No.: **29/412,452**

(22) Filed: **Feb. 3, 2012**

(51) **LOC (9) Cl.** **14-02**

(52) **U.S. Cl.** **D14/374**

(58) **Field of Classification Search** D14/371-376,
D14/125-129, 317, 331, 336, 337, 341, 383-385;
D6/308; D10/20; 248/917-924, 176.1, 278.1;
345/104, 156, 173, 174, 901-905; 348/180,
348/184, 325, 739; 361/679.08, 679.21,
361/679.23; 349/1, 2, 11

See application file for complete search history.

(56) **References Cited**

U.S. PATENT DOCUMENTS

D541,278 S * 4/2007 Hsu et al. D14/375
D556,755 S * 12/2007 Lee et al. D14/375
D624,036 S * 9/2010 Lee et al. D14/126

D624,512 S * 9/2010 Kim et al. D14/126
D638,390 S * 5/2011 Honda D14/126
D641,329 S * 7/2011 Zhang D14/126
2002/0020792 A1 * 2/2002 Lee 248/278.1
2006/0237599 A1 * 10/2006 Ternus et al. 248/176.1

* cited by examiner

Primary Examiner — Freda S Nunn

(74) *Attorney, Agent, or Firm* — Law Office of Scott C. Harris, Inc.

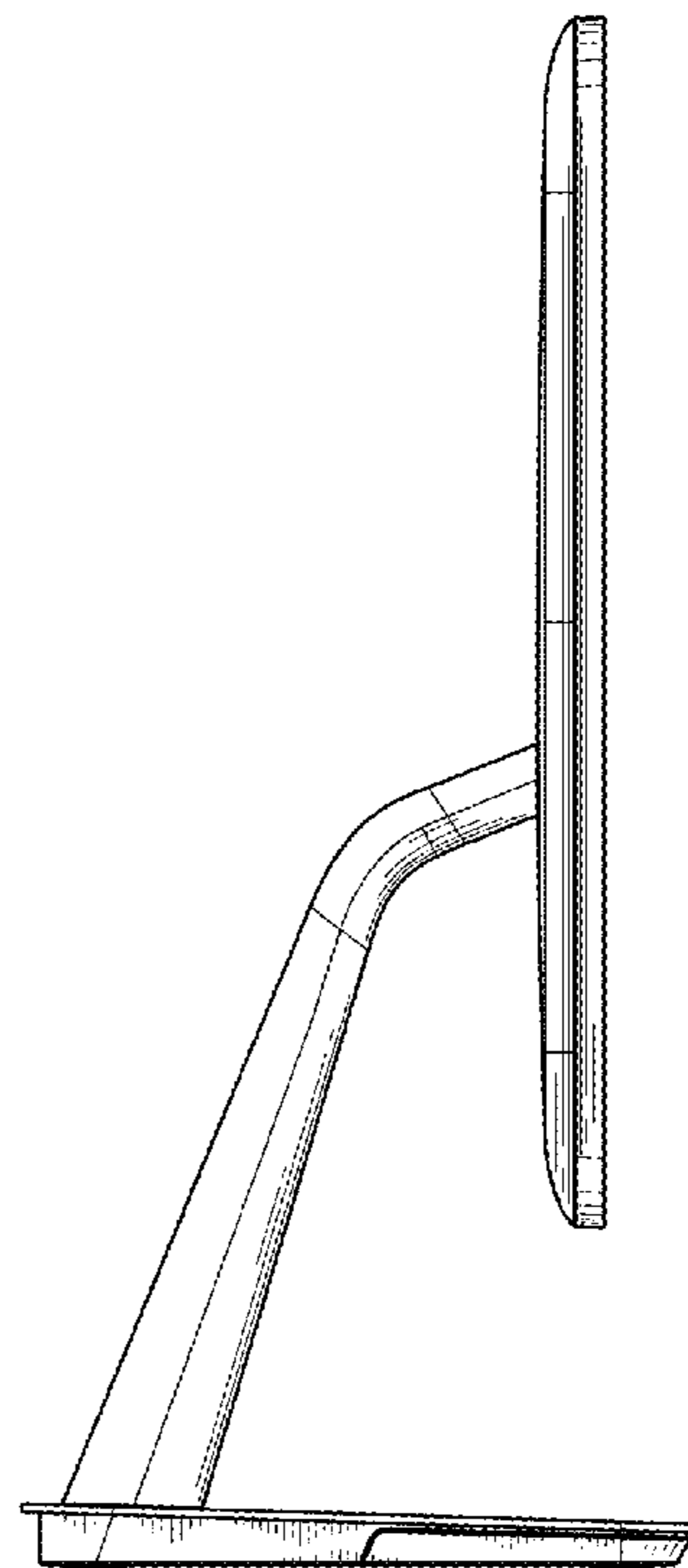
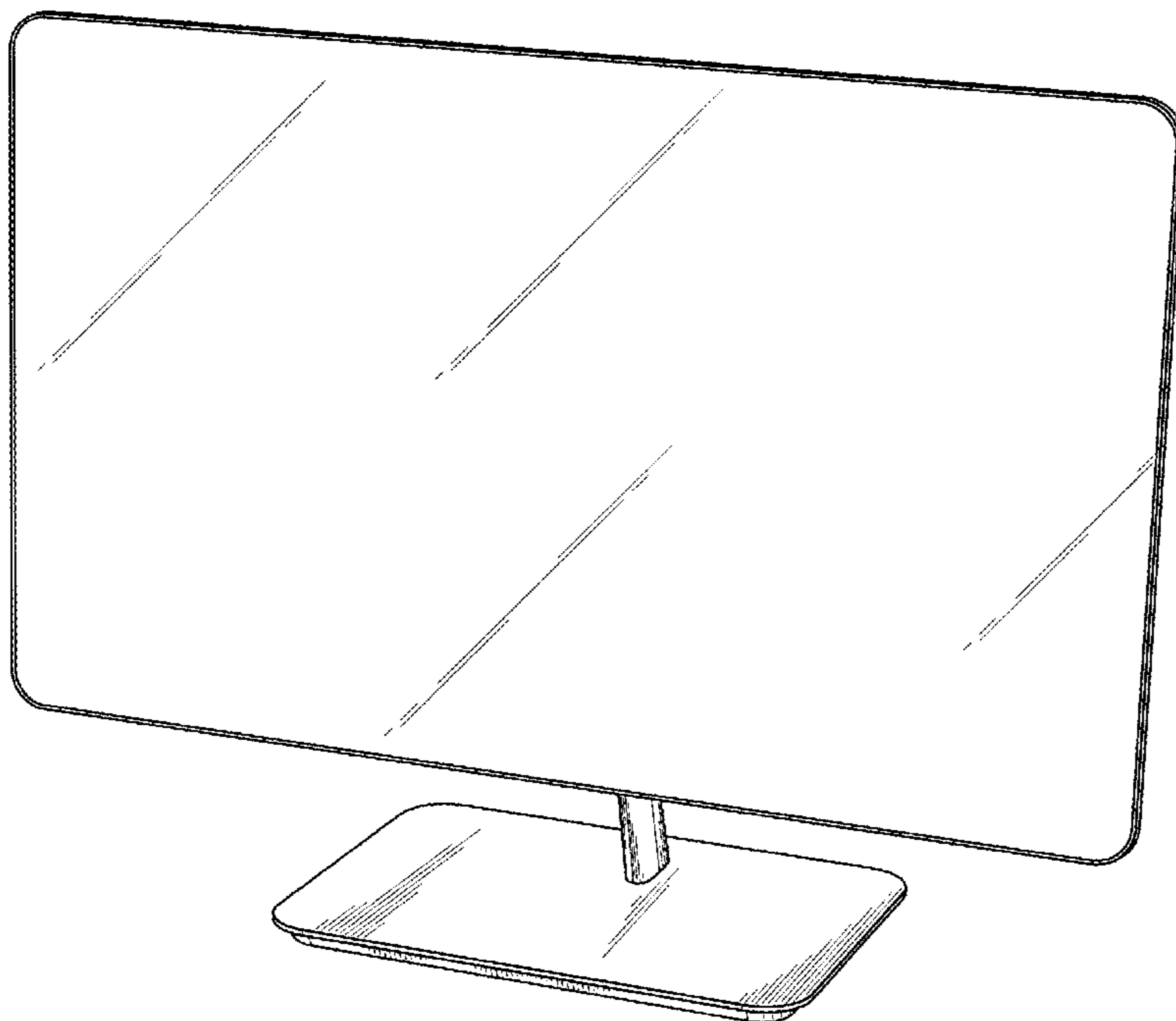
(57) **CLAIM**

The ornamental design for all-in-one display screen, as shown and described.

DESCRIPTION

FIG. 1 is a front perspective view of the all in one display screen;
FIGS. 2 and 3 is a front-on view and a back view of the all in one display screen;
FIGS. 4 and 5 show alternate side views of the all in one display screen;
FIG. 6 shows a top view of the all in one display screen; and,
FIG. 7 shows a bottom view of the all in one display screen. Broken lines shown in the drawings illustrate portions of the all in one display screen and form no part of the claimed design.

1 Claim, 6 Drawing Sheets



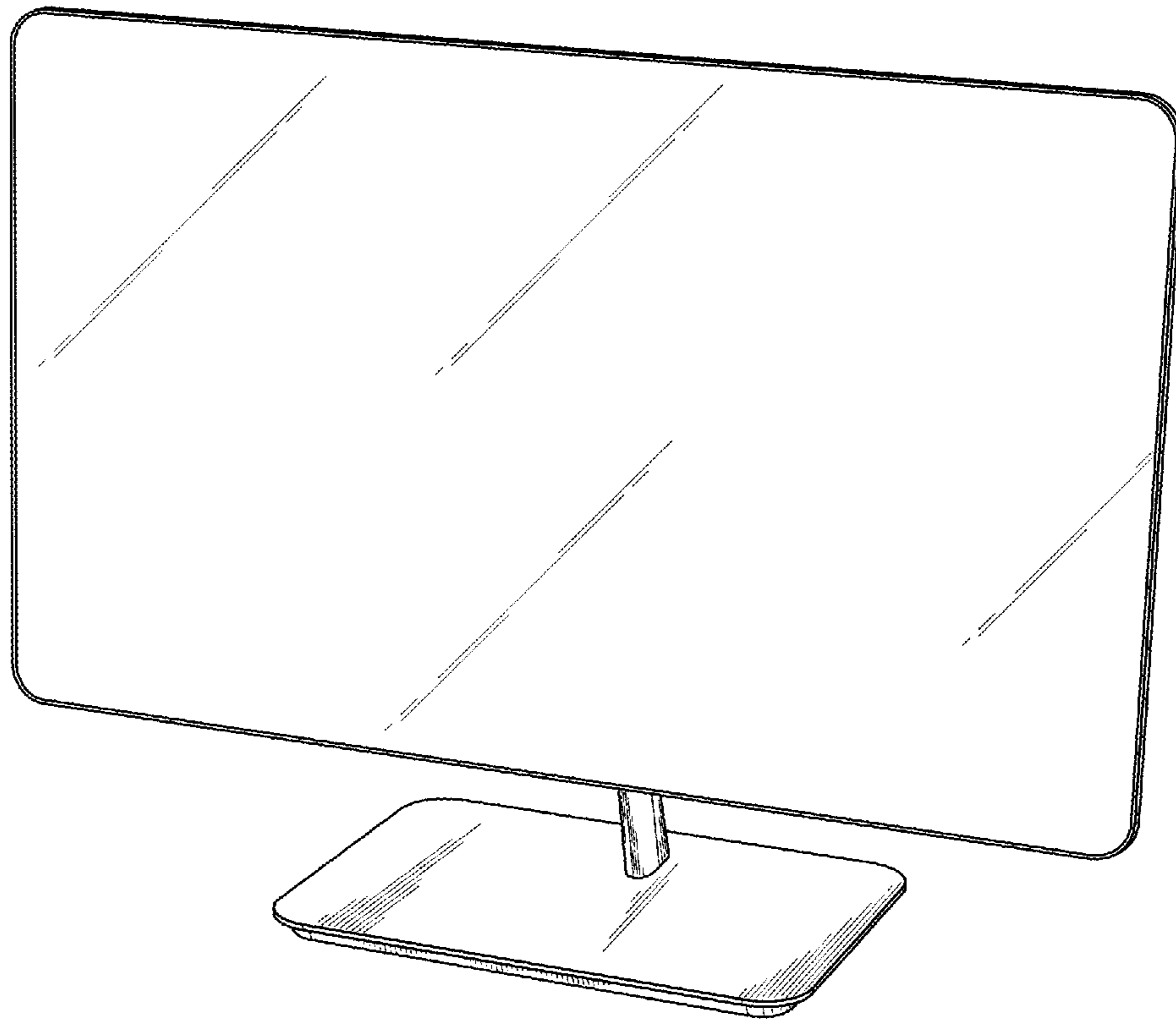


FIG. 1

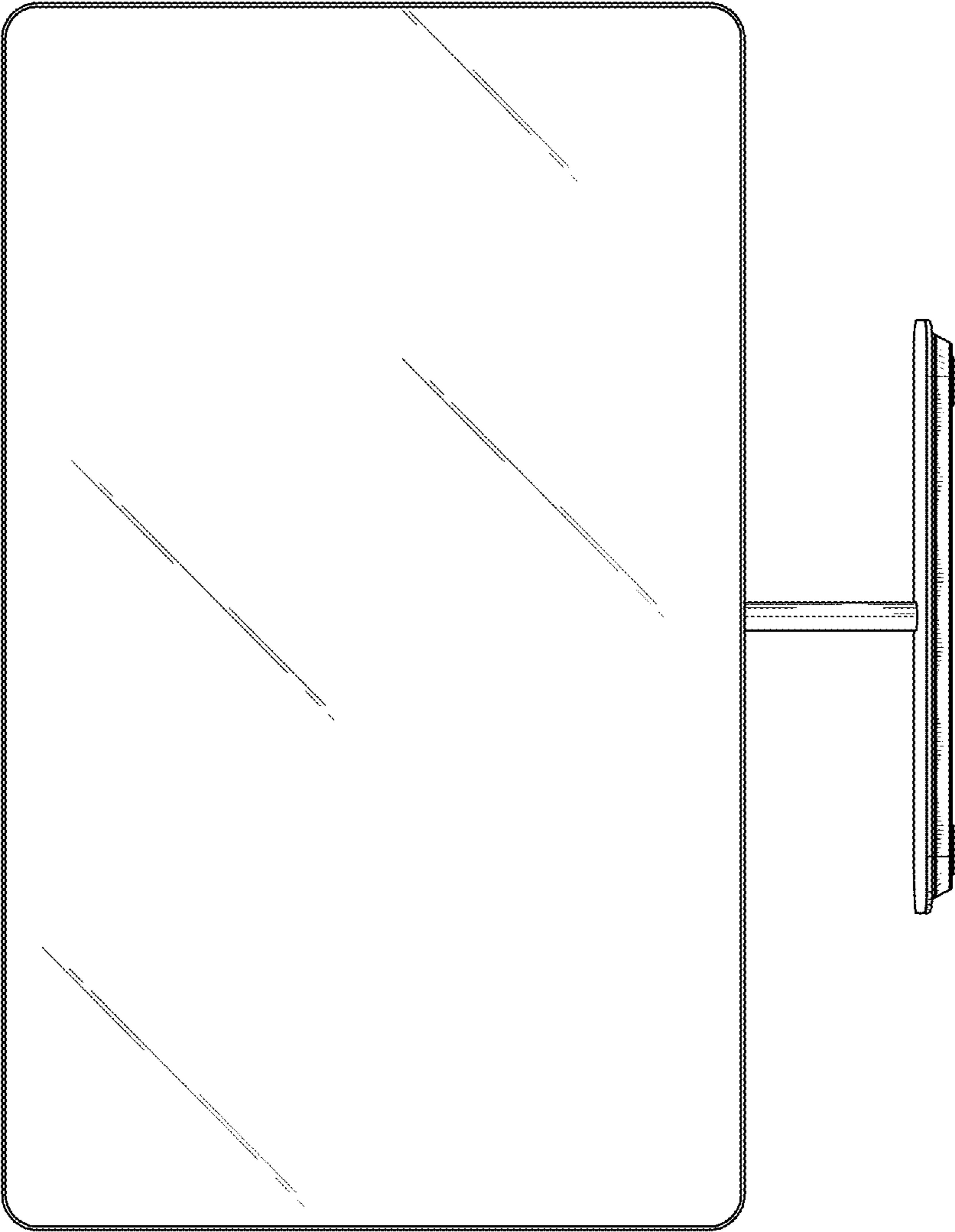


FIG. 2

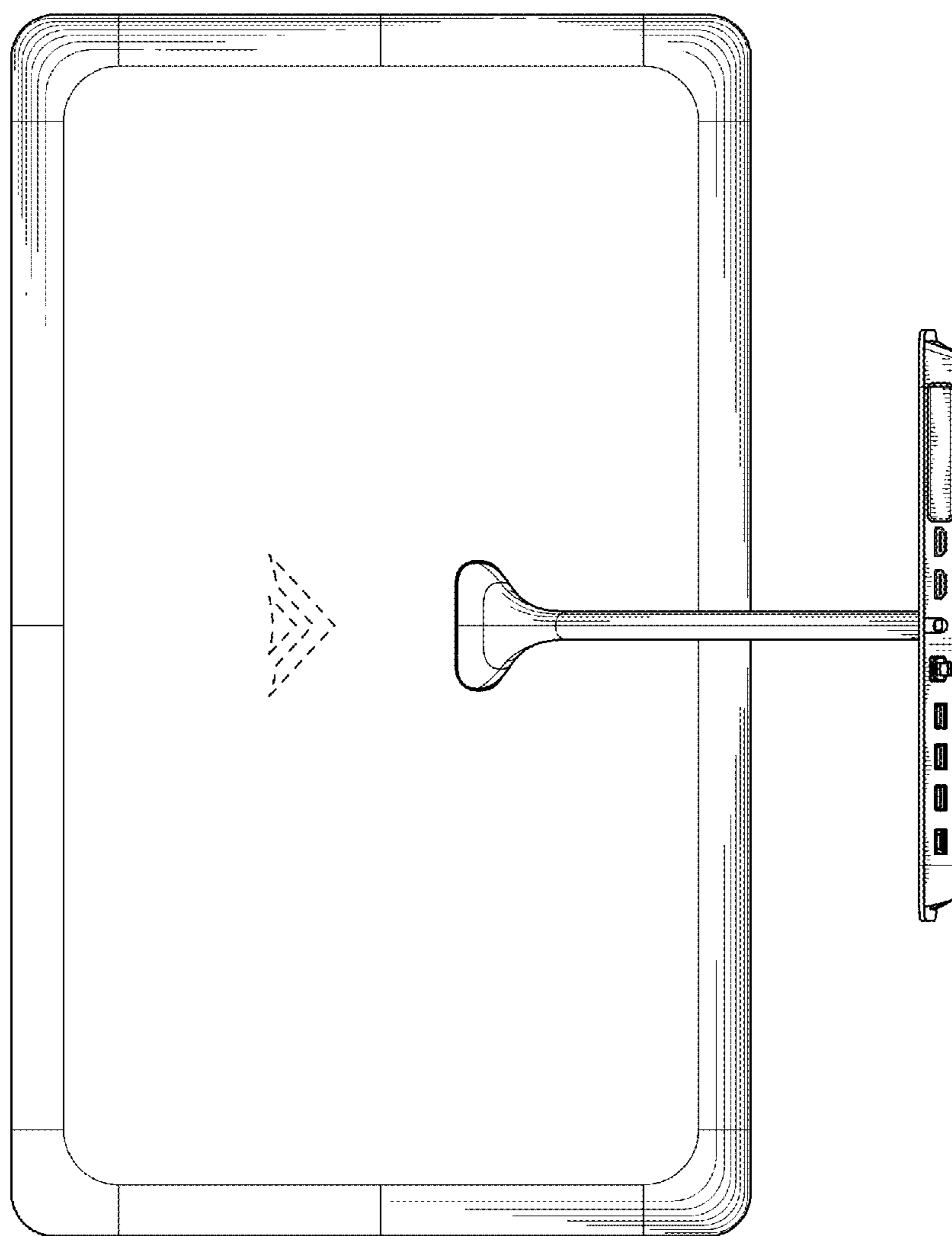


FIG. 3

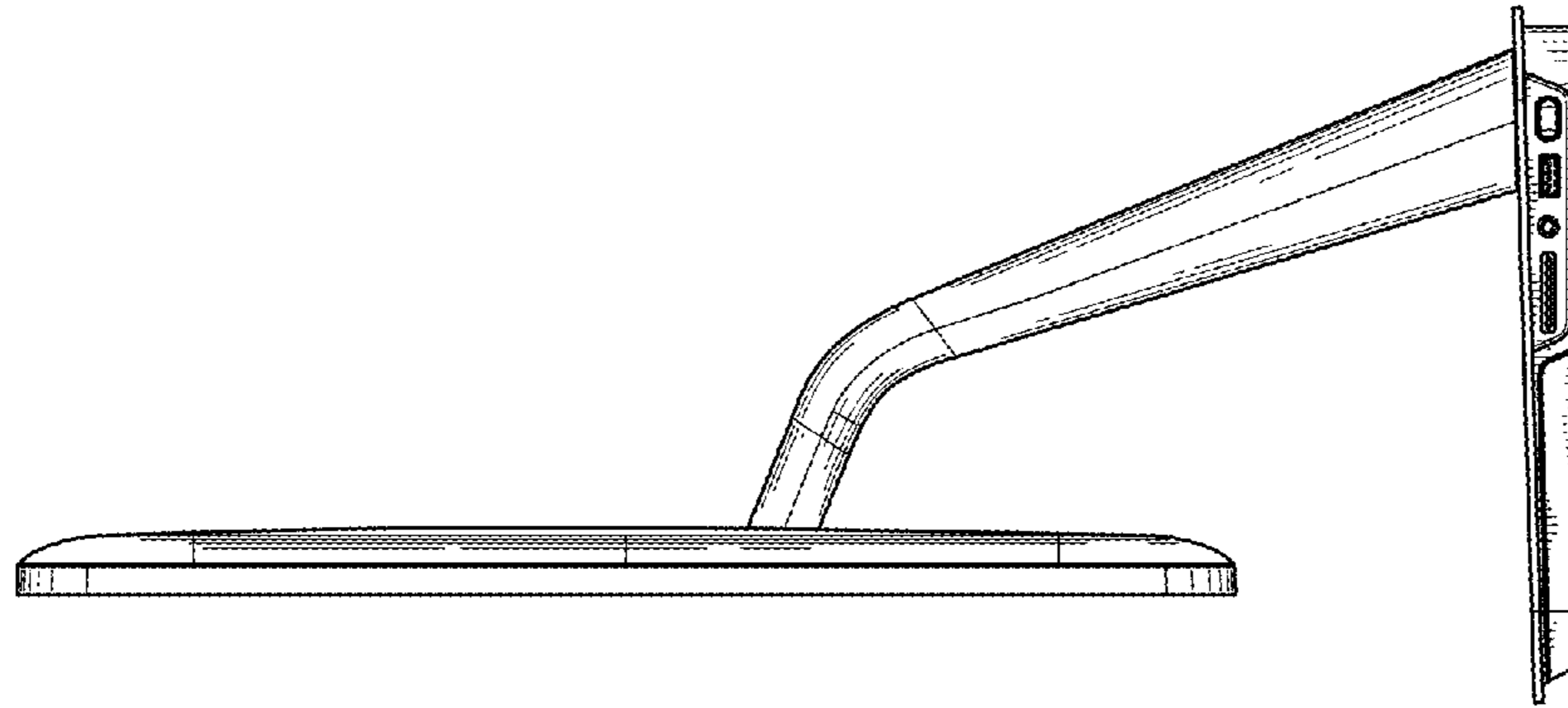


FIG. 5

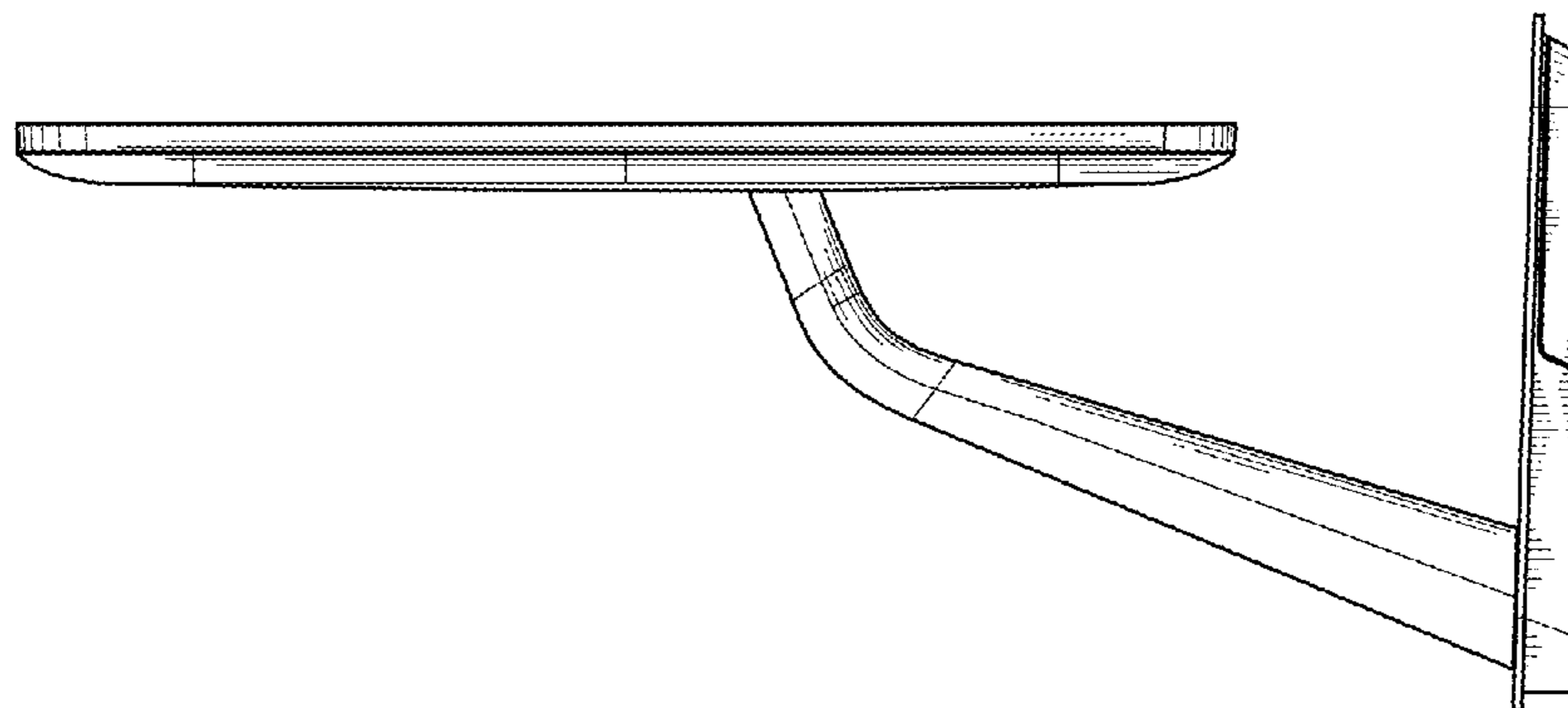


FIG. 4

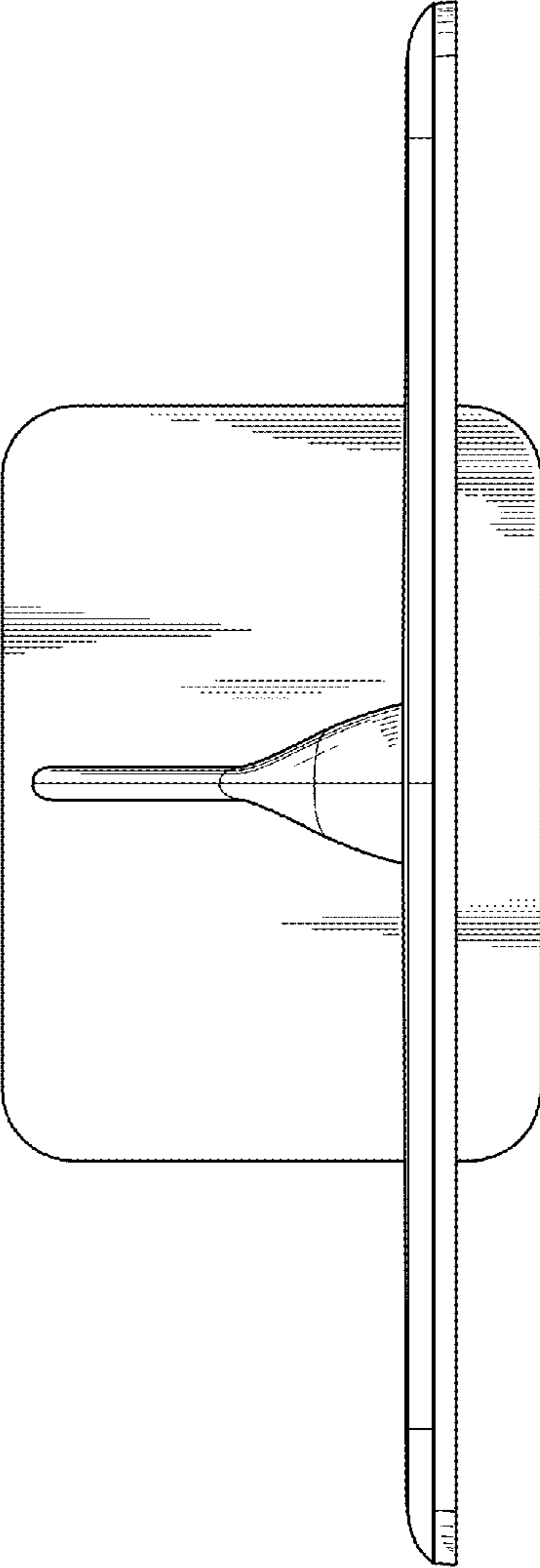


FIG. 6

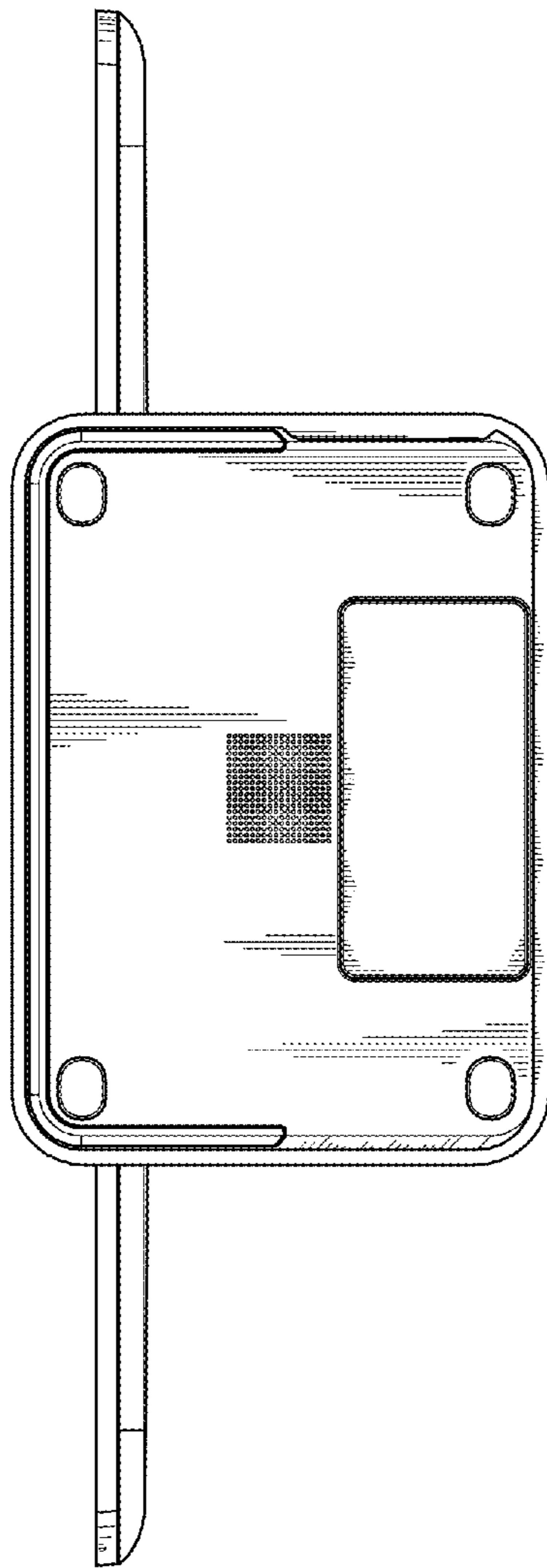


FIG. 7