

US00D669074S

(12) **United States Design Patent**
Chiu

(10) **Patent No.:** **US D669,074 S**
(45) **Date of Patent:** **** Oct. 16, 2012**

(54) **DISPLAY**

(75) **Inventor:** **Yi-Chung Chiu**, Taoyuan (TW)

(73) **Assignee:** **Hannspree, Inc.**, New Taipei (TW)

(**) **Term:** **14 Years**

(21) **Appl. No.:** **29/404,200**

(22) **Filed:** **Oct. 17, 2011**

(51) **LOC (9) Cl.** **14-02**

(52) **U.S. Cl.** **D14/371**

(58) **Field of Classification Search** D14/371-376,
D14/125-129, 317, 331, 336, 337, 341, 383-385;
D6/308; D10/20; 248/917-924, 176.1, 278.1;
345/104, 156, 173, 174, 901-905; 348/180,
348/184, 325, 739; 361/679.08, 679.21,
361/679.23; 349/1, 2, 11

See application file for complete search history.

(56) **References Cited**

U.S. PATENT DOCUMENTS

D403,670 S * 1/1999 Liao D14/375
D543,520 S * 5/2007 Chiu D14/126

* cited by examiner

Primary Examiner — Freda S Nunn

(74) *Attorney, Agent, or Firm* — Schmeiser Olsen & Watts
LLP

(57) **CLAIM**

The ornamental design for a display, as shown and described.

DESCRIPTION

FIG. 1 is a front perspective view of display showing my new design;

FIG. 2 is a front elevational view thereof;

FIG. 3 is a rear elevational view thereof;

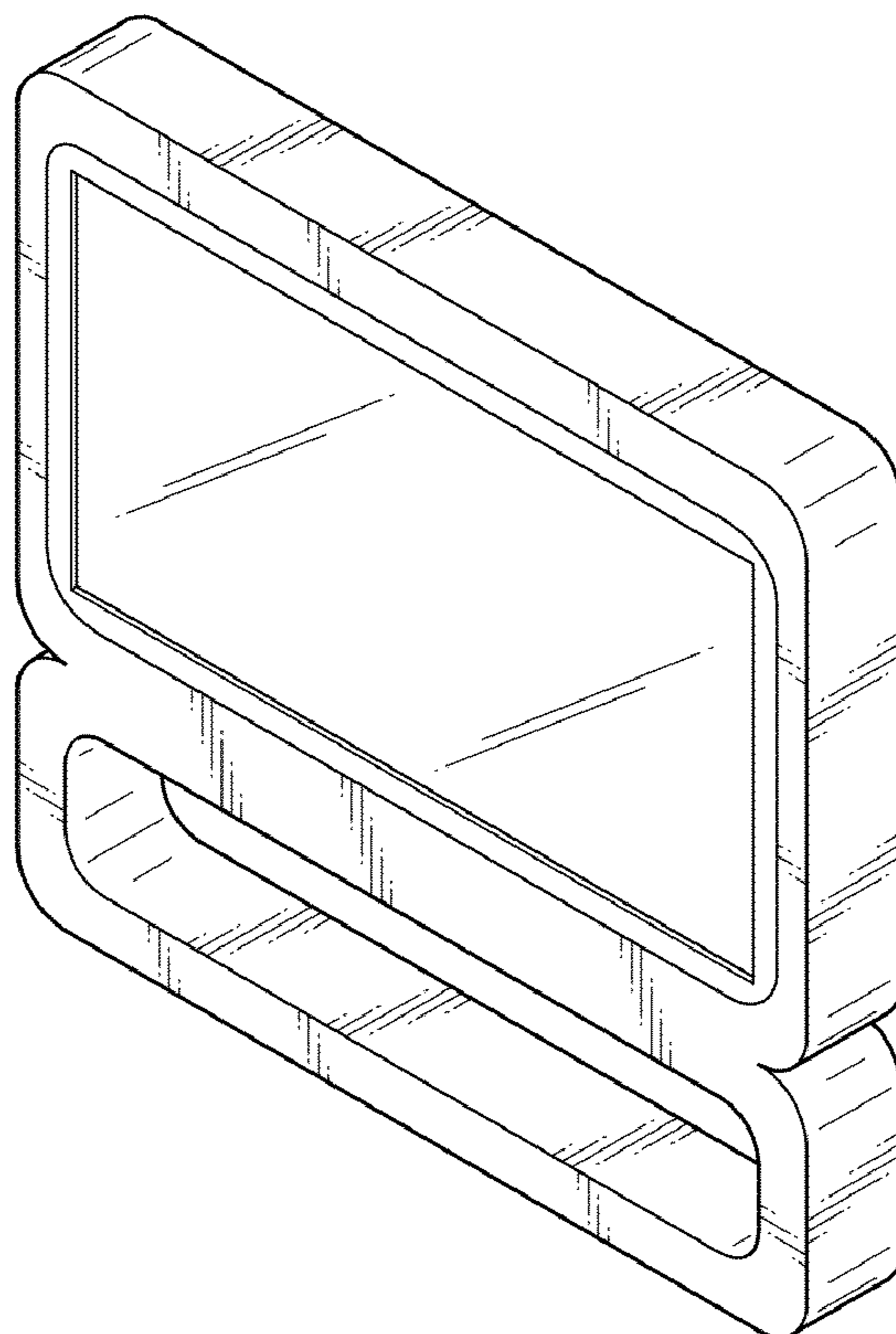
FIG. 4 is a left side elevational view thereof;

FIG. 5 is a right side elevational view thereof;

FIG. 6 is a top plan view thereof; and,

FIG. 7 is a bottom plan view thereof.

1 Claim, 7 Drawing Sheets



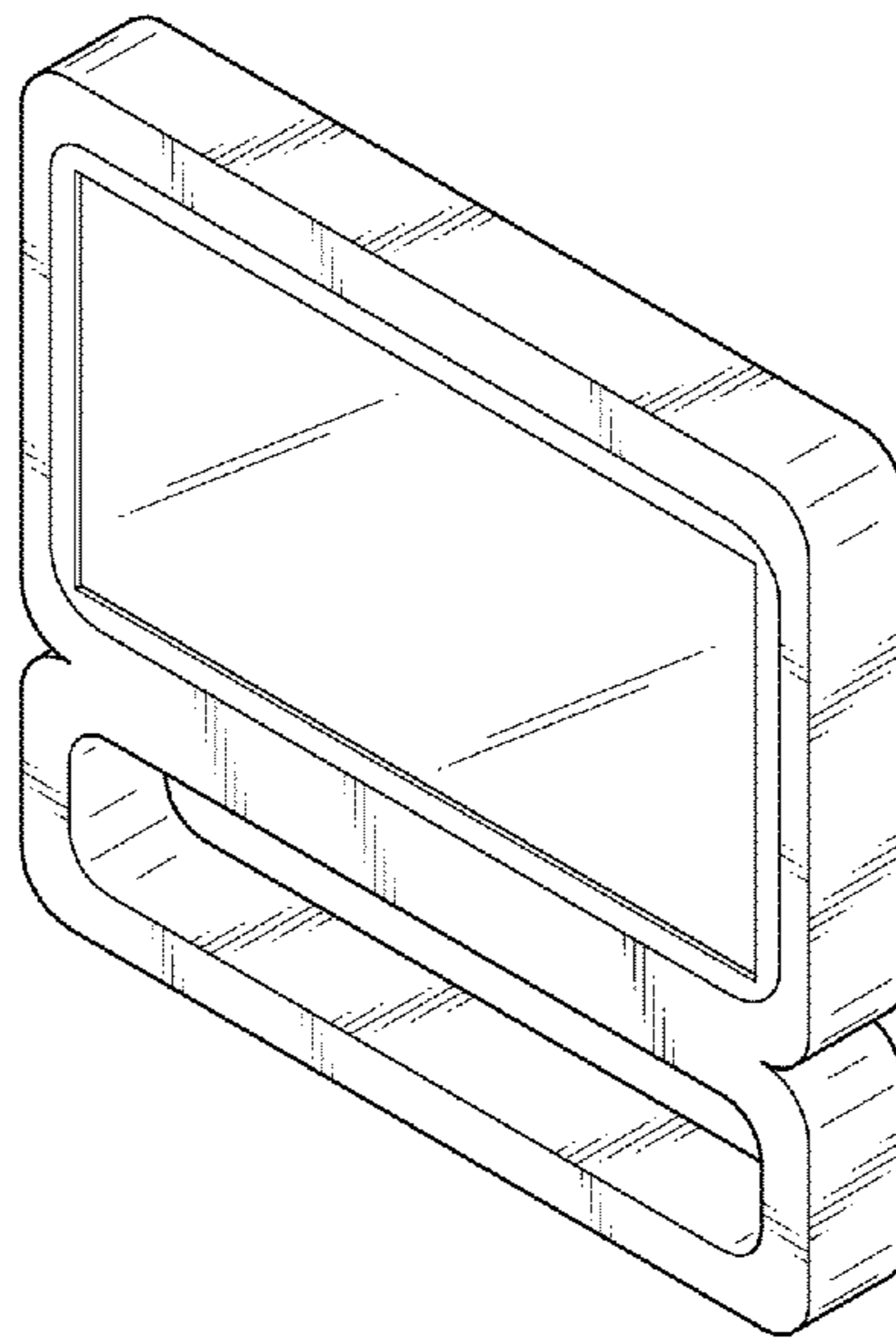


FIG.1

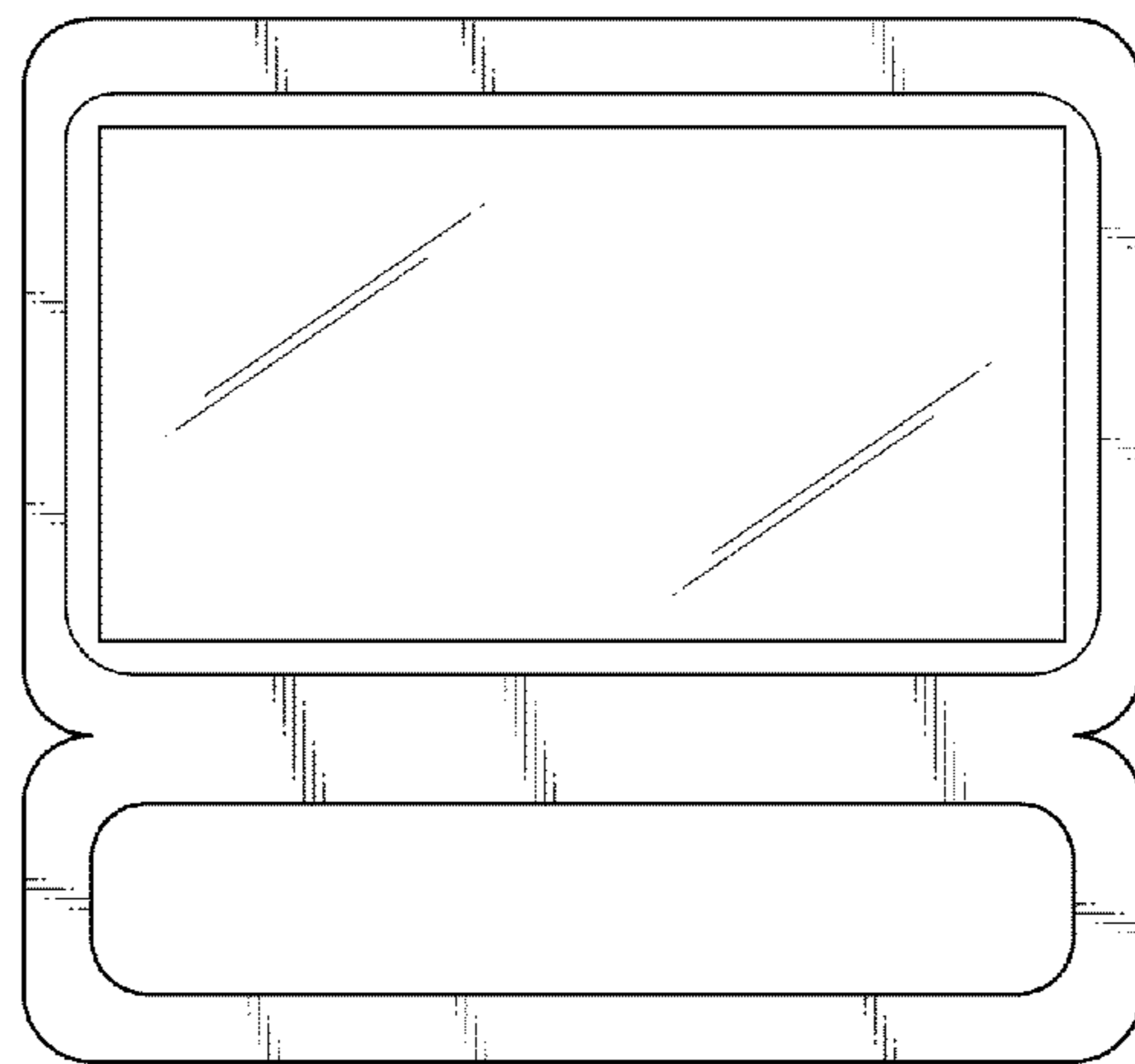


FIG.2

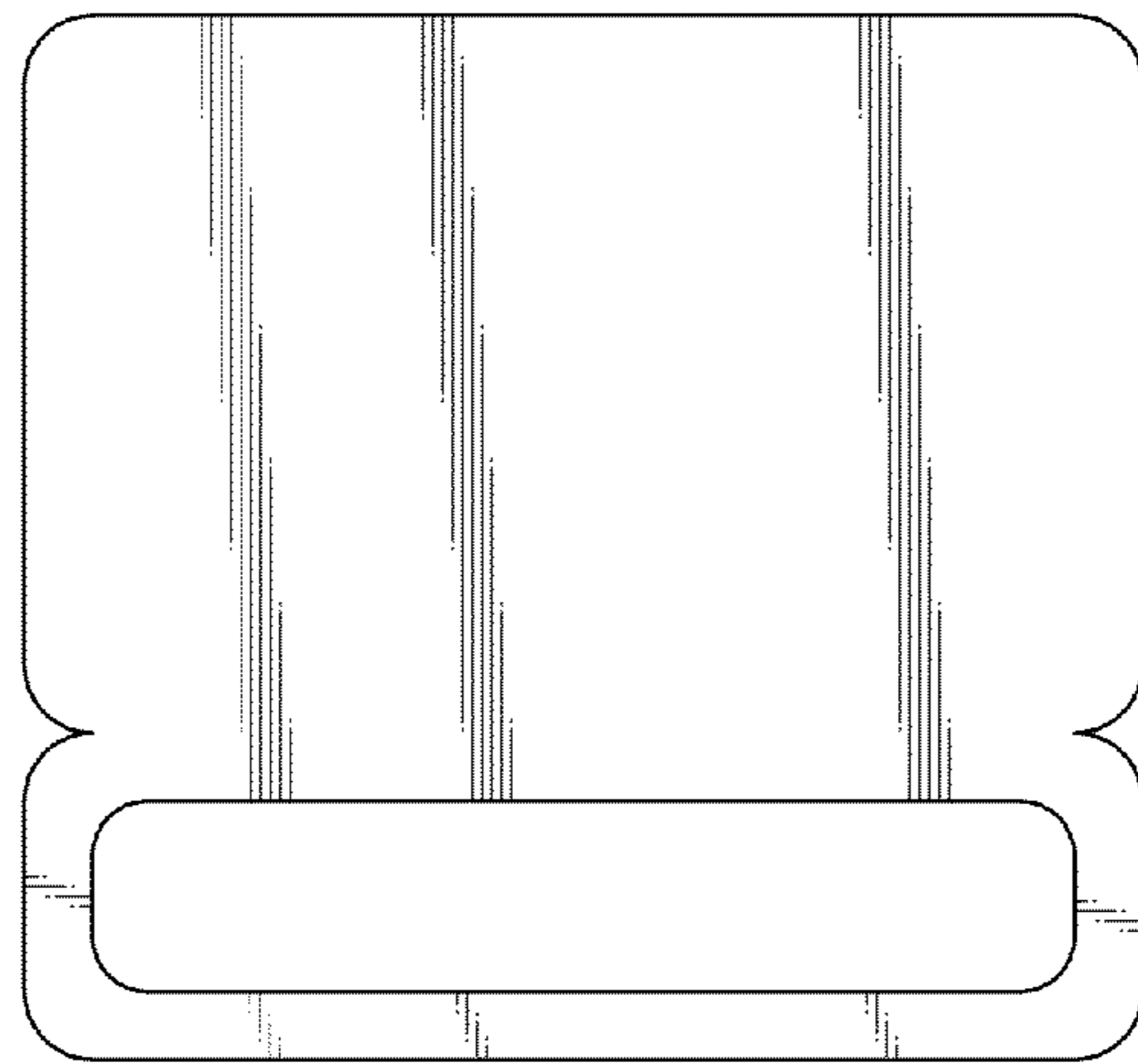


FIG.3



FIG.4



FIG.5



FIG.6



FIG.7