



US00D669067S

(12) **United States Design Patent**  
**Cruz et al.**

(10) **Patent No.:** **US D669,067 S**  
(45) **Date of Patent:** **\*\* Oct. 16, 2012**

(54) **LAPTOP COMPUTER**

(75) Inventors: **Tiago Alves Cruz**, Porto (PT); **Tiago Manuel da Silva Matos**, Infantas (PT)

(73) Assignee: **J. P. Sá Couto**, Perafita (PT)

(\*\*) Term: **14 Years**

(21) Appl. No.: **29/401,951**

(22) Filed: **Sep. 19, 2011**

(51) **LOC (9) Cl.** ..... **14-02**

(52) **U.S. Cl.** ..... **D14/315**

(58) **Field of Classification Search** ..... D14/315-327,  
D14/349, 356; D18/1, 2, 7, 11; 235/145 A,  
235/145 R; 341/22, 23; 345/104, 156, 168,  
345/169, 173; 361/679.08, 679.09, 679.11,  
361/679.26, 679.27

See application file for complete search history.

(56) **References Cited**

**U.S. PATENT DOCUMENTS**

5,103,376	A *	4/1992	Blonder	.....	361/679.09
6,519,139	B2 *	2/2003	Kambayashi	.....	361/679.09
D517,063	S *	3/2006	Nakajima et al.	.....	D14/318
D603,393	S *	11/2009	Paek	.....	D14/315
D606,990	S *	12/2009	Chen et al.	.....	D14/327

D615,969	S *	5/2010	Arbisi et al.	.....	D14/327
D643,033	S *	8/2011	Lee et al.	.....	D14/315
2005/0041378	A1 *	2/2005	Hamada et al.	.....	361/680

\* cited by examiner

*Primary Examiner* — Freda S Nunn

(74) *Attorney, Agent, or Firm* — Mardson Q. McQuay

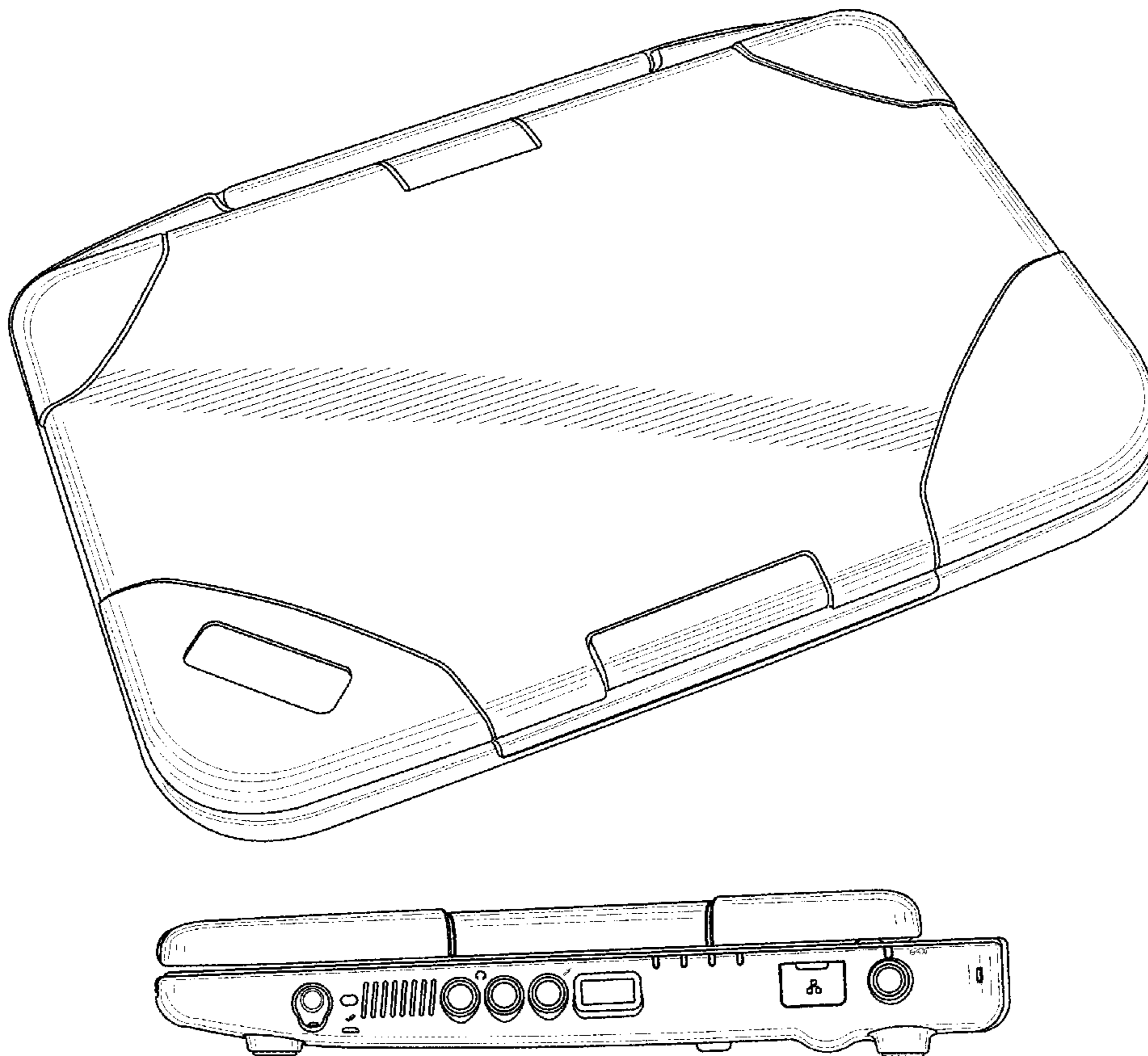
(57) **CLAIM**

The ornamental design for a laptop computer, as shown and described.

**DESCRIPTION**

FIG. 1 is a perspective view of a laptop computer showing my new design;  
 FIG. 2 is a top view of the laptop computer shown in FIG. 1;  
 FIG. 3 is bottom view of the laptop computer shown in FIG. 1;  
 FIG. 4 is a front elevational view of the laptop computer shown in FIG. 1;  
 FIG. 5 is a rear elevational view of the laptop computer shown in FIG. 1;  
 FIG. 6 is a side view of the laptop computer shown in FIG. 1;  
 and,  
 FIG. 7 is another side view of the laptop computer shown in FIG. 1.

**1 Claim, 5 Drawing Sheets**



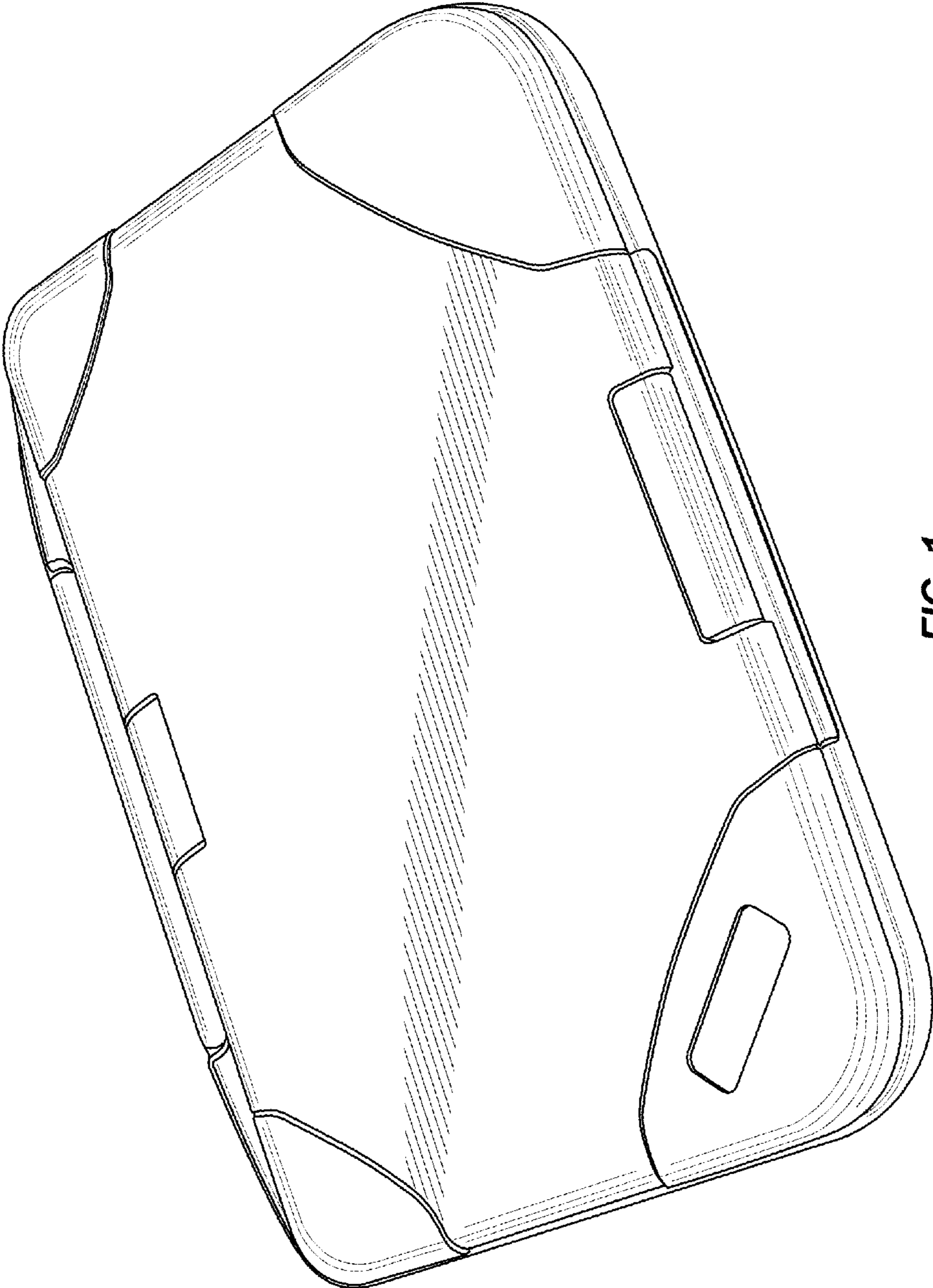


FIG. 1

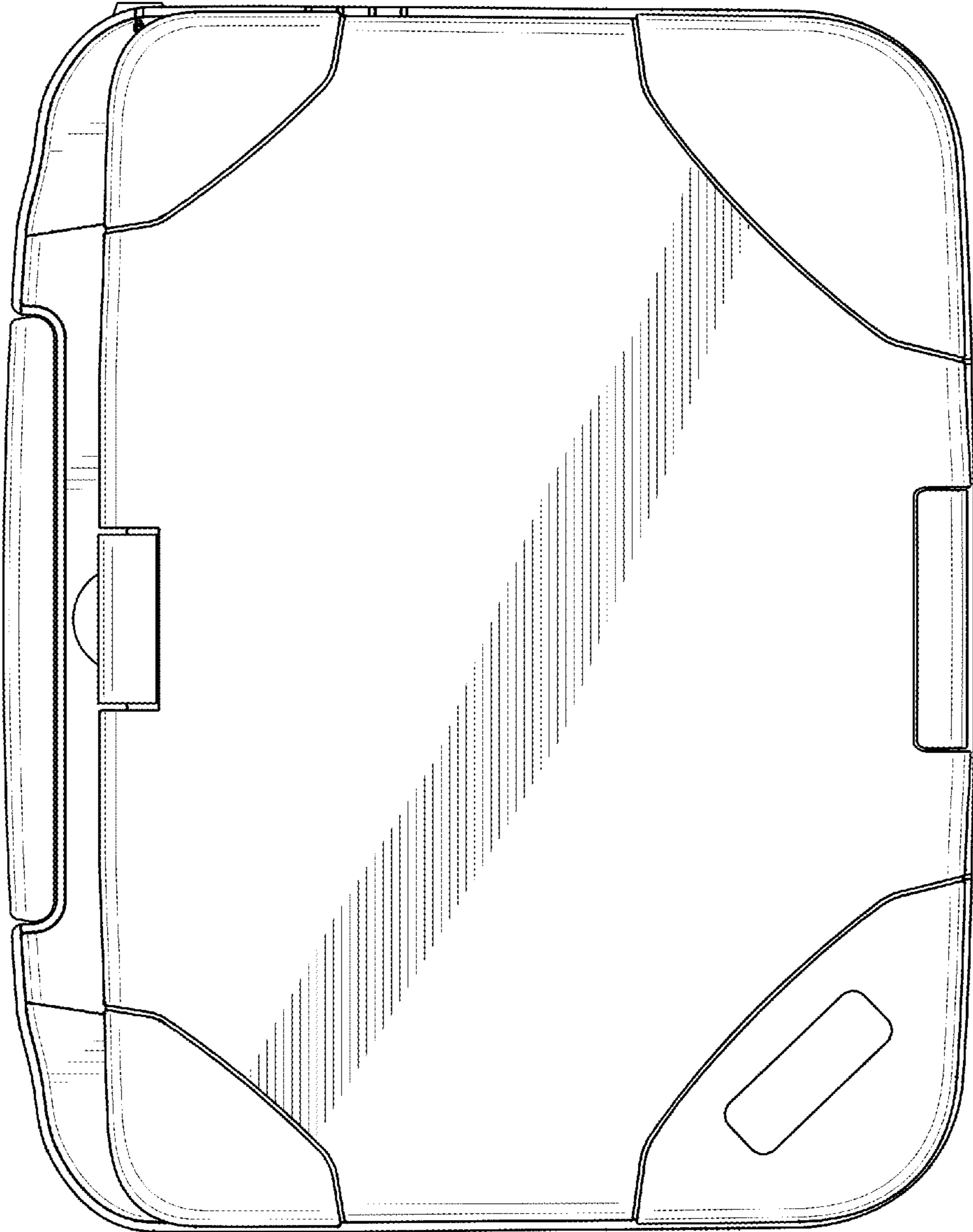


FIG. 2

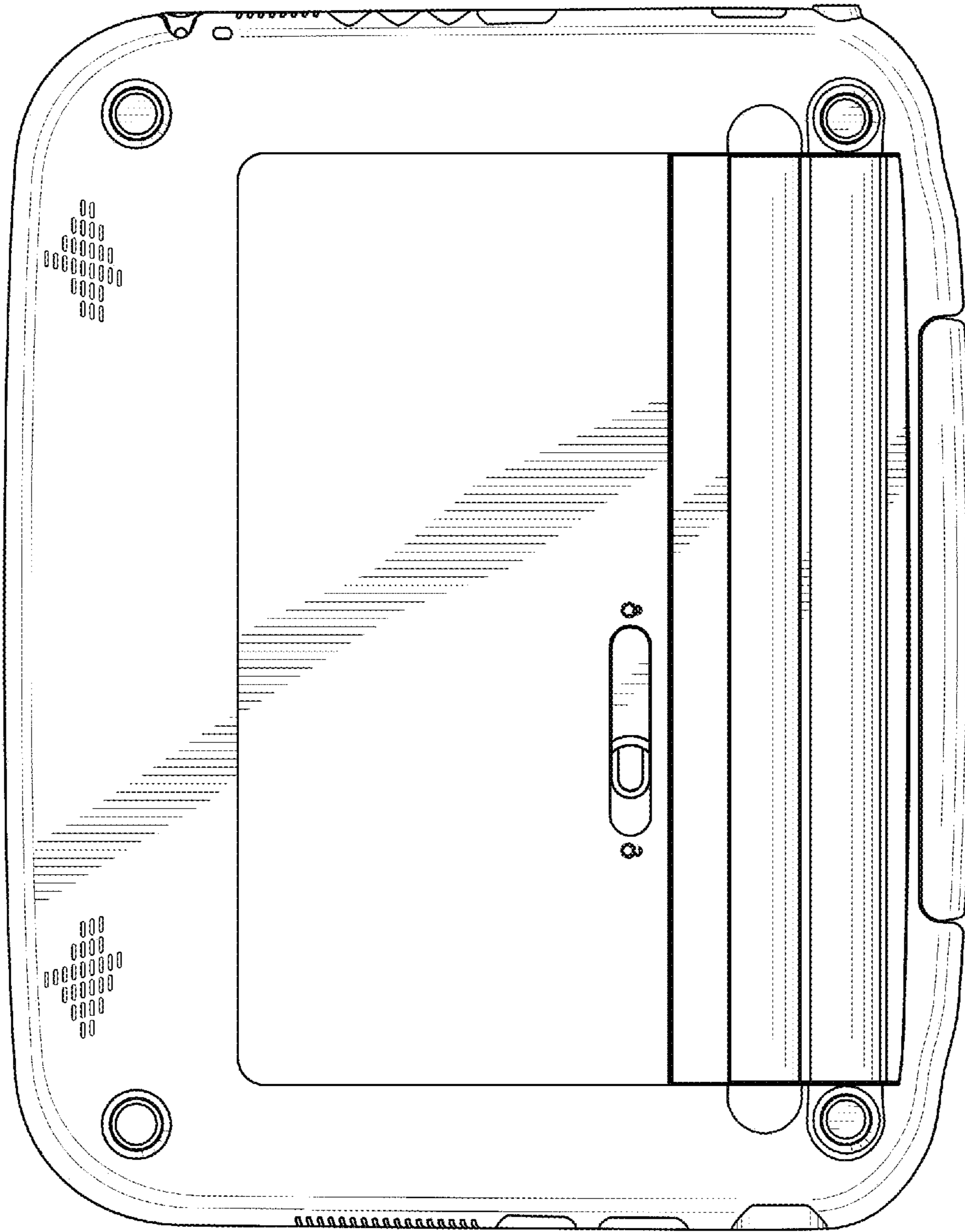


FIG. 3

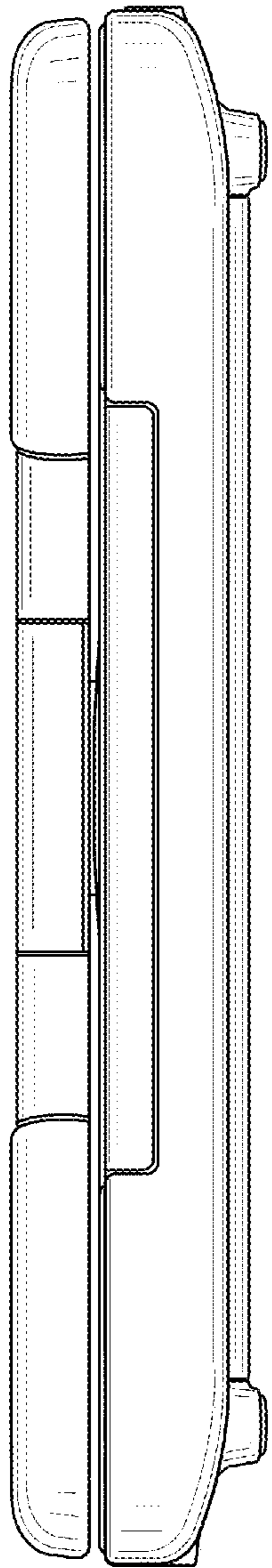


FIG. 4

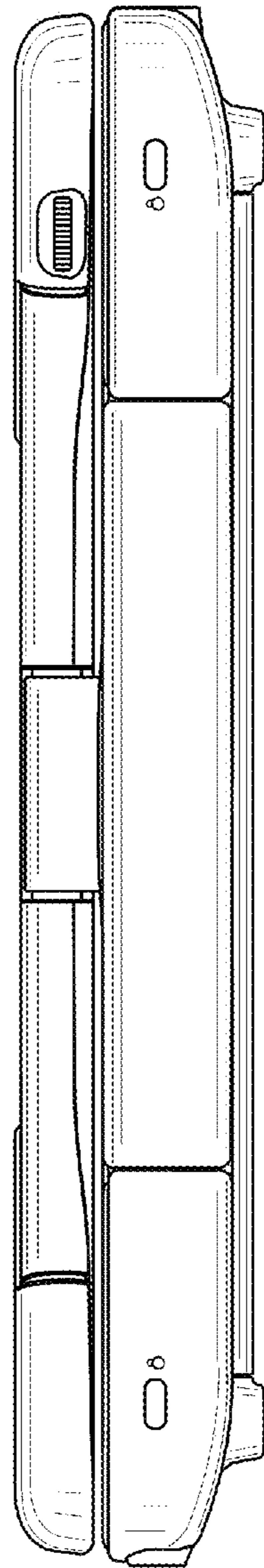


FIG. 5

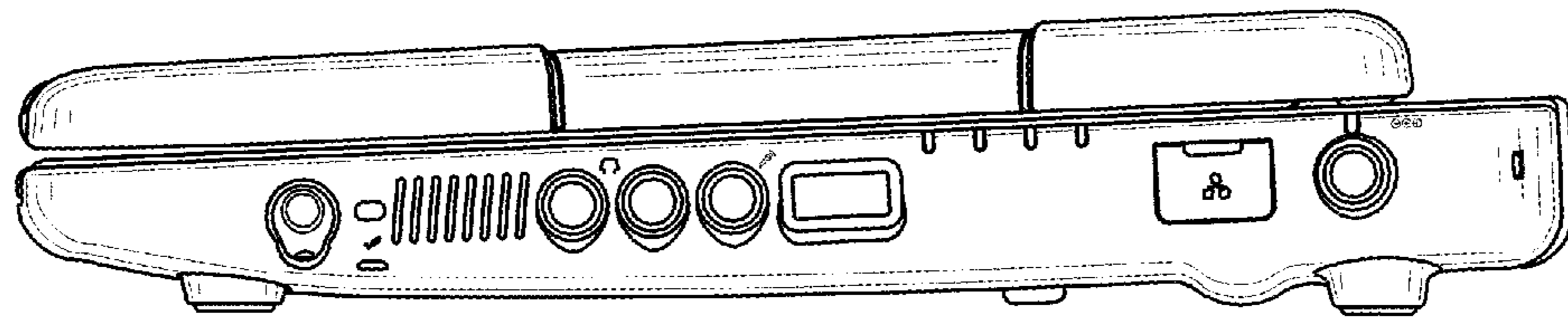


FIG. 6

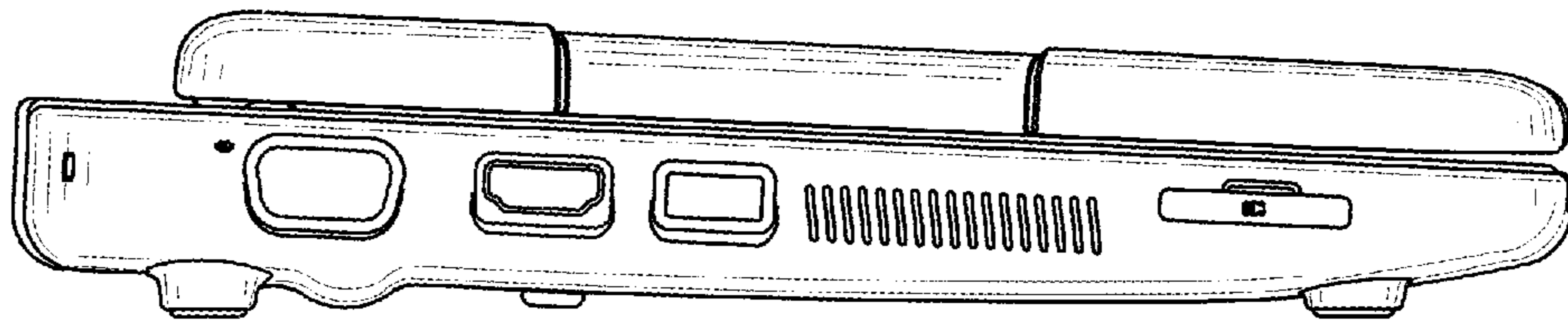


FIG. 7