

US00D669065S

(12) **United States Design Patent**
Fromm

(10) **Patent No.:** **US D669,065 S**

(45) **Date of Patent:** **** Oct. 16, 2012**

(54) **HOLDER FOR SMART PHONE OR THE LIKE**

(76) Inventor: **Wayne G. Fromm**, Toronto (CA)

(**) Term: **14 Years**

(21) Appl. No.: **29/380,861**

(22) Filed: **Dec. 13, 2010**

(51) **LOC (9) Cl.** **14-03**

(52) **U.S. Cl.** **D14/253**

(58) **Field of Classification Search** D14/140,
D14/217, 224, 224.1, 229, 240, 243, 250–253,
D14/299, 344, 434, 447, 451–452, 483, 496;
D13/108; 361/679.41; 439/534; 320/115,
320/116, 107; D8/355, 363; D12/415, 418;
379/449, 455, 165; 248/122.1, 127, 157,
248/205.8, 206.2, 279.1, 205.5, 309.1, 309.3,
248/352; D3/201, 218, 269, 273, 301; D11/79;
63/26

See application file for complete search history.

(56) **References Cited**

U.S. PATENT DOCUMENTS

D575,293	S *	8/2008	Derry et al.	D14/447
D638,021	S *	5/2011	Derry	D14/447
D640,977	S *	7/2011	Videbaek	D13/108
7,980,737	B2 *	7/2011	Hu	362/382

D652,045	S *	1/2012	Hong	D14/447
D658,189	S *	4/2012	Zhao et al.	D14/447
D659,147	S *	5/2012	Hu et al.	D14/447

* cited by examiner

Primary Examiner — Raphael Barkai

Assistant Examiner — Randall Gholson

(74) *Attorney, Agent, or Firm* — John C. Thompson; Sandra J. Thompson

(57) **CLAIM**

I claim the ornamental design for a holder for smart phone or the like, as shown.

DESCRIPTION

FIG. 1 is a front perspective view of a holder for smart phone or the like showing our new design in combination with a tripod and phone, which are shown for illustration purposes only;

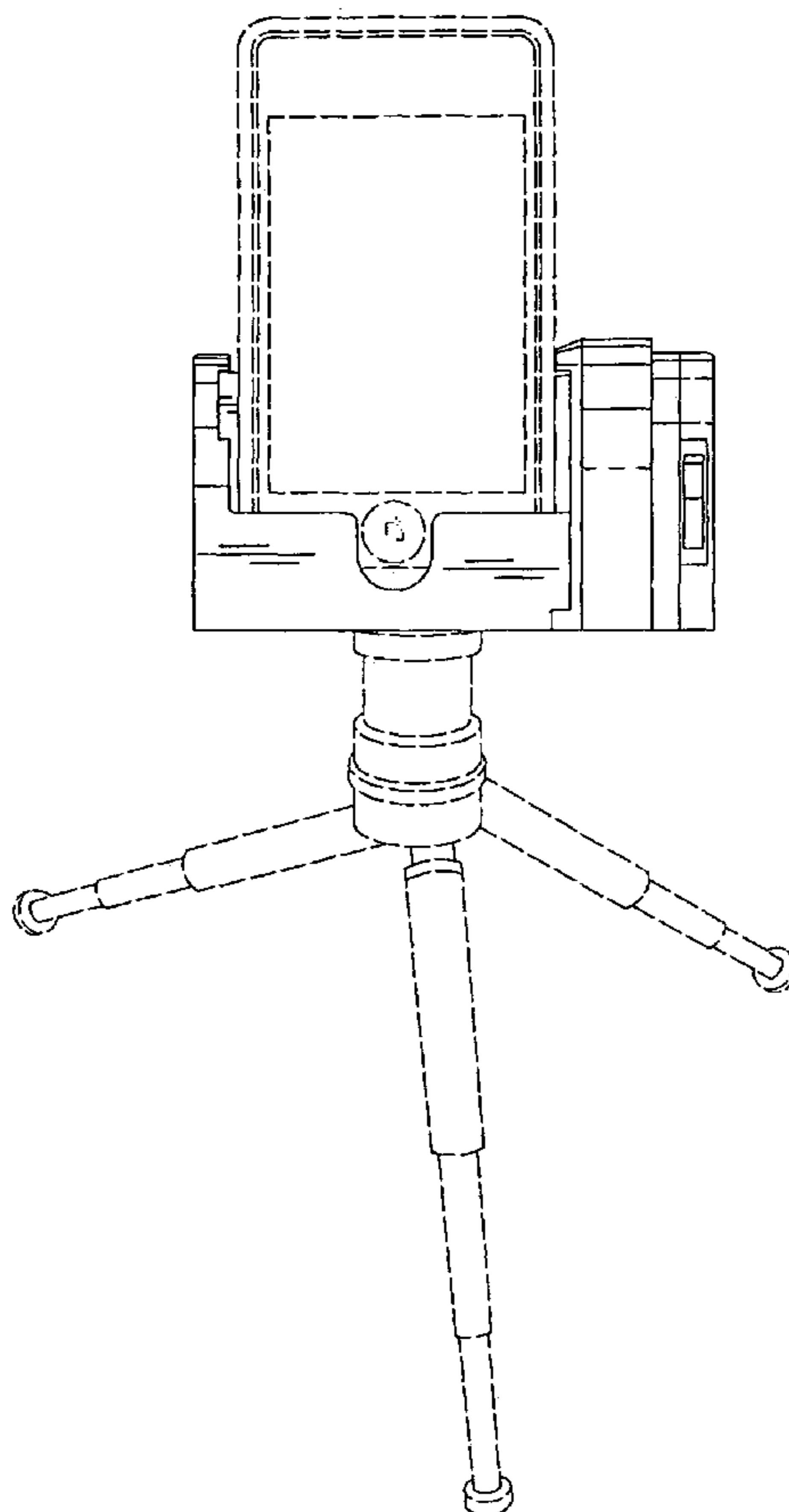
FIG. 2 is a front elevational view of a holder for smart phone or the like

FIGS. 3 and 4 are respectively right side and left side elevational views thereof;

FIGS. 5 and 6 are respectively back elevational view and top views thereof; and,

FIG. 7 is a bottom view thereof.

1 Claim, 4 Drawing Sheets



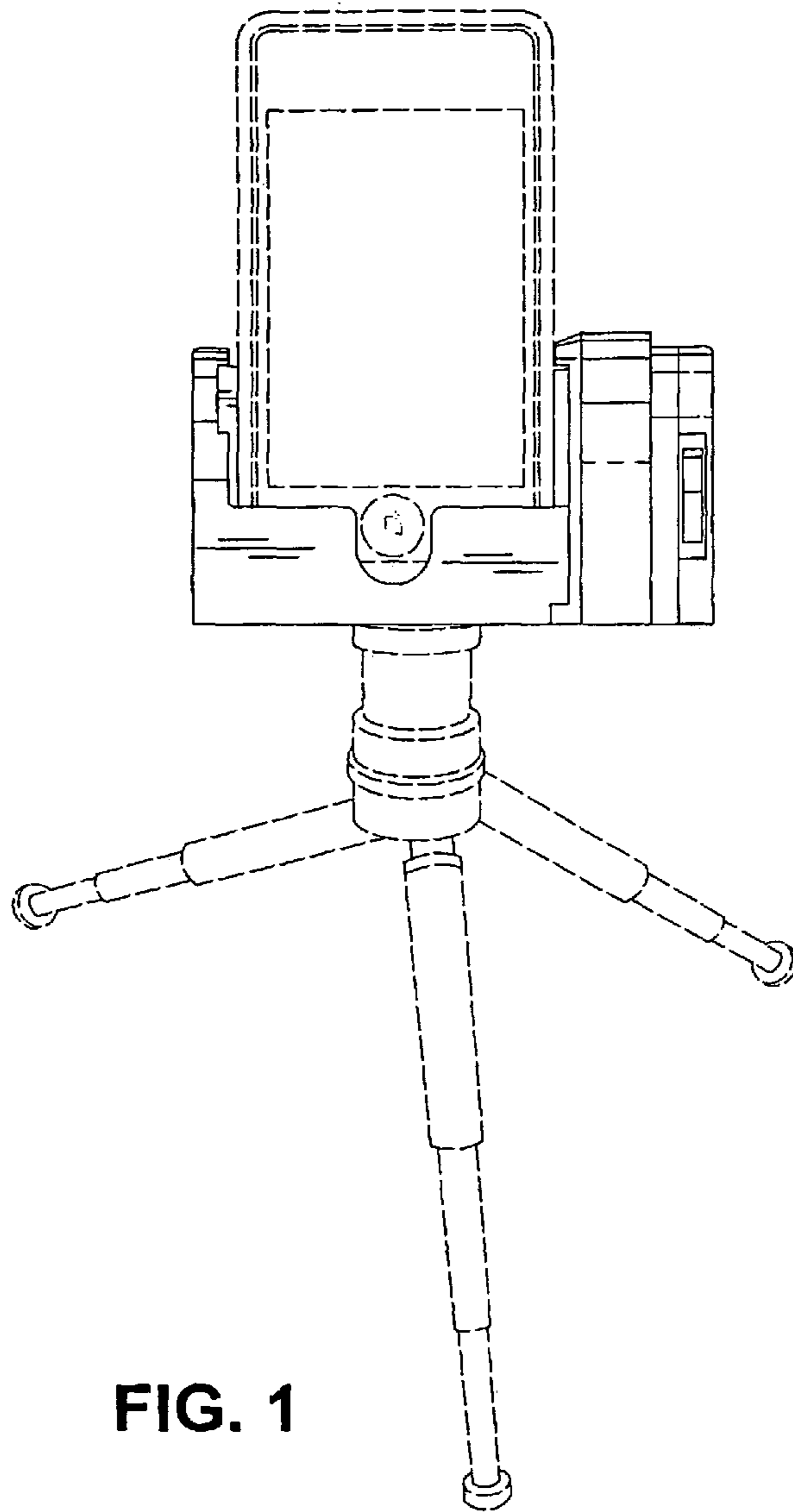


FIG. 1

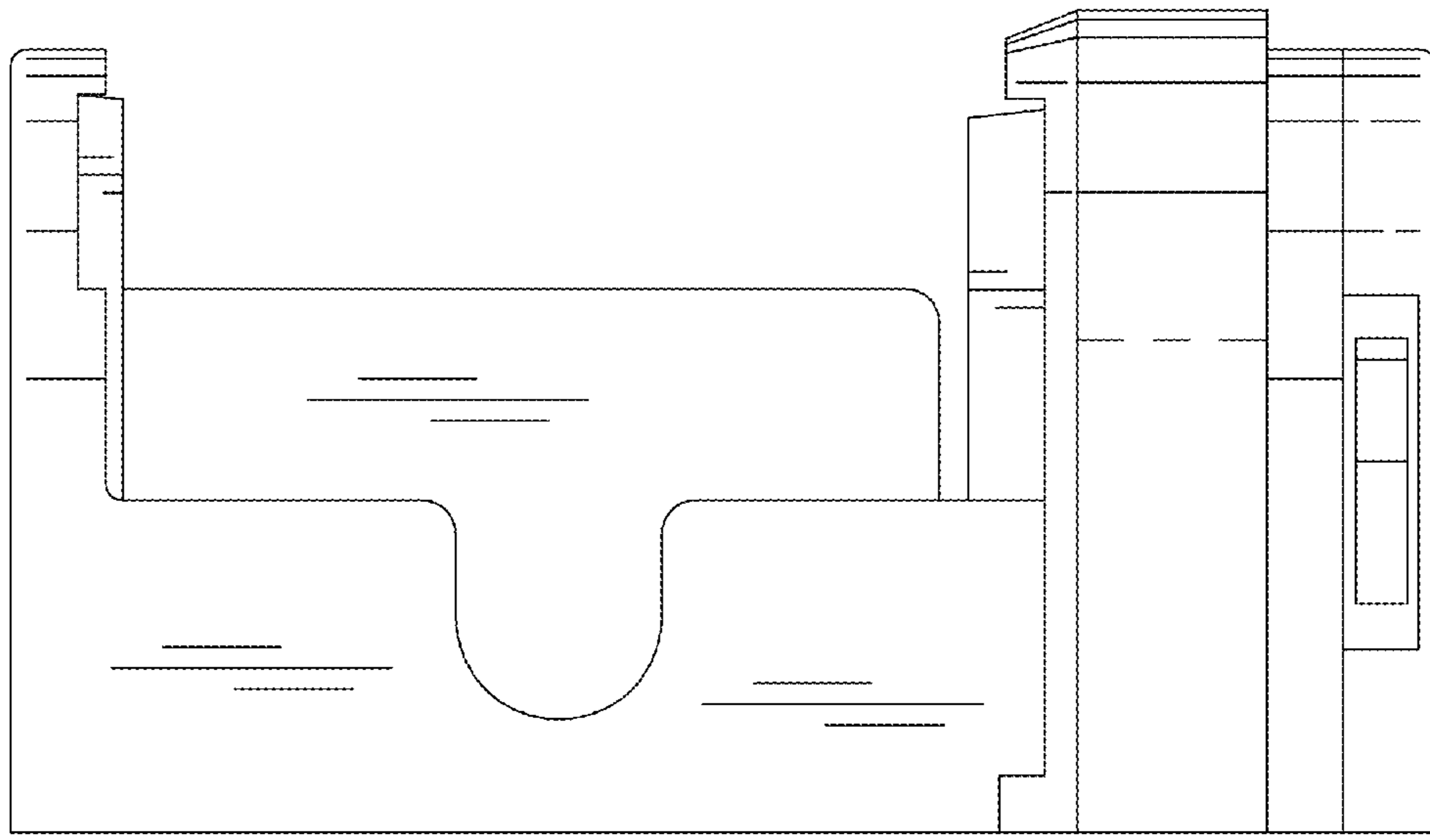


FIG. 2

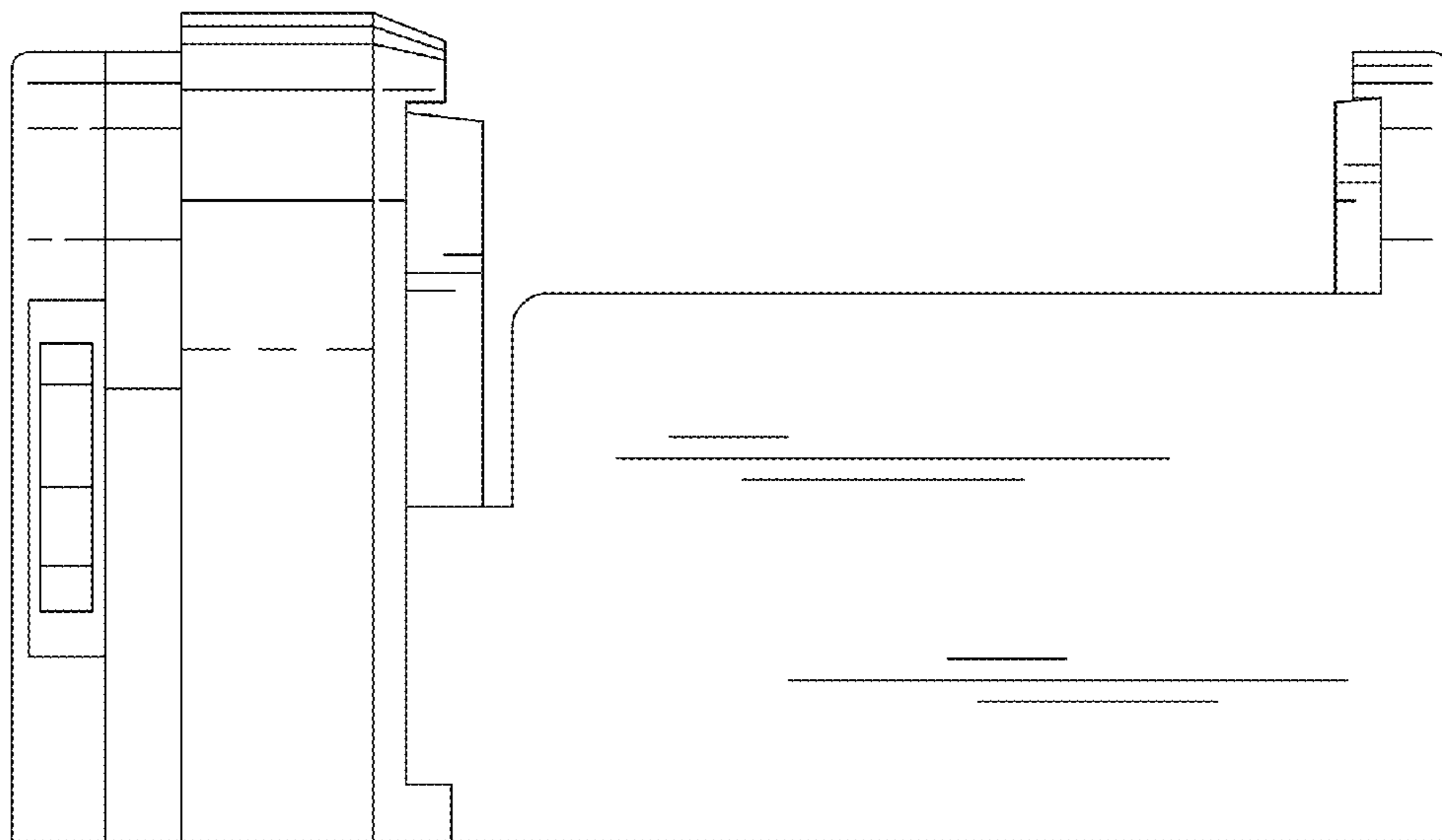


FIG. 3

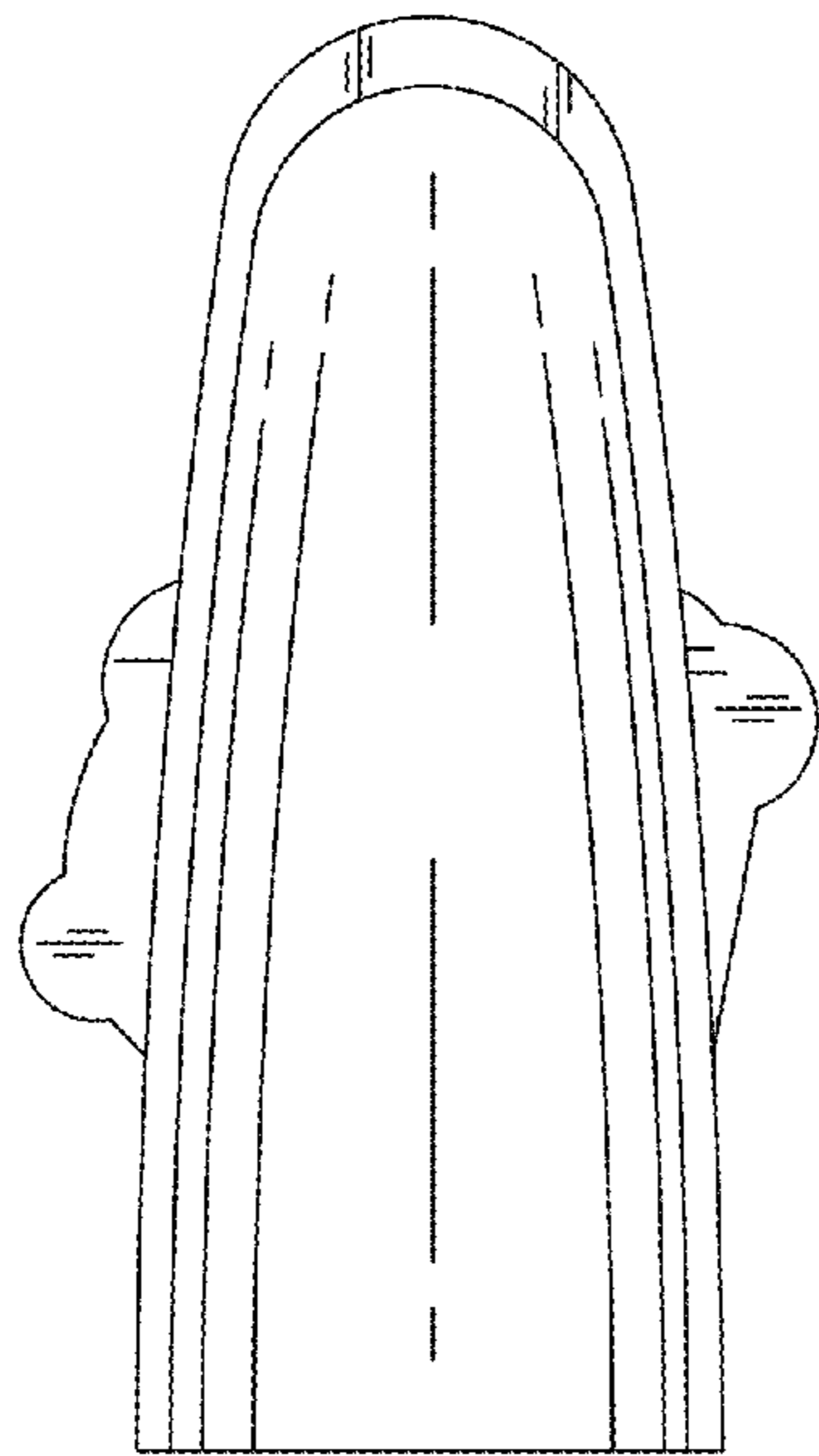


FIG. 4

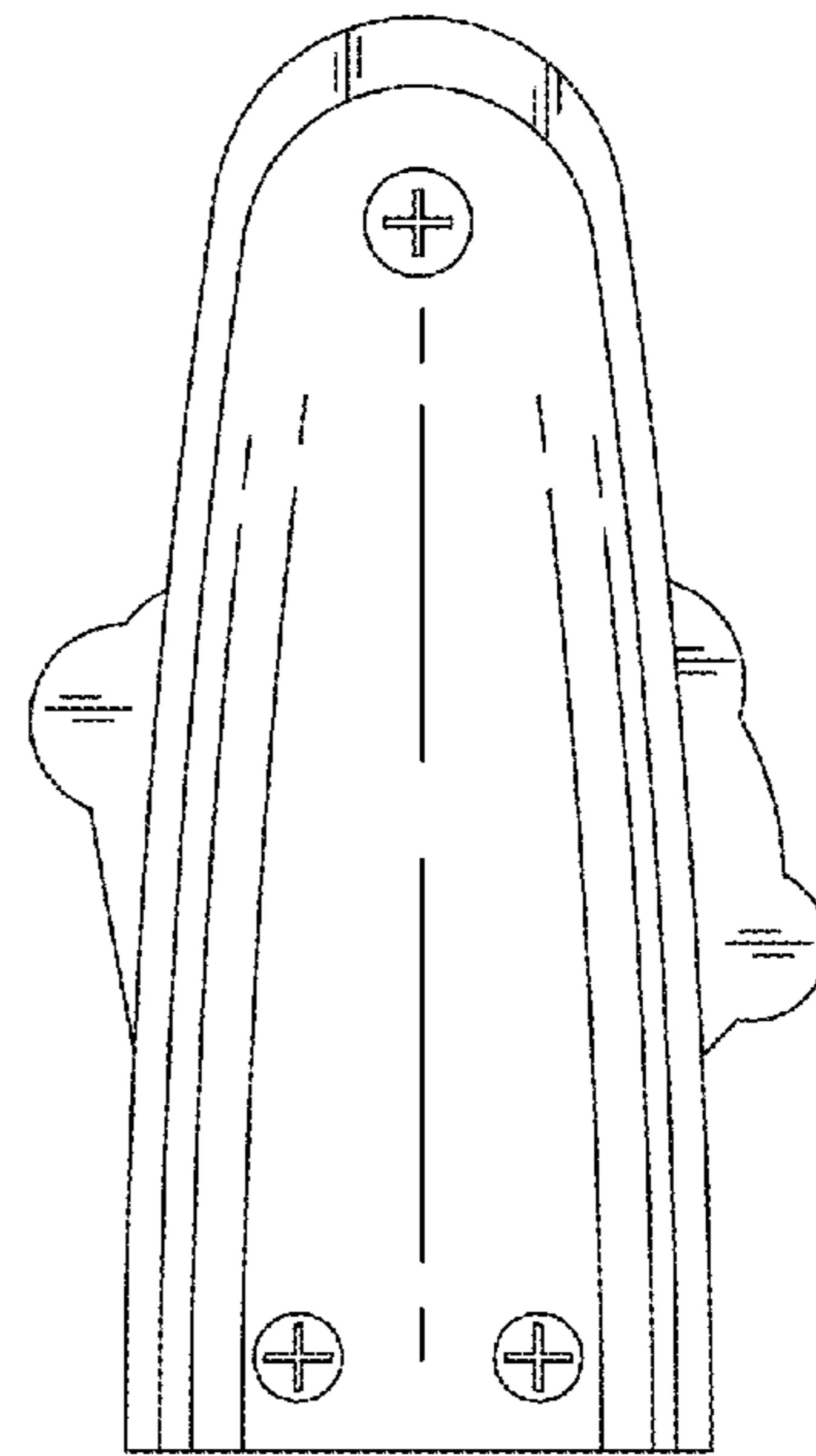


FIG. 5

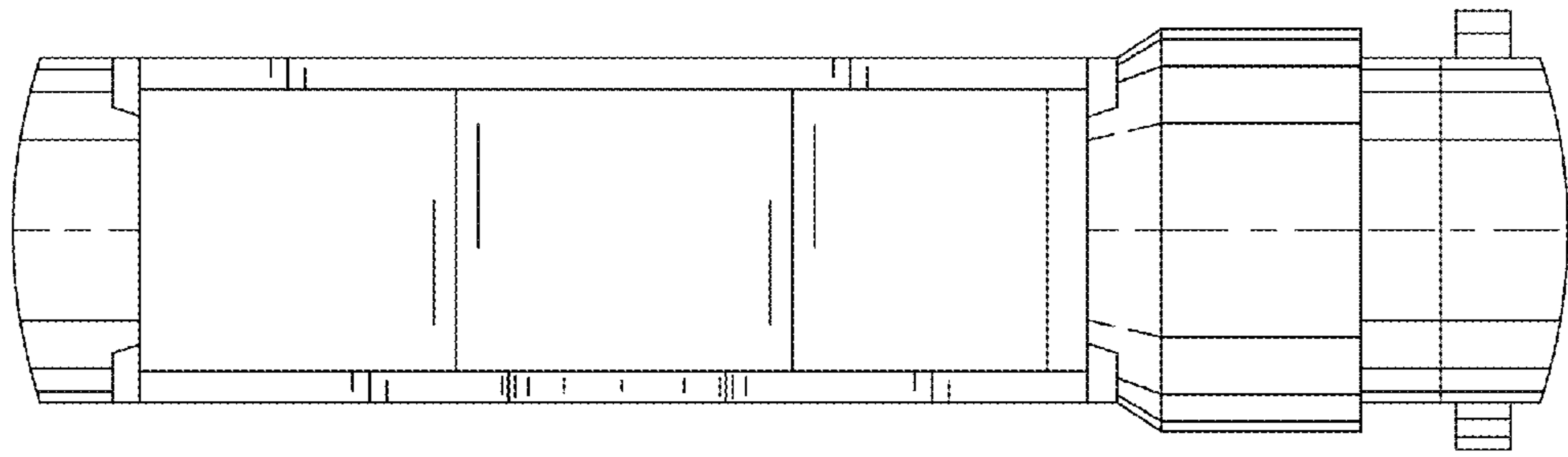


FIG. 6

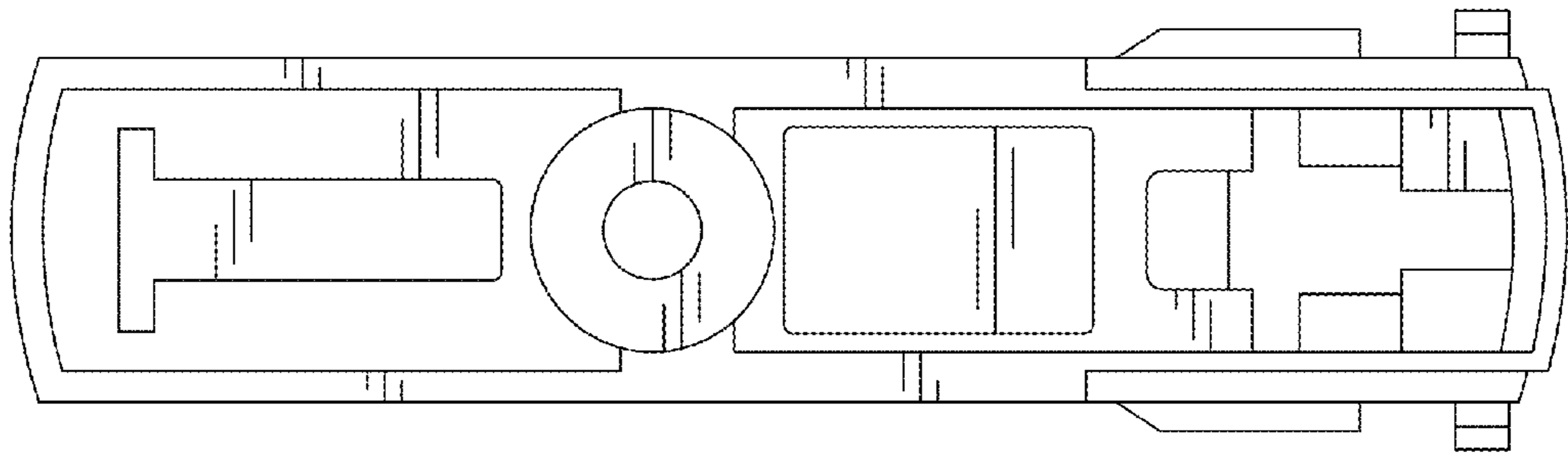


FIG. 7