

US00D669064S

(12) **United States Design Patent**
Huang

(10) **Patent No.:** **US D669,064 S**
(45) **Date of Patent:** **** Oct. 16, 2012**

(54) **MULTI STAND**

(76) Inventor: **Te-Ming Huang**, New Taipei (TW)

(**) Term: **14 Years**

(21) Appl. No.: **29/420,316**

(22) Filed: **May 8, 2012**

(51) **LOC (9) Cl.** **14-03**

(52) **U.S. Cl.** **D14/251**

(58) **Field of Classification Search** D14/140,
D14/142, 149, 155, 157, 188, 191-193, 203.1-203.8,
D14/217, 240, 243, 251, 253, 432-435.1,
D14/447, 451, 496, 474, 480.1-480.7; D13/107,
D13/108, 118; 248/221.11, 309.1; 320/107,
320/110, 113-115; 361/600; 439/529, 534;
455/556.1-556.2, 557

See application file for complete search history.

(56) **References Cited**

U.S. PATENT DOCUMENTS

D364,158 S * 11/1995 Branch D14/137
D571,796 S * 6/2008 Mamizuka et al. D14/251
D603,840 S * 11/2009 Lee et al. D14/217
D631,070 S * 1/2011 Baratta D15/132

D631,735 S * 2/2011 Johnson D8/380
D637,583 S * 5/2011 Beal et al. D14/217
2009/0230161 A1* 9/2009 Emsky 224/257

* cited by examiner

Primary Examiner — Raphael Barkai

Assistant Examiner — Randall Gholson

(74) *Attorney, Agent, or Firm* — Lin & Associates IP, Inc.

(57) **CLAIM**

The ornamental design for a multi stand, as shown and described.

DESCRIPTION

FIG. 1 is a perspective view of a multi stand showing my new design;

FIG. 2 is a front elevational view thereof;

FIG. 3 is a rear elevational view thereof;

FIG. 4 is a left elevational view thereof;

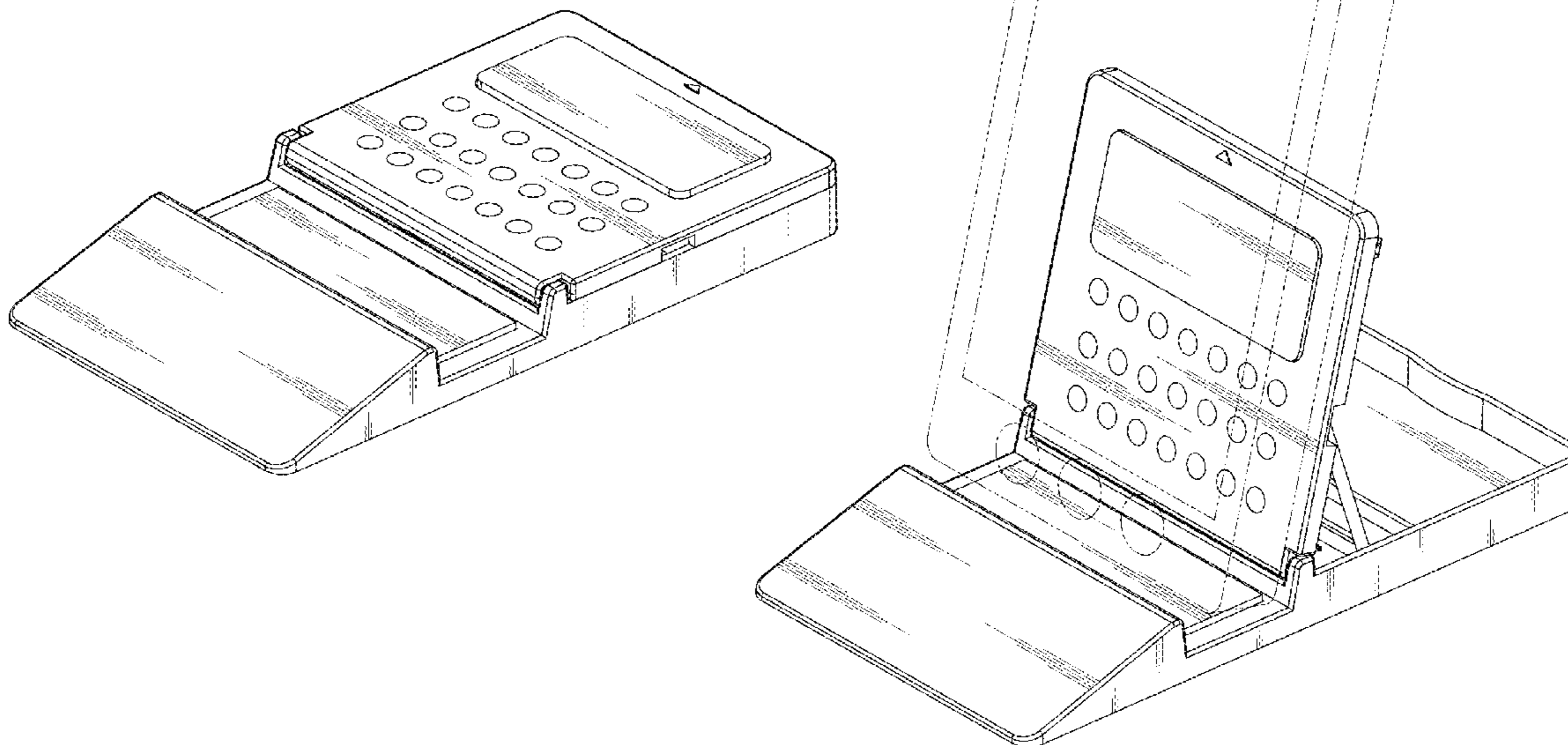
FIG. 5 is a right elevational view thereof;

FIG. 6 is a top view thereof;

FIG. 7 is a bottom view thereof; and,

FIG. 8 is a perspective view of the multi stand showing a state of use thereof.

1 Claim, 8 Drawing Sheets



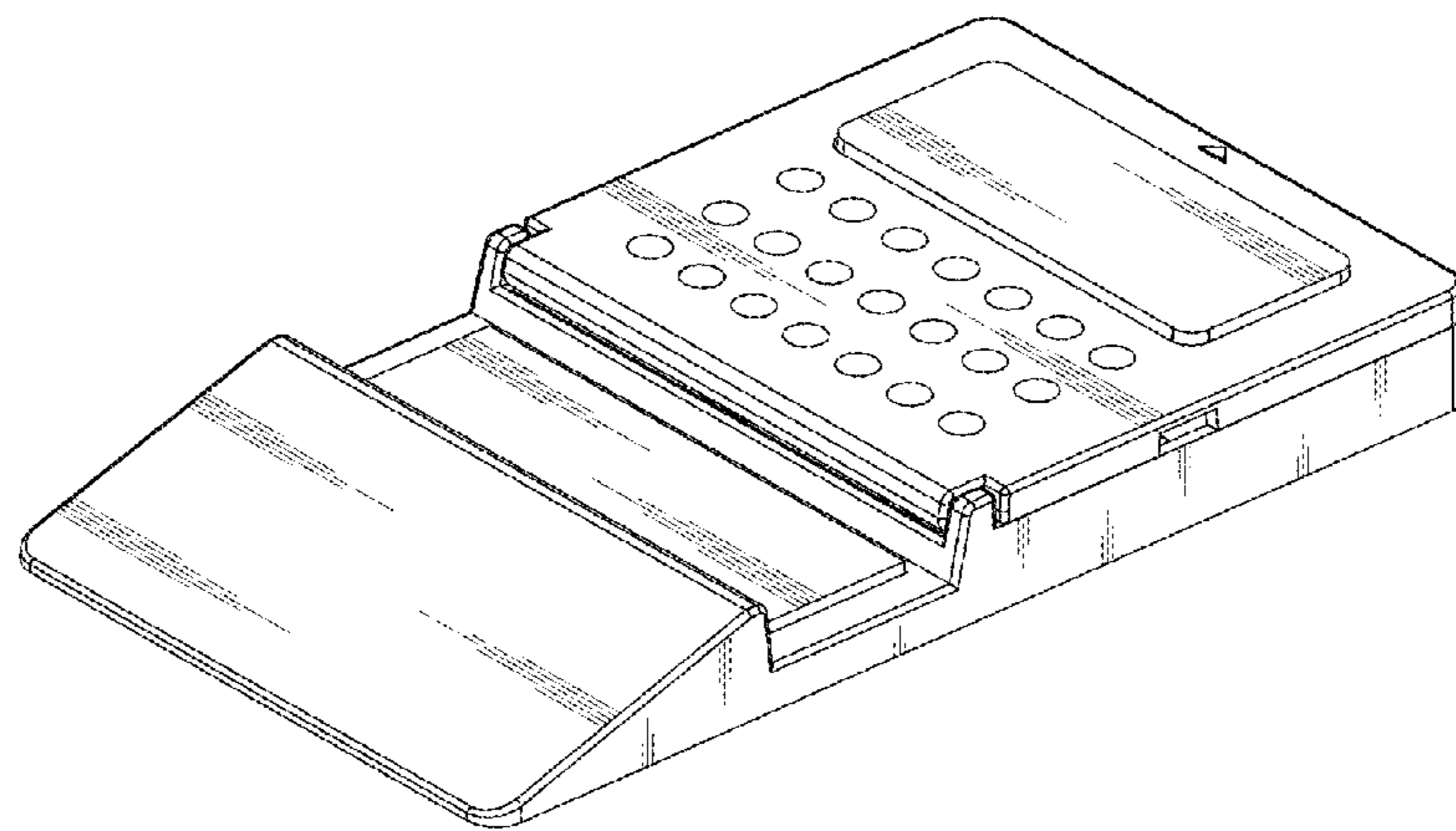


FIG. 1

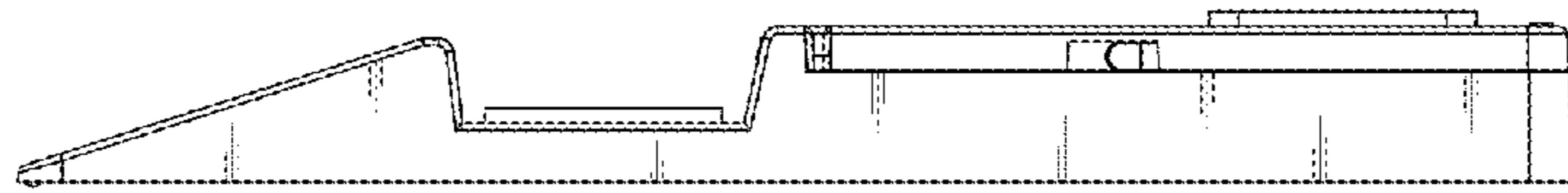


FIG. 2

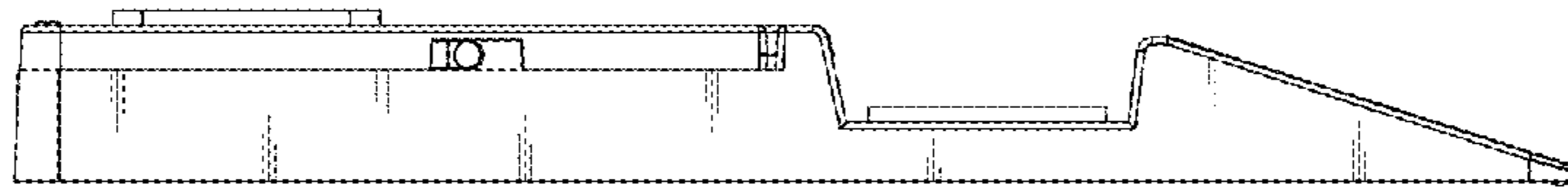


FIG. 3

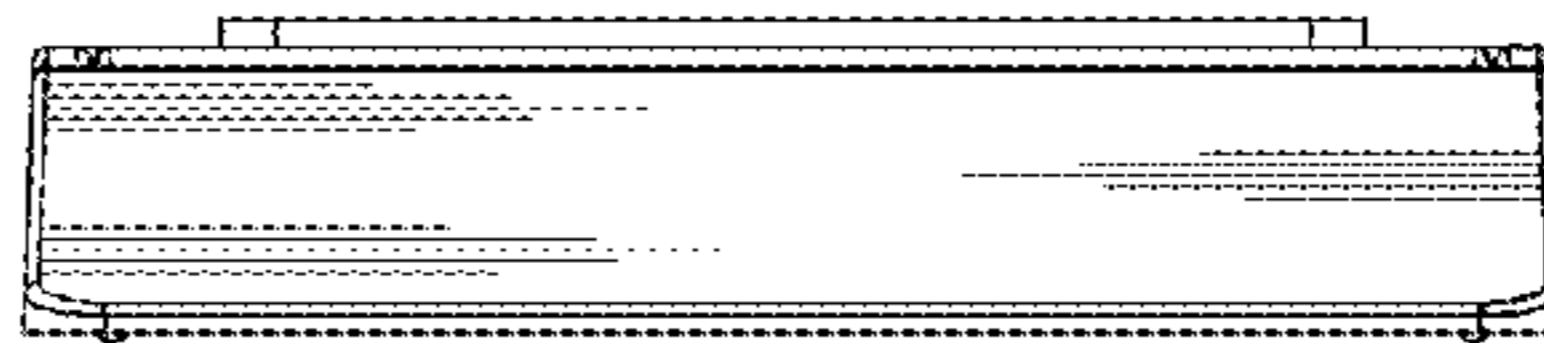


FIG. 4

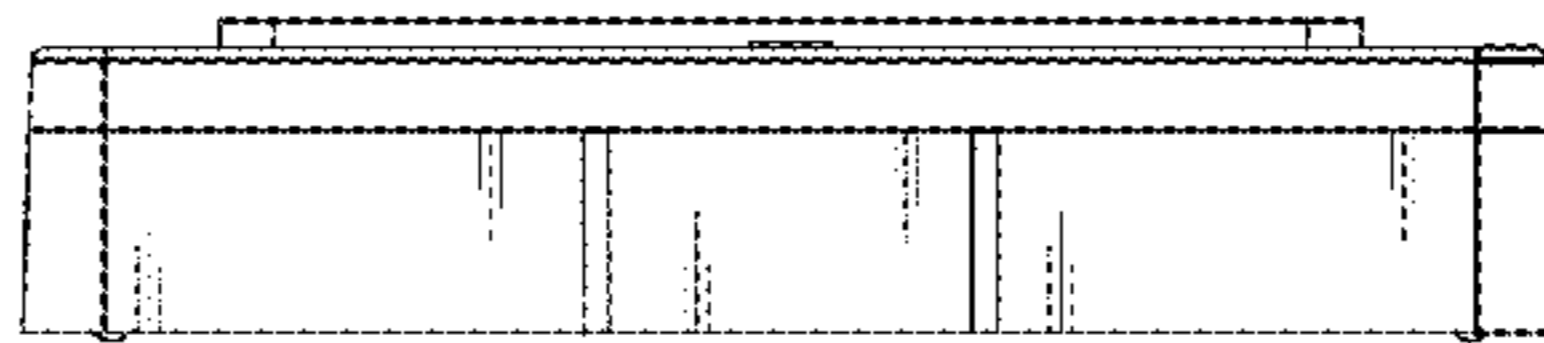


FIG. 5

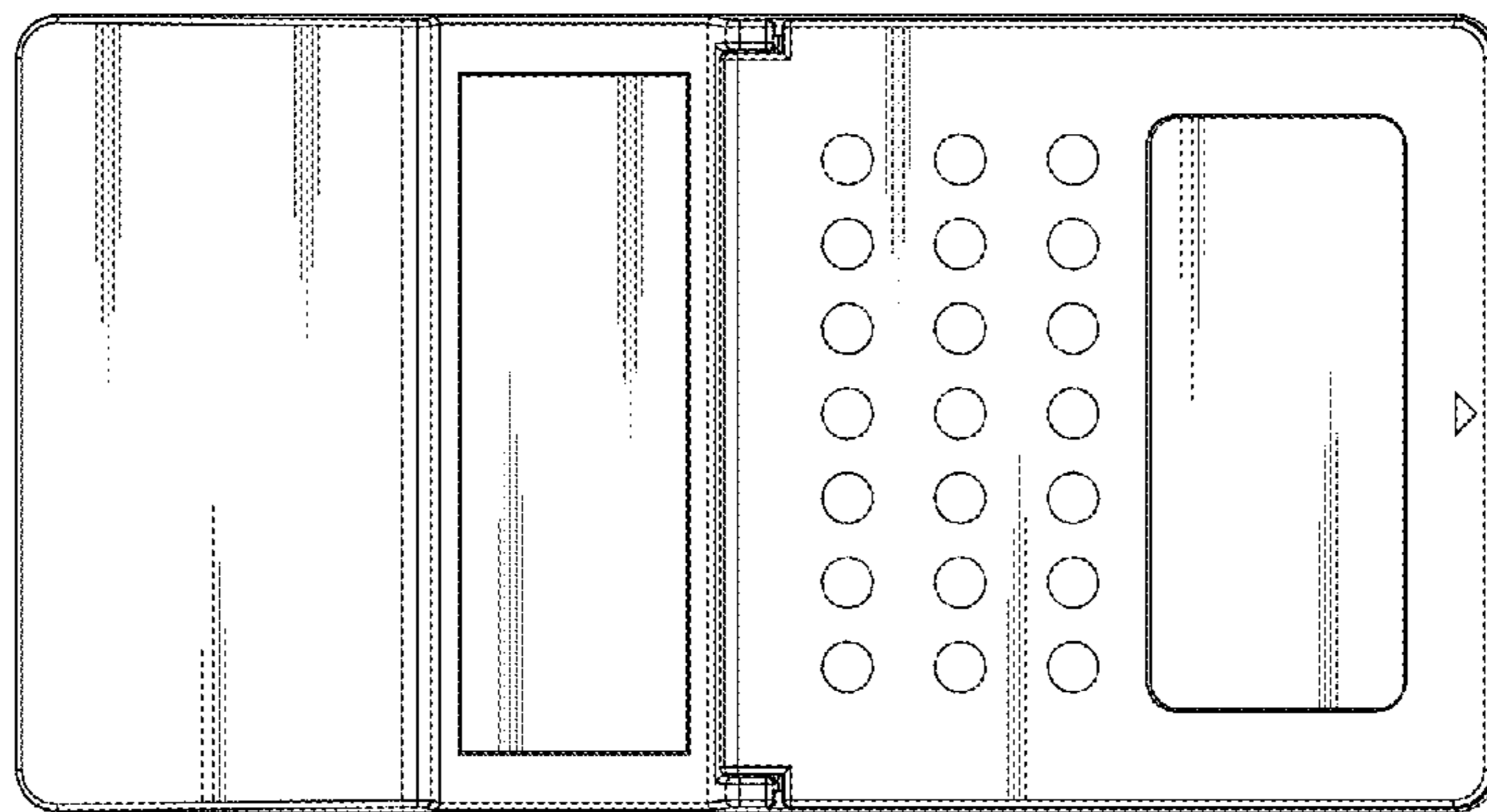


FIG. 6

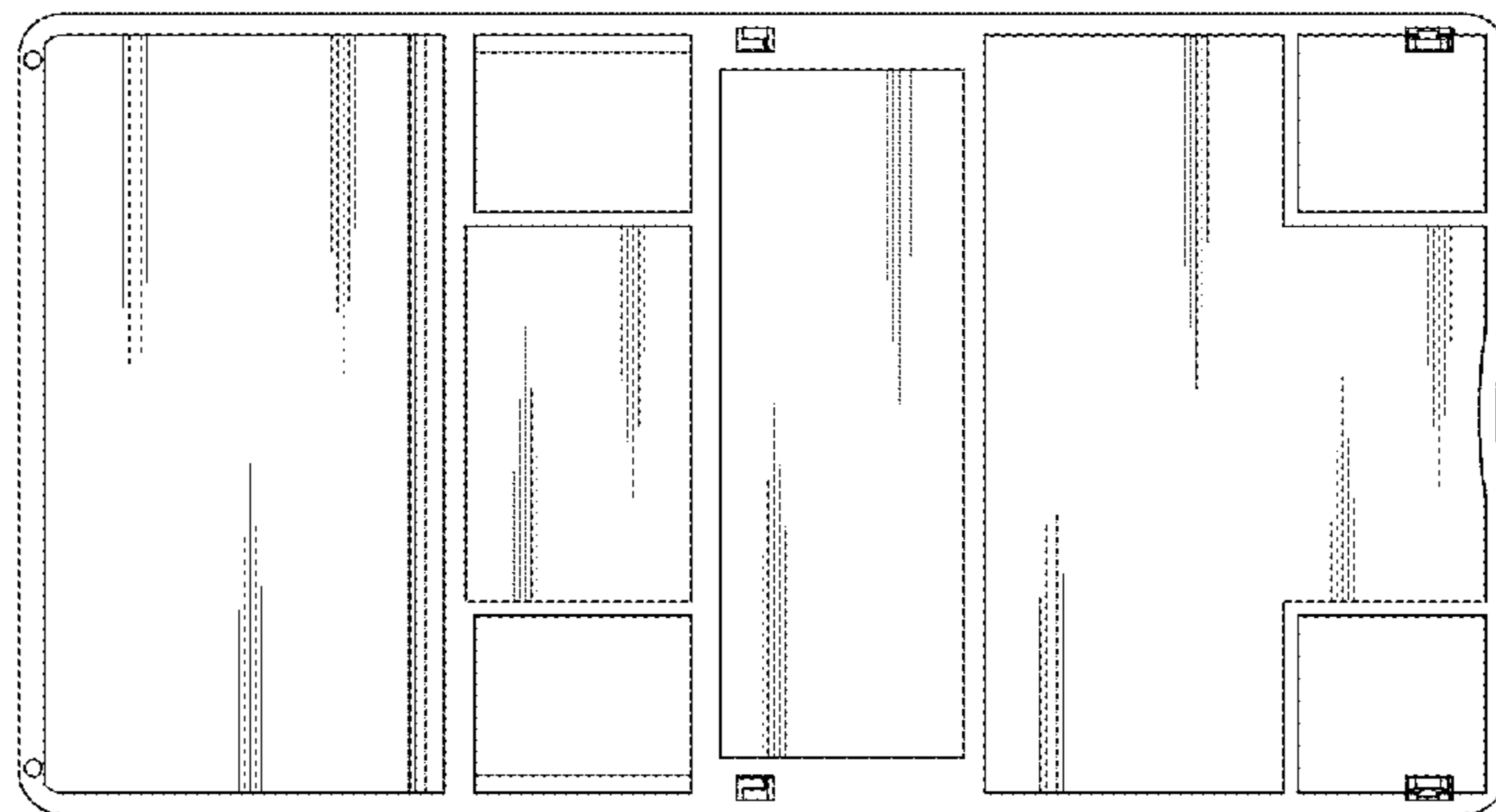


FIG. 7

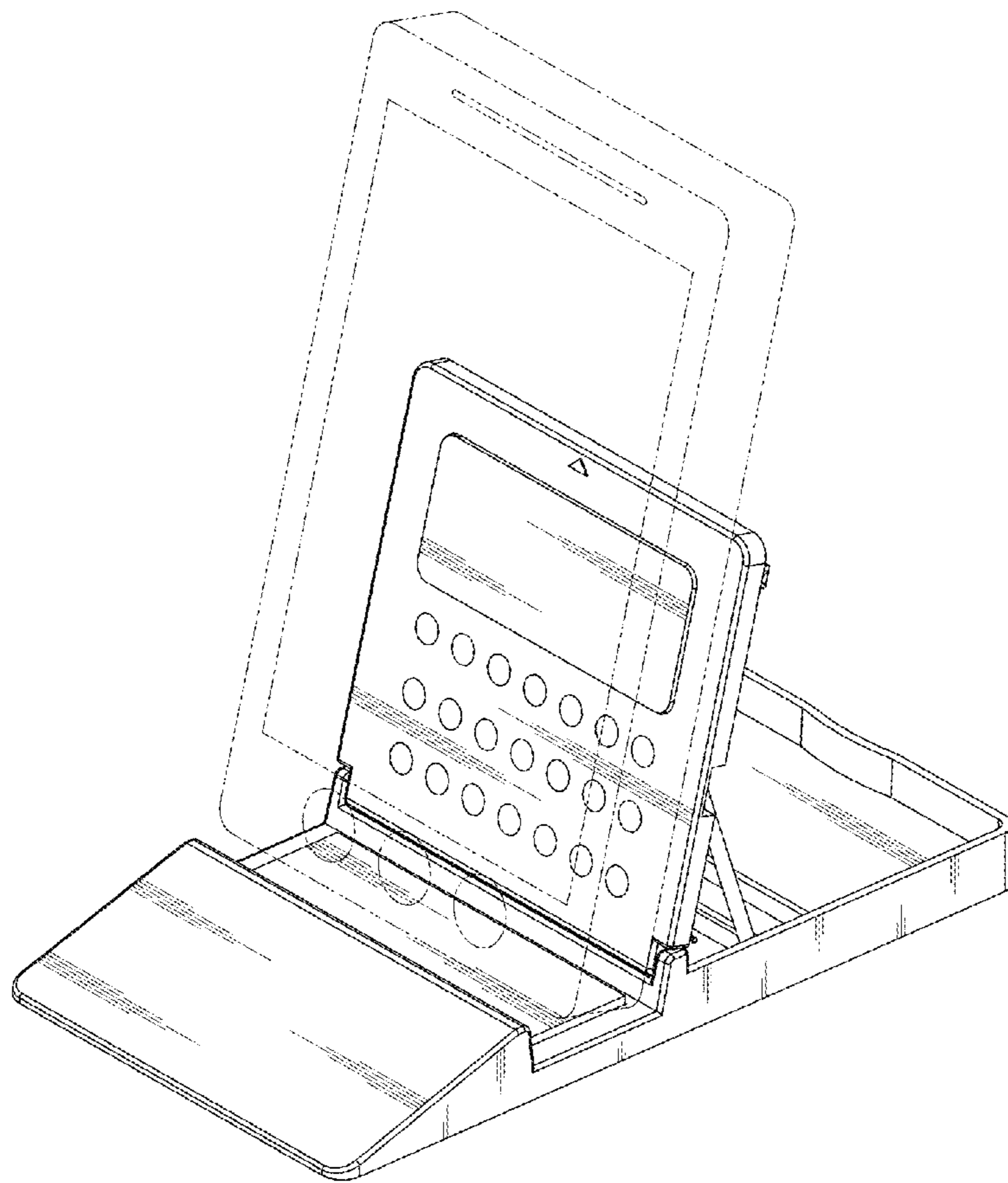


FIG. 8