



US00D669057S

(12) **United States Design Patent**
Zheng et al.

(10) **Patent No.:** **US D669,057 S**

(45) **Date of Patent:** **** Oct. 16, 2012**

(54) **EARPHONE**

(75) Inventors: **Qi Zheng**, Tokyo (JP); **Rui Morisawa**,
Tokyo (JP); **Tomotsugu Minamikawa**,
Tokyo (JP); **Jun Komiyama**, Tokyo (JP);
Taichi Nokuo, Tokyo (JP)

(73) Assignee: **Sony Corporation**, Tokyo (JP)

(**) Term: **14 Years**

(21) Appl. No.: **29/371,938**

(22) Filed: **Feb. 1, 2012**

(30) **Foreign Application Priority Data**

Aug. 2, 2011 (JP) D2011-017731
Aug. 2, 2011 (JP) D2011-017732
Aug. 12, 2011 (CN) 2011 3 0269422
Aug. 12, 2011 (CN) 2011 3 0270343
Aug. 26, 2011 (JP) D2011-019350
Aug. 30, 2011 (JP) D2011-019595
Aug. 31, 2011 (CN) 2011 3 0302002

(51) **LOC (9) Cl.** **14-01**

(52) **U.S. Cl.** **D14/223**

(58) **Field of Classification Search** D14/205,
D14/206, 223; 181/129, 130, 135; 381/380,
381/381; 379/430, 431; 455/90.3, 575.2
See application file for complete search history.

(56) **References Cited**

U.S. PATENT DOCUMENTS

2,641,327 A * 6/1953 Balmer 181/129
D242,724 S * 12/1976 Brodie D14/205
4,020,297 A * 4/1977 Brodie 379/430
4,617,431 A * 10/1986 Scott et al. 381/344
D311,521 S * 10/1990 Jonsson et al. D14/226
5,412,736 A * 5/1995 Keliiliki 381/381
D375,959 S * 11/1996 Davis et al. D14/223
5,625,171 A * 4/1997 Marshall 181/130
5,761,298 A * 6/1998 Davis et al. 379/430
D403,327 S * 12/1998 Landreth et al. D14/223
6,104,824 A * 8/2000 Ito 381/381
D441,739 S * 5/2001 Hayes et al. D14/223

D457,156 S * 5/2002 Nguyen D14/223
D474,178 S * 5/2003 Eroma D14/223
D501,196 S * 1/2005 Dyer et al. D14/205
7,089,042 B2 * 8/2006 Bodley 455/569.1
D556,740 S * 12/2007 Xavier D14/223
D558,110 S * 12/2007 Ozeki et al. D12/192
D565,557 S * 4/2008 Kaneda D14/226
D575,772 S * 8/2008 Schultz et al. D14/223
D581,395 S * 11/2008 Sade et al. D14/205
7,708,110 B2 * 5/2010 Leong et al. 181/135

(Continued)

Primary Examiner — Paula Greene

(74) *Attorney, Agent, or Firm* — Rader, Fishman & Grauer
PLLC

(57) **CLAIM**

The ornamental design for an earphone, as shown and
described.

DESCRIPTION

FIG. 1 is a perspective view of an earphone showing my new
design;

FIG. 2 is a top plan view thereof;

FIG. 3 is a left side elevational view thereof;

FIG. 4 is a right side elevational view thereof;

FIG. 5 is a perspective view thereof wherein the earphone is
in an extended position;

FIG. 6 is a front elevational view thereof;

FIG. 7 is a left side elevational view thereof;

FIG. 8 is a right side elevational view thereof;

FIG. 9 is a top plan view thereof; and

FIG. 10 is a bottom plan view thereof.

FIG. 11 is an enlarged perspective view thereof along the line
11-11 of FIG. 5.

FIG. 12 is an enlarged cross sectional view thereof along the
line 12-12 of FIG. 6.

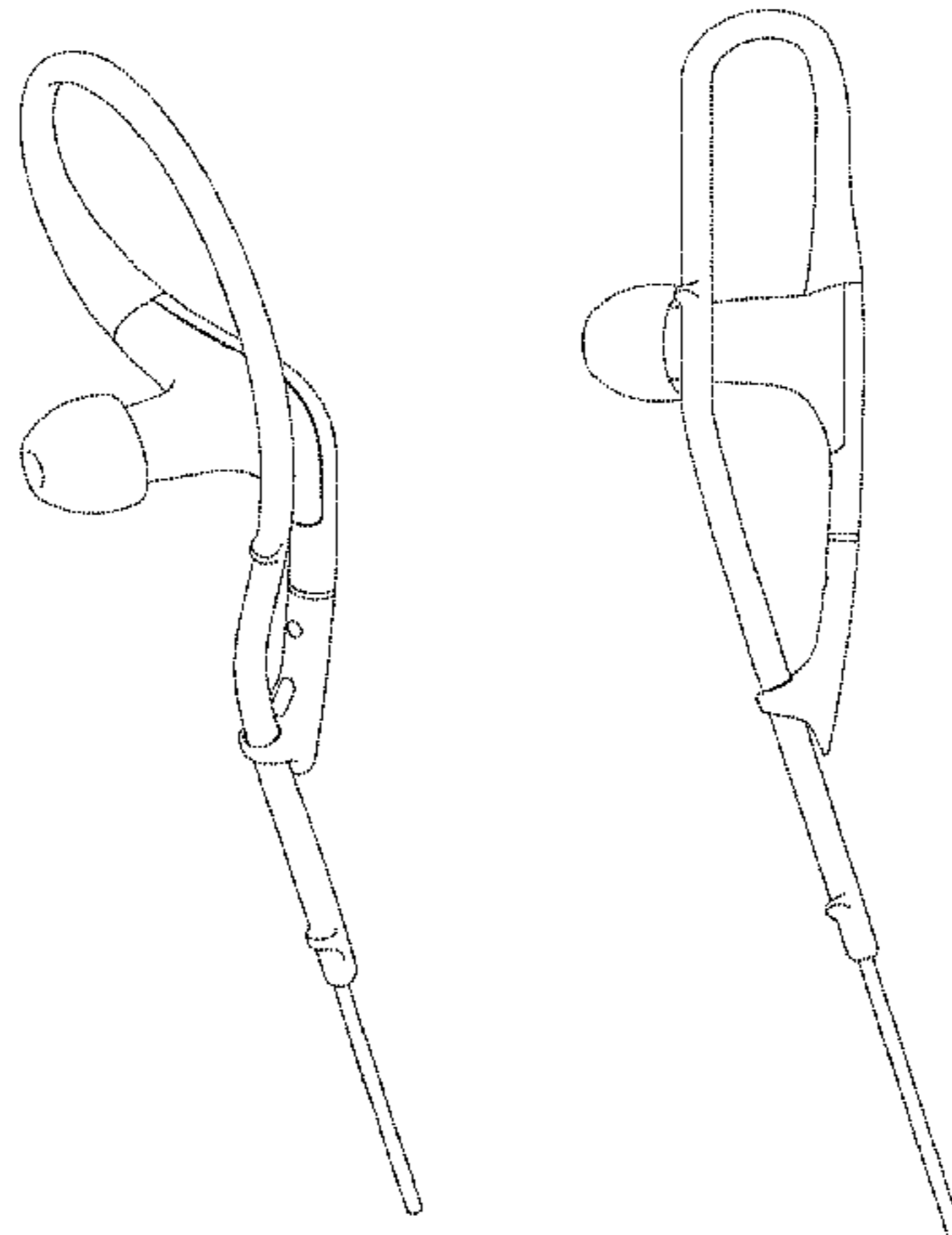
FIG. 13 is an enlarged front elevational view thereof along the
line 13-13 of FIG. 6.

FIG. 14 is an enlarged right side elevational view thereof
along the line 14-14 of FIG. 8.

FIG. 15 is an enlarged cross sectional view thereof along the
lines 15-15 and 15'-15' of FIGS. 12 and 13 respectively; and,

FIG. 16 is an enlarged cross sectional view thereof along the
line 16-16 of FIG. 14.

1 Claim, 13 Drawing Sheets



US D669,057 S

Page 2

U.S. PATENT DOCUMENTS

D619,561 S *	7/2010	Yang	D14/205	D643,418 S *	8/2011	Lee et al.	D14/223
D624,529 S *	9/2010	Huang	D14/223	D645,454 S *	9/2011	Quek	D14/223
D635,960 S *	4/2011	Gondo et al.	D14/223	D645,458 S *	9/2011	Silvestri et al.	D14/223
D639,787 S *	6/2011	Quek	D14/223	2009/0141923 A1*	6/2009	Smith	381/371

* cited by examiner

FIG. 1

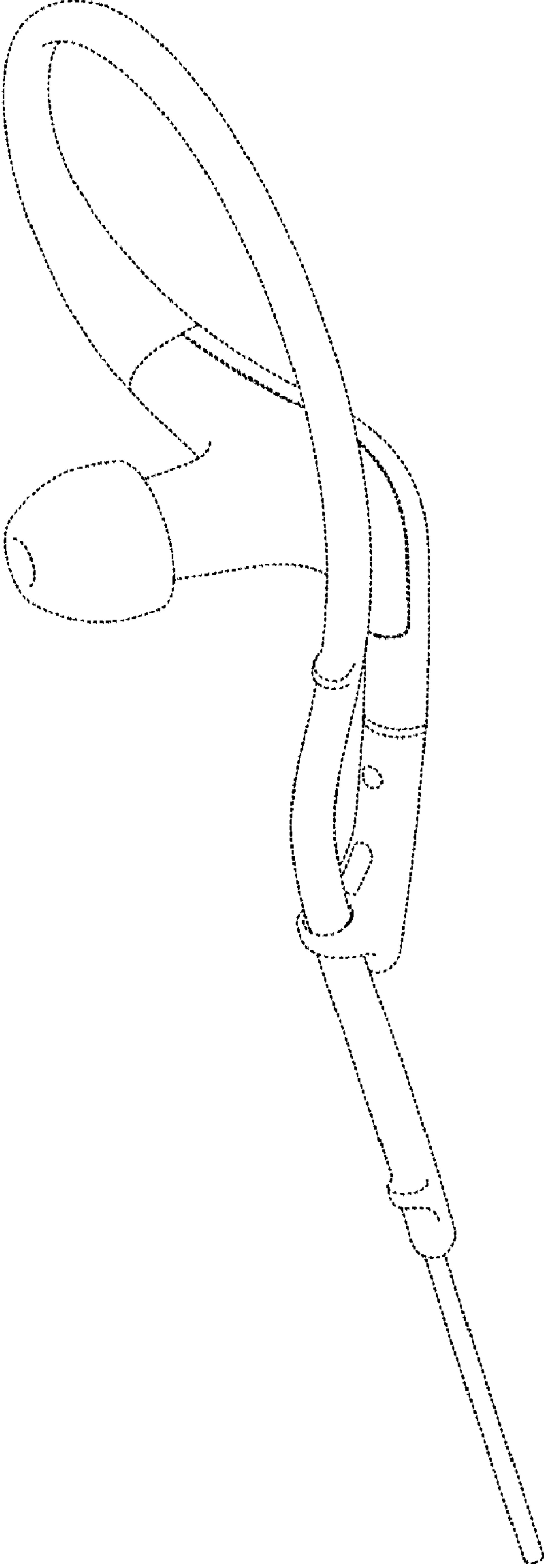


FIG.2

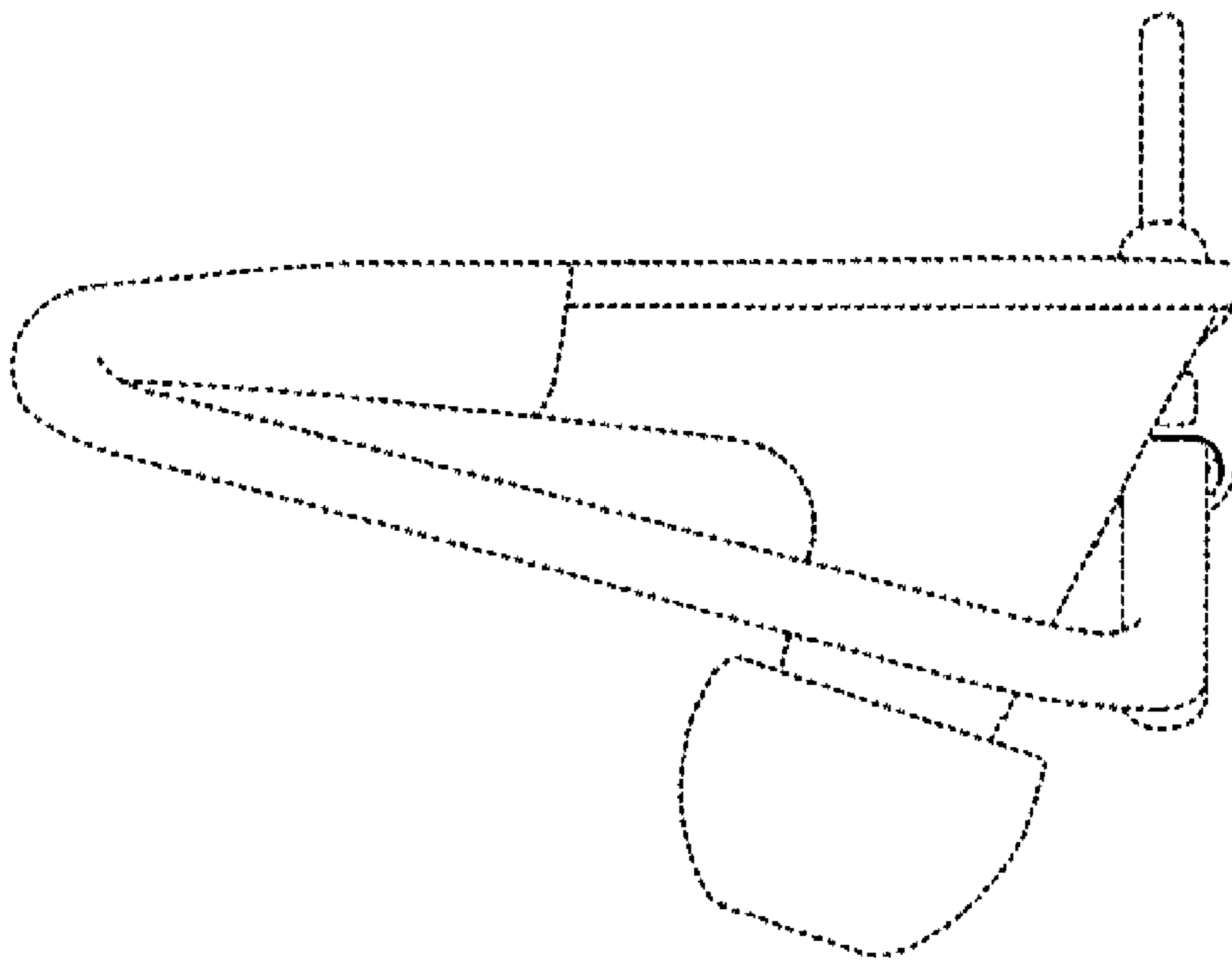


FIG.3

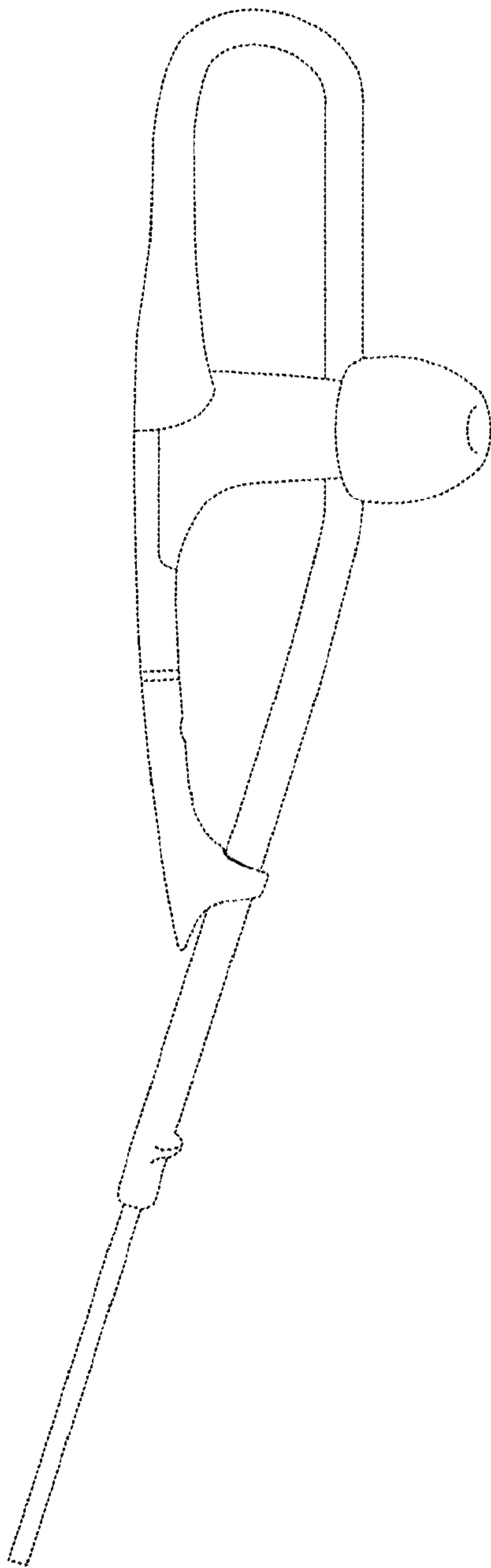


FIG.4

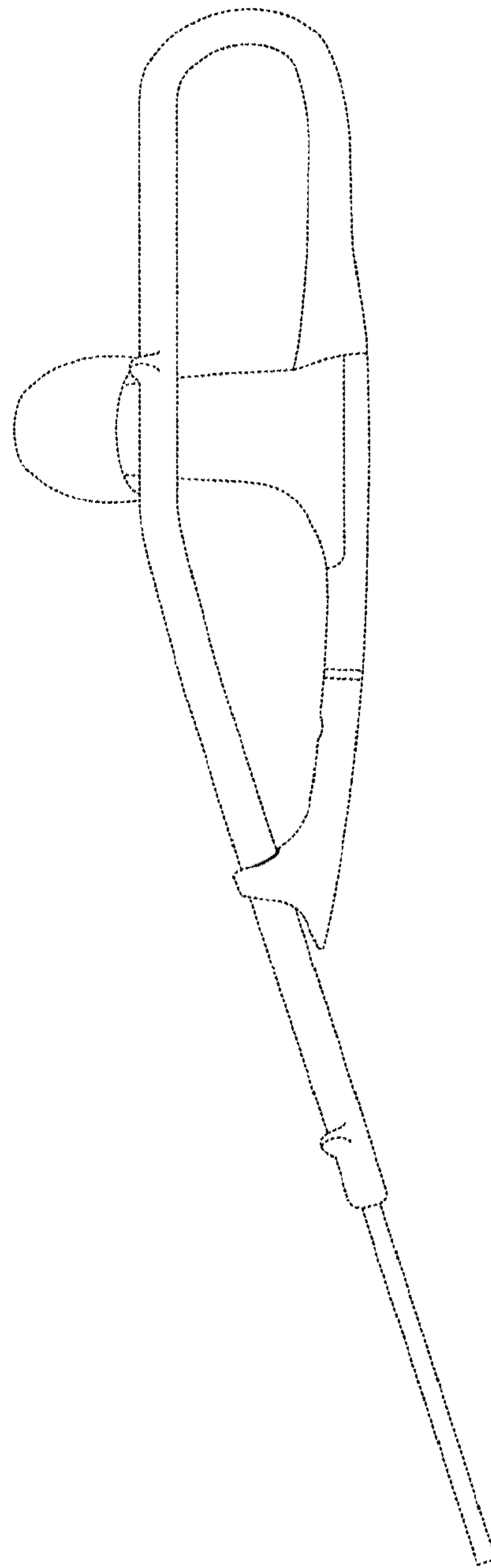


FIG.5

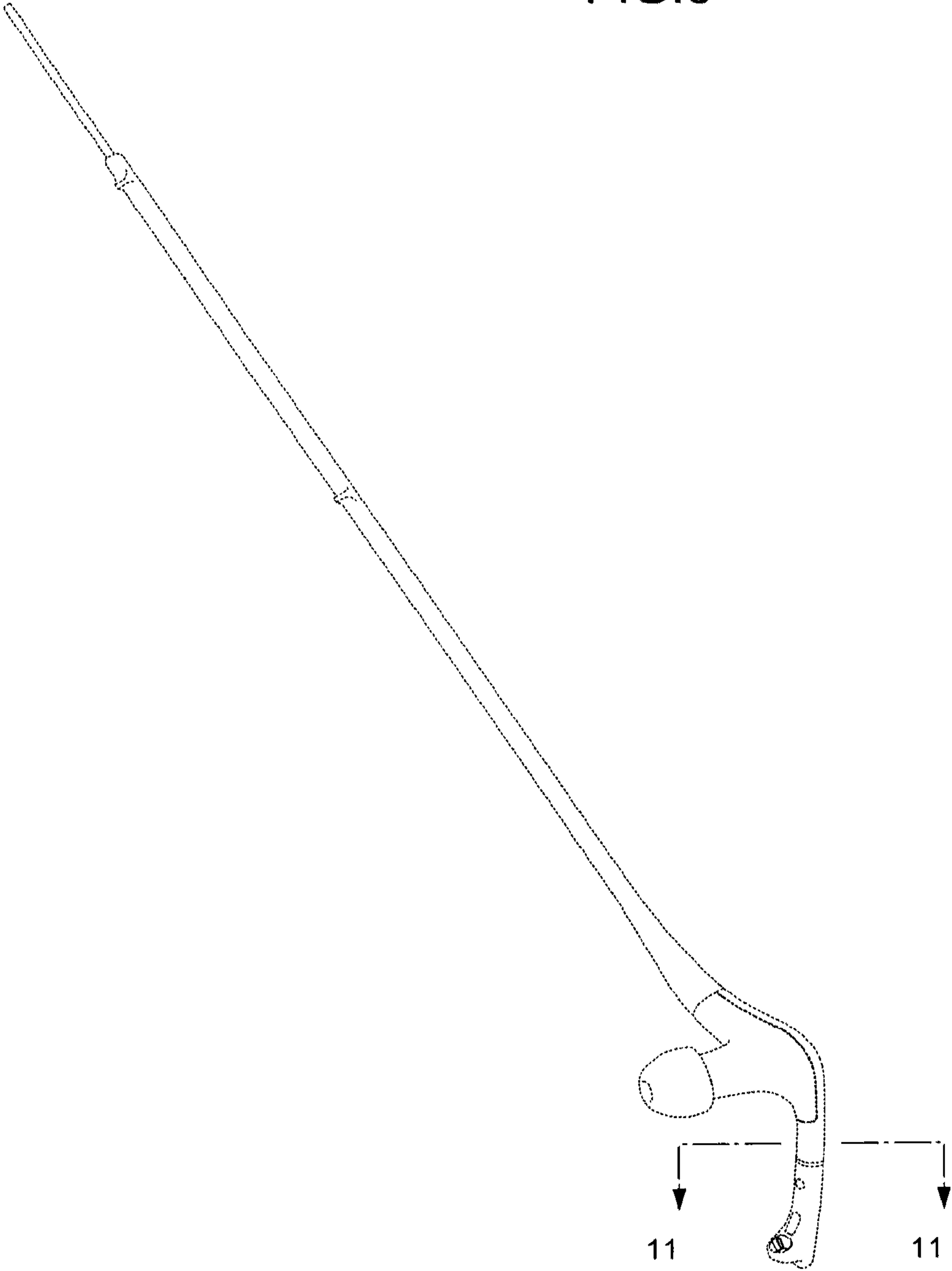


FIG.6

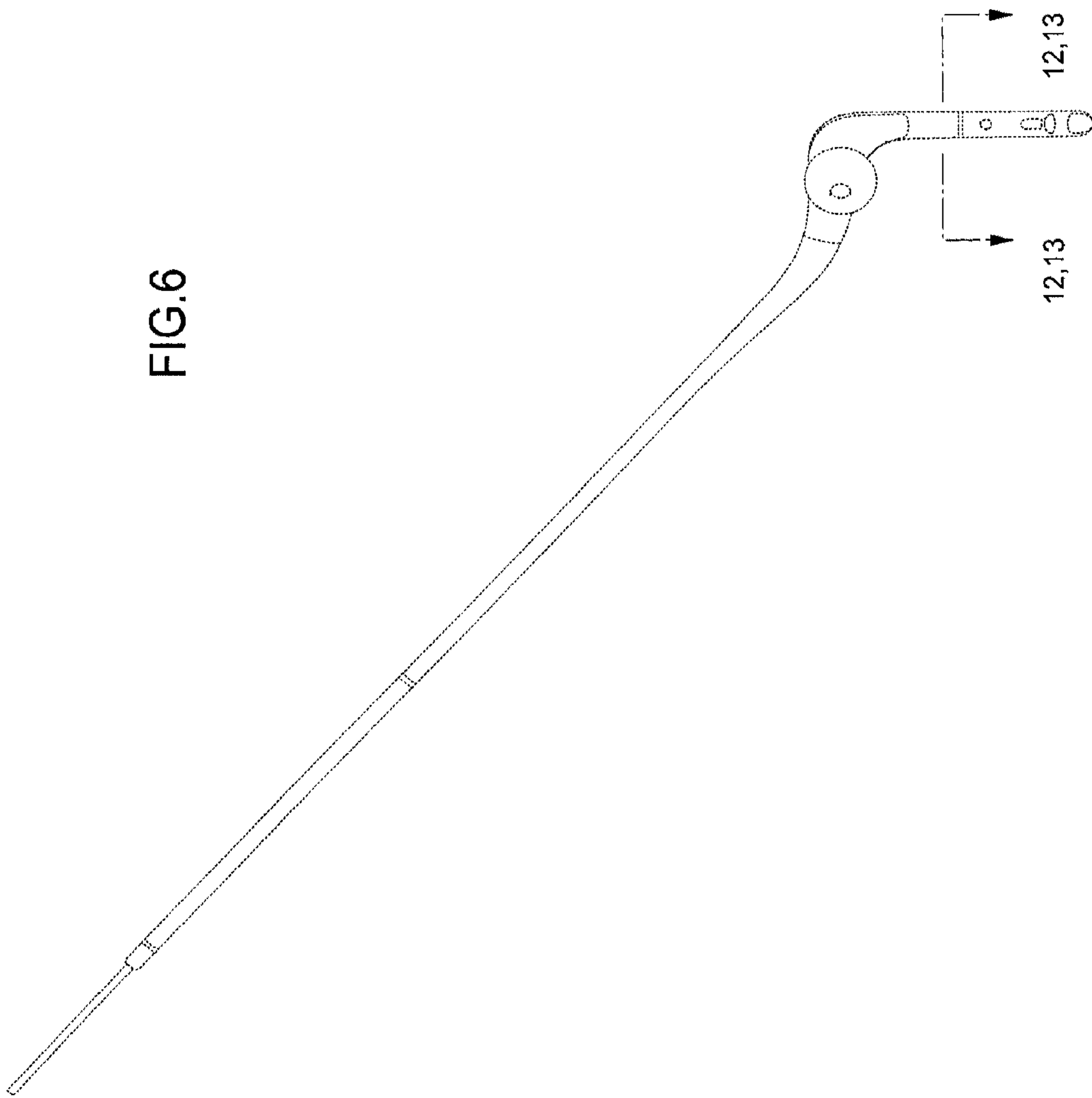


FIG.7

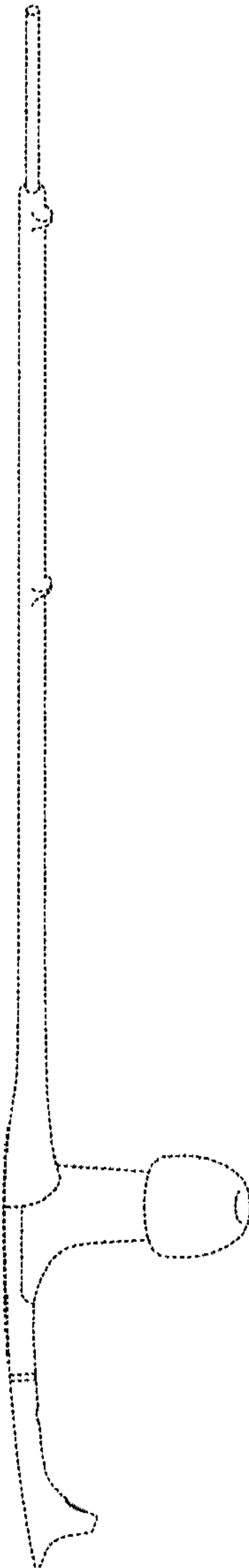


FIG.8

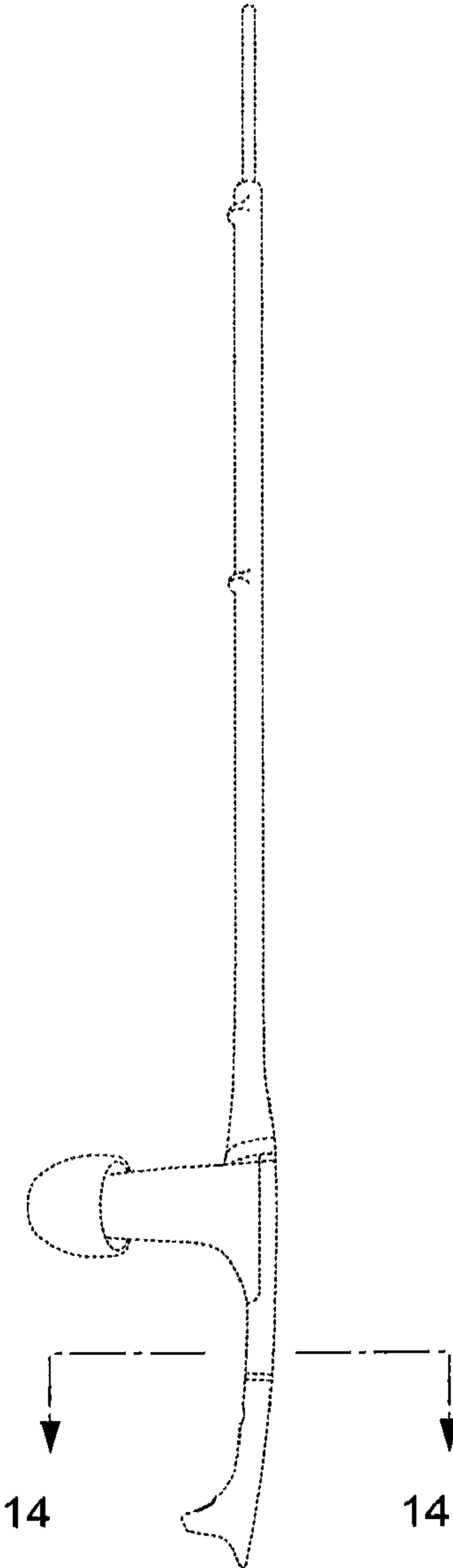


FIG.9

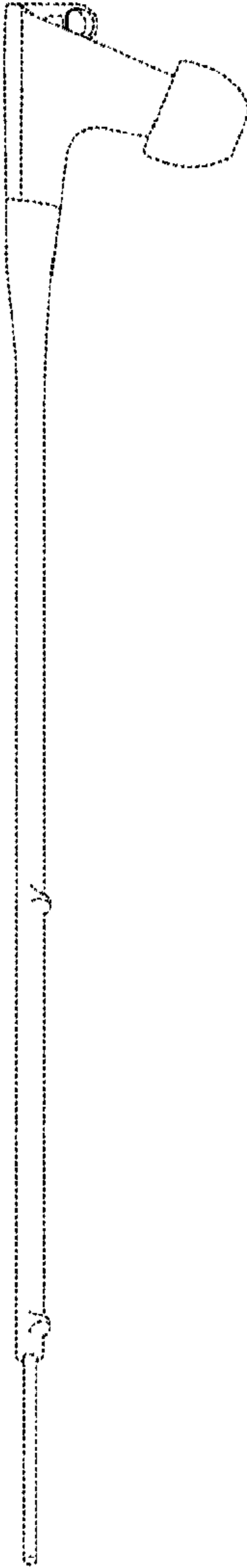


FIG.10

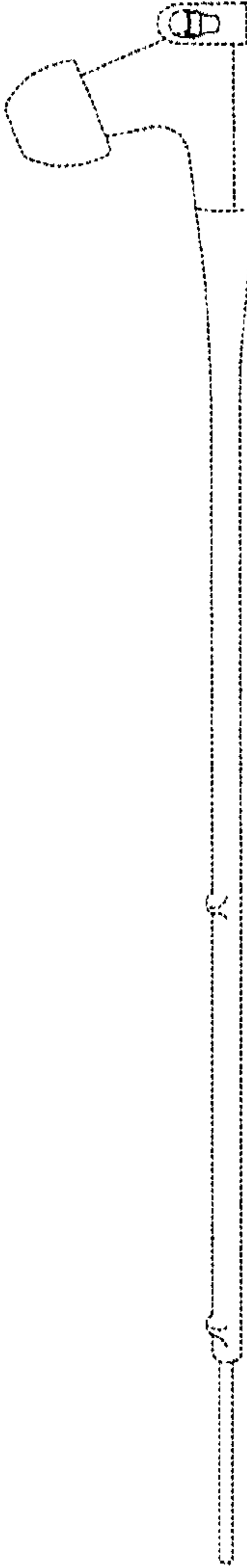


FIG. 11

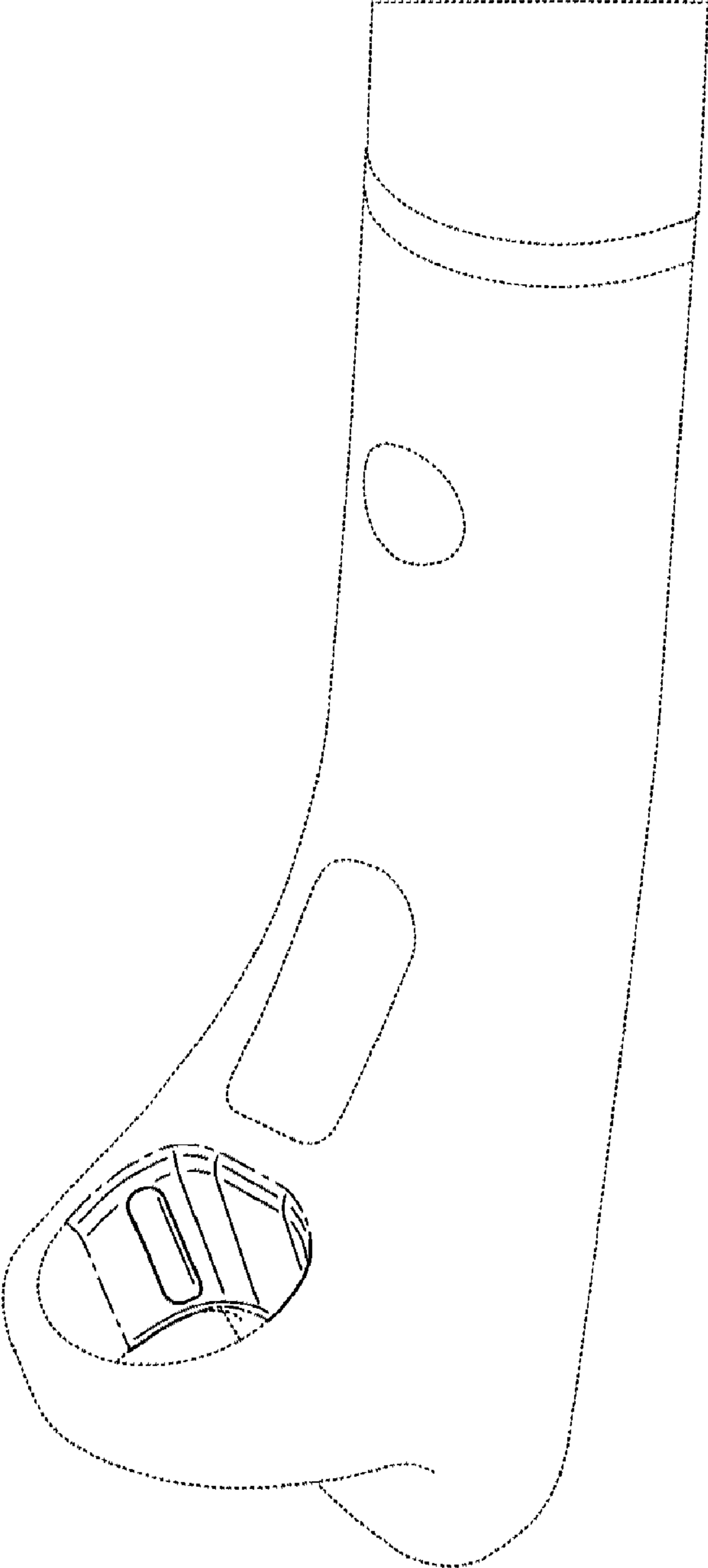


FIG. 12

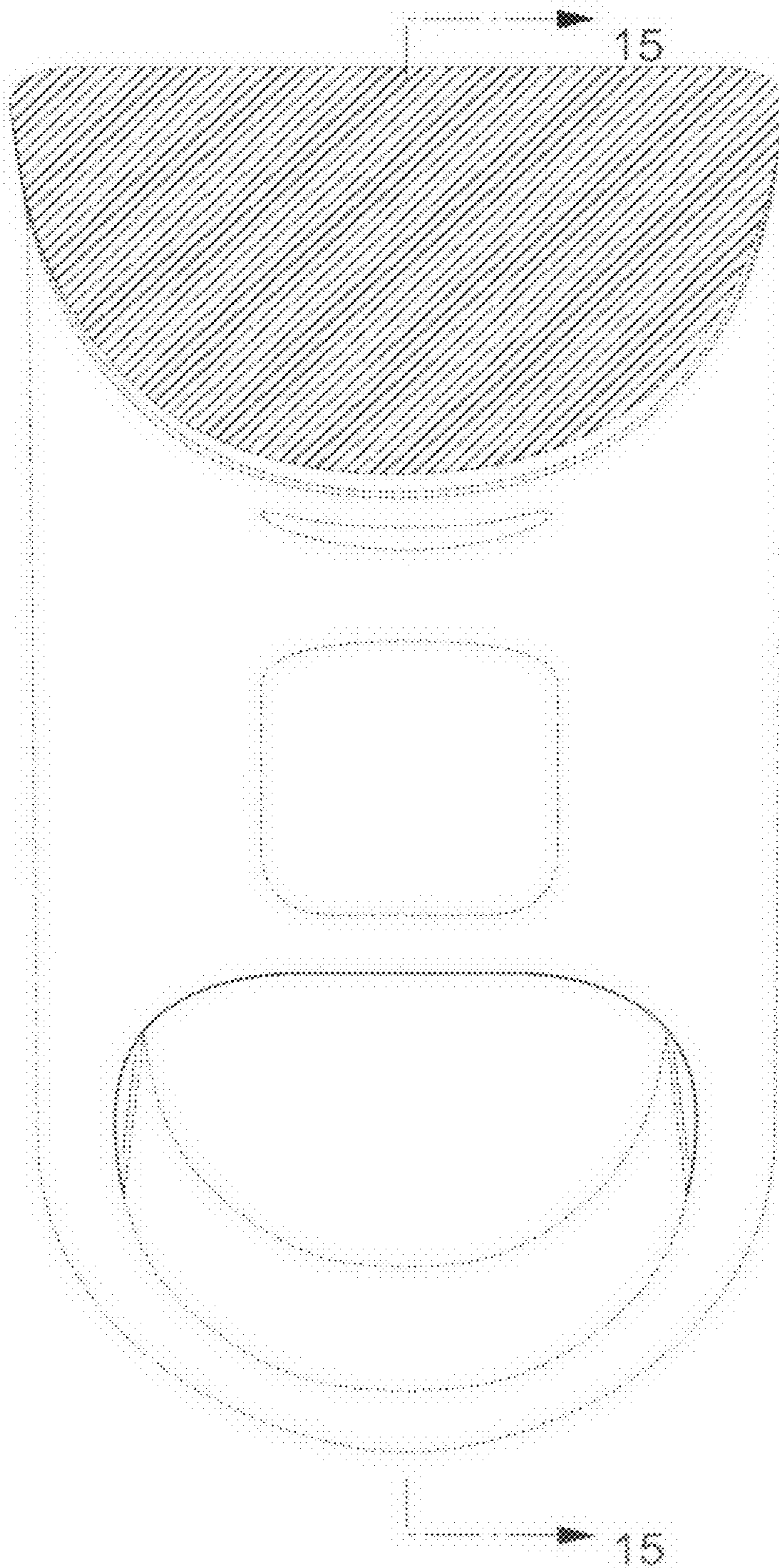


FIG. 13

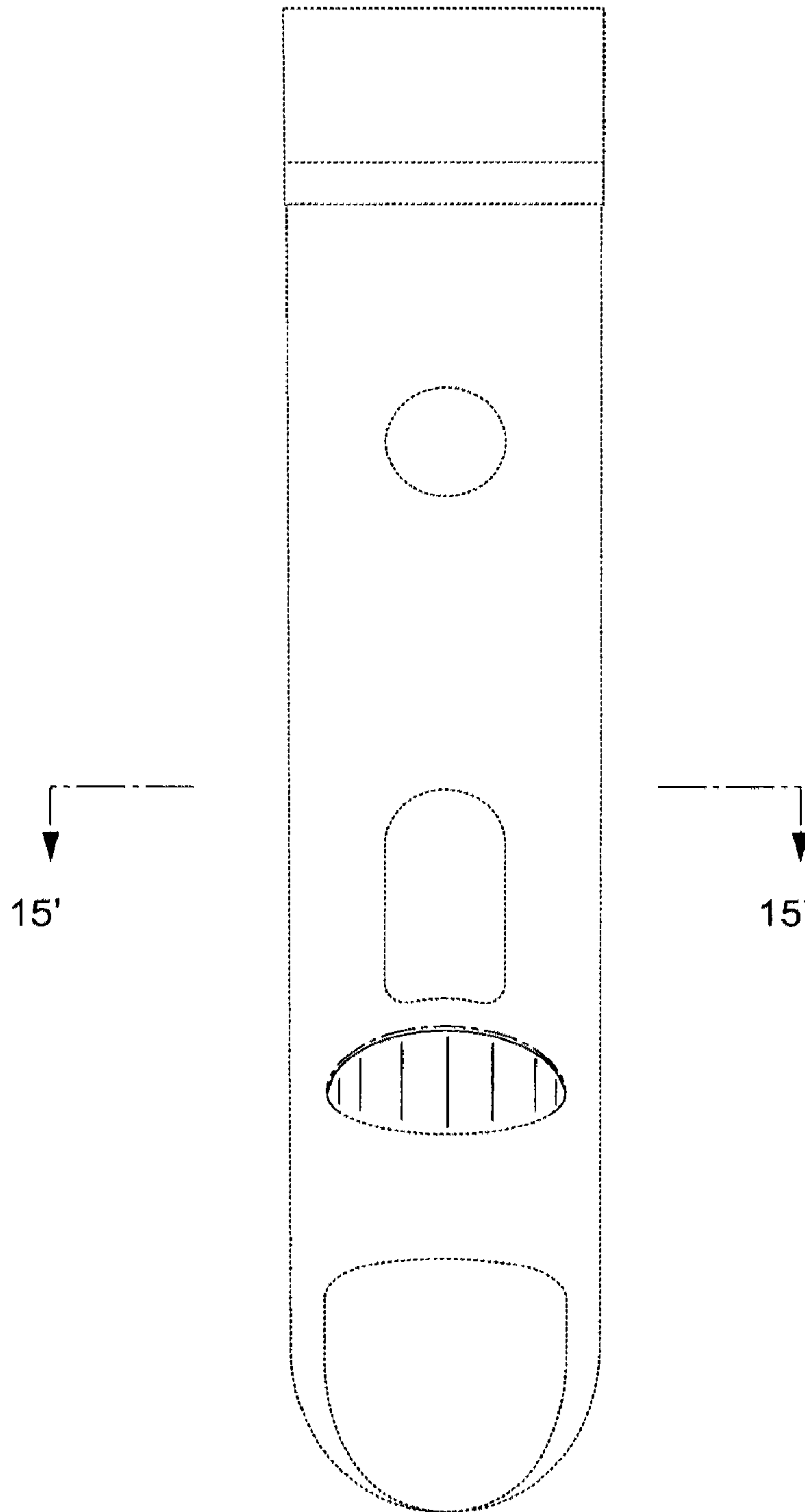
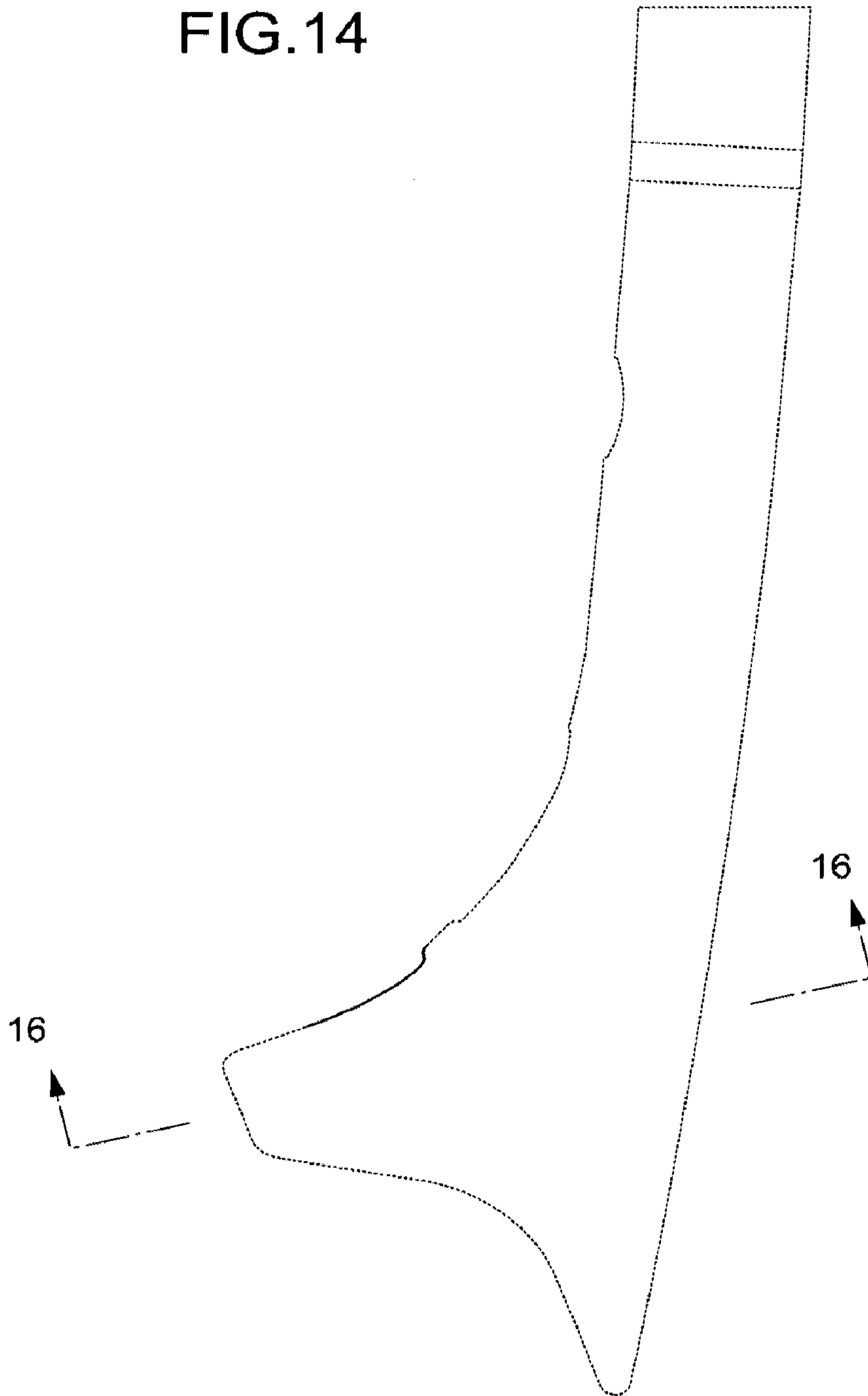


FIG.14



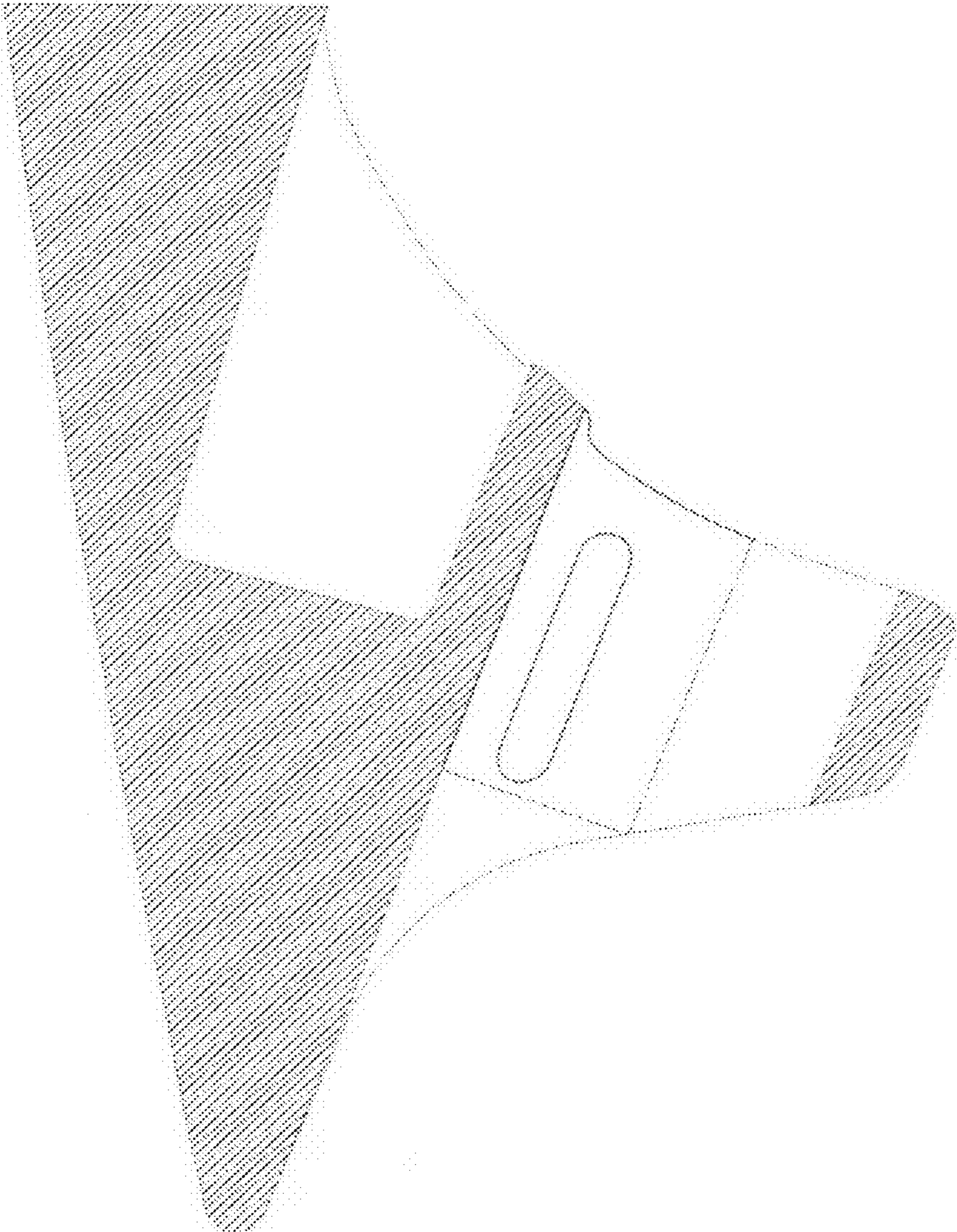


FIG. 15

FIG. 16

