



US00D669055S

(12) **United States Design Patent**
Chiu

(10) **Patent No.:** **US D669,055 S**
(45) **Date of Patent:** **** Oct. 16, 2012**

(54) **REMOTE CONTROL**

(75) Inventor: **Yi-Chung Chiu**, Taoyuan County (TW)

(73) Assignee: **Hannspree, Inc.**, New Taipei (TW)

(**) Term: **14 Years**

(21) Appl. No.: **29/408,149**

(22) Filed: **Dec. 7, 2011**

(51) **LOC (9) Cl.** **14-03**

(52) **U.S. Cl.** **D14/218**

(58) **Field of Classification Search** D14/218,
D14/455; D13/168; D21/566; D10/104,
D10/106; 345/169; 348/14.05, 114, 211.99,
348/734; 340/825.24; 341/22; 455/92, 95,
455/128, 151.1–151.4, 352, 355, FOR. 121;
700/65

See application file for complete search history.

(56) **References Cited**

U.S. PATENT DOCUMENTS

D448,358 S *	9/2001	Tickle et al.	D14/218
D465,213 S *	11/2002	Baumert et al.	D14/218
D468,365 S *	1/2003	Bransky et al.	D21/329
D485,546 S *	1/2004	Olson et al.	D14/218
D499,396 S *	12/2004	Lin	D14/218
D516,545 S *	3/2006	Lai	D14/218

D527,724 S *	9/2006	Lin	D14/218
D548,727 S *	8/2007	Sagawa et al.	D14/218
D551,218 S *	9/2007	Cassina et al.	D14/230
D567,802 S *	4/2008	Cheng	D14/218
D573,981 S *	7/2008	Hoehn et al.	D14/218
D600,681 S *	9/2009	Tsao	D14/218
D629,393 S *	12/2010	Chiu	D14/218

* cited by examiner

Primary Examiner — John Windmuller

(74) *Attorney, Agent, or Firm* — Ming Chow; Sinorica, LLC

(57) **CLAIM**

The ornamental design for a remote control, as shown and described.

DESCRIPTION

FIG. 1. is a perspective view of a remote control showing my new design;

FIG. 2. is a front elevational view thereof;

FIG. 3. is a rear elevational view thereof;

FIG. 4. is a left side elevational view thereof;

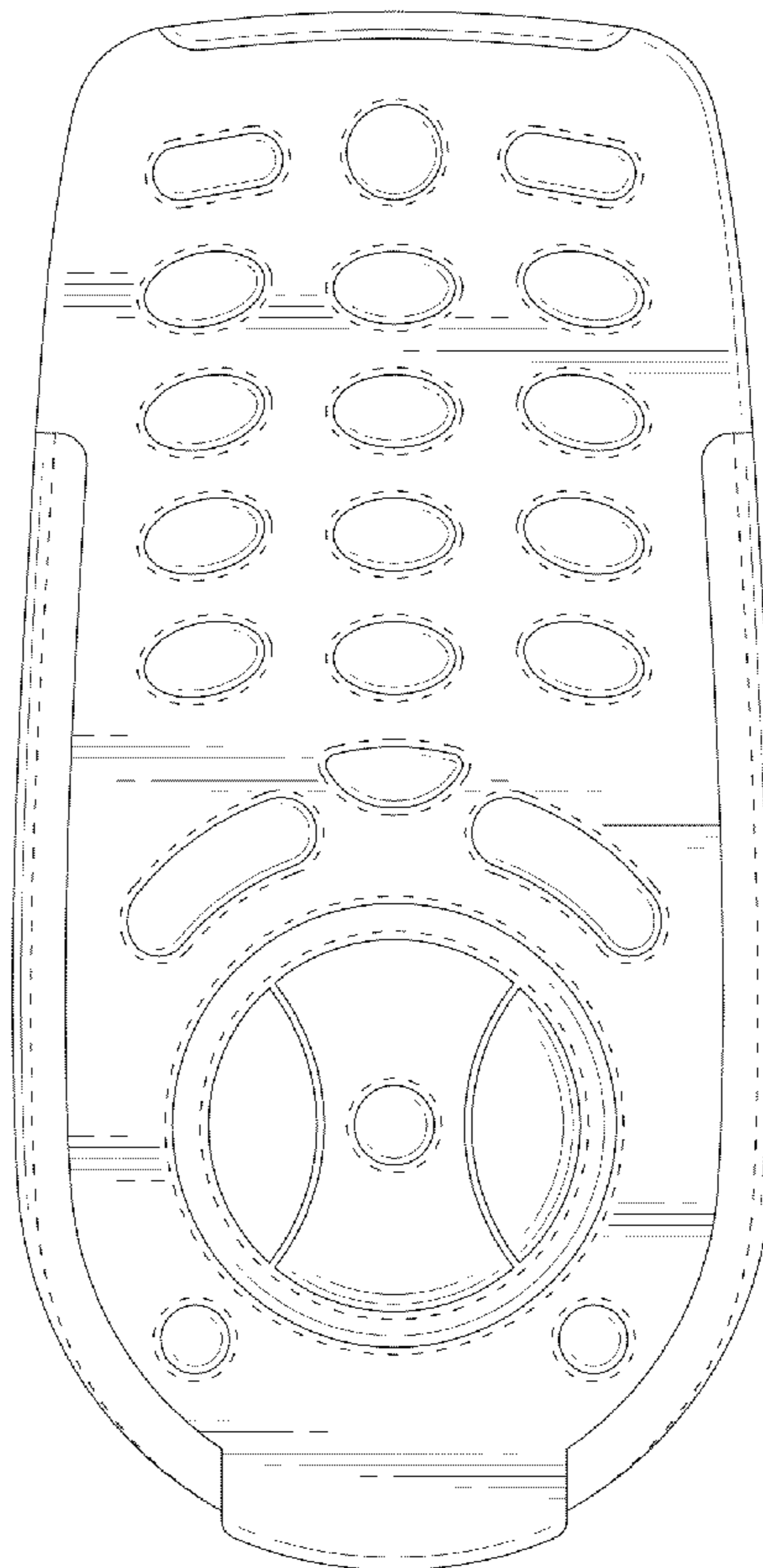
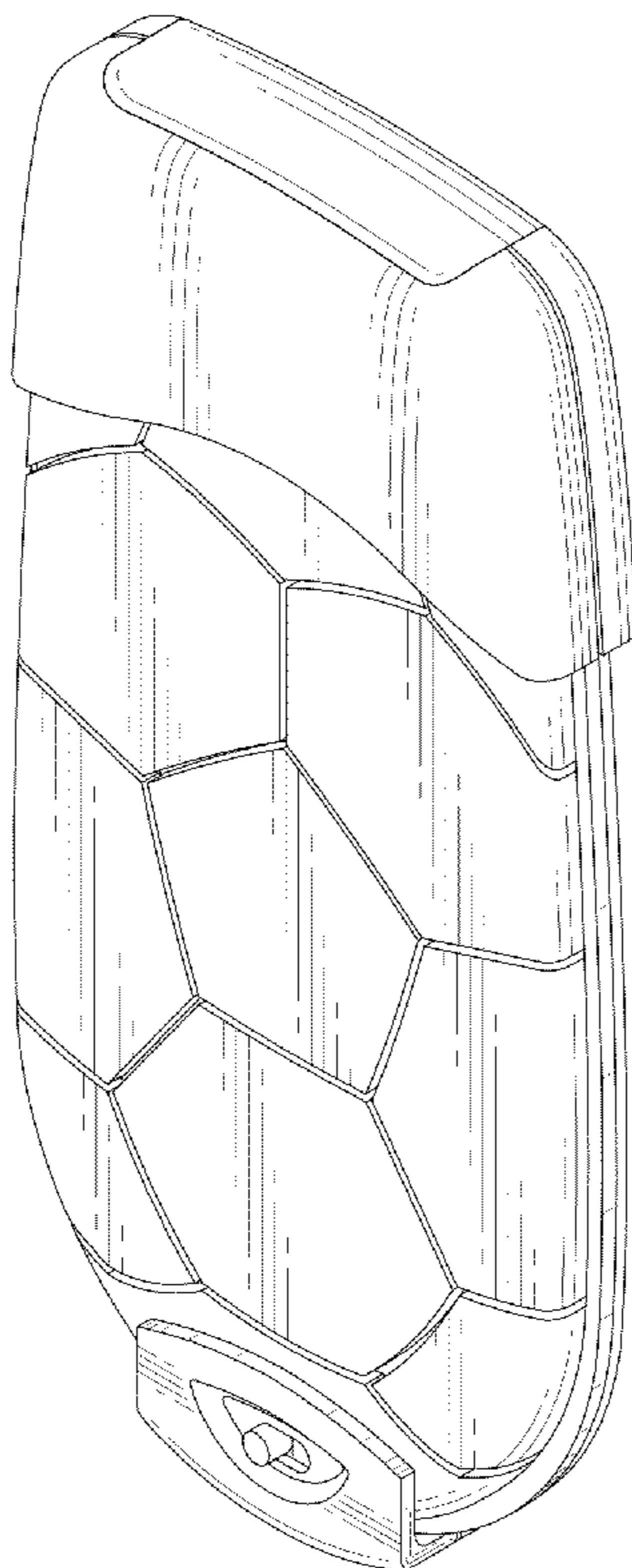
FIG. 5. is a right side elevational view thereof;

FIG. 6. is a top plan view thereof; and,

FIG. 7. is a bottom plan view thereof.

The broken lines represent the portions of the design that form no part of the claim.

1 Claim, 7 Drawing Sheets



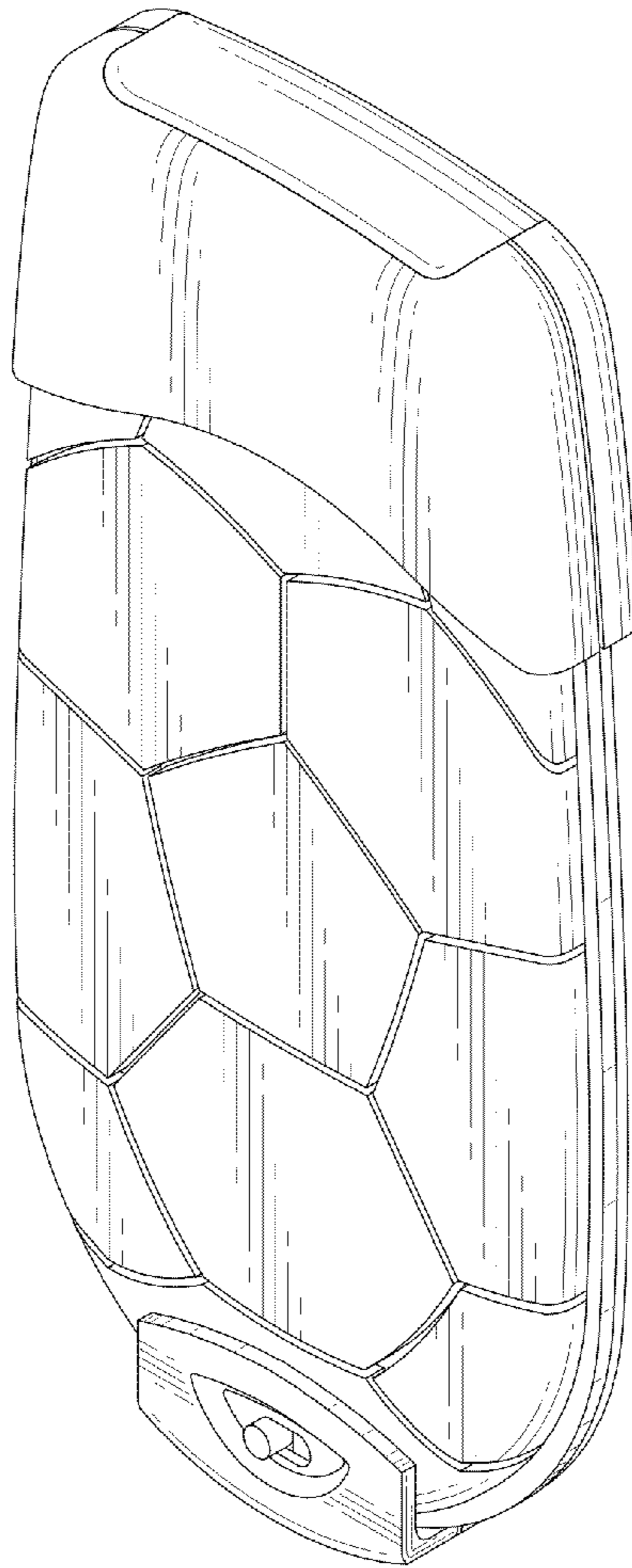


FIG. 1

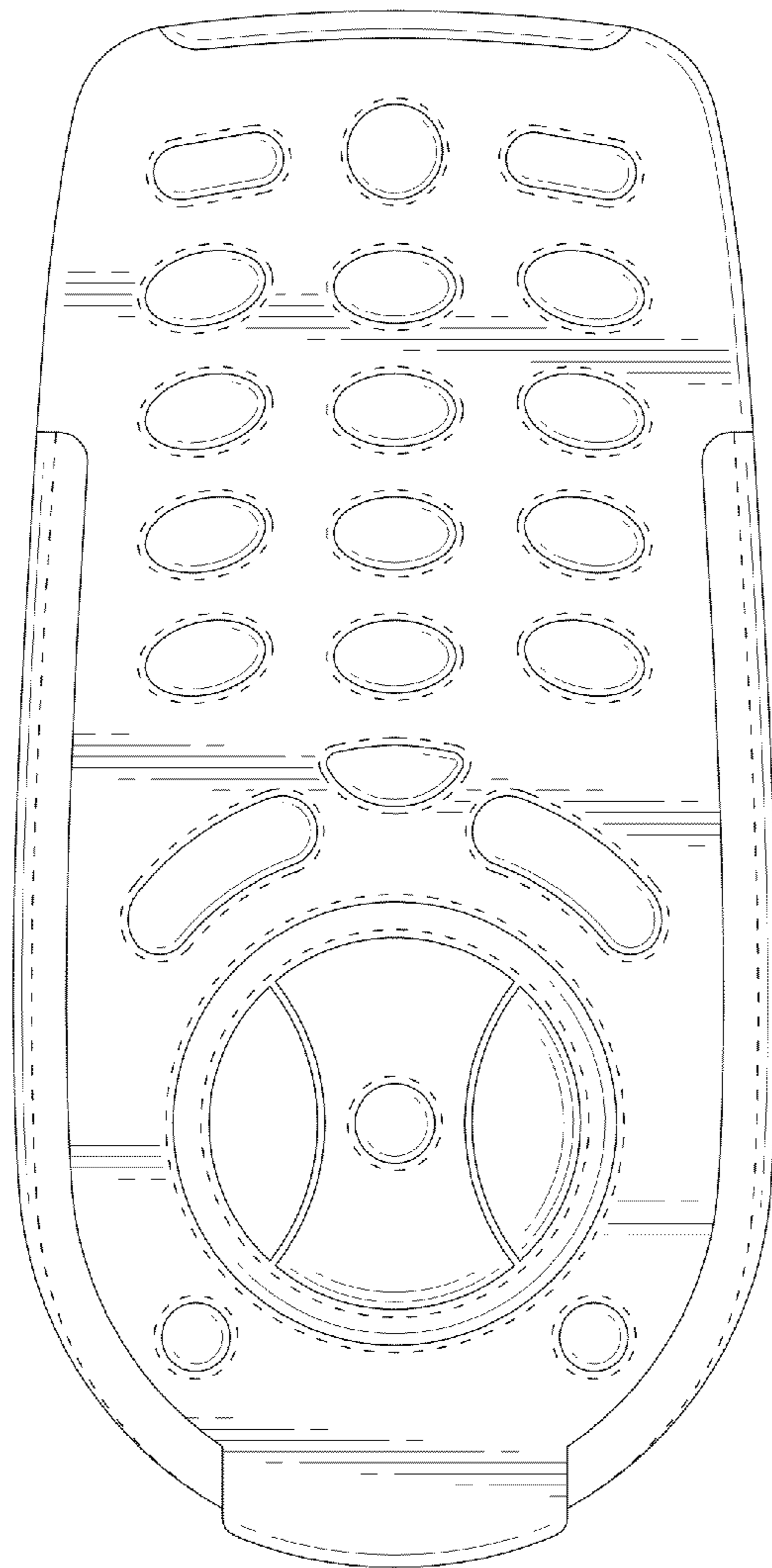


FIG. 2

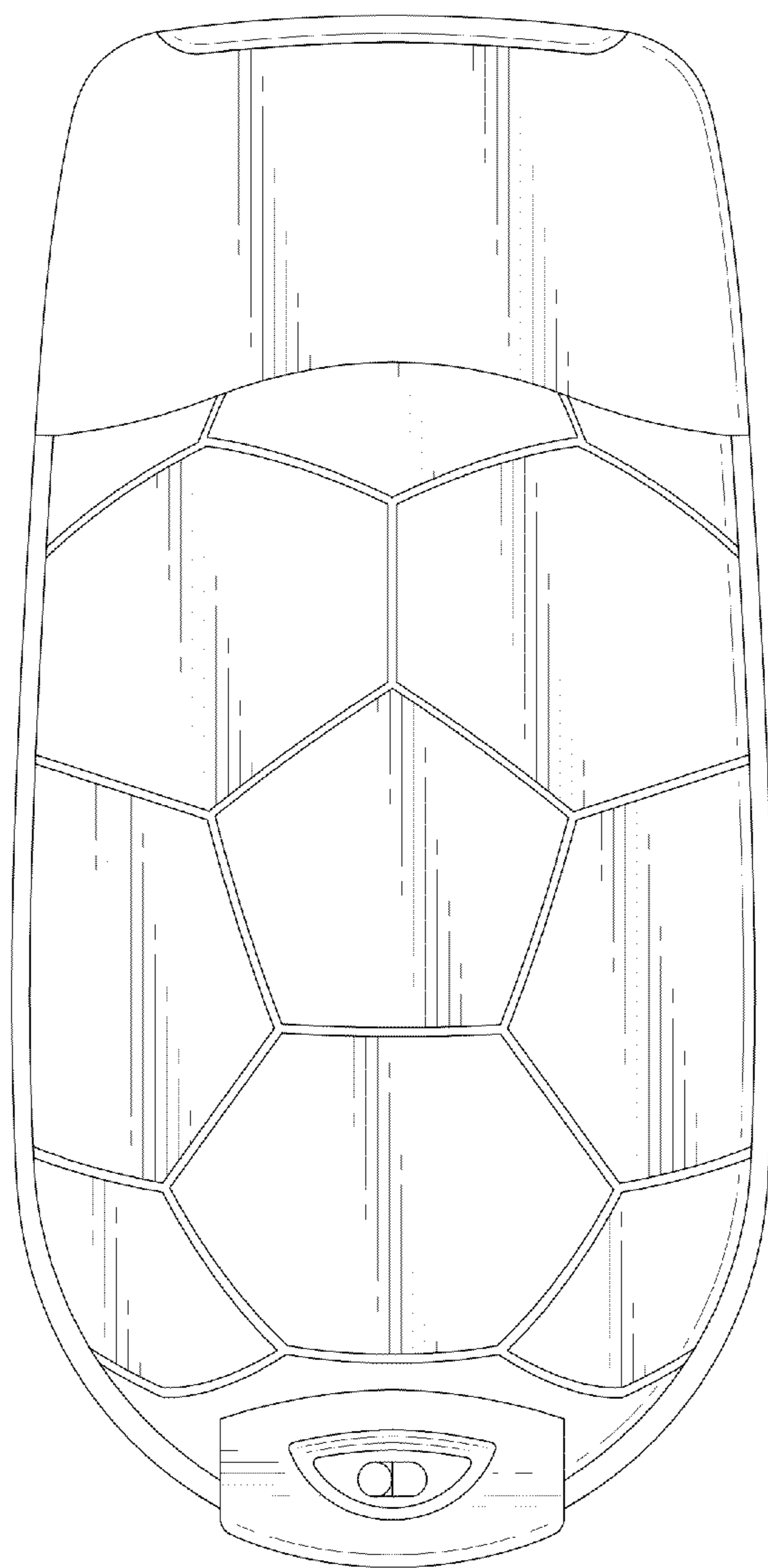


FIG. 3

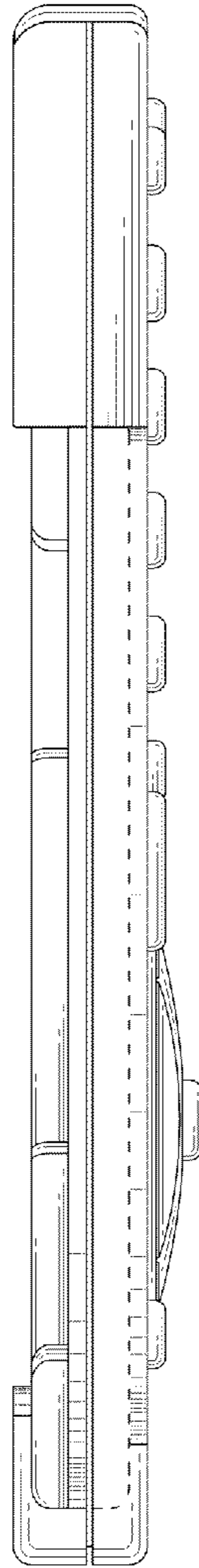


FIG. 4

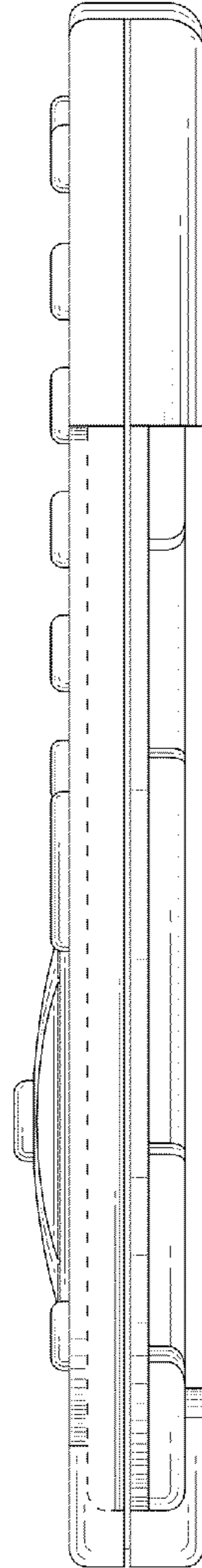


FIG. 5

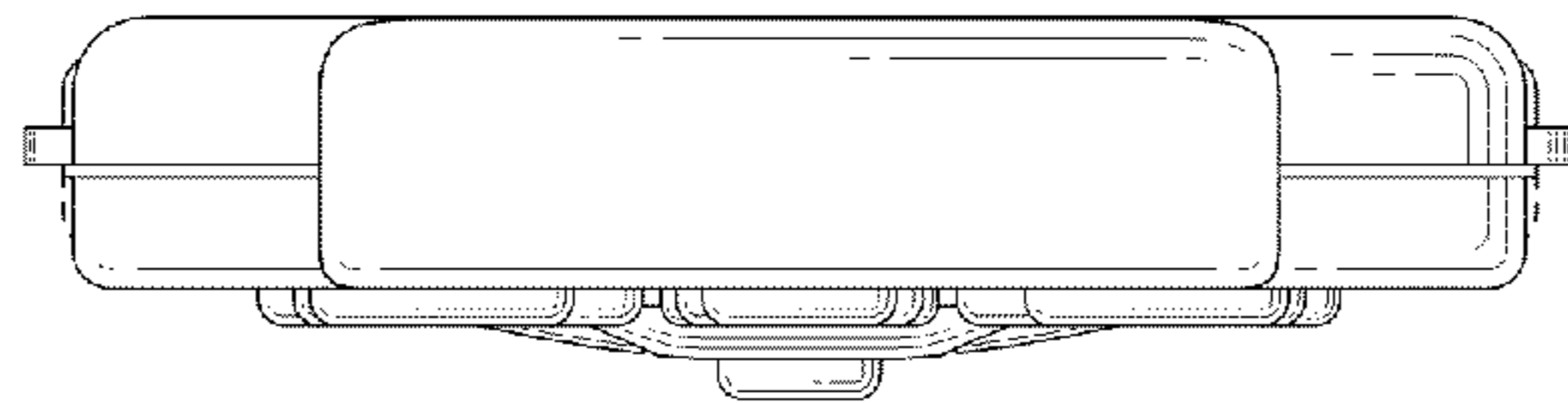


FIG. 6

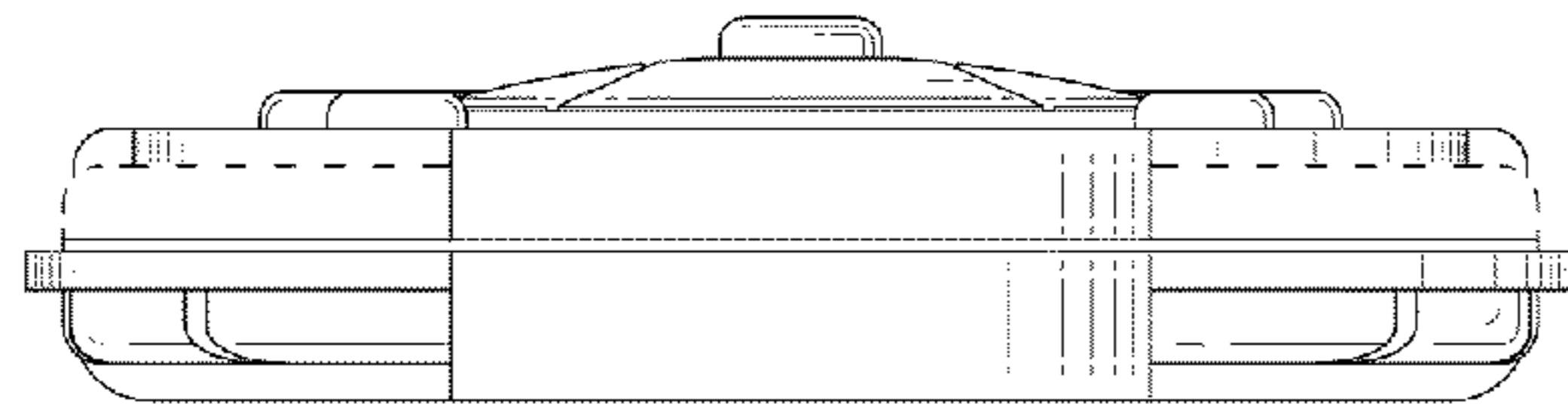


FIG. 7