

US00D669047S

(12) **United States Design Patent**
Asanuma et al.

(10) **Patent No.:** **US D669,047 S**
(45) **Date of Patent:** **** Oct. 16, 2012**

(54) **TELEVISION RECEIVER**
(75) Inventors: **Takashi Asanuma**, Tokyo (JP); **Kentaro Ichise**, Tokyo (JP)
(73) Assignee: **Kabushiki Kaisha Toshiba**, Tokyo (JP)
(**) Term: **14 Years**
(21) Appl. No.: **29/416,002**
(22) Filed: **Mar. 16, 2012**

D579,889 S *	11/2008	Noh	D14/129
D582,366 S *	12/2008	Yang et al.	D14/126
D586,811 S *	2/2009	Kim et al.	D14/374
D593,974 S *	6/2009	Yang et al.	D14/126
D597,041 S *	7/2009	Cho et al.	D14/126
D605,149 S *	12/2009	Kim et al.	D14/126
D618,639 S *	6/2010	Ho et al.	D14/126
D634,721 S *	3/2011	Baek et al.	D14/126
D640,652 S *	6/2011	Hasegawa	D14/126
D640,653 S *	6/2011	Takami	D14/126
D656,914 S *	4/2012	Shin et al.	D14/126
D657,326 S *	4/2012	Kim et al.	D14/126

(30) **Foreign Application Priority Data**
Dec. 27, 2011 (JP) 2011-030155
(51) **LOC (9) Cl.** **14-03**
(52) **U.S. Cl.** **D14/126**
(58) **Field of Classification Search** D14/125-134,
D14/239, 371, 136, 374-377, 440, 450, 448,
D14/336, 342; 312/7.2; 348/836, 838, 180,
348/184, 325, 739; 341/12; 248/917-924,
248/465; 345/104, 133, 156, 168, 87, 173;
720/605, 669, 600, 655; 369/99, 197; D21/329,
D21/515, 577, 622, 333, 433, 448, 452, 450,
D21/331; D6/477, 479, 300; 273/148 B;
446/484, 175, 356; D10/15, 26
See application file for complete search history.

FOREIGN PATENT DOCUMENTS

JP	1395158	8/2010
JP	1400180	11/2010

* cited by examiner

Primary Examiner — Raphael Barkai
(74) *Attorney, Agent, or Firm* — Banner & Witcoff, Ltd.

(56) **References Cited**
U.S. PATENT DOCUMENTS
D536,677 S * 2/2007 Kim et al. D14/126
D539,242 S * 3/2007 Lee et al. D14/126
D567,201 S * 4/2008 Profit

(57) **CLAIM**
The ornamental design for television receiver, as shown and described.

DESCRIPTION

FIG. 1 is a front perspective view of television receiver showing our new design,
FIG. 2 is a rear perspective view thereof,
FIG. 3 is a front elevational view thereof,
FIG. 4 is a rear elevational view thereof,
FIG. 5 is a top plan view thereof,
FIG. 6 is a bottom plan view thereof,
FIG. 7 is a right side elevational view thereof; and,
FIG. 8 is a left side elevational view thereof.

1 Claim, 6 Drawing Sheets

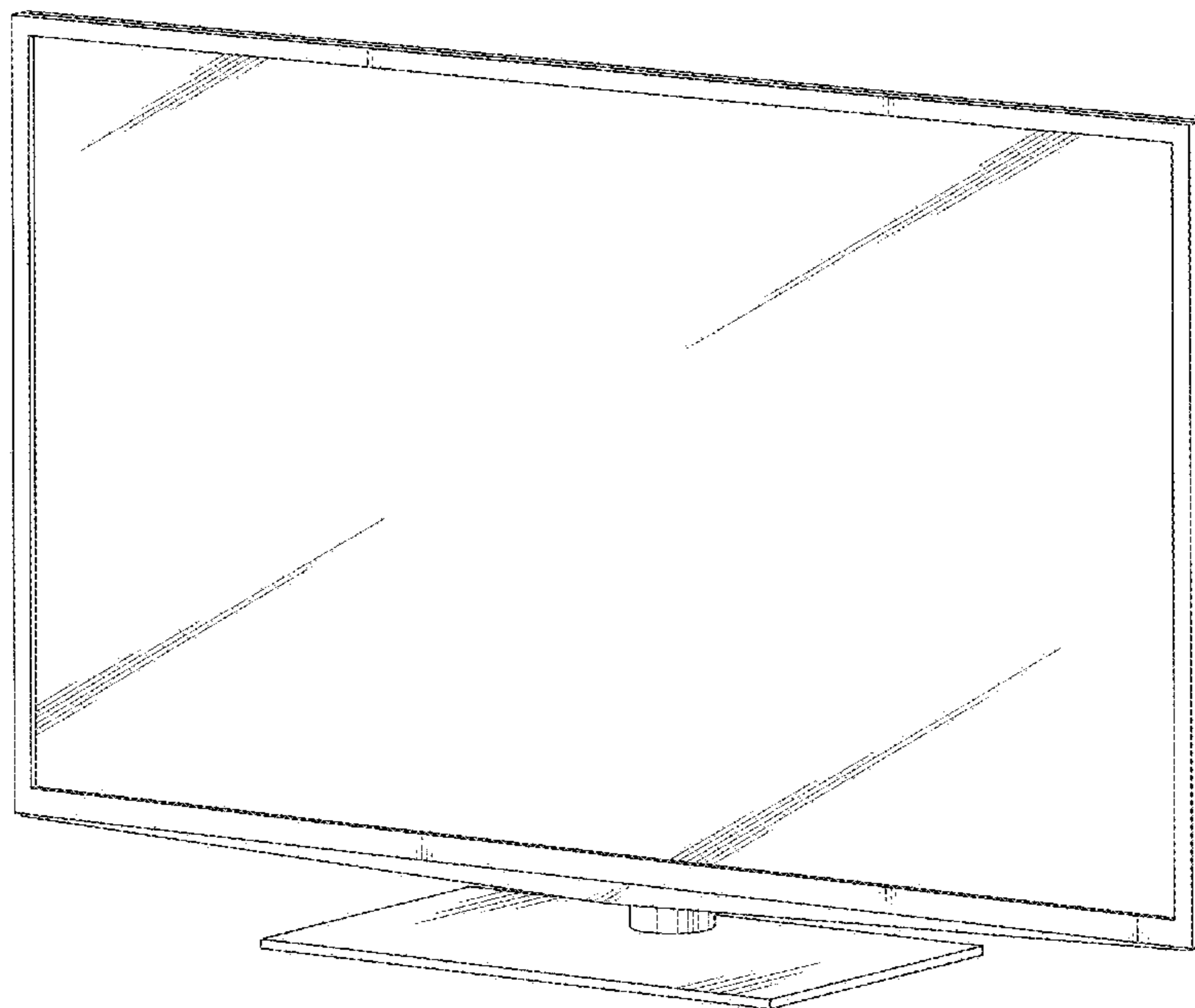


Fig. 1

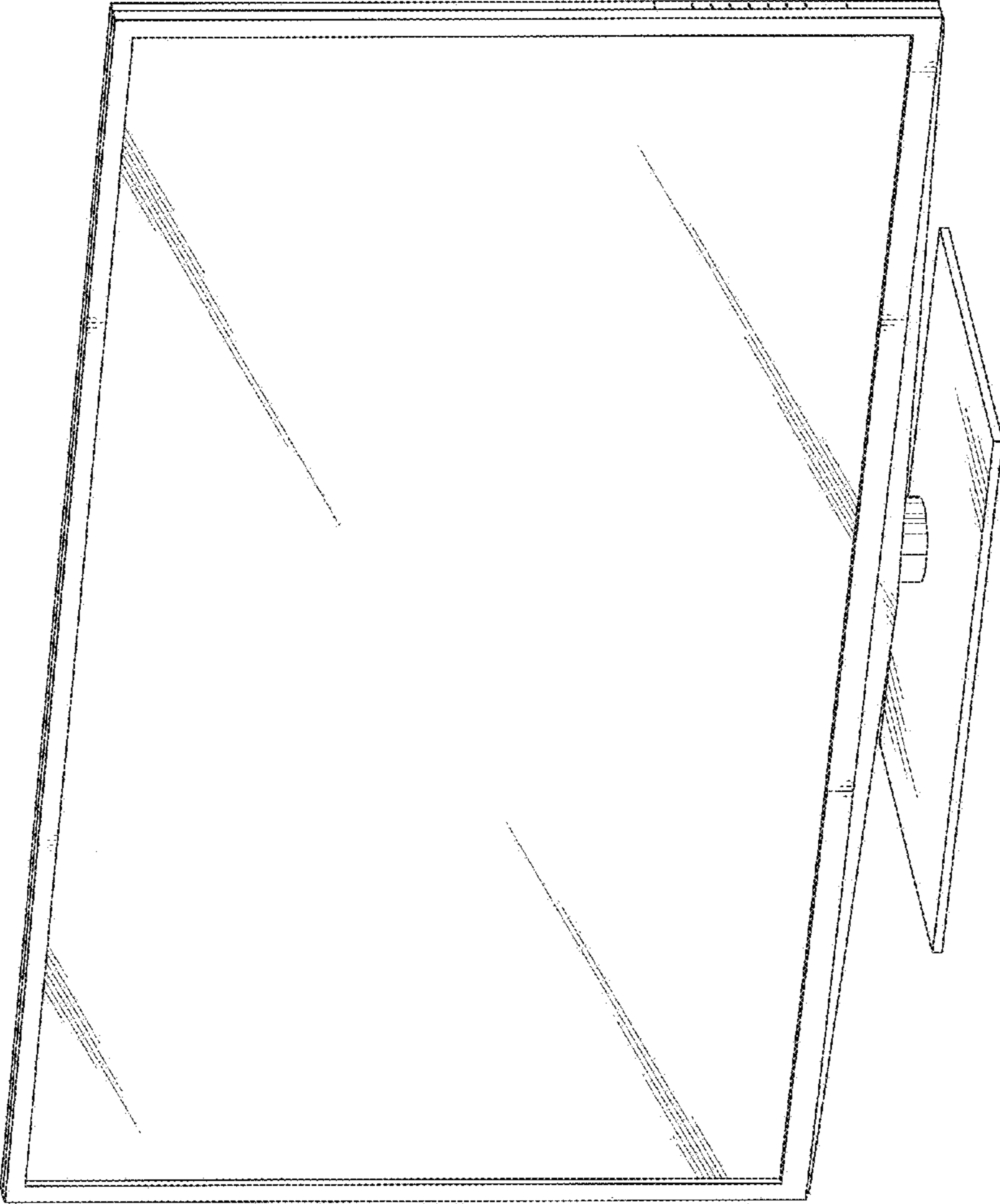


Fig. 2

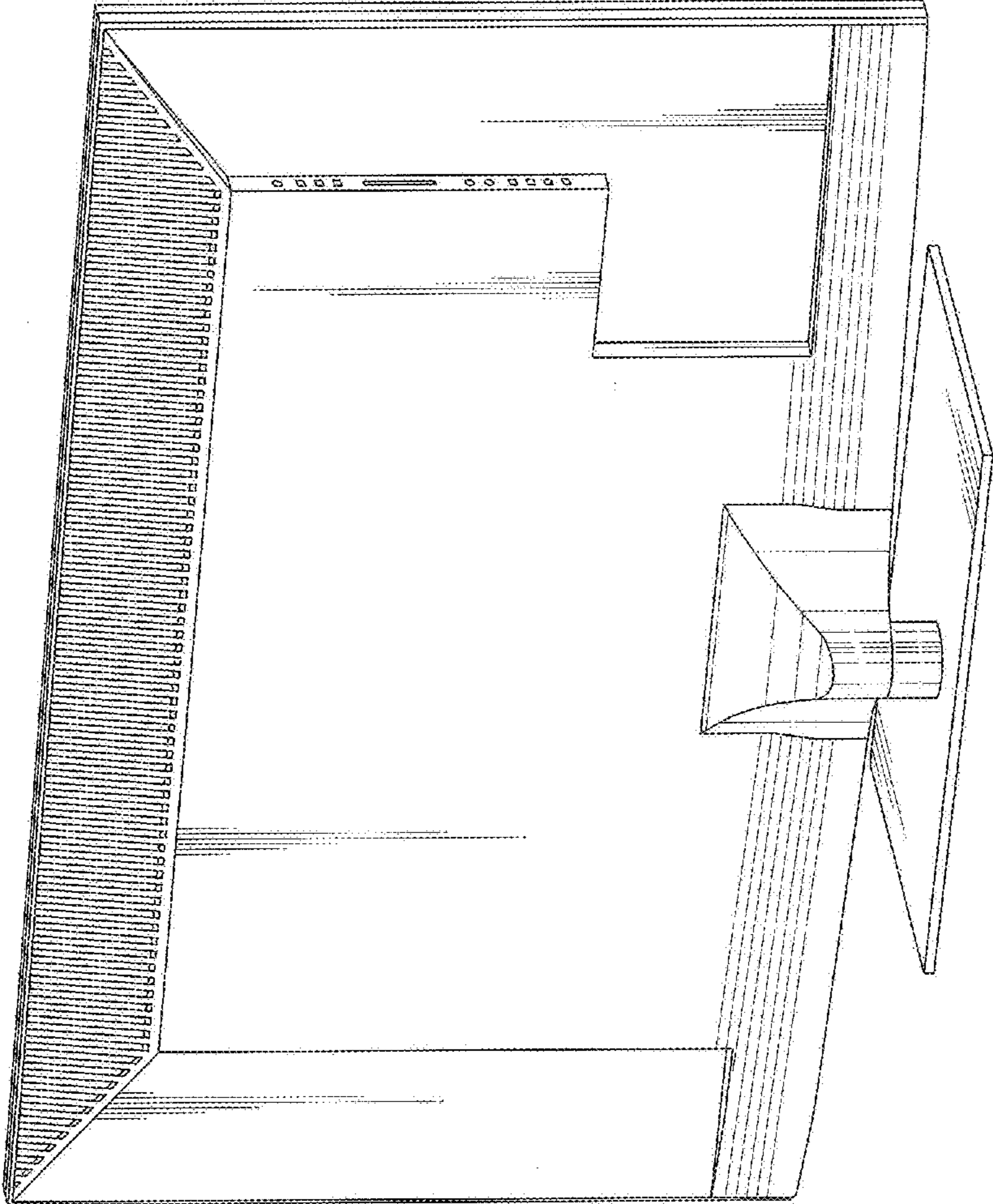


Fig. 3

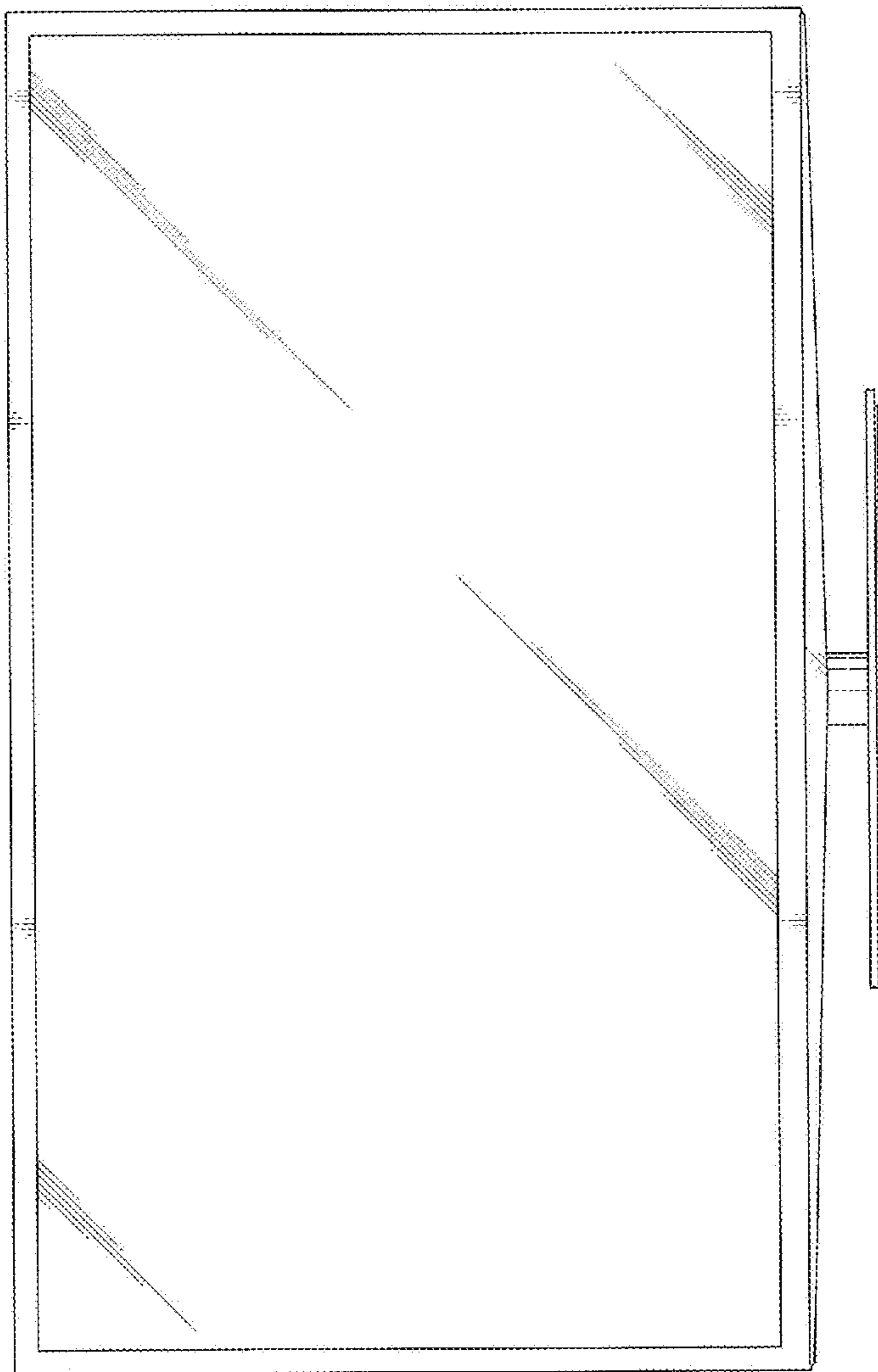


Fig. 4

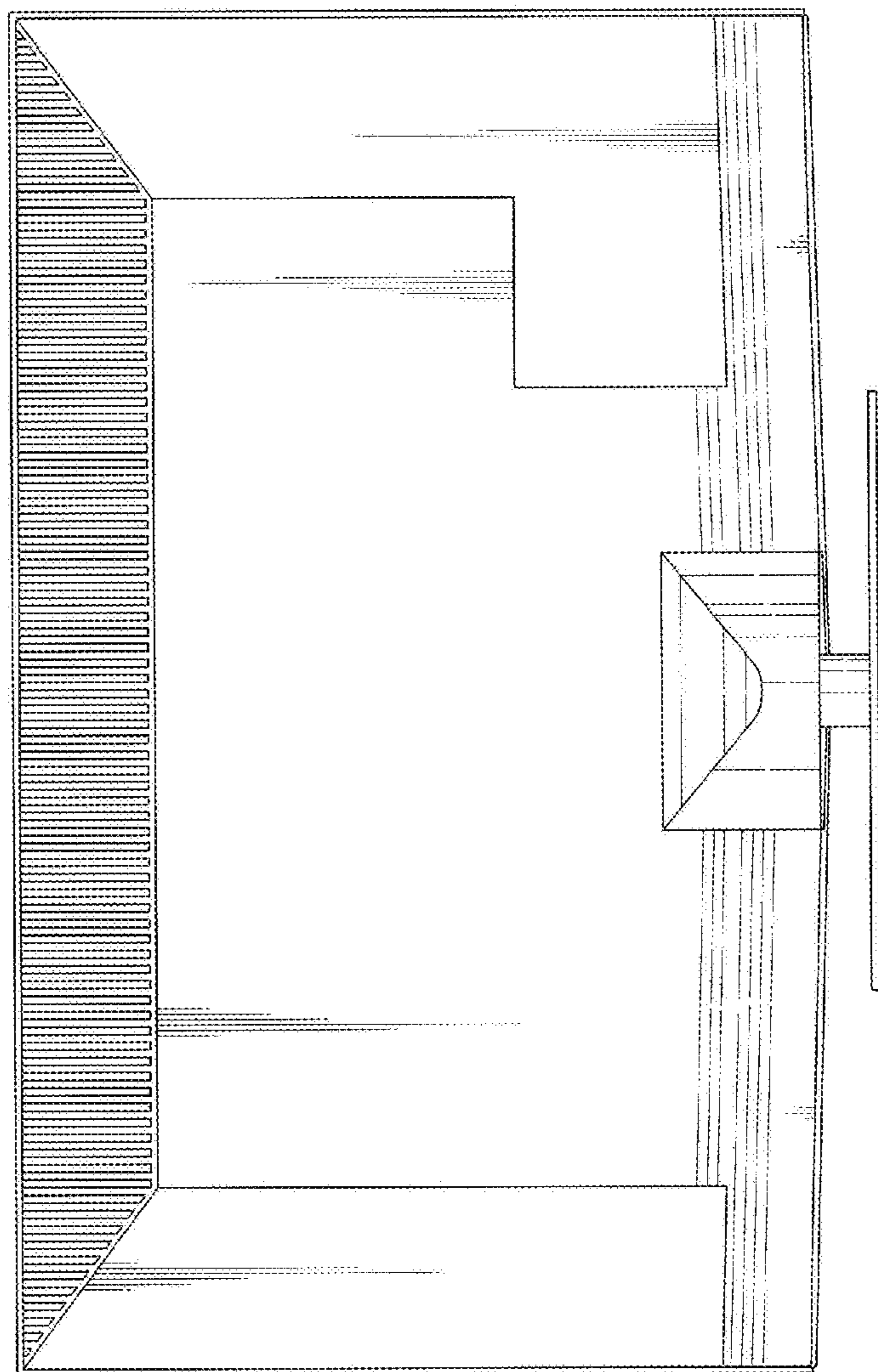


Fig. 5

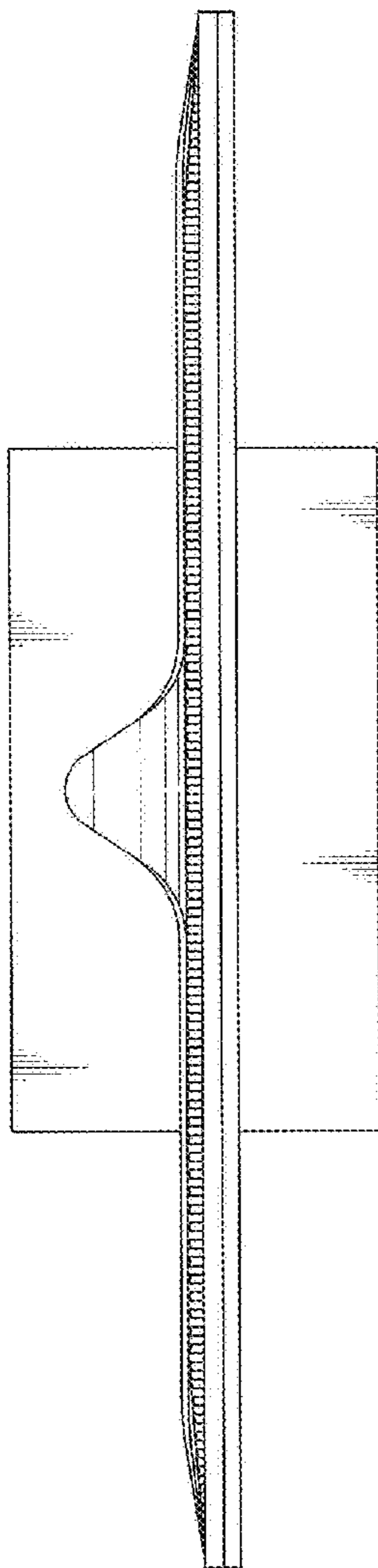


Fig. 6

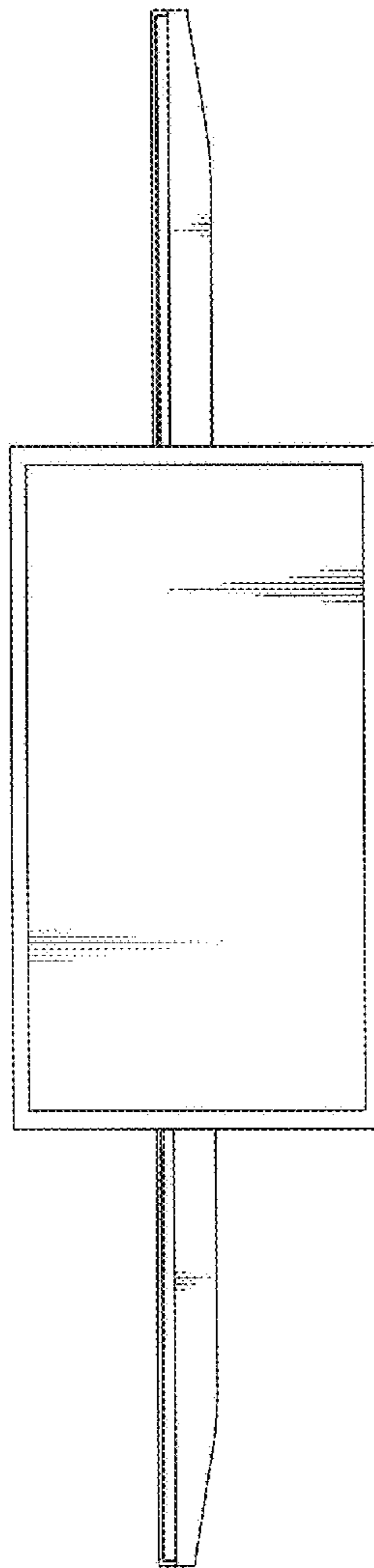


Fig. 7

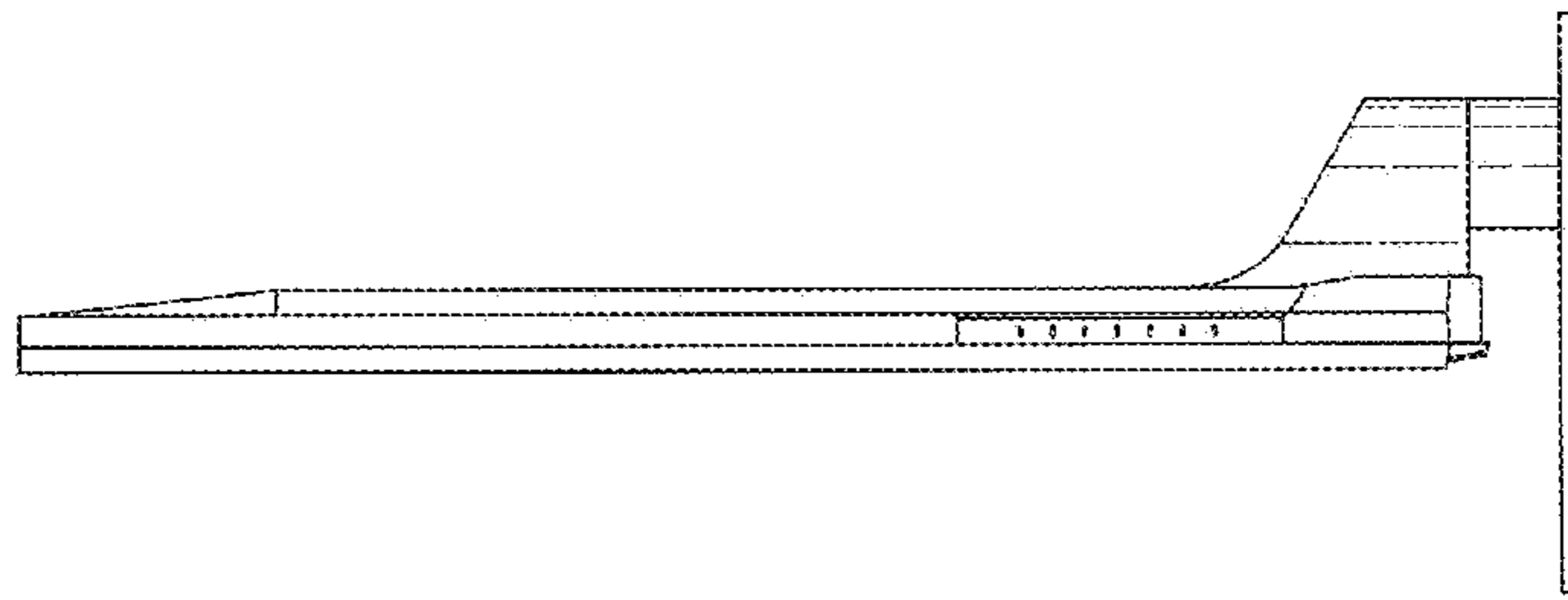


Fig. 8

