



US00D669046S

(12) **United States Design Patent**
Kajiya et al.

(10) **Patent No.:** **US D669,046 S**
(45) **Date of Patent:** **** Oct. 16, 2012**

(54) **FLEXIBLE PRINTED CIRCUIT BOARD**

(75) Inventors: **Atsushi Kajiya**, Tokyo (JP); **Hidekazu Yoshihara**, Tokyo (JP)

(73) Assignee: **Nippon Mektron, Ltd**

(**) Term: **14 Years**

(21) Appl. No.: **29/371,189**

(22) Filed: **Nov. 17, 2010**

(30) **Foreign Application Priority Data**

May 19, 2010 (JP) D2010-012325

(51) **LOC (9) Cl.** **13-03**

(52) **U.S. Cl.** **D13/182**

(58) **Field of Classification Search** D13/155,
D13/182; D6/495; D8/376, 377; D9/424,
D9/425, 426, 427, 430, 432; D12/133; D11/3,
D11/25; D26/3, 72, 74, 76, 78, 113, 118,
D26/119, 120, 130, 138; D25/120, 121,
D25/122, 124, 164; D22/142; 59/80; 138/156,
138/157, 158, 159; 174/68.1, 68.3, 250,
174/254; 347/42, 49, 50; 362/217.05, 217.1,
362/240, 341

See application file for complete search history.

(56) **References Cited**

U.S. PATENT DOCUMENTS

D31,600	S *	10/1899	Terry	D25/121
1,817,034	A *	8/1931	Hotchkin	174/72 C
1,928,432	A *	9/1933	Murton	52/40
1,932,986	A *	10/1933	Powell	43/18.1 R
2,369,006	A *	2/1945	Banks	156/221
2,959,256	A *	11/1960	Deam	52/236.1
3,402,521	A *	9/1968	Tischuk	52/460
D298,858	S *	12/1988	Andersson et al.	D25/164
4,833,568	A *	5/1989	Berhold	361/690
4,990,948	A *	2/1991	Sasaki et al.	396/542
5,519,578	A *	5/1996	Fujii	361/749
5,586,004	A *	12/1996	Green et al.	361/699

5,962,809	A *	10/1999	Duvall et al.	174/37
6,644,008	B2 *	11/2003	Rosenwasser et al.	59/80
D485,777	S *	1/2004	Baghdassarian et al.	D11/3
6,778,389	B1 *	8/2004	Glovatsky et al.	361/690
6,818,161	B2 *	11/2004	Tokoro et al.	264/45.4
6,983,770	B2 *	1/2006	Kondou et al.	138/177
7,180,736	B2 *	2/2007	Glovatsky et al.	361/688
7,270,462	B2 *	9/2007	Yu et al.	362/609
7,304,240	B1 *	12/2007	Gretz	174/72 A
7,660,126	B2 *	2/2010	Cho et al.	361/749
D611,563	S *	3/2010	Sjoberg	D22/142
7,682,053	B2 *	3/2010	Shen	362/373
7,862,198	B2 *	1/2011	Shyu et al.	362/192
7,918,580	B2 *	4/2011	Liu	362/218
7,976,196	B2 *	7/2011	Ivey et al.	362/294
2004/0080569	A1 *	4/2004	Silverbrook et al.	347/42
2009/0059585	A1 *	3/2009	Chen et al.	362/235
2009/0175404	A1 *	7/2009	Singh et al.	376/272
2010/0043220	A1 *	2/2010	O'Farrell et al.	29/825
2011/0024160	A1 *	2/2011	Quan et al.	174/254
2011/0176297	A1 *	7/2011	Hsia et al.	362/217.1

* cited by examiner

Primary Examiner — Selina Sikder

(74) *Attorney, Agent, or Firm* — Rader, Fishman & Grauer PLLC

(57) **CLAIM**

The ornamental design for a flexible printed circuit board, as shown and described.

DESCRIPTION

FIG. 1 is a perspective view of a flexible printed circuit board showing our new design;

FIG. 2 is a front elevational view thereof, a rear elevational view thereof being a mirror image;

FIG. 3 is a right side elevational view thereof, a left side elevational view thereof being a mirror image;

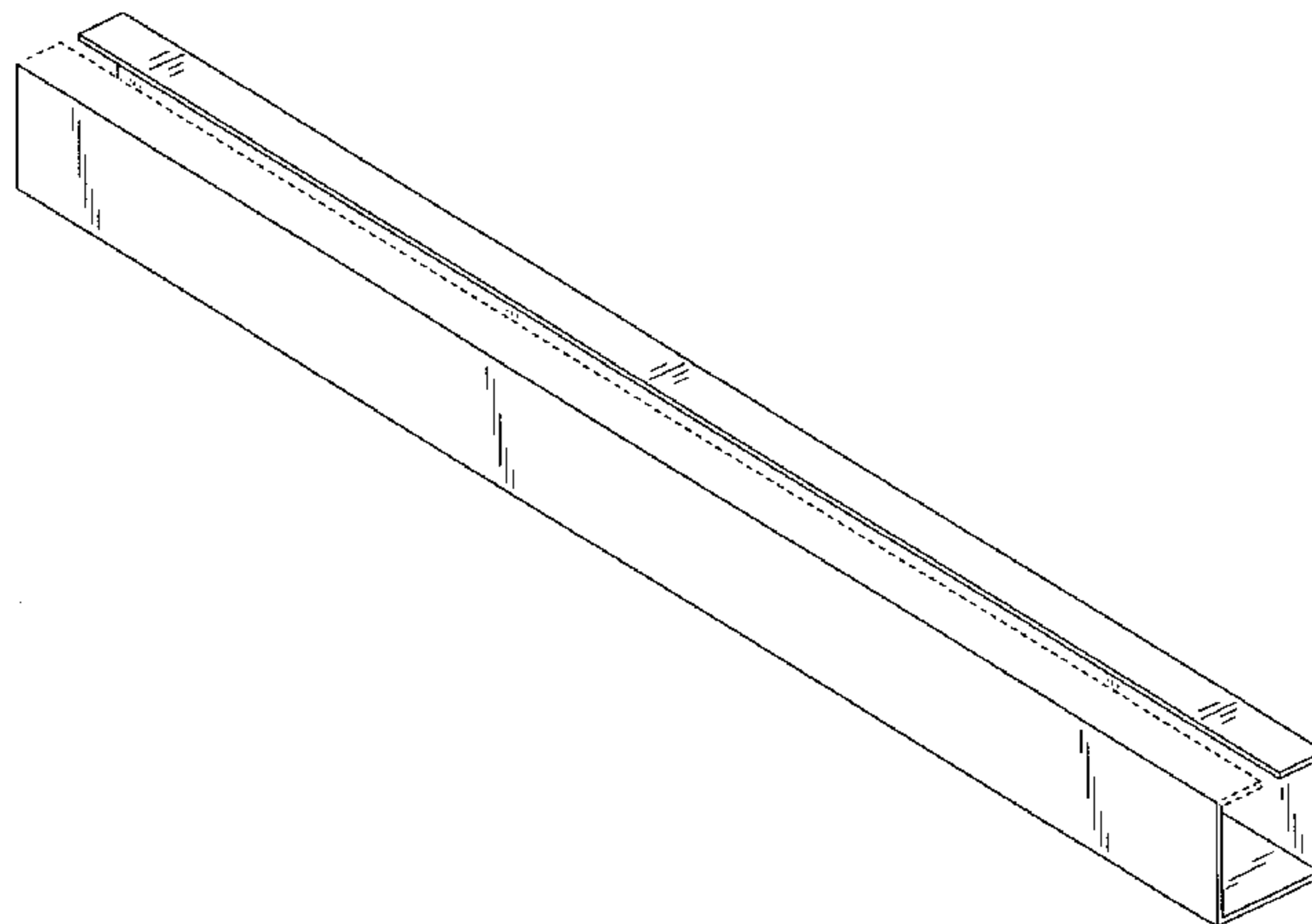
FIG. 4 is a top plan view thereof; and

FIG. 5 is a bottom plan view thereof; and,

FIG. 6 is a sectional view thereof along the line 6-6 of FIG. 2.

The portions in broken lines are for illustrative purposes only and form no part of the claimed design.

1 Claim, 3 Drawing Sheets



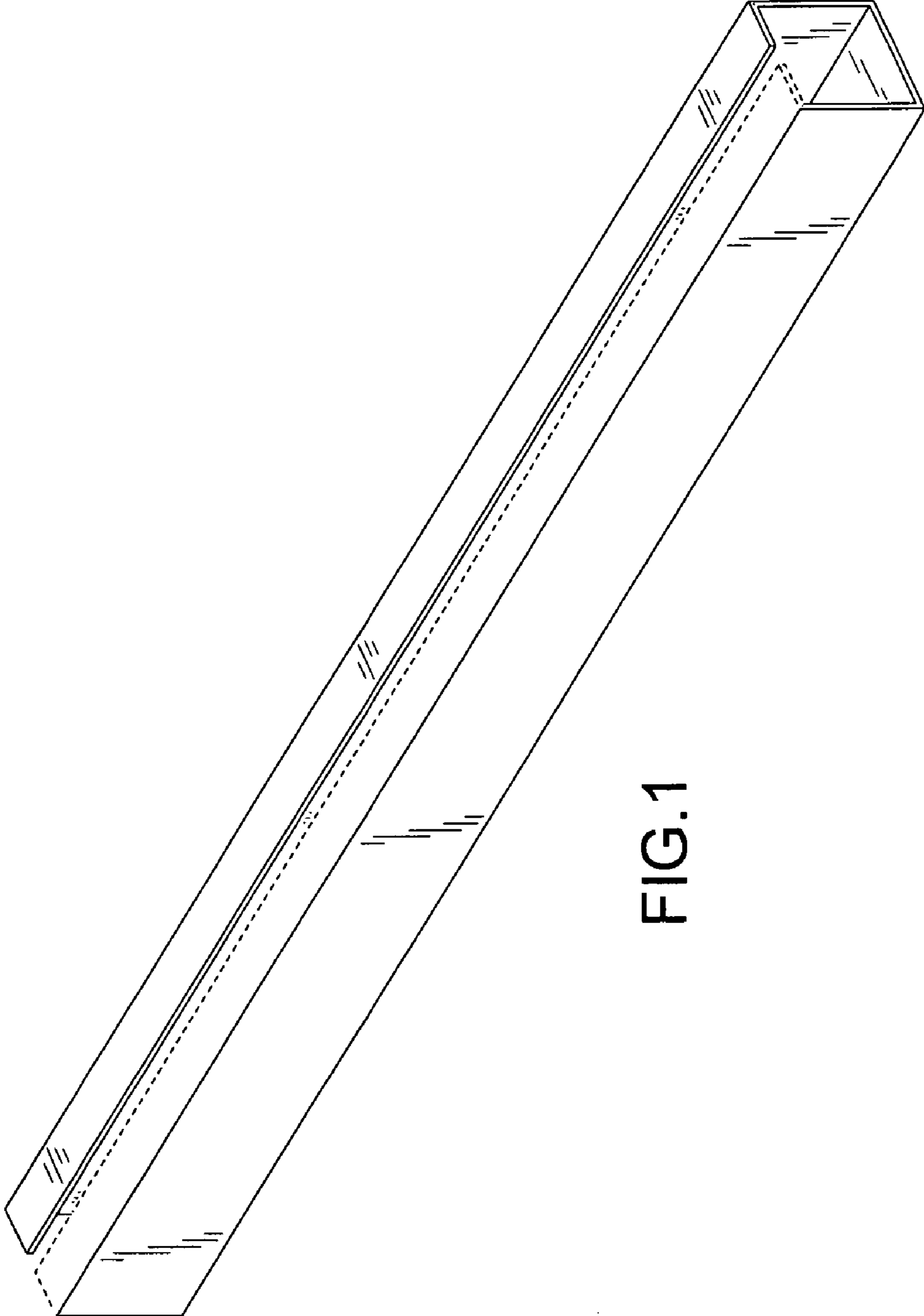
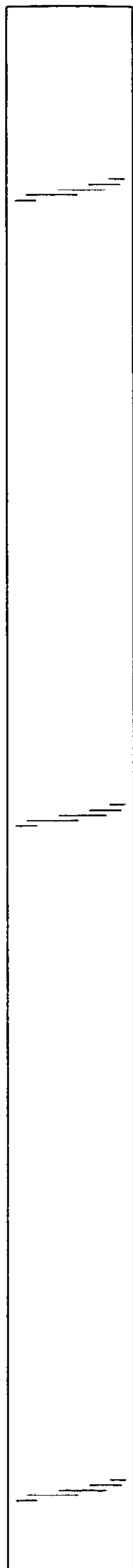


FIG.1



6 ←
FIG. 2

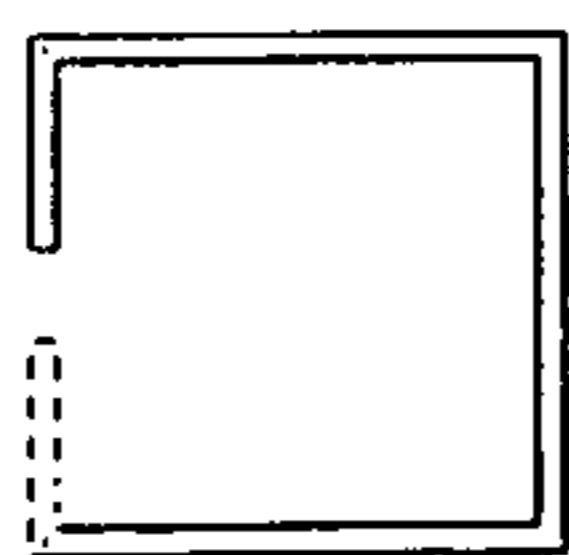
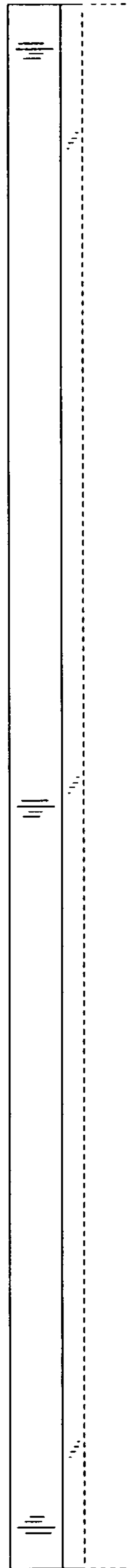


FIG. 3



6 ←
FIG. 4

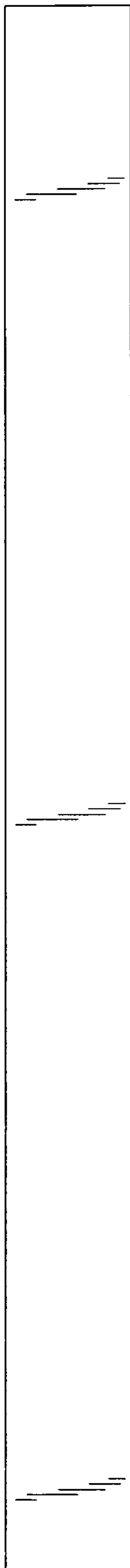


FIG. 5

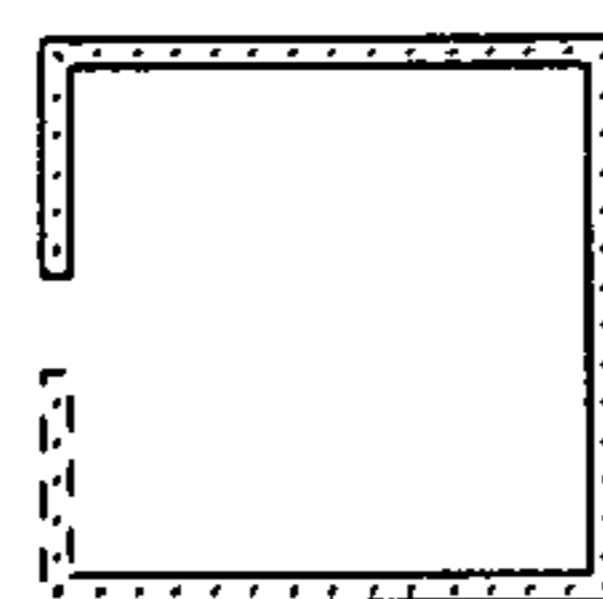


FIG. 6