



US00D669045S

(12) **United States Design Patent**  
**Kajiya et al.**

(10) **Patent No.:** **US D669,045 S**  
(45) **Date of Patent:** **\*\* Oct. 16, 2012**

(54) **FLEXIBLE PRINTED CIRCUIT BOARD**

(75) Inventors: **Atsushi Kajiya**, Tokyo (JP); **Hidekazu Yoshihara**, Tokyo (JP)

(73) Assignee: **Nippon Mektron, Ltd.**, Tokyo (JP)

(\*\*) Term: **14 Years**

(21) Appl. No.: **29/371,187**

(22) Filed: **Nov. 17, 2010**

(30) **Foreign Application Priority Data**

May 19, 2010 (JP) ..... D2010-012327

(51) **LOC (9) Cl.** ..... **13-03**

(52) **U.S. Cl.** ..... **D13/182**

(58) **Field of Classification Search** ..... D13/155,  
D13/182; D6/495; D8/376, 377; D9/424,  
D9/425, 426, 427, 430, 432; D12/133; D11/3,  
D11/25; D26/3, 72, 74, 76, 78, 113, 118,  
D26/119, 120, 130, 138; D25/120, 121,  
D25/122, 124, 164; D22/142; 59/80; 138/156,  
138/157, 158, 159; 174/68.1, 68.3, 250,  
174/254; 347/42, 49, 50; 362/217.05, 217.1,  
362/240, 341

See application file for complete search history.

(56) **References Cited**

**U.S. PATENT DOCUMENTS**

D31,600	S	*	10/1899	Terry	.....	D25/121
1,817,034	A	*	8/1931	Hotchkin	.....	174/72 C
1,928,432	A	*	9/1933	Murton	.....	52/40
1,932,986	A	*	10/1933	Powell	.....	43/18.1 R
2,369,006	A	*	2/1945	Banks	.....	156/221
2,959,256	A	*	11/1960	Deam	.....	52/236.1
3,402,521	A	*	9/1968	Tischuk	.....	52/460
D298,858	S	*	12/1988	Andersson et al.	.....	D25/164
4,833,568	A	*	5/1989	Berhold	.....	361/690
4,990,948	A	*	2/1991	Sasaki et al.	.....	396/542
5,519,578	A	*	5/1996	Fujii	.....	361/749
5,586,004	A	*	12/1996	Green et al.	.....	361/699
5,962,809	A	*	10/1999	Duvall et al.	.....	174/37

6,644,008	B2	*	11/2003	Rosenwasser et al.	.....	59/80
D485,777	S	*	1/2004	Baghdassarian et al.	.....	D11/3
6,778,389	B1	*	8/2004	Glovatsky et al.	.....	361/690
6,818,161	B2	*	11/2004	Tokoro et al.	.....	264/45.4
6,983,770	B2	*	1/2006	Kondou et al.	.....	138/177
7,180,736	B2	*	2/2007	Glovatsky et al.	.....	361/688
7,270,462	B2	*	9/2007	Yu et al.	.....	362/609
7,304,240	B1	*	12/2007	Gretz	.....	174/72 A
7,660,126	B2	*	2/2010	Cho et al.	.....	361/749
D611,563	S	*	3/2010	Sjoberg	.....	D22/142
7,682,053	B2	*	3/2010	Shen	.....	362/373
7,862,198	B2	*	1/2011	Shyu et al.	.....	362/192
7,918,580	B2	*	4/2011	Liu	.....	362/218
7,976,196	B2	*	7/2011	Ivey et al.	.....	362/294
2004/0080569	A1	*	4/2004	Silverbrook et al.	.....	347/42
2009/0059585	A1	*	3/2009	Chen et al.	.....	362/235
2009/0175404	A1	*	7/2009	Singh et al.	.....	376/272
2009/0196039	A1	*	8/2009	Shyu et al.	.....	362/253
2010/0043220	A1	*	2/2010	O'Farrell et al.	.....	29/825
2011/0024160	A1	*	2/2011	Quan et al.	.....	174/254
2011/0176297	A1	*	7/2011	Hsia et al.	.....	362/217.1

\* cited by examiner

*Primary Examiner* — Selina Sikder

(74) *Attorney, Agent, or Firm* — Rader, Fishman & Grauer PLLC

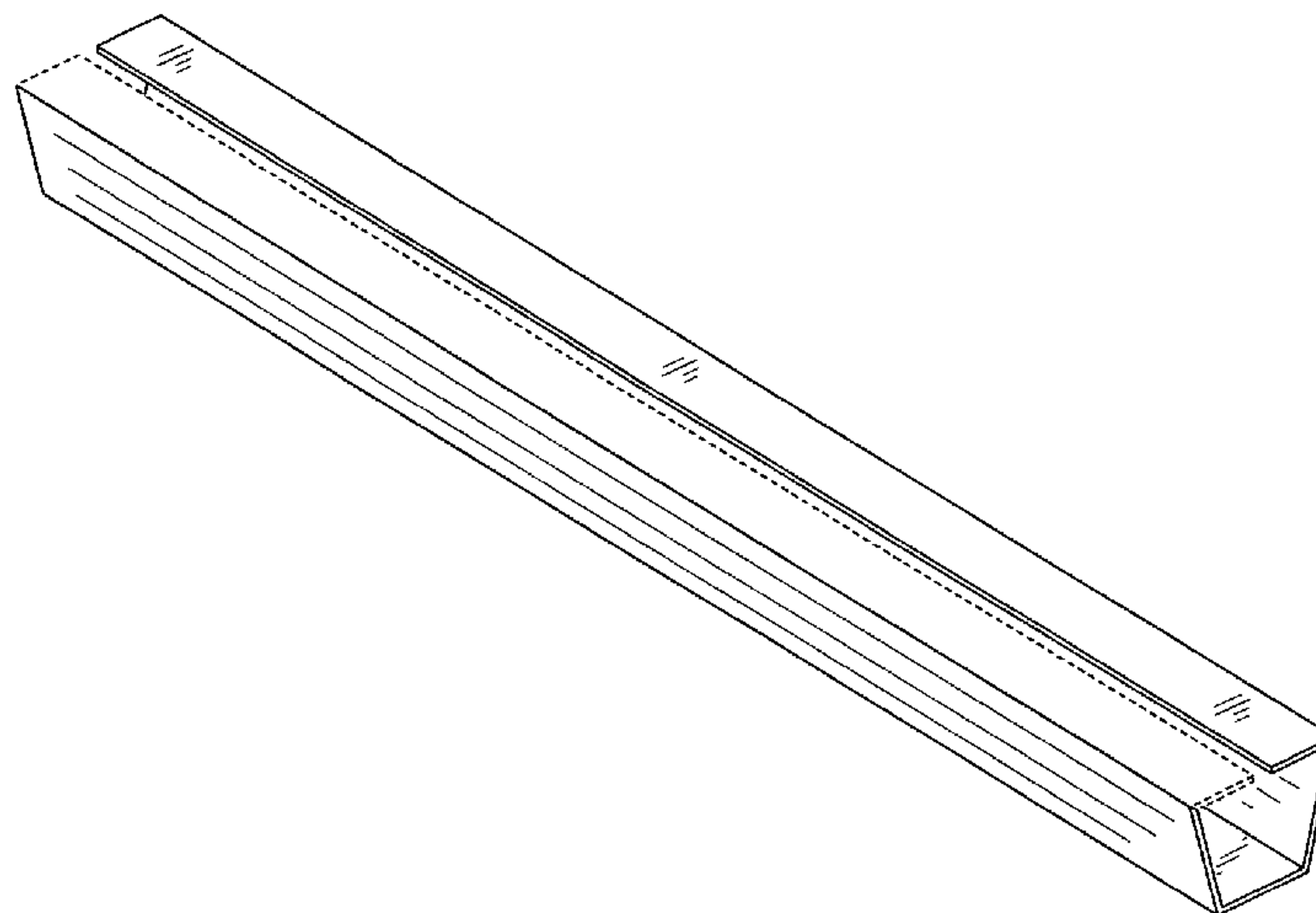
(57) **CLAIM**

The ornamental design for a flexible printed circuit board, as shown and described.

**DESCRIPTION**

FIG. 1 is a perspective view of a flexible printed circuit board showing our new design;  
FIG. 2 is a front elevational view thereof, a rear elevational view thereof being a mirror image;  
FIG. 3 is a right side elevational view thereof, a left side elevational view thereof being a mirror image;  
FIG. 4 is a top plan view thereof; and,  
FIG. 5 is a bottom plan view thereof; and,  
FIG. 6 is a sectional view thereof along the line 6-6 of FIG. 2.  
The portions in broken lines are for illustrative purposes only and form no part of the claimed design.

**1 Claim, 3 Drawing Sheets**



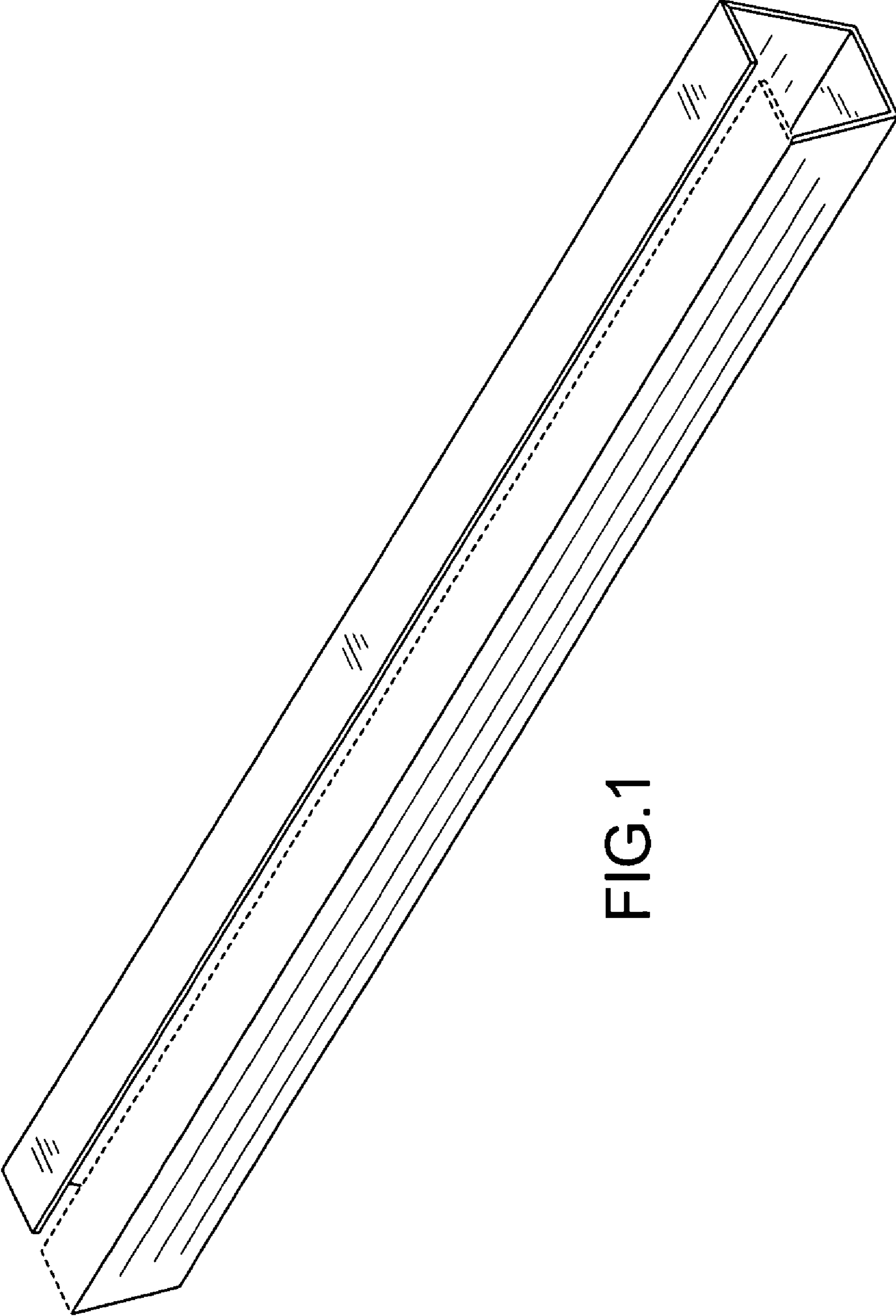
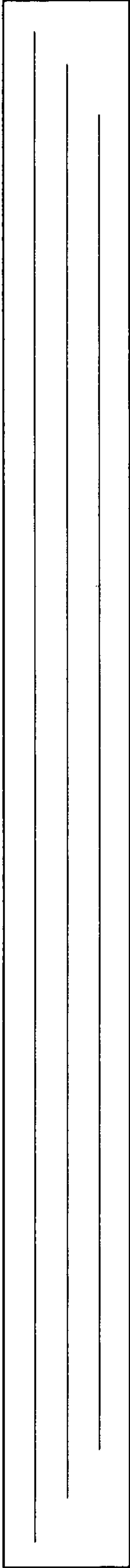


FIG.1

6 ←



6 ←

FIG. 2

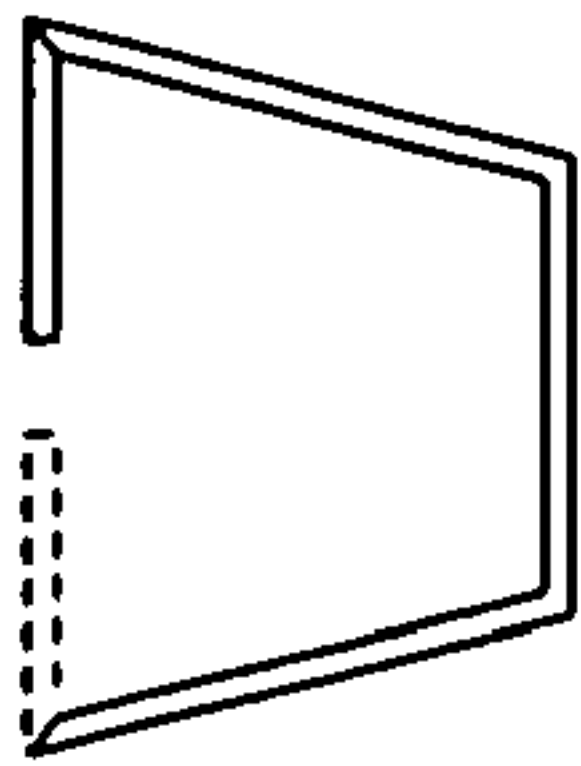


FIG. 3

|||

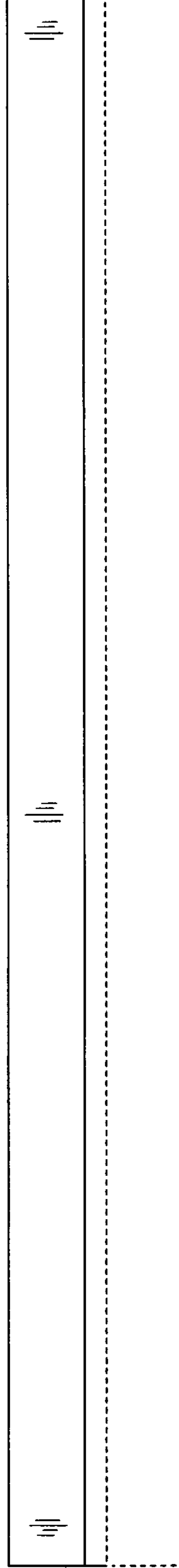


FIG. 4

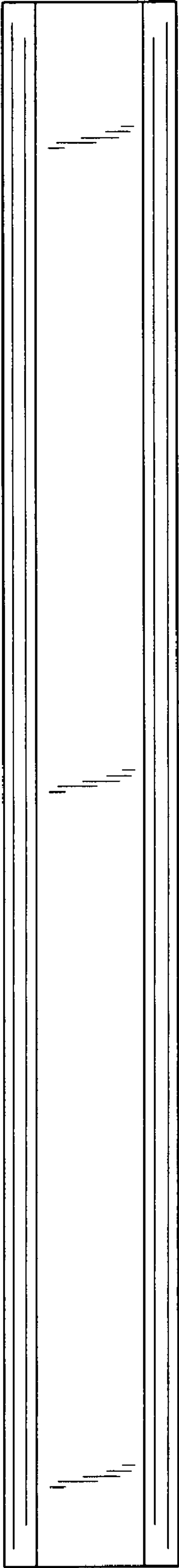


FIG. 5

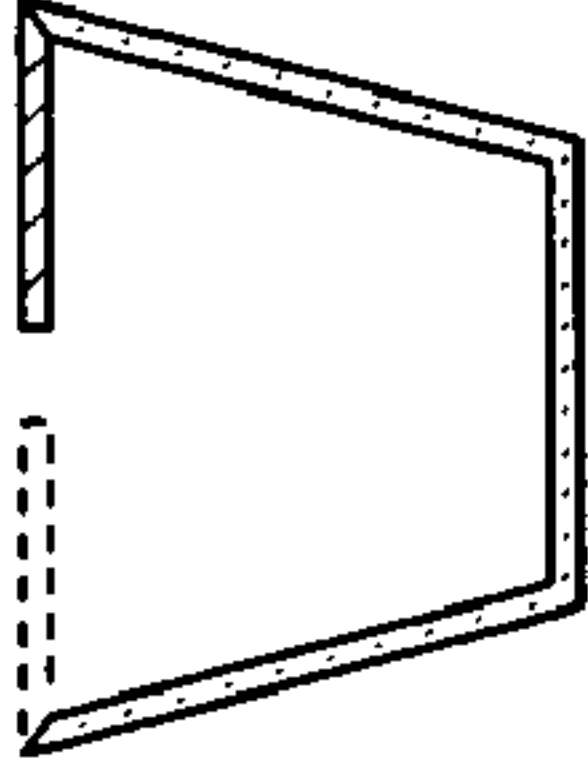


FIG. 6