

US00D669043S

(12) **United States Design Patent**
Kamijo

(10) **Patent No.:** **US D669,043 S**

(45) **Date of Patent:** **** Oct. 16, 2012**

(54) **LIGHT-EMITTING DIODE**

(75) Inventor: **Yu Kamijo**, Otsuki (JP)

(73) Assignees: **Citizen Electronics Co., Ltd.**,
Yamanashi-Ken (JP); **Citizen Holdings**
Co., Ltd., Tokyo (JP)

(**) Term: **14 Years**

(21) Appl. No.: **29/406,380**

(22) Filed: **Nov. 14, 2011**

(30) **Foreign Application Priority Data**

May 16, 2011 (JP) 2011-010846

(51) **LOC (9) Cl.** **13-03**

(52) **U.S. Cl.** **D13/180**

(58) **Field of Classification Search** D13/180;
D26/1, 2; 257/79, 80, 81, 88, 89, 95, 98,
257/99, 100, E33.058; 313/483, 498, 500;
362/555, 800

See application file for complete search history.

(56) **References Cited**

U.S. PATENT DOCUMENTS

D476,960	S *	7/2003	Fukasawa et al.	D13/182
D478,879	S *	8/2003	Imai	D13/182
D590,354	S *	4/2009	Tsuchiya et al.	D13/180
D591,247	S *	4/2009	Miyashita et al.	D13/180
7,667,384	B2 *	2/2010	Chen et al.	313/500
7,714,334	B2 *	5/2010	Lin	257/81

D623,611	S *	9/2010	Okuwaki	D13/180
D628,166	S *	11/2010	Okuwaki	D13/180
D647,068	S *	10/2011	Okuwaki	D13/180
D647,865	S *	11/2011	Miyashita	D13/180
2006/0284207	A1 *	12/2006	Park et al.	257/99
2007/0114555	A1 *	5/2007	Takemoto et al.	257/99

* cited by examiner

Primary Examiner — Selina Sikder

(74) *Attorney, Agent, or Firm* — Browdy and Neimark,
PLLC

(57) **CLAIM**

The ornamental design for a light-emitting diode, as shown and described here.

DESCRIPTION

FIG. 1 is a top perspective view of a light-emitting diode showing my new design, with an upper surface, a front side surface and a right side surface shown; FIG. 2 is a bottom perspective view showing a bottom surface with rear and left side surfaces; FIG. 3 is a front elevation view thereof; FIG. 4 is a rear elevation view thereof; FIG. 5 is a top plan view thereof; FIG. 6 is a bottom plan view thereof; and, FIG. 7 is a left side elevation view, the right side being a mirror image thereof.

1 Claim, 4 Drawing Sheets

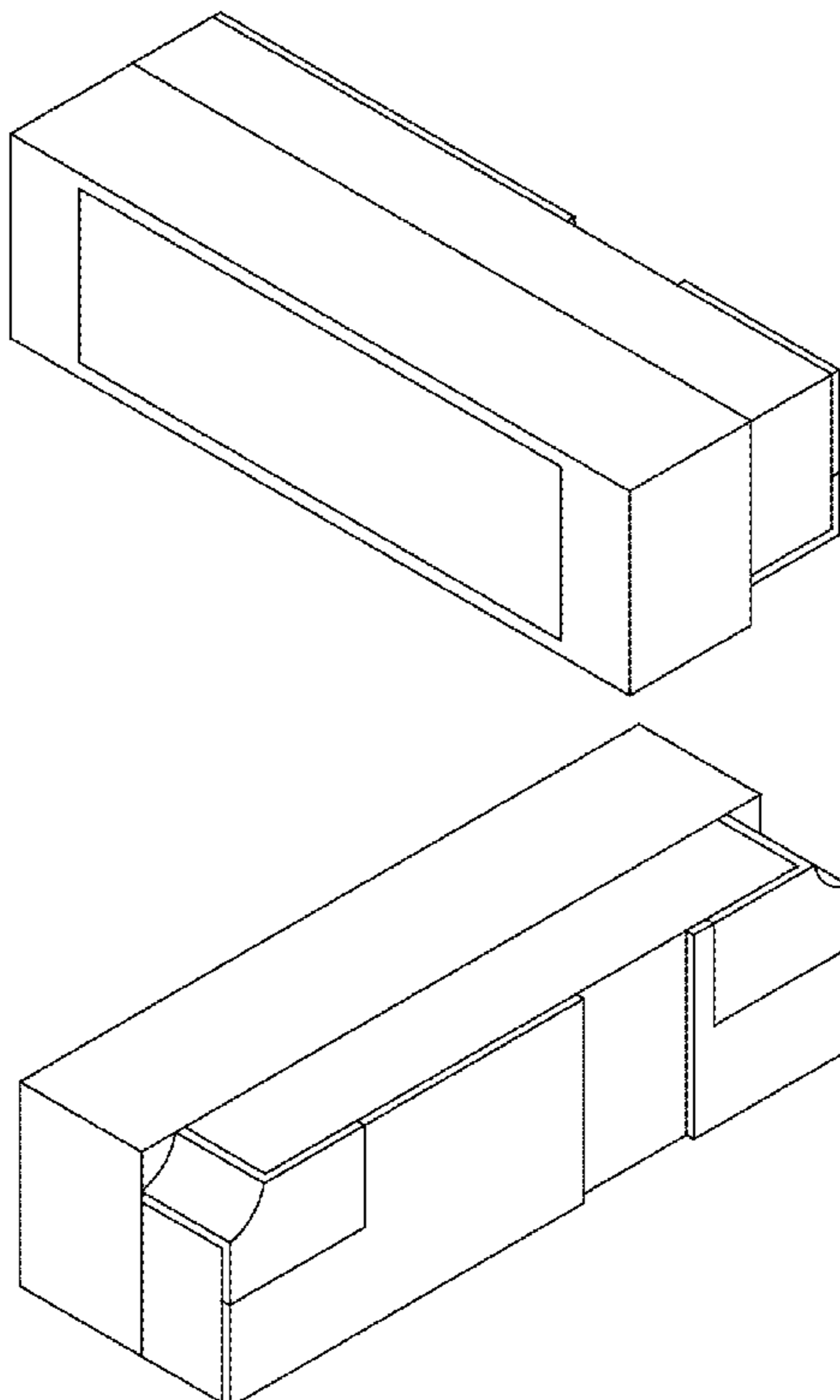


Fig. 1

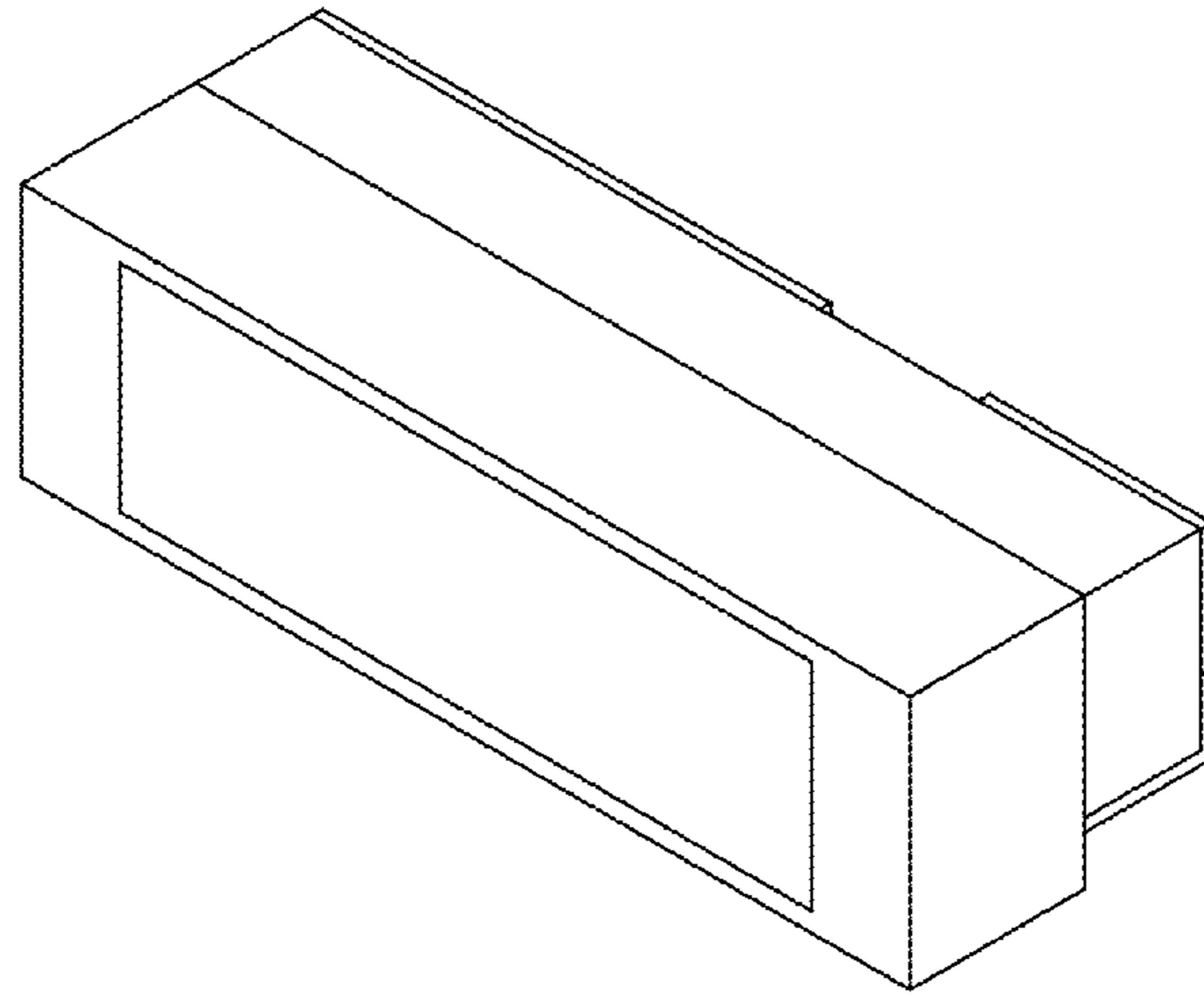


Fig. 2

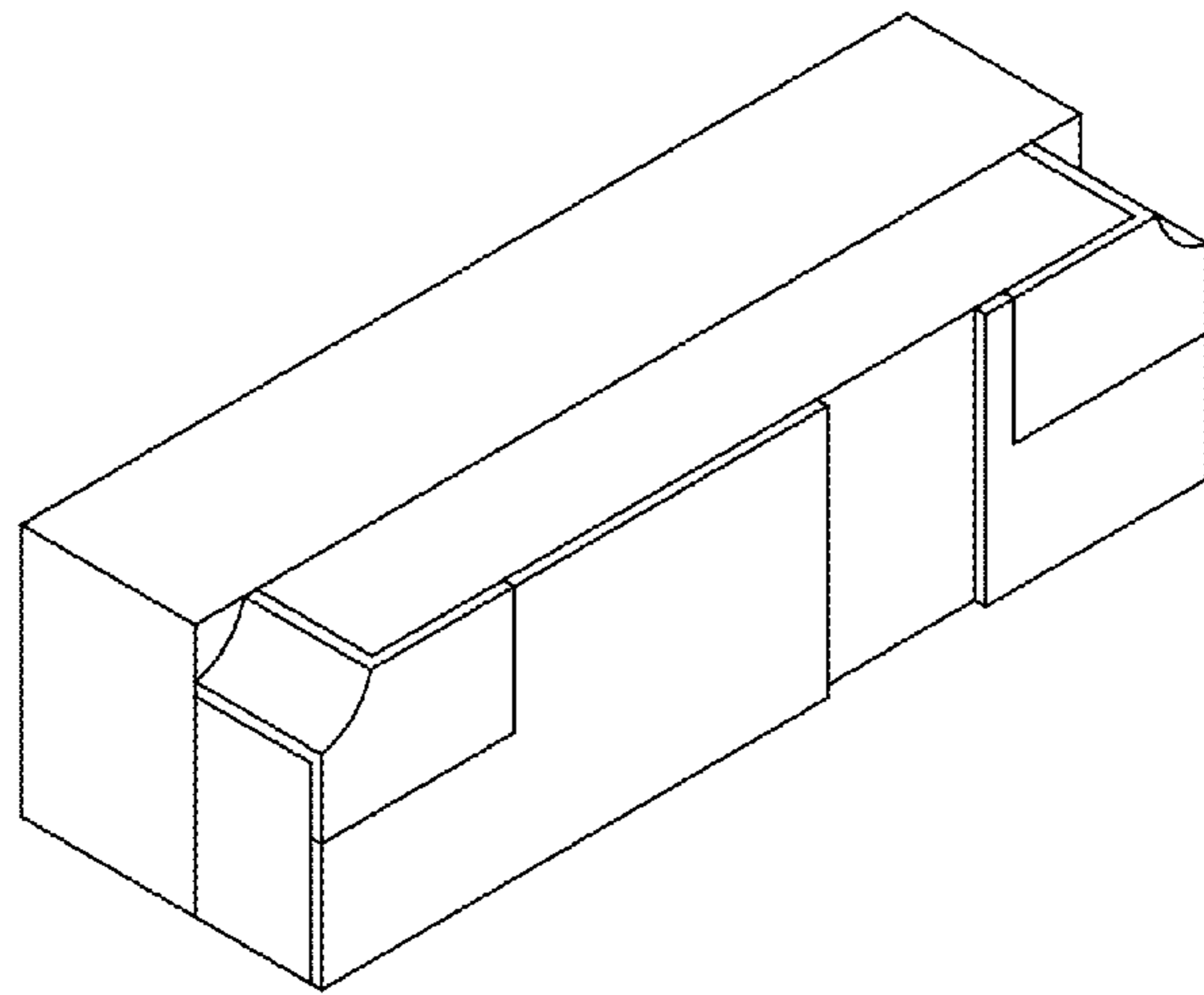


Fig. 3

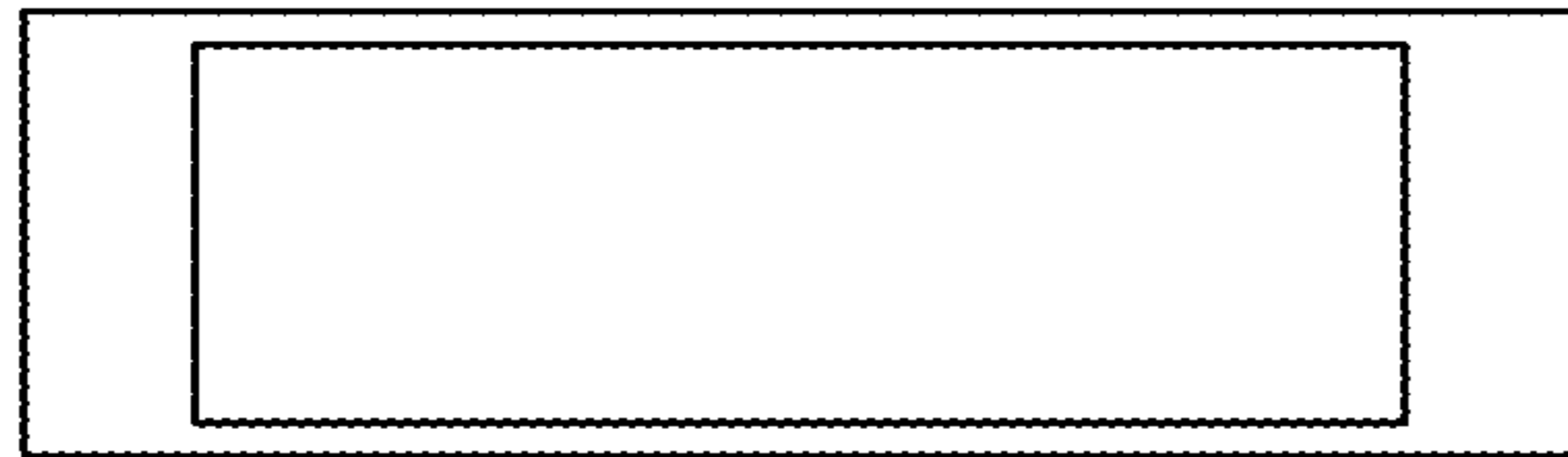


Fig. 4

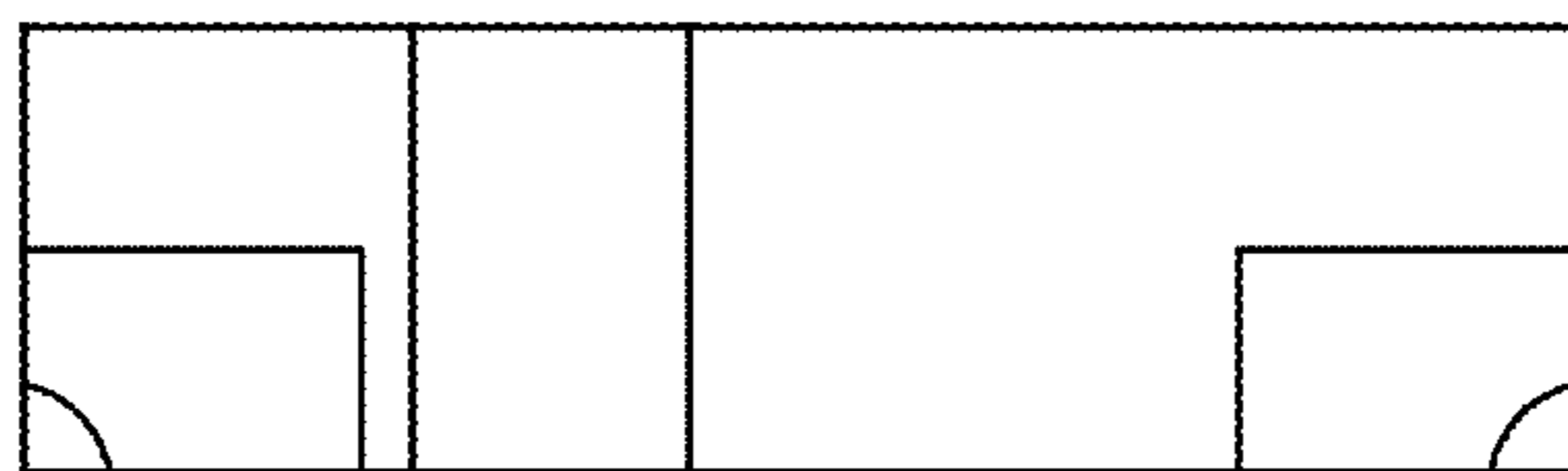


Fig. 5

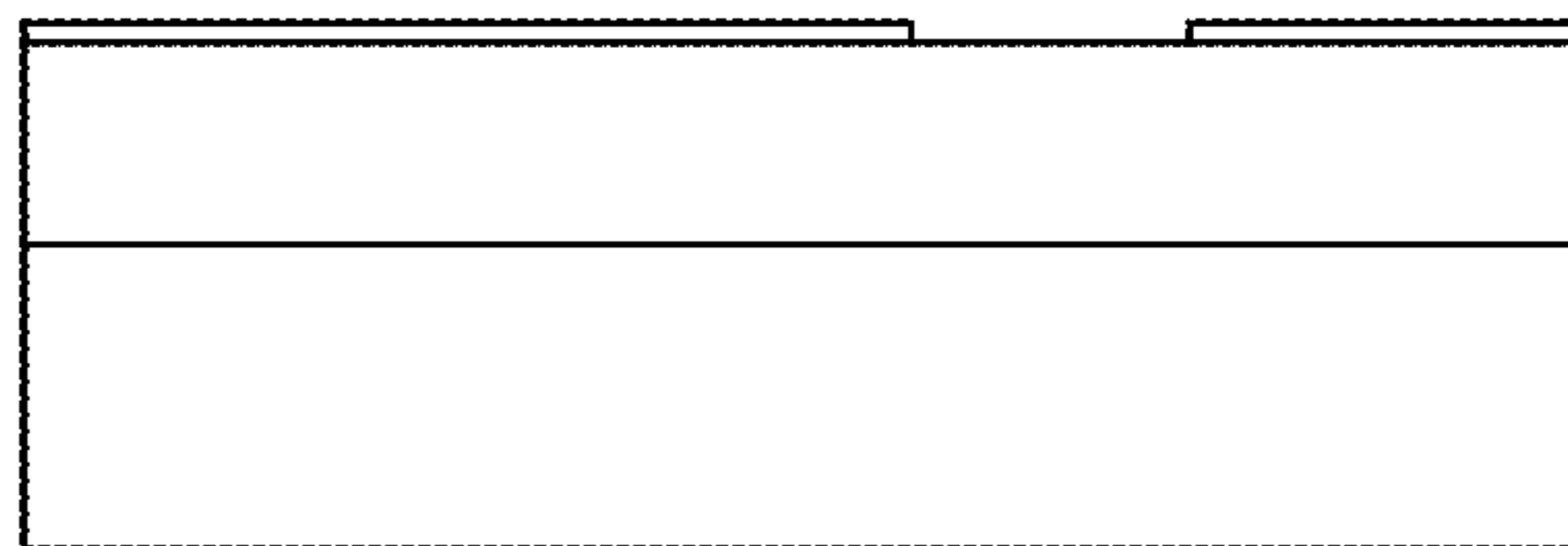


Fig. 6

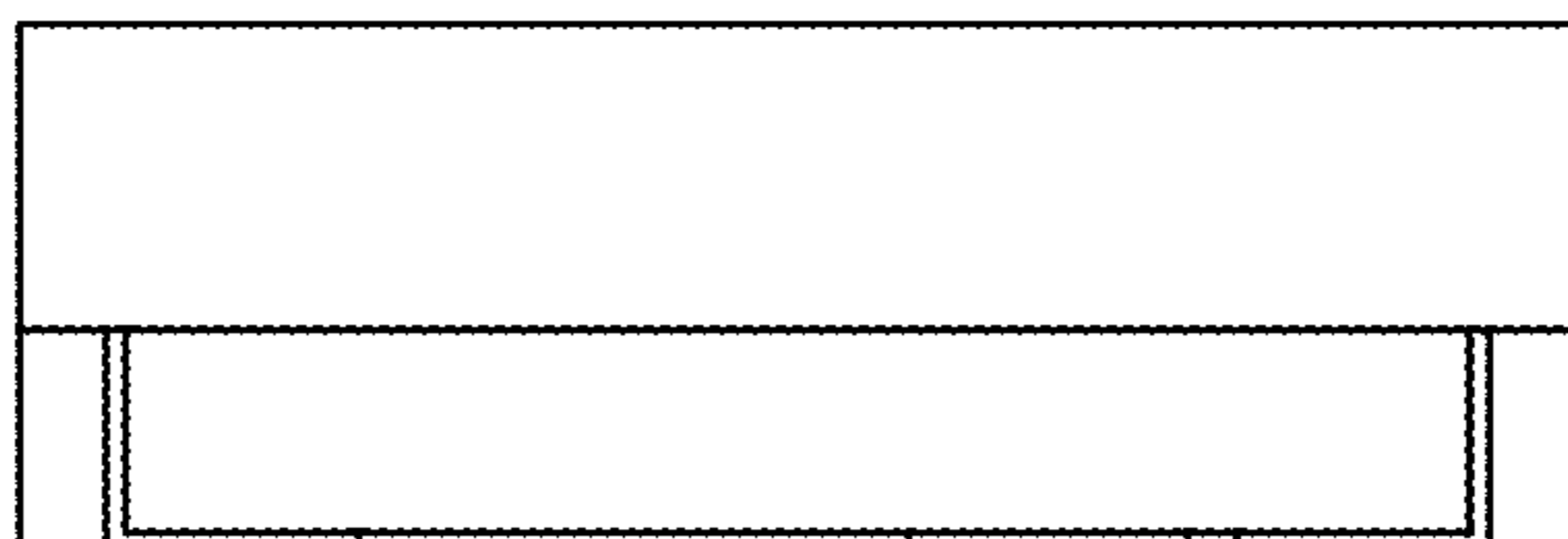


Fig. 7

