



US00D669042S

(12) **United States Design Patent**  
**Kanemaru et al.**

(10) **Patent No.:** **US D669,042 S**

(45) **Date of Patent:** **\*\* Oct. 16, 2012**

(54) **LIGHT-EMITTING DIODE**

(75) Inventors: **Atsushi Kanemaru**, Fujiyoshida (JP);  
**Junji Miyashita**, Fujiyoshida (JP)

(73) Assignees: **Citizen Electronics Co., Ltd.**,  
Yamanashi (JP); **Citizen Holdings Co., Ltd.**,  
Tokyo (JP)

(\*\*) Term: **14 Years**

(21) Appl. No.: **29/402,068**

(22) Filed: **Sep. 20, 2011**

(30) **Foreign Application Priority Data**

Mar. 22, 2011 (JP) ..... D2011-006368  
Apr. 4, 2011 (JP) ..... D2011-007696

(51) **LOC (9) Cl.** ..... **13-03**

(52) **U.S. Cl.** ..... **D13/180**

(58) **Field of Classification Search** ..... D13/180;  
D26/1, 2; 257/79, 80, 81, 88, 89, 95, 98,  
257/99, 100, E33.058; 313/483, 498, 500;  
362/555, 800

See application file for complete search history.

(56) **References Cited**

**U.S. PATENT DOCUMENTS**

D590,354 S \* 4/2009 Tsuchiya et al. .... D13/180  
D590,355 S \* 4/2009 Tsuchiya et al. .... D13/180  
D591,247 S \* 4/2009 Miyashita et al. .... D13/180  
D602,884 S \* 10/2009 Wada et al. .... D13/180  
7,667,384 B2 \* 2/2010 Chen et al. .... 313/500  
7,714,334 B2 \* 5/2010 Lin ..... 257/81  
D623,611 S \* 9/2010 Okuwaki ..... D13/180  
D647,068 S \* 10/2011 Okuwaki ..... D13/180  
D647,865 S \* 11/2011 Miyashita ..... D13/180  
D653,629 S \* 2/2012 Miyashita ..... D13/180

\* cited by examiner

*Primary Examiner* — Selina Sikder

(74) *Attorney, Agent, or Firm* — Browdy and Neimark,  
PLLC

(57) **CLAIM**

The ornamental design for a light-emitting diode, as shown and described here.

**DESCRIPTION**

FIG. 1 is a top perspective view of a first embodiment of a light-emitting diode showing our new design, with an upper surface, a front side surface and a right side surface shown; FIG. 2 is a bottom perspective view showing a bottom surface with rear and left side surfaces;

FIG. 3 is a front elevation view thereof;

FIG. 4 is a rear elevation view thereof;

FIG. 5 is a top plan view thereof;

FIG. 6 is a bottom plan view thereof, opposite the view of FIG. 5;

FIG. 7 is a right side view, the left side being a mirror image thereof;

FIG. 8 is a top perspective view of a second embodiment of a light-emitting diode showing our new design, with an upper surface, a front side surface and a right side surface shown; FIG. 9 is a bottom perspective view showing a bottom surface with rear and left side surfaces;

FIG. 10 is a front elevation view thereof;

FIG. 11 is a rear elevation view thereof;

FIG. 12 is a top plan view thereof;

FIG. 13 is a bottom plan view thereof, opposite the view of FIG. 12; and,

FIG. 14 is a right side view, the left side being a mirror image thereof.

**1 Claim, 12 Drawing Sheets**

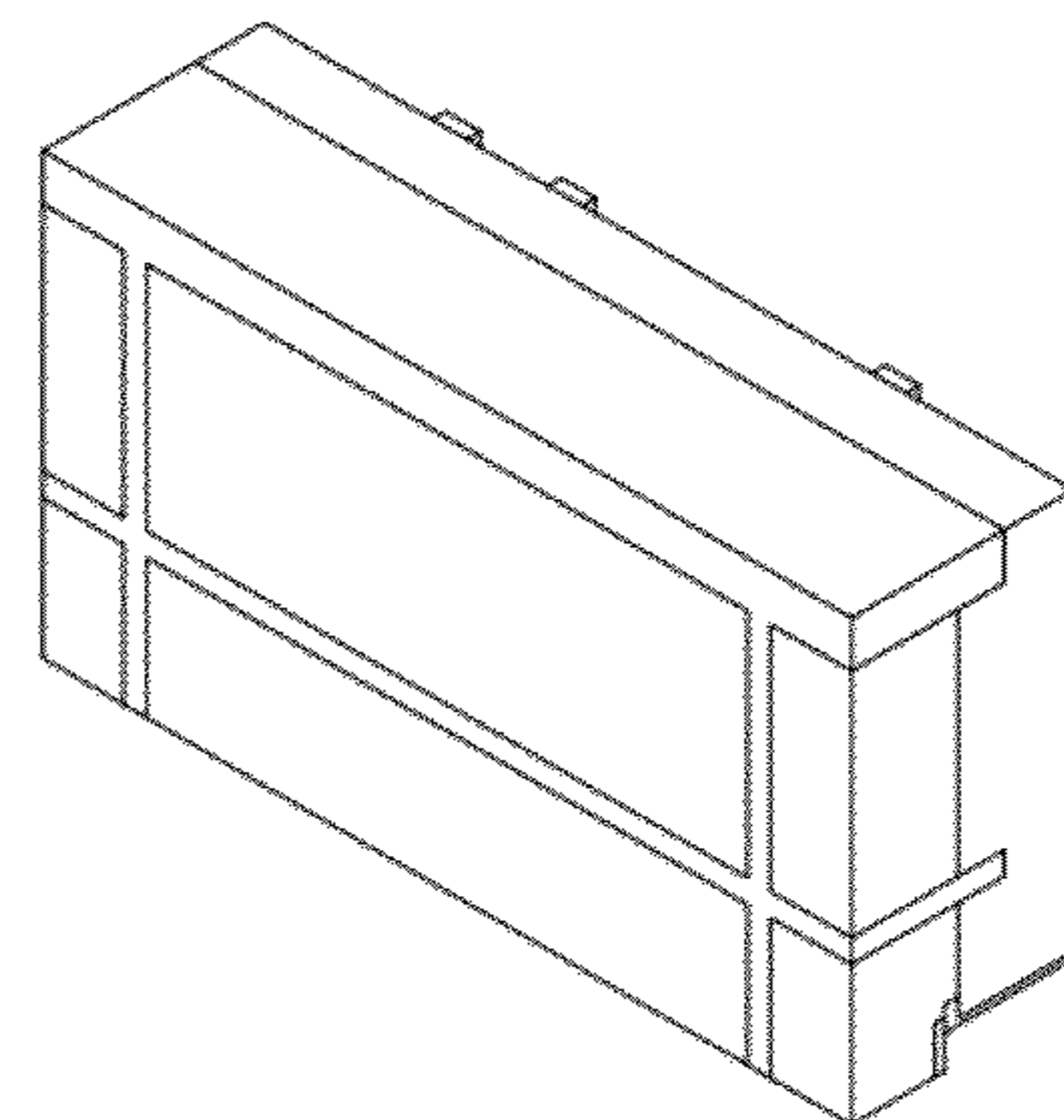
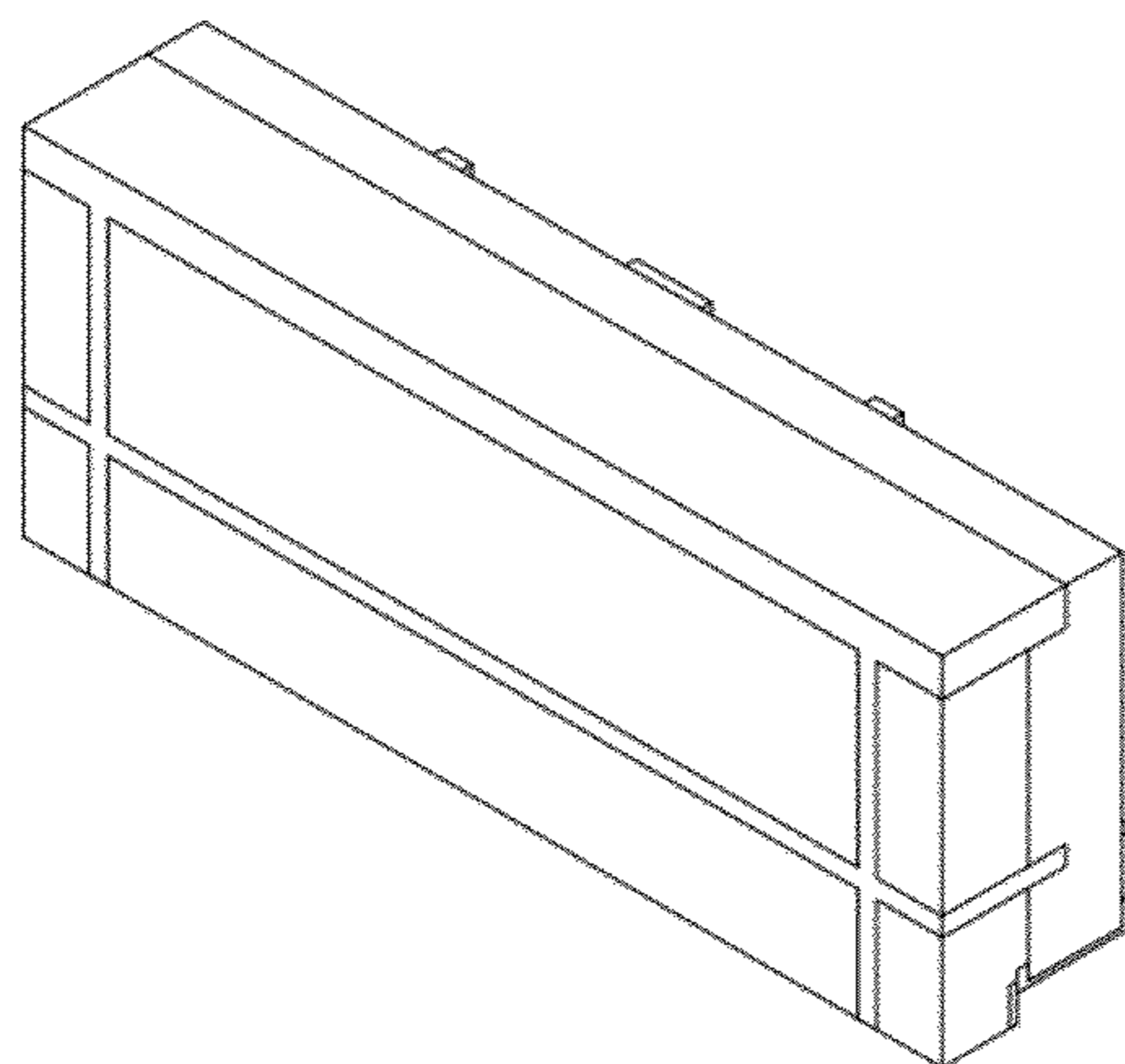


Fig. 1

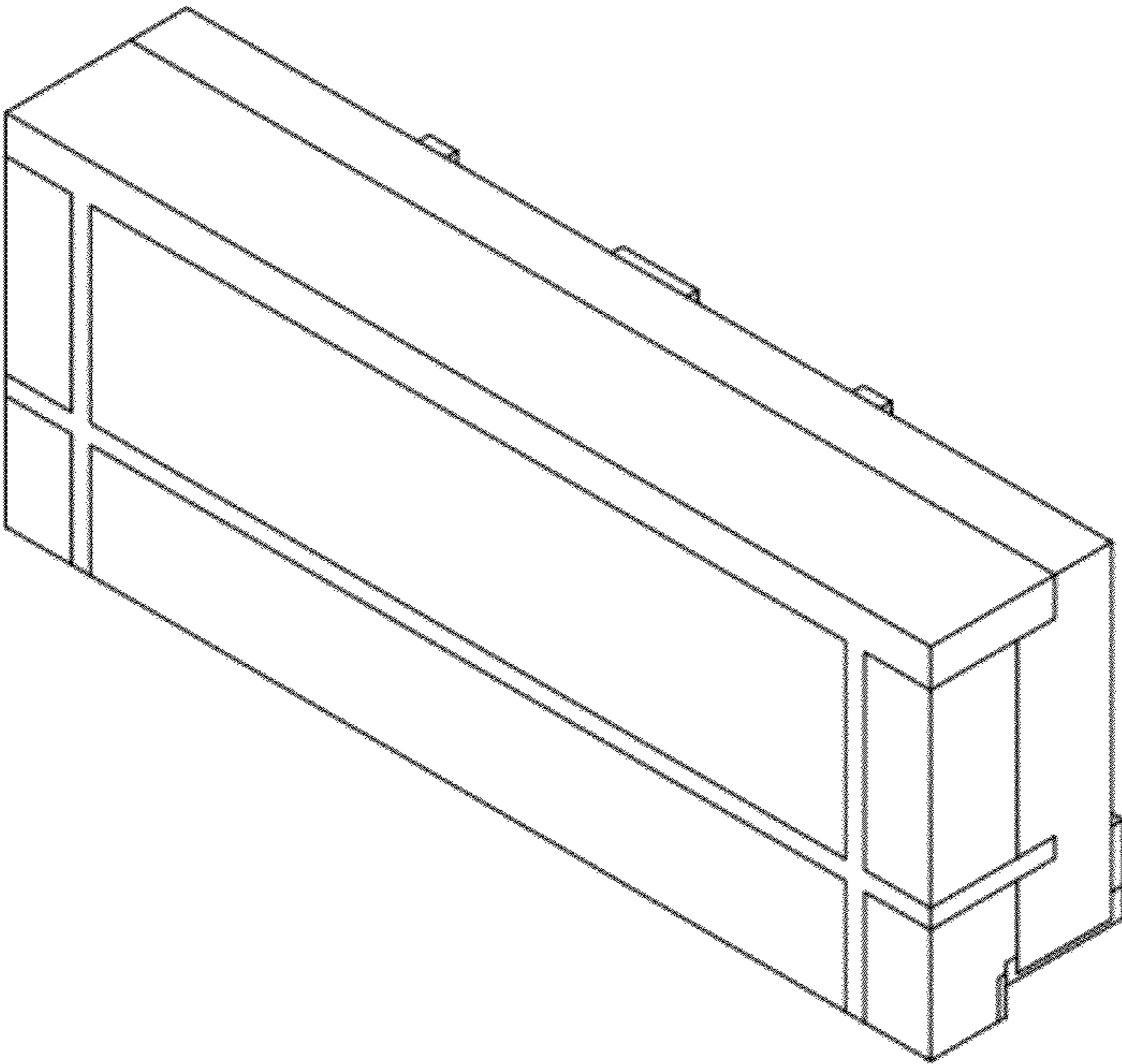


Fig. 2

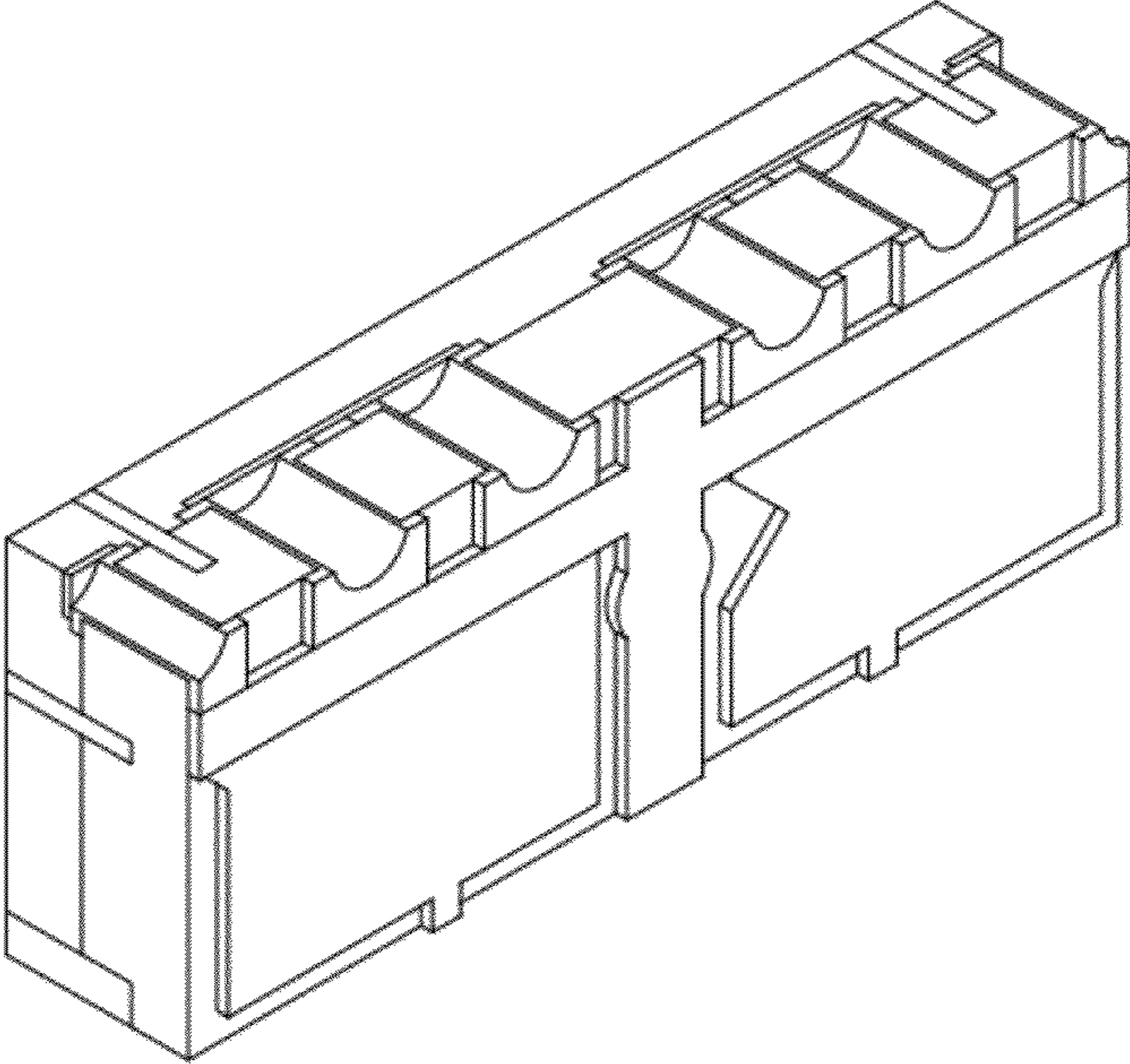


Fig. 3

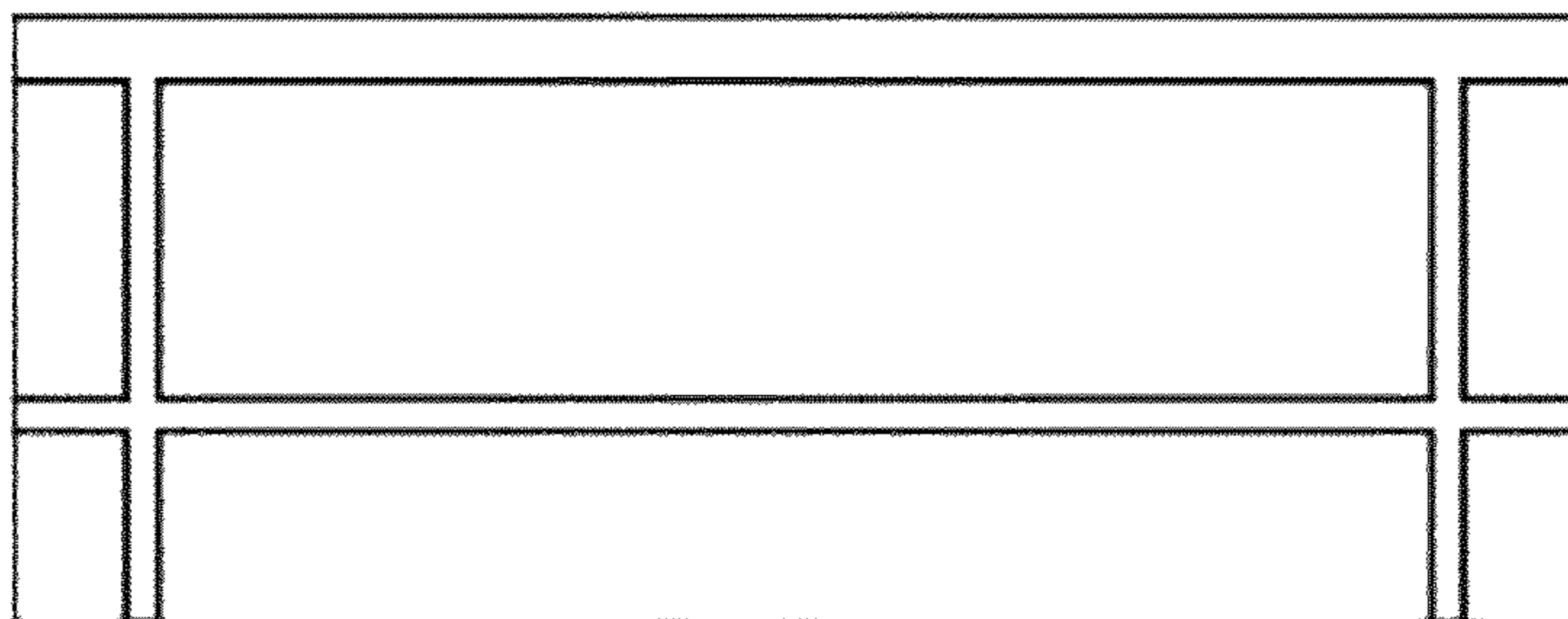


Fig. 4

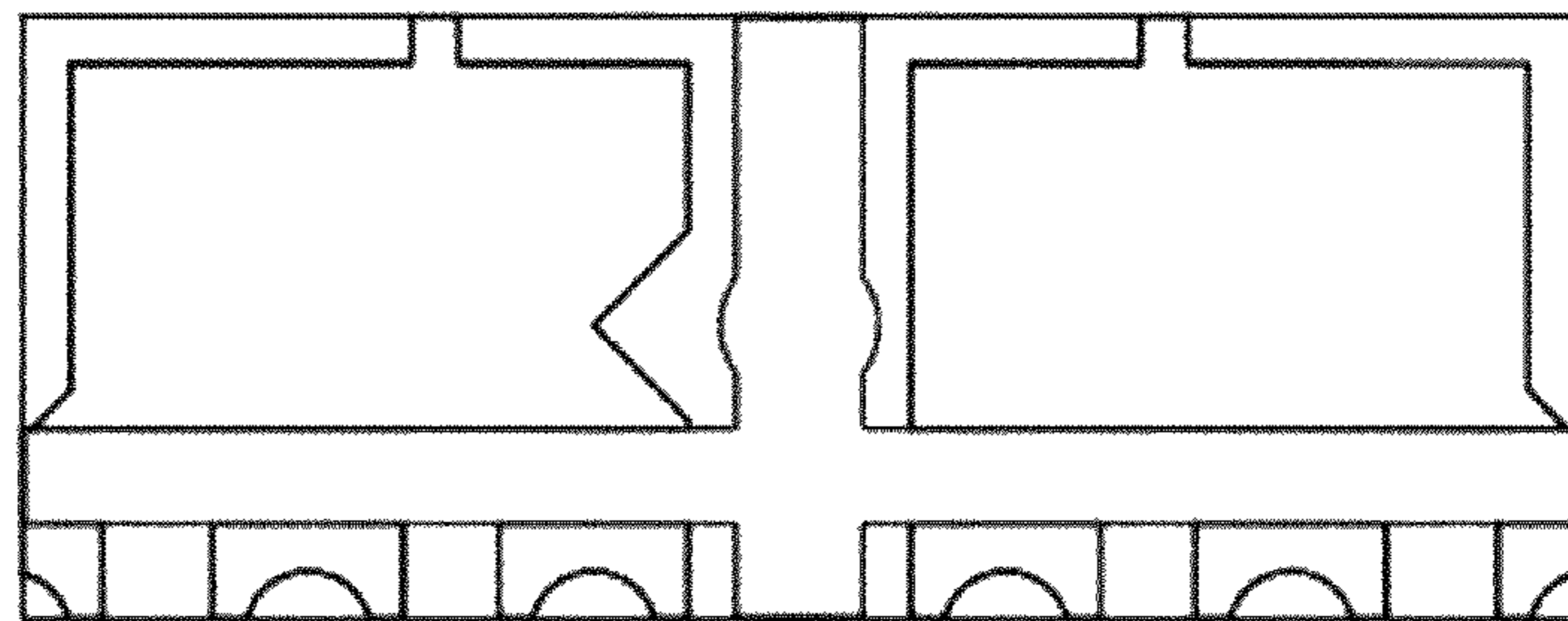


Fig. 5

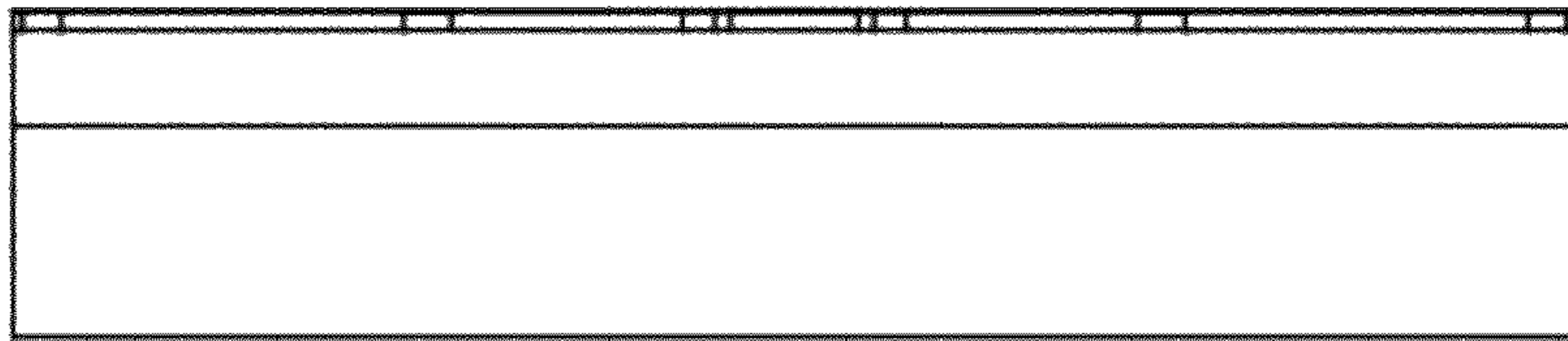


Fig. 6

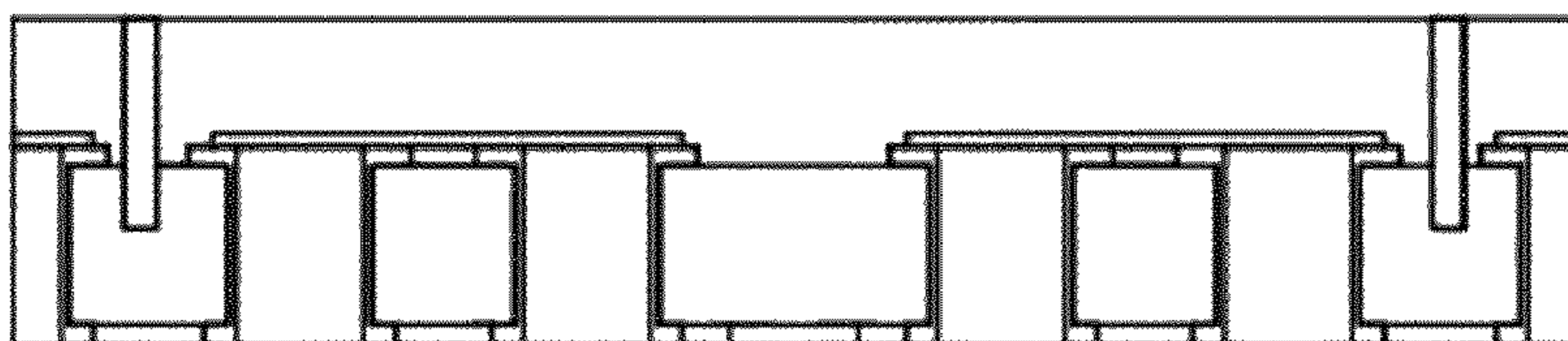


Fig. 7

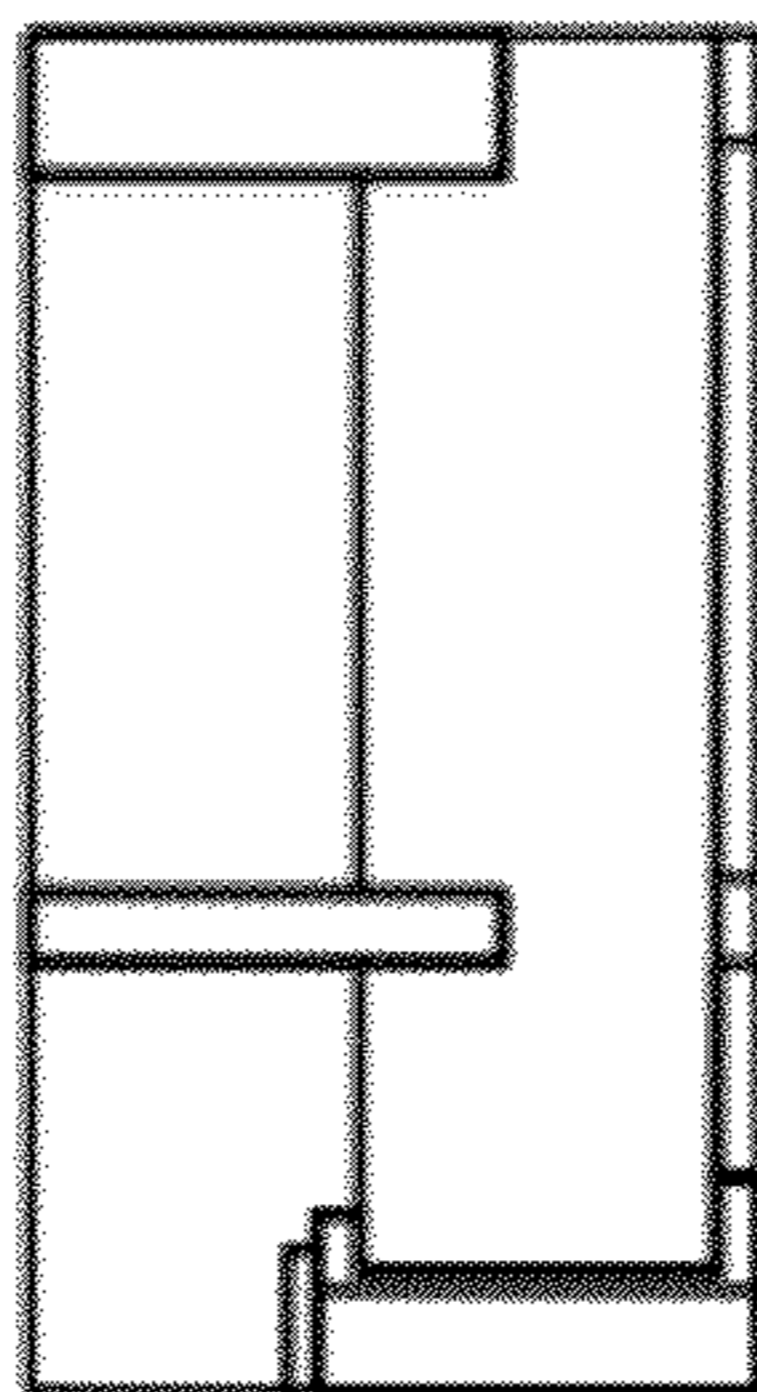


Fig. 8

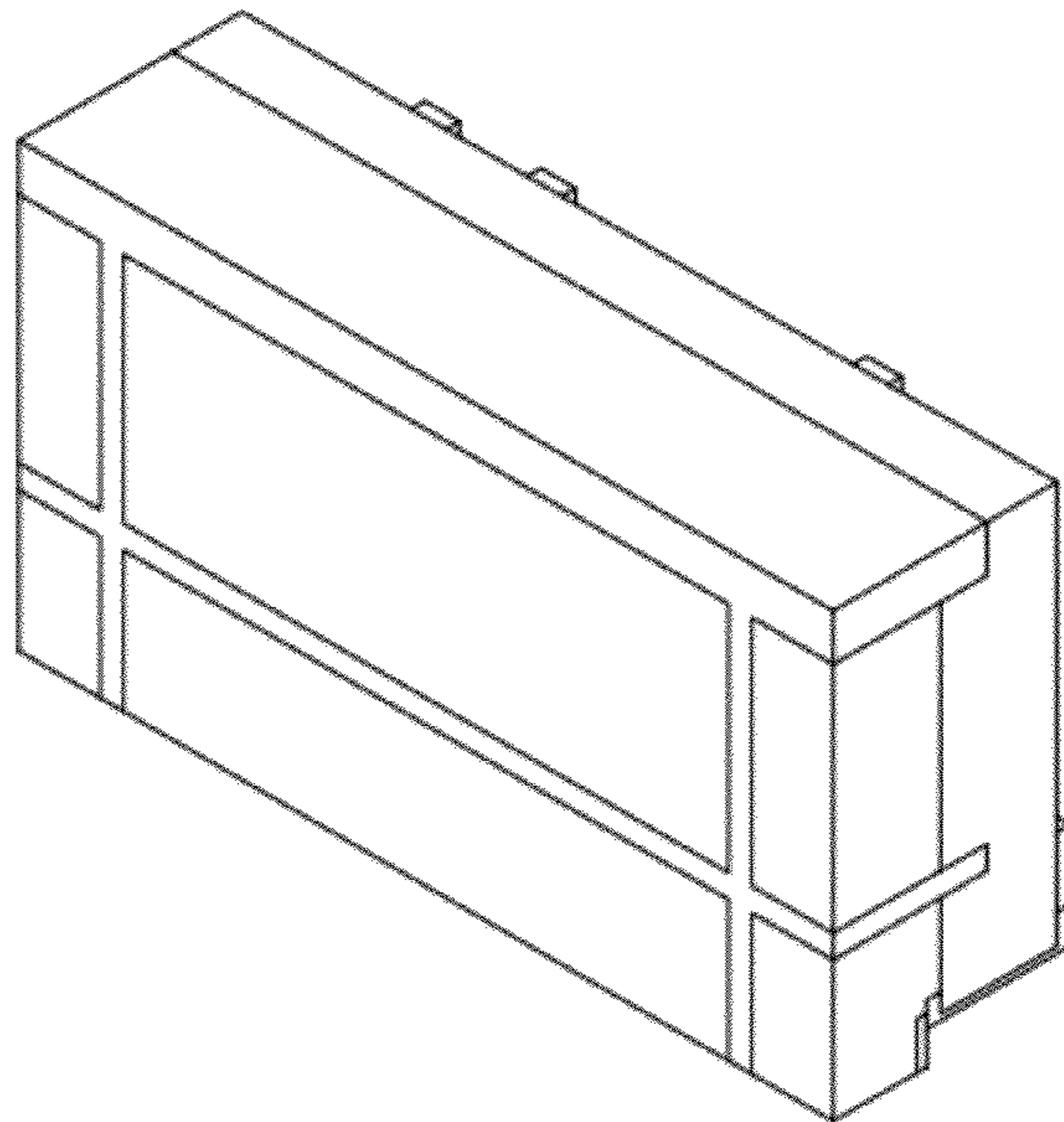




Fig. 9

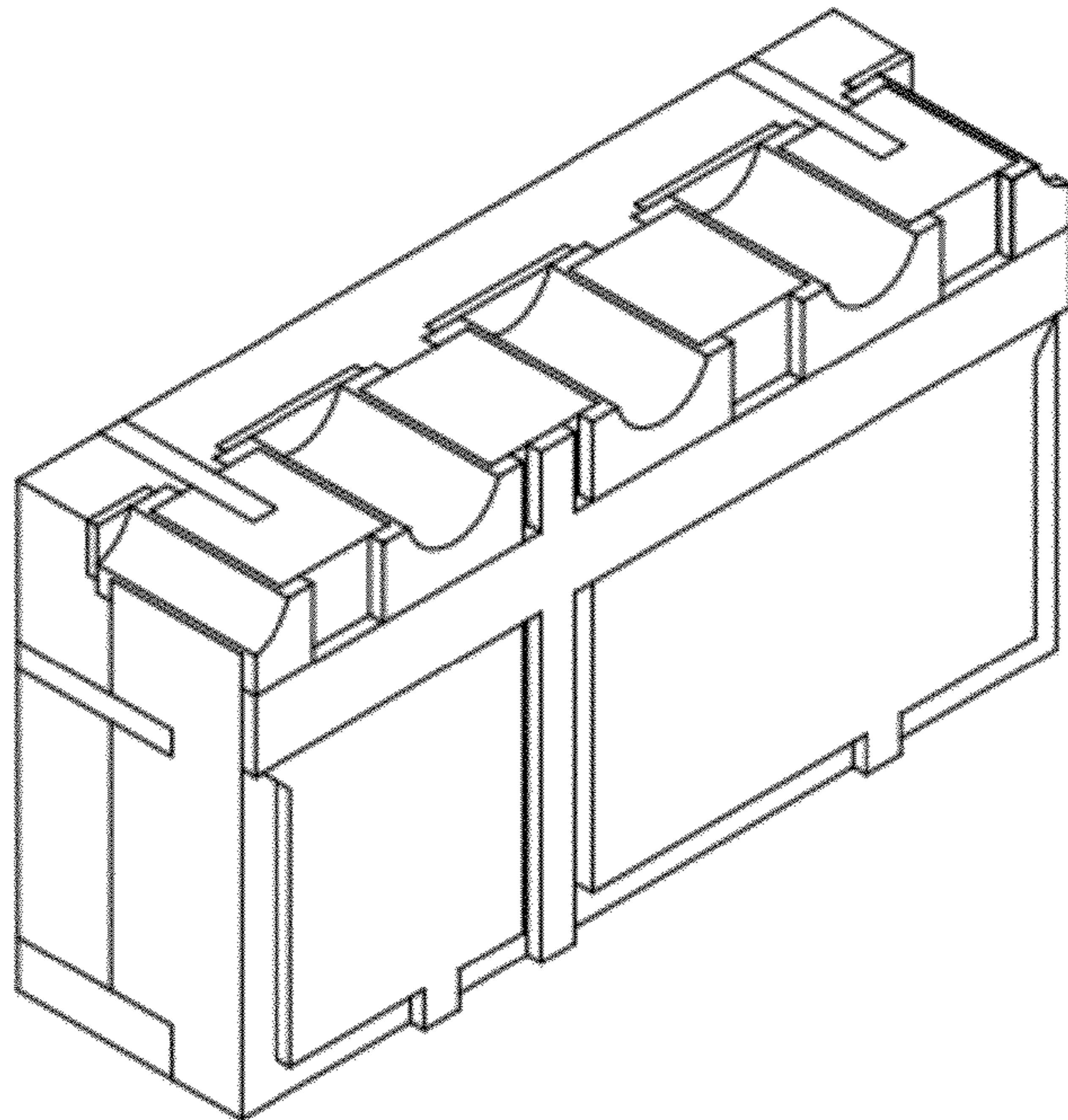


Fig. 10

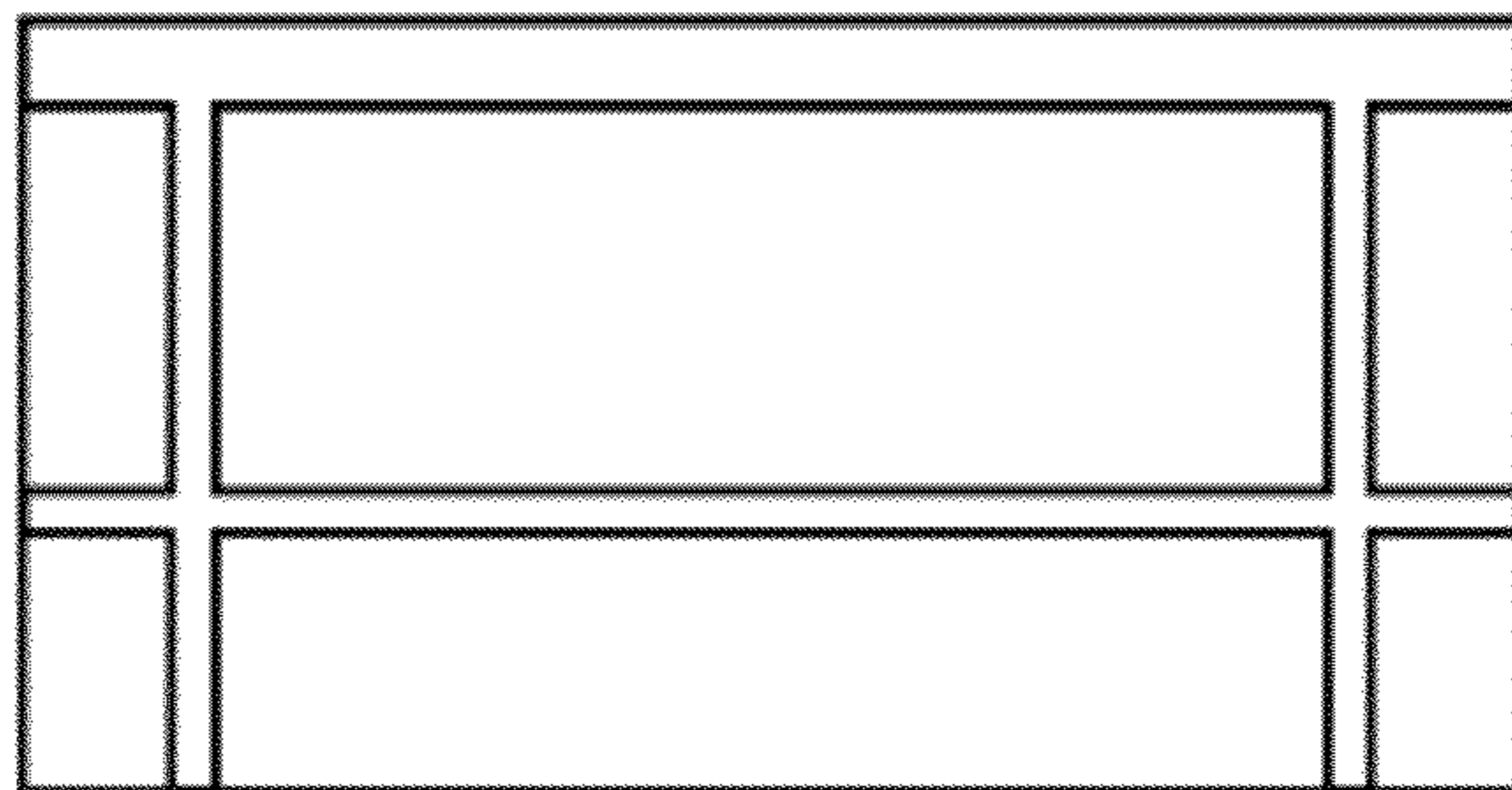


Fig. 11

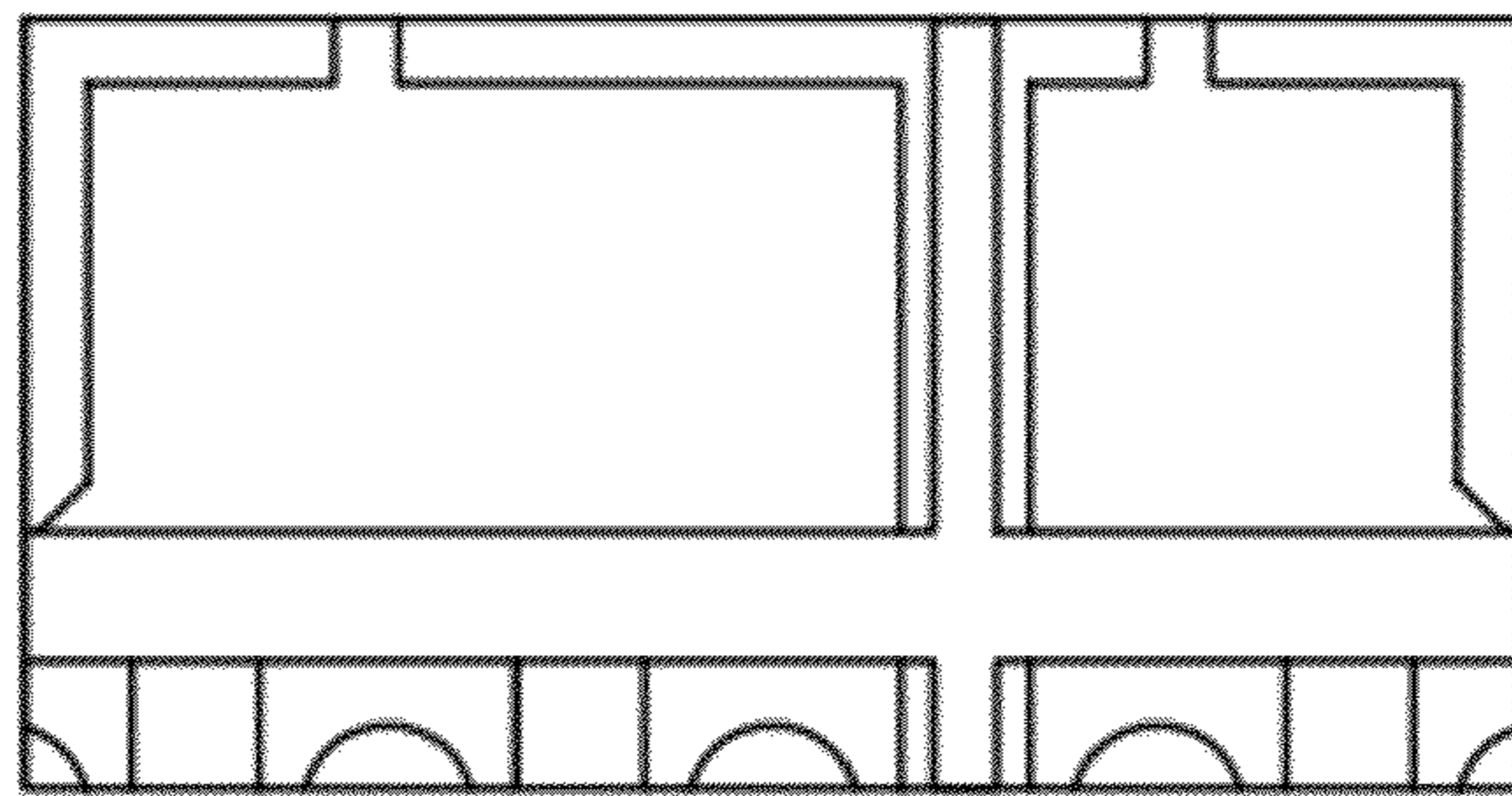


Fig. 12

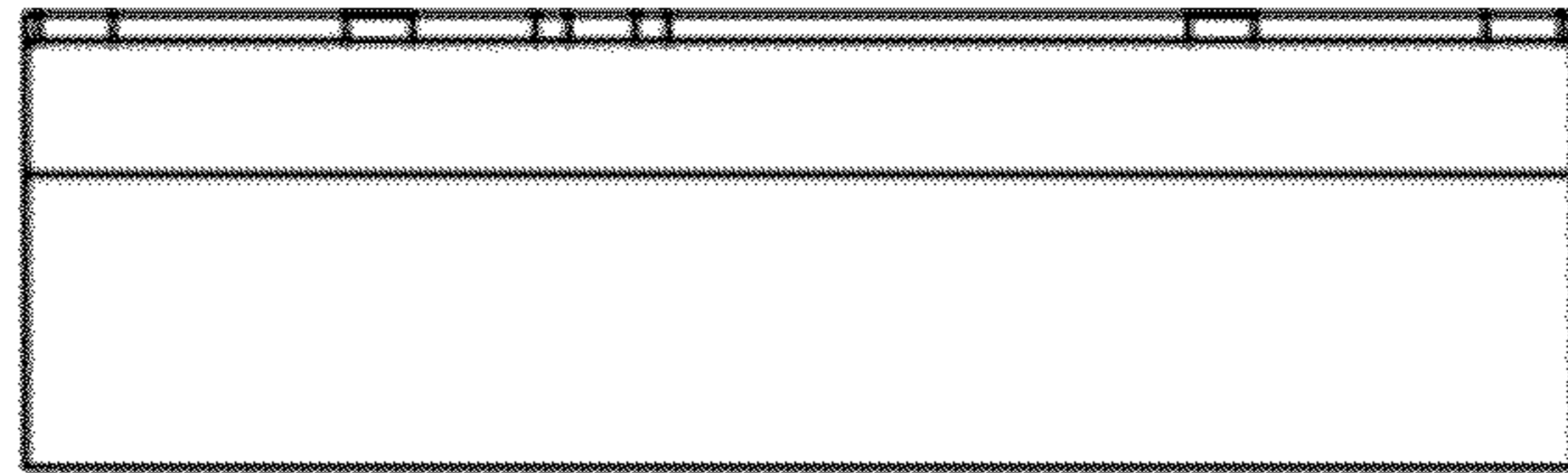


Fig. 13

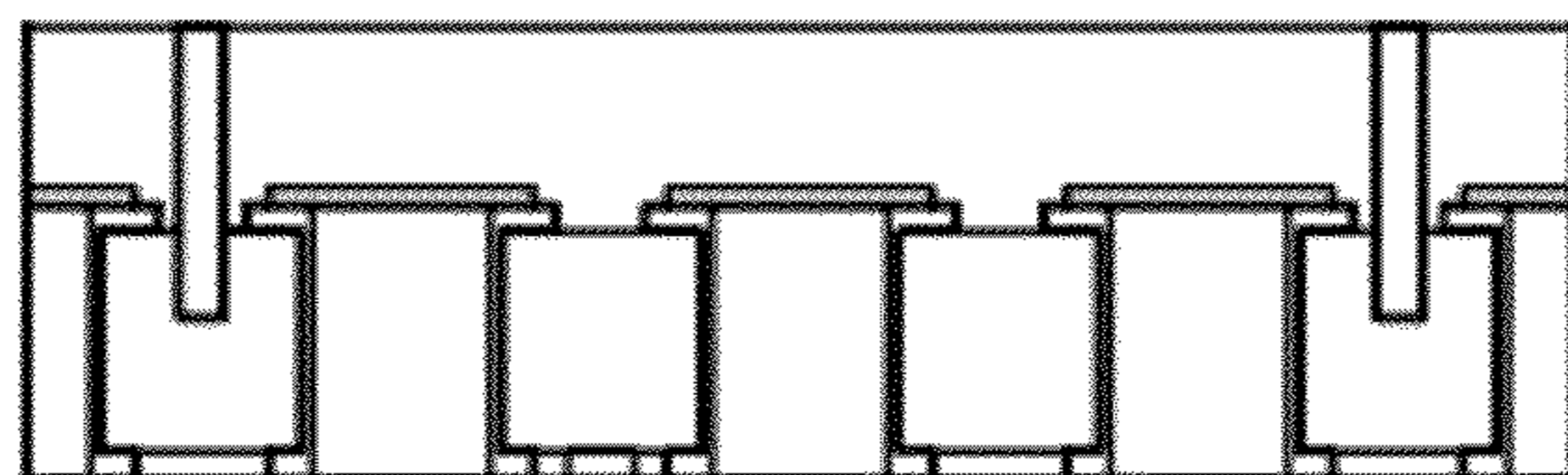


Fig. 14

