

US00D669041S

(12) **United States Design Patent**
Imai et al.

(10) **Patent No.:** **US D669,041 S**
(45) **Date of Patent:** **** Oct. 16, 2012**

(54) **LIGHT-EMITTING DIODE**
(75) Inventors: **Sadato Imai**, Minamitsuru-gun (JP);
Yuichi Miura, Minamitsuru-gun (JP);
Maki Takehara, Minamitsuru-gun (JP)
(73) Assignees: **Citizen Electronics Co., Ltd.**,
Yamanashi (JP); **Citizen Holdings Co., Ltd.**,
Tokyo (JP)

D607,420 S * 1/2010 Imai et al. D13/180
D615,052 S * 5/2010 Imai et al. D13/180
D618,635 S * 6/2010 Imai et al. D13/180
D645,417 S * 9/2011 Imai et al. D13/180
D647,492 S * 10/2011 Imai et al. D13/180
D650,760 S * 12/2011 Hussell et al. D13/180
2010/0096642 A1* 4/2010 Chang et al. 257/88
2011/0062482 A1* 3/2011 Solomensky et al. 257/99
2011/0291151 A1* 12/2011 Matsuda et al. 257/99

* cited by examiner

(**) Term: **14 Years**
(21) Appl. No.: **29/388,891**
(22) Filed: **Apr. 4, 2011**

Primary Examiner — Selina Sikder
(74) *Attorney, Agent, or Firm* — Browdy and Neimark,
PLLC

(30) **Foreign Application Priority Data**
Oct. 5, 2010 (JP) D2010-023889
Oct. 5, 2010 (JP) D2010-023890
(51) **LOC (9) Cl.** **13-03**
(52) **U.S. Cl.** **D13/180**
(58) **Field of Classification Search** D13/180;
D26/1, 2; 257/79, 80, 81, 88, 89, 95, 98,
257/99, 100, E33.058; 313/483, 498, 500;
362/555, 800
See application file for complete search history.

(57) **CLAIM**
The ornamental design for a light-emitting diode, as shown
and described here.

DESCRIPTION

FIG. 1 is a top perspective view of a first embodiment of a
light-emitting diode showing our design;
FIG. 2 is a back perspective view thereof;
FIG. 3 is a front view thereof;
FIG. 4 is a rear view thereof;
FIG. 5 is a top view thereof;
FIG. 6 is a bottom view thereof opposite the view of FIG. 5;
and,
FIG. 7 is a side view thereof, an opposing side view thereof
being identical to FIG. 7.

(56) **References Cited**
U.S. PATENT DOCUMENTS
D570,797 S * 6/2008 Song D13/180
D591,248 S * 4/2009 Imai et al. D13/180

1 Claim, 5 Drawing Sheets

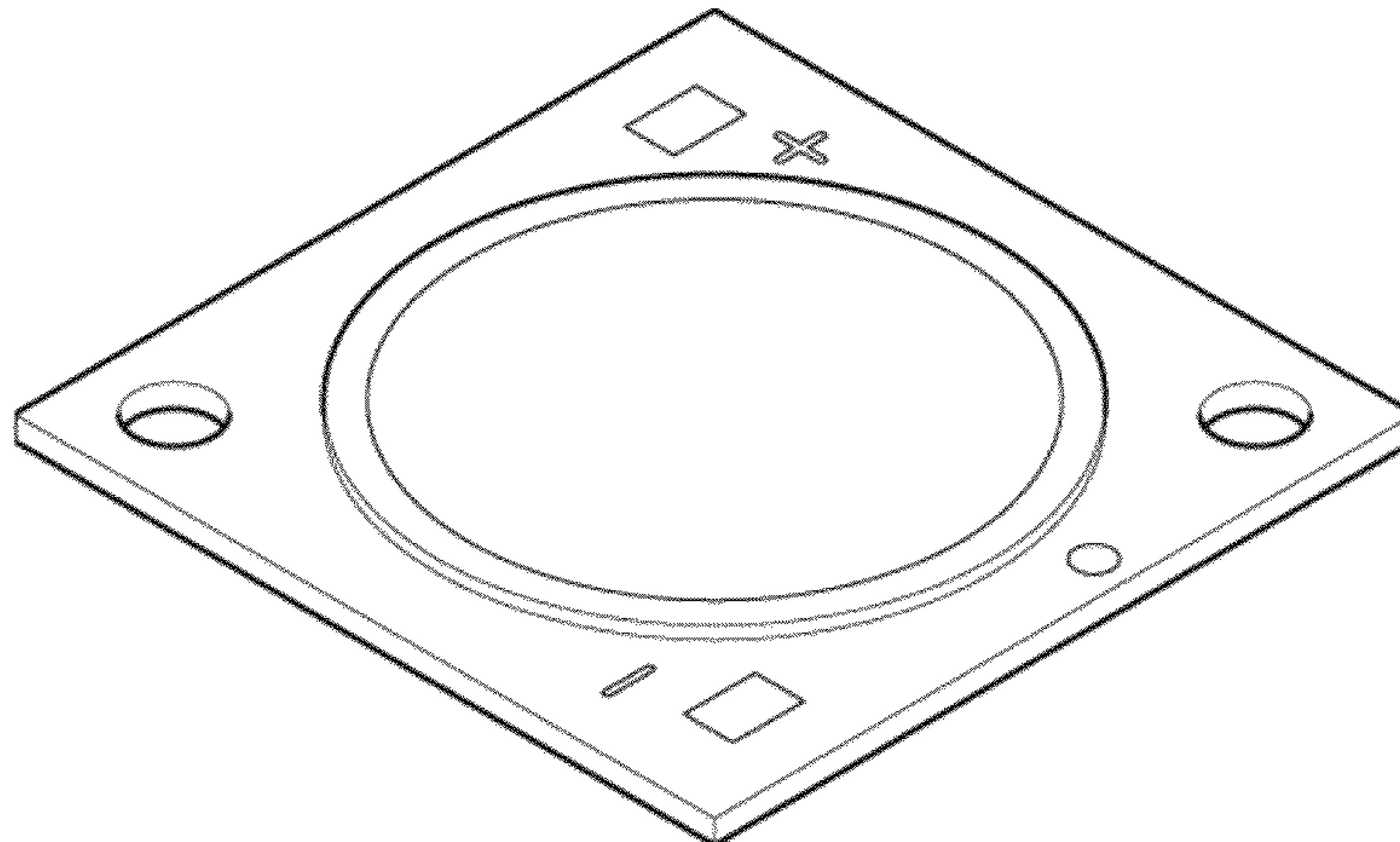


Fig. 1

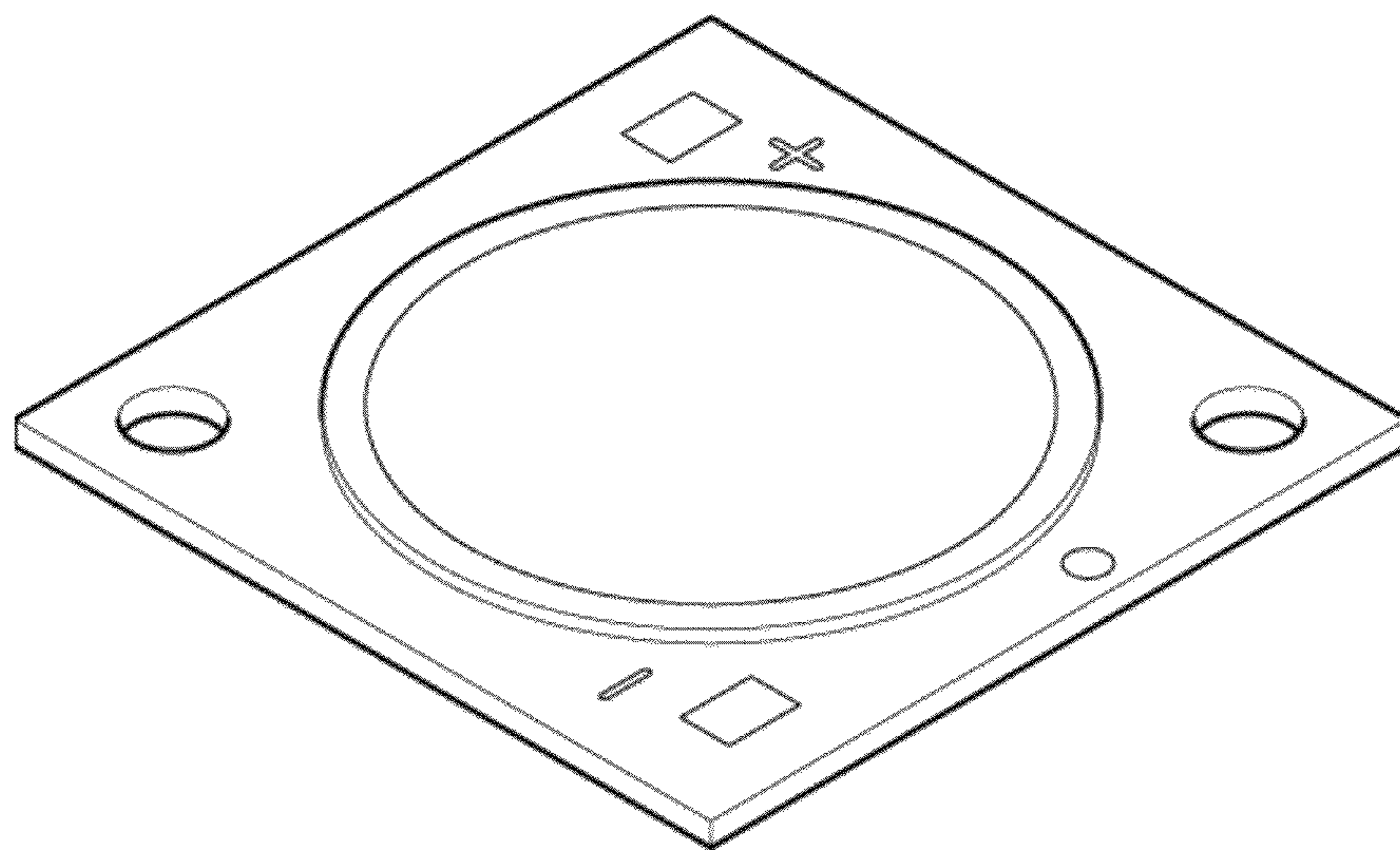


Fig. 2

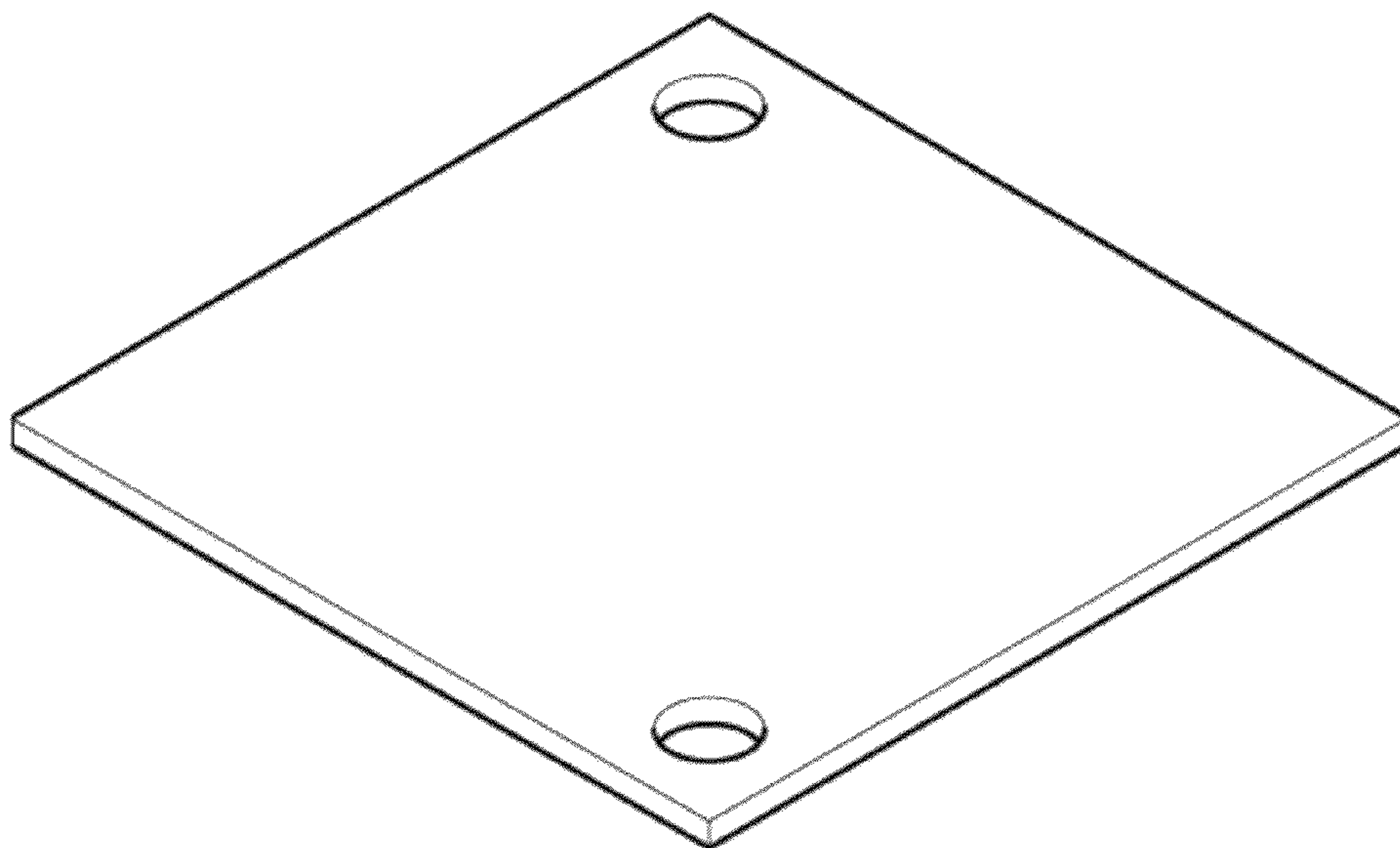


Fig. 3

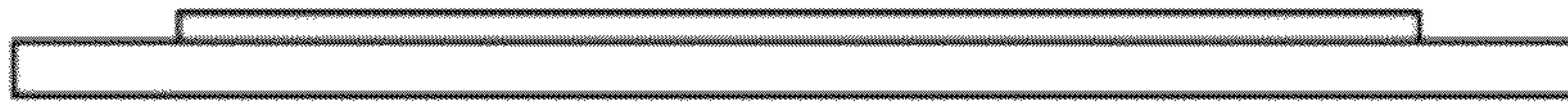


Fig. 4



Fig. 5

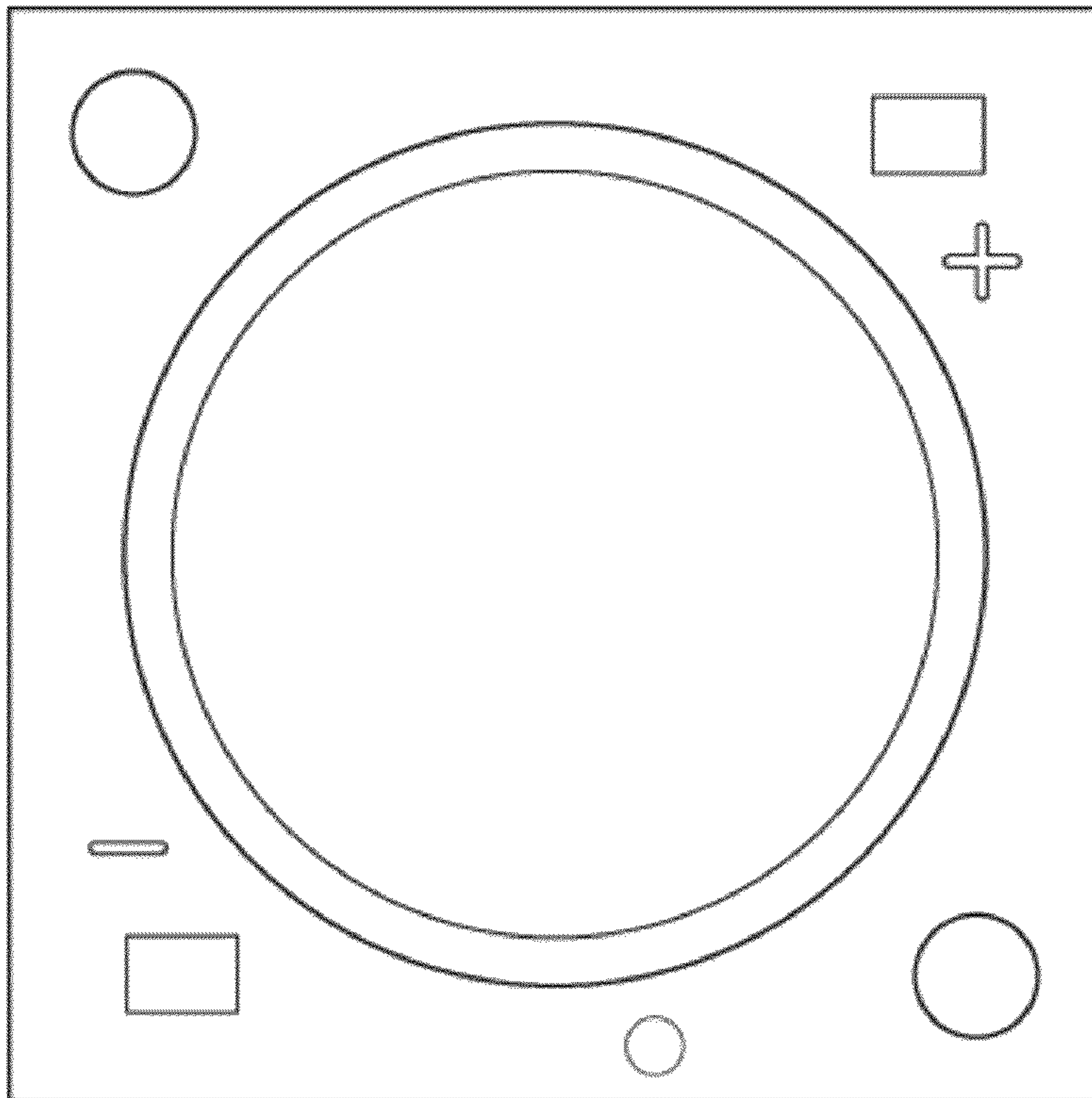


Fig. 6

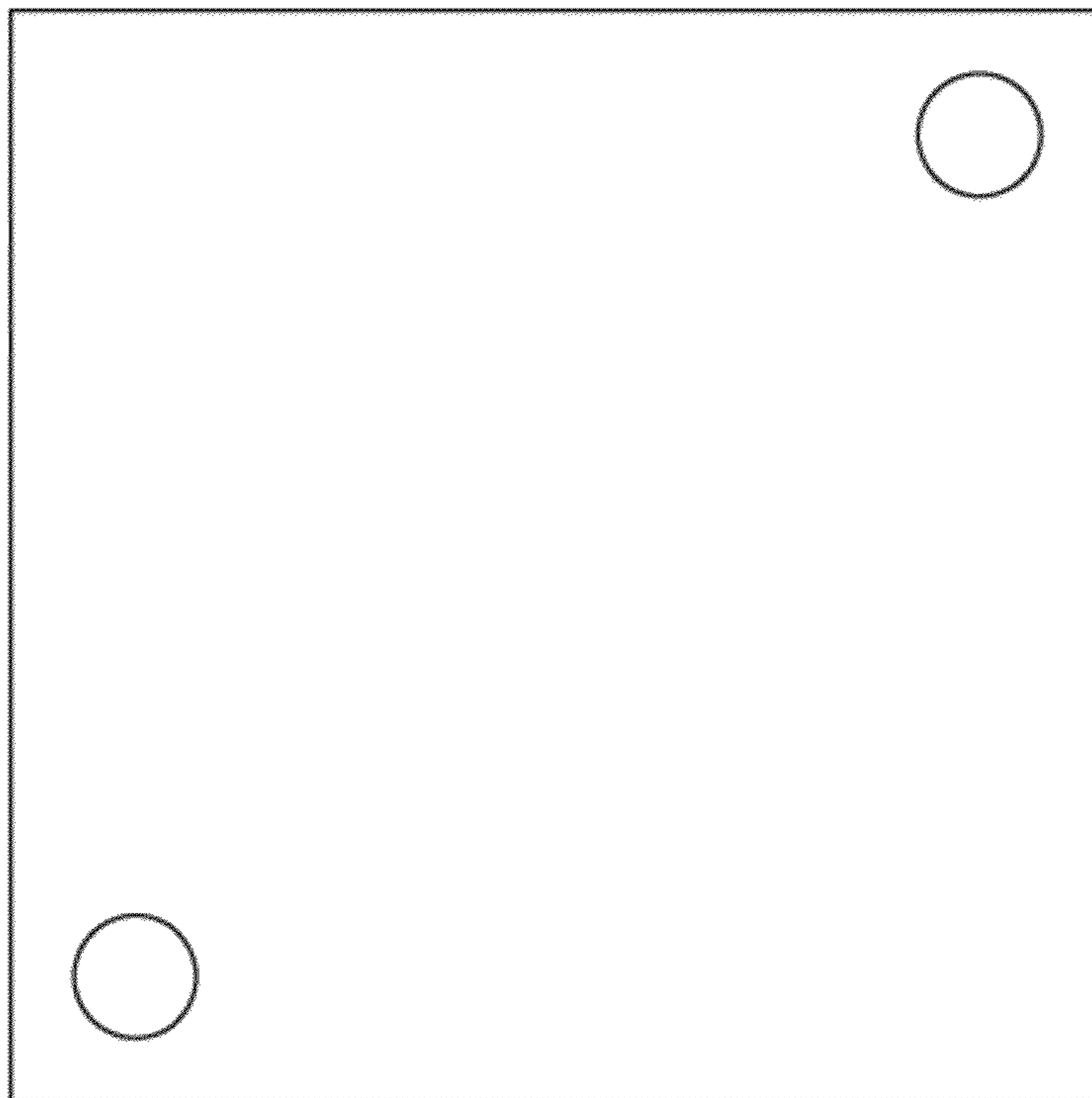


Fig. 7

