



US00D669040S

(12) **United States Design Patent**
Hussell et al.

(10) **Patent No.:** **US D669,040 S**

(45) **Date of Patent:** **** *Oct. 16, 2012**

(54) **LIGHT EMITTING DIODE**

(75) Inventors: **Christopher P. Hussell**, Cary, NC (US);
David Todd Emerson, Chapel Hill, NC (US)

(73) Assignee: **Cree, Inc.**, Durham, NC (US)

(*) Notice: This patent is subject to a terminal disclaimer.

(**) Term: **14 Years**

(21) Appl. No.: **29/365,193**

(22) Filed: **Jul. 6, 2010**

Related U.S. Application Data

(62) Division of application No. 29/334,956, filed on Apr. 6, 2009, now Pat. No. Des. 621,802, which is a division of application No. 29/276,271, filed on Jan. 19, 2007, now Pat. No. Des. 595,673.

(51) **LOC (9) Cl.** **13-03**

(52) **U.S. Cl.** **D13/180**

(58) **Field of Classification Search** D13/180;
D26/2; 257/79, 80, 81, 88, 89, 95, 98, 99,
257/100, E33.058; 313/483, 498, 500; 362/555,
362/800

See application file for complete search history.

(56) **References Cited**

U.S. PATENT DOCUMENTS

D478,877 S	8/2003	Hoshiba
D482,337 S	11/2003	Kamada
D489,677 S	5/2004	Ishida
D489,690 S	5/2004	Ishida
D489,691 S	5/2004	Ishida
D489,692 S	5/2004	Ishida
D489,693 S	5/2004	Ishida
D490,062 S	5/2004	Ishida
D490,384 S	5/2004	Ishida
D490,385 S	5/2004	Ishida
D490,386 S	5/2004	Ishida

D490,783 S	6/2004	Ishida
D490,784 S	6/2004	Ishida
D491,538 S	6/2004	Ishida
D493,429 S	7/2004	Ishida
D495,667 S	9/2004	Kim et al.
D496,007 S	9/2004	Hoshiba
D497,349 S	10/2004	Hoshiba
6,800,996 B2	10/2004	Nagai et al.
D499,384 S	12/2004	Kamada
D499,385 S	12/2004	Ishida
D500,292 S	12/2004	Ishida

(Continued)

FOREIGN PATENT DOCUMENTS

JP 1066644 1/2000

(Continued)

OTHER PUBLICATIONS

Color photos Lumileds LEDs, 1 page, (for exam purposes, date is assumed to be before Dec. 21, 2006).

(Continued)

Primary Examiner — Selina Sikder

(74) *Attorney, Agent, or Firm* — Myers Bigel Sibley & Sajovec

(57) **CLAIM**

The ornamental design for an LED, as shown and described.

DESCRIPTION

FIG. 1 is a front bottom perspective view of an LED showing our design;

FIG. 2 is a bottom view thereof;

FIG. 3 is a back view thereof;

FIG. 4 is a top view thereof;

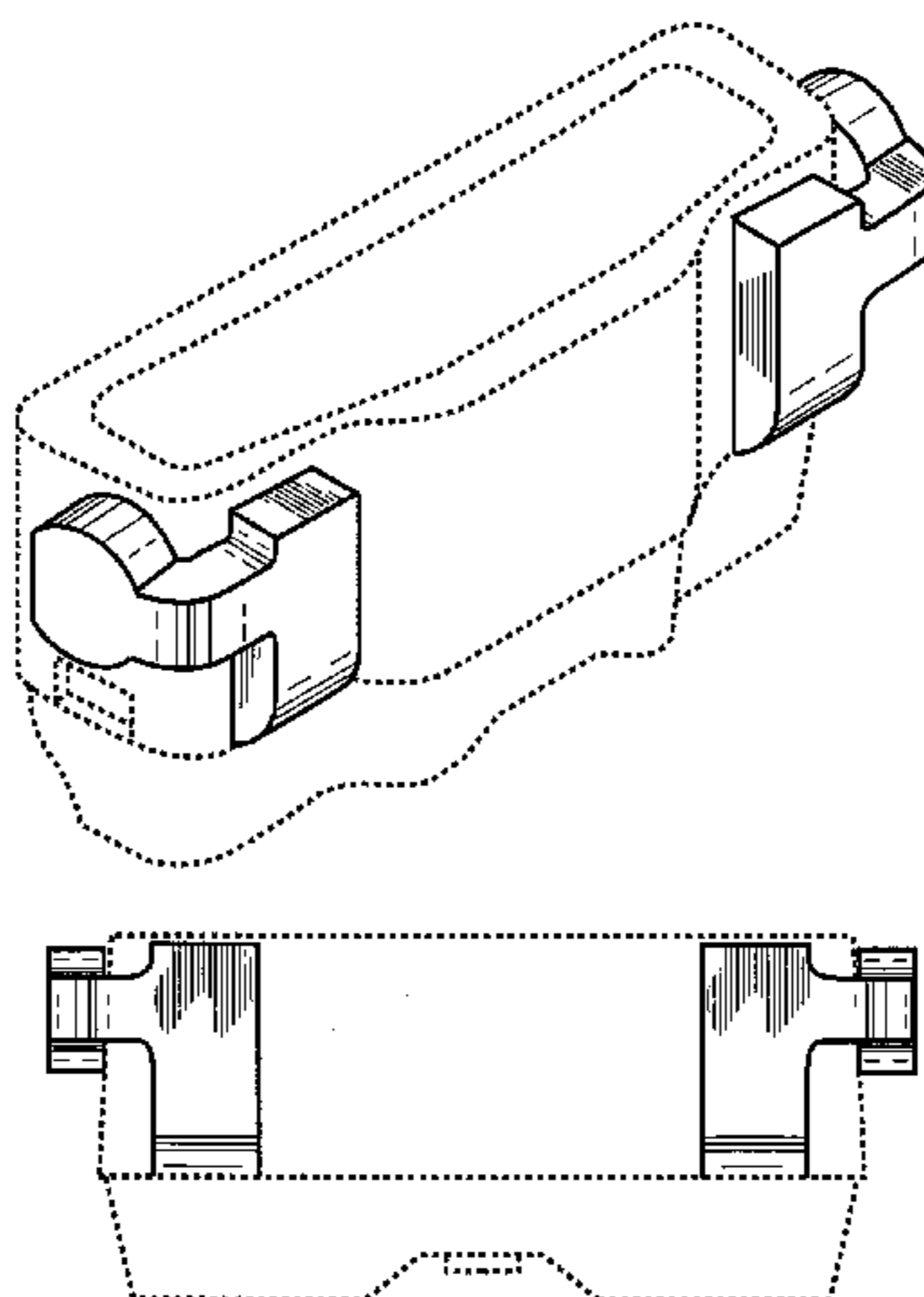
FIG. 5 is front view thereof;

FIG. 6 is a side view thereof; and,

FIG. 7 is an opposing side view thereof.

The broken lines shown herein are for illustrative purposes only and form no part of the claimed design.

1 Claim, 2 Drawing Sheets



US D669,040 S

Page 2

U.S. PATENT DOCUMENTS

D500,293	S	12/2004	Ishida	
D500,294	S	12/2004	Ishida	
6,841,931	B2	1/2005	Takahashi et al.	
D501,831	S	2/2005	Ishida	
D502,449	S	3/2005	Ishida	
D502,689	S	3/2005	Ishida	
D503,388	S	3/2005	Ishida	
D504,116	S	4/2005	Ishida	
D504,404	S	4/2005	Ishida	
D504,873	S	5/2005	Ishida	
D506,449	S	6/2005	Hoshiba	
D507,782	S	7/2005	Ishida	
D508,233	S	8/2005	Kasae et al.	
D508,468	S	8/2005	Ishida	
D509,487	S	9/2005	Ishida	
D509,488	S	9/2005	Ishida	
D509,807	S	9/2005	Ishida	
D510,326	S	10/2005	Ishida	
6,953,952	B2	10/2005	Asakawa	
D511,147	S	11/2005	Suenaga	
D511,148	S	11/2005	Ishida	
D512,031	S	11/2005	Ishida	
D515,044	S	2/2006	Ishida	
D516,527	S	3/2006	Kamada	
7,009,285	B2	3/2006	Su et al.	
D518,449	S	4/2006	Ishida	
D519,943	S	5/2006	Kamada	
D527,352	S	8/2006	Wu et al.	
D529,451	S	10/2006	Kim et al.	
D533,146	S	12/2006	Wu et al.	
D592,161	S	5/2009	Song	
D593,515	S	6/2009	Nakagawa	
D595,673	S	7/2009	Hussell et al.	
D605,612	S	12/2009	Hussell et al.	
D608,739	S *	1/2010	Hussell	D13/180
D614,592	S *	4/2010	Hussell et al.	D13/180
D621,802	S *	8/2010	Hussell et al.	D13/180
2005/0121688	A1	6/2005	Nagai et al.	
2006/0023451	A1	2/2006	Han et al.	
2007/0246729	A1	10/2007	Park	

FOREIGN PATENT DOCUMENTS

JP	1066644-001	1/2000
JP	1066644-002	1/2000
JP	1046447-003	4/2000
JP	1077515	4/2000
JP	1095890	10/2000
JP	1095891	10/2000
JP	1106839	2/2001
JP	1106840	2/2001
JP	1106536	4/2001
JP	1111619	4/2001
JP	1111620	4/2001
JP	1111621	4/2001
JP	1111622	4/2001
JP	1112059	4/2001
JP	1112060	4/2001
JP	1112061	4/2001
JP	1112063	4/2001
JP	1112064	4/2001
JP	1112065	4/2001
JP	1113779	4/2001
JP	1112062	6/2001
JP	1130123	11/2001
JP	1144883	4/2002
JP	1145648	5/2002
JP	1146350	5/2002
JP	1149468	6/2002
JP	1149469	6/2002
JP	1150366	6/2002
JP	1150522	6/2002
JP	1150817	11/2002
JP	1163901	11/2002
JP	1164214	11/2002
JP	1164215	11/2002
JP	1164216	11/2002
JP	1164217	11/2002

JP	1164218	11/2002
JP	1164988	12/2002
JP	1164989	12/2002
JP	1167668	1/2003
JP	1168086	1/2003
JP	1168087	1/2003
JP	1170087	2/2003
JP	1170089	2/2003
JP	1170090	2/2003
JP	1170881	2/2003
JP	1170883	2/2003
JP	1170884	2/2003
JP	1170885	2/2003
JP	1170886	2/2003
JP	1171193	2/2003
JP	1171194	2/2003
JP	1171195	2/2003
JP	1171196	2/2003
JP	1171207	2/2003
JP	1171213	2/2003
JP	1171707	2/2003
JP	1171708	2/2003
JP	1171709	2/2003
JP	1171710	2/2003
JP	1171719	2/2003
JP	1171720	2/2003
JP	1171979	3/2003
JP	1171980	3/2003
JP	1172383	3/2003
JP	1172384	3/2003
JP	1172385	3/2003
JP	1172386	3/2003
JP	1172954	3/2003
JP	1175163	4/2003
JP	1175164	4/2003
JP	1175165	4/2003
JP	1175166	4/2003
JP	1176631	4/2003
JP	1177057	4/2003
JP	1177154	4/2003
JP	1177155	4/2003
JP	1177238	4/2003
JP	1177239	4/2003
JP	1181897	6/2003
JP	1181898	6/2003
JP	1181899	6/2003
JP	1183377	7/2003
JP	1197740	1/2004
JP	1197741	1/2004
JP	1197750	1/2004
JP	1197751	1/2004
JP	1197752	1/2004

OTHER PUBLICATIONS

Cree introduces its first packaged LED product, LEDs Magazine, Oct. 2004, pp. 1-2.

Digital Images of Packages, e.g. SMD335K and Nichia and Stanley Packages (believed to be commercially available prior to Sep. 28, 2006) (1 sheet).

Nichia Press Release, "Nichia Asserts Design Patents Against Seoul Semiconductor," http://www.nichia.co.jp/about_nichia/2006/2006_011601.html, Ma 27, 2008 (3 sheets).

Nichia Press Release, "Summary of Patent Infringement Assessment Report," http://www.nichia.co.jp/about_nichia/2006/2006_021702.html, May 27, 2008 (3 sheets).

Product Specification for Nichia Chip Type White LED, Model NESW008BT; <http://www.nichia.com/product/led-smd-sideview.html>, Aug. 29, 2006 (15 sheets).

Product Specification for Nichia Chip Type White LED, Model NSCW335T; <http://www.nichia.com/product/led-smd-sideview.html>, Aug. 29, 2006 (15 sheets).

Product Specification for Nichia Chip Type White LED, Model NSSW020AT; <http://www.nichia.com/product/led-smd-sideview.html>, Aug. 29, 2006 (15 sheets).

Cree Registered Design for Community Design No. 697743-0001 dated Mar. 23, 2007.

US D669,040 S

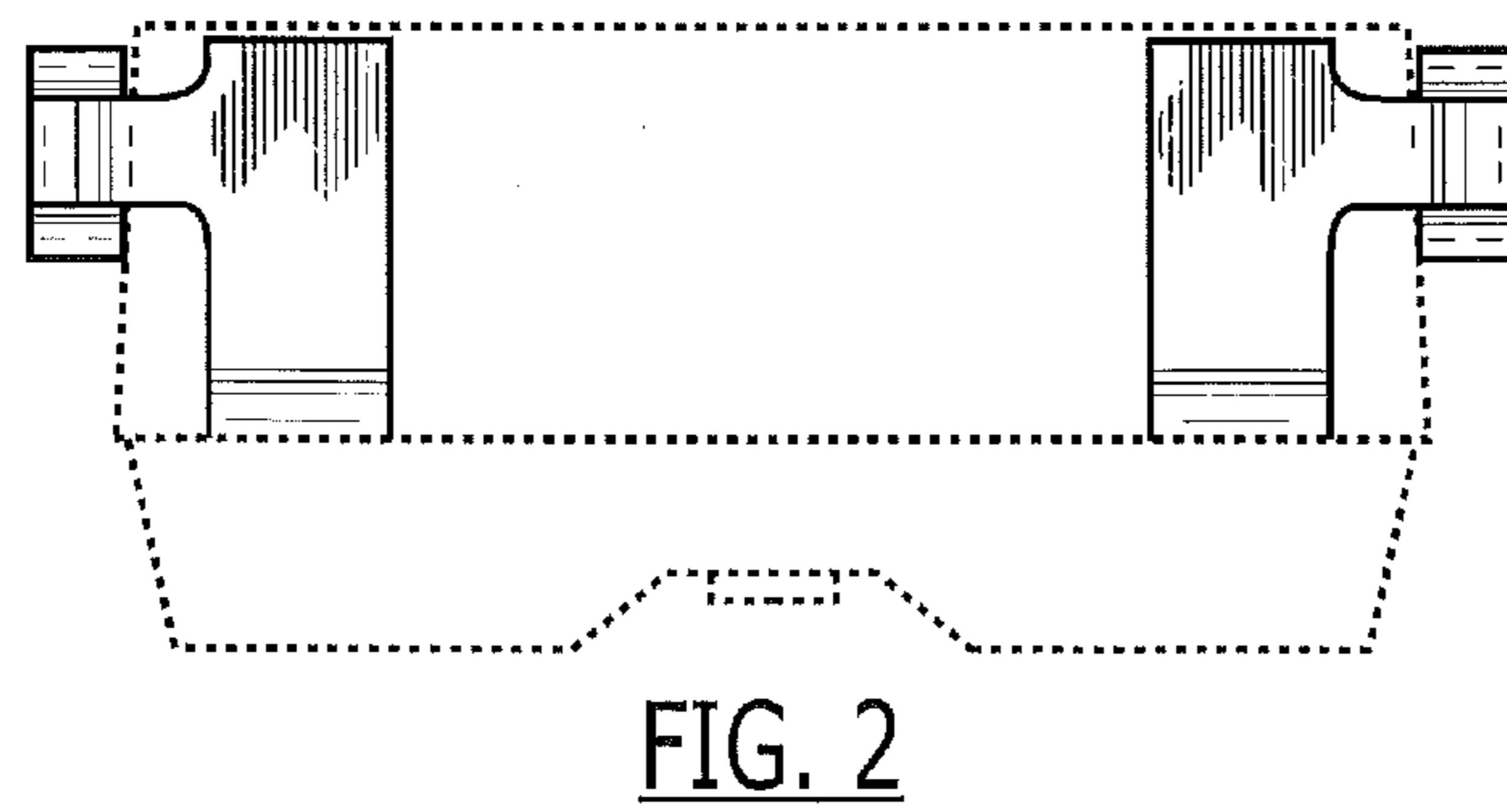
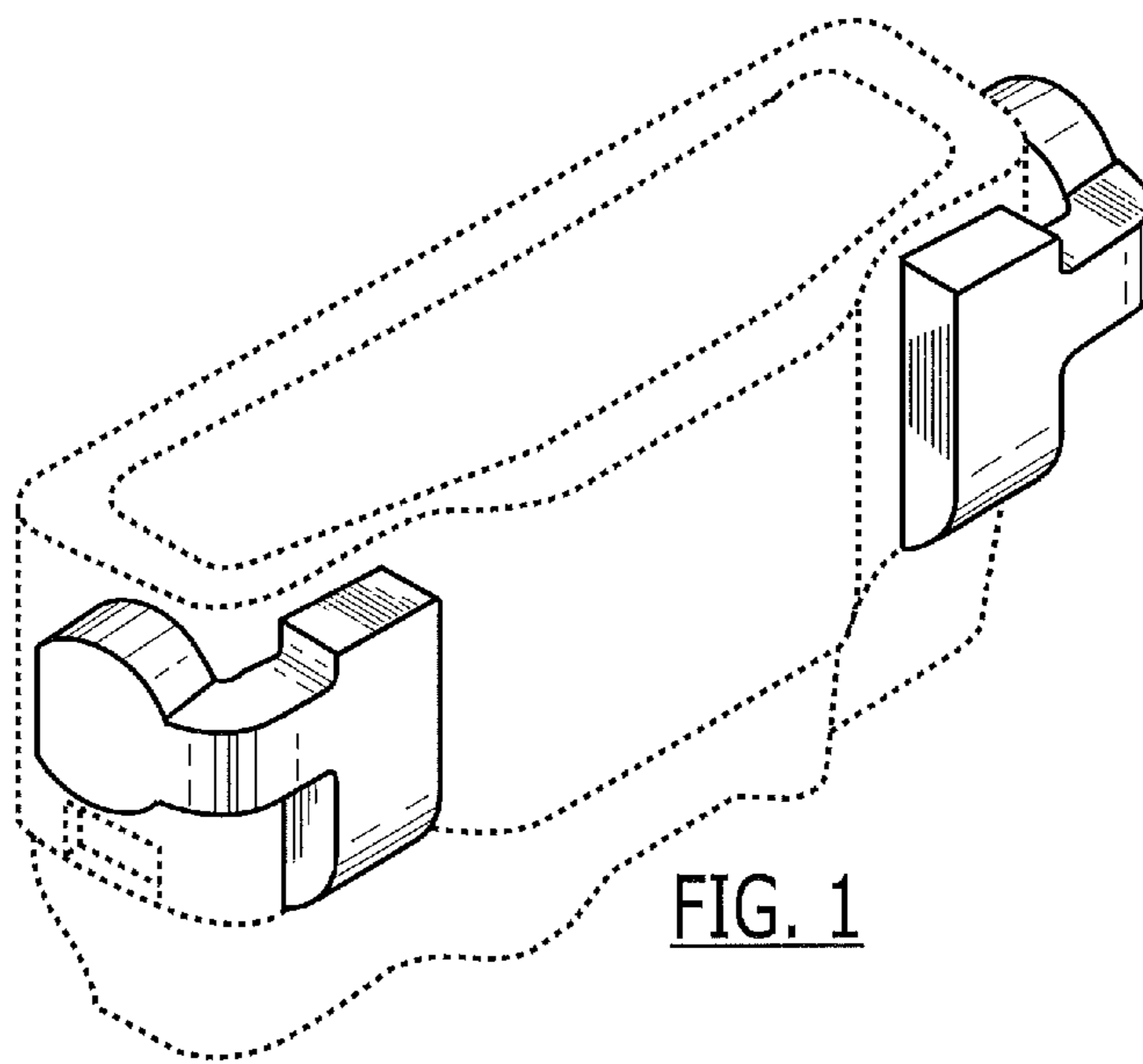
Page 3

Cree Registered Design for Community Design No. 697743-0002
dated Mar. 23, 2007.

Cree Registered Design for Community Design No. 697743-0003
dated Mar. 23, 2007.

Cree Registered Design for Community Design No. 697743-0004
dated Mar. 23, 2007.

* cited by examiner



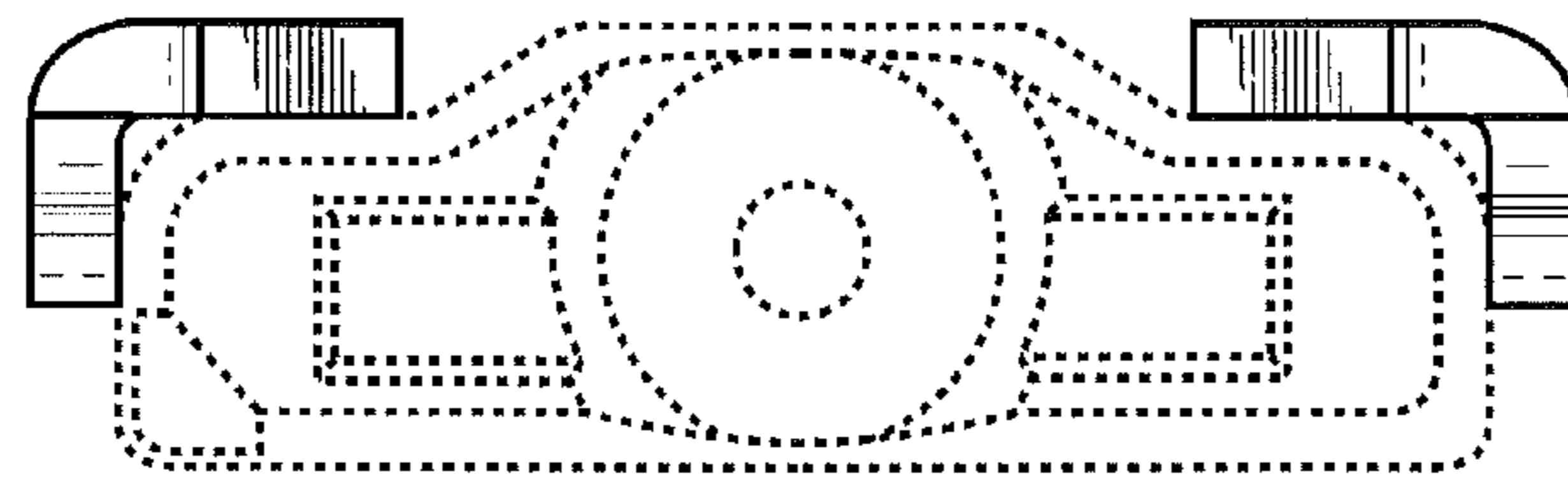


FIG. 3

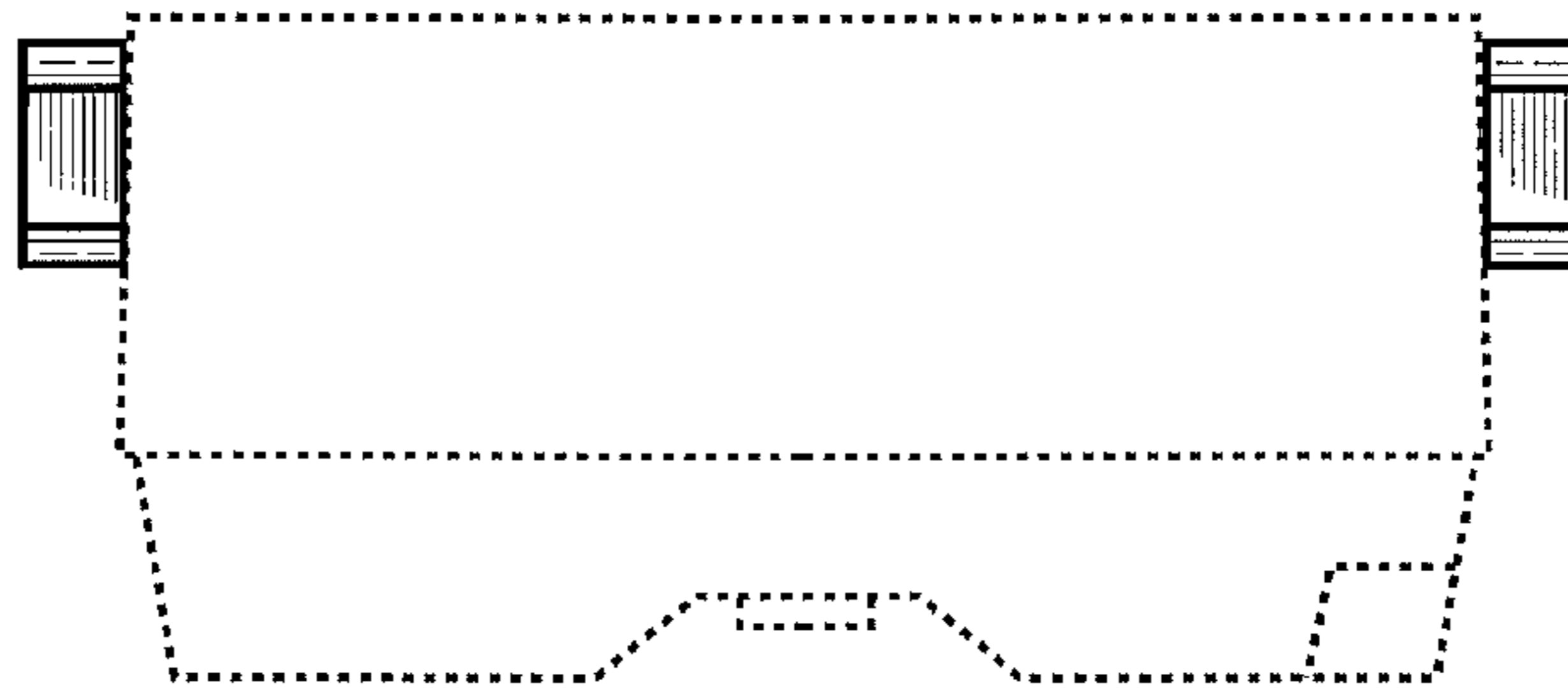


FIG. 4

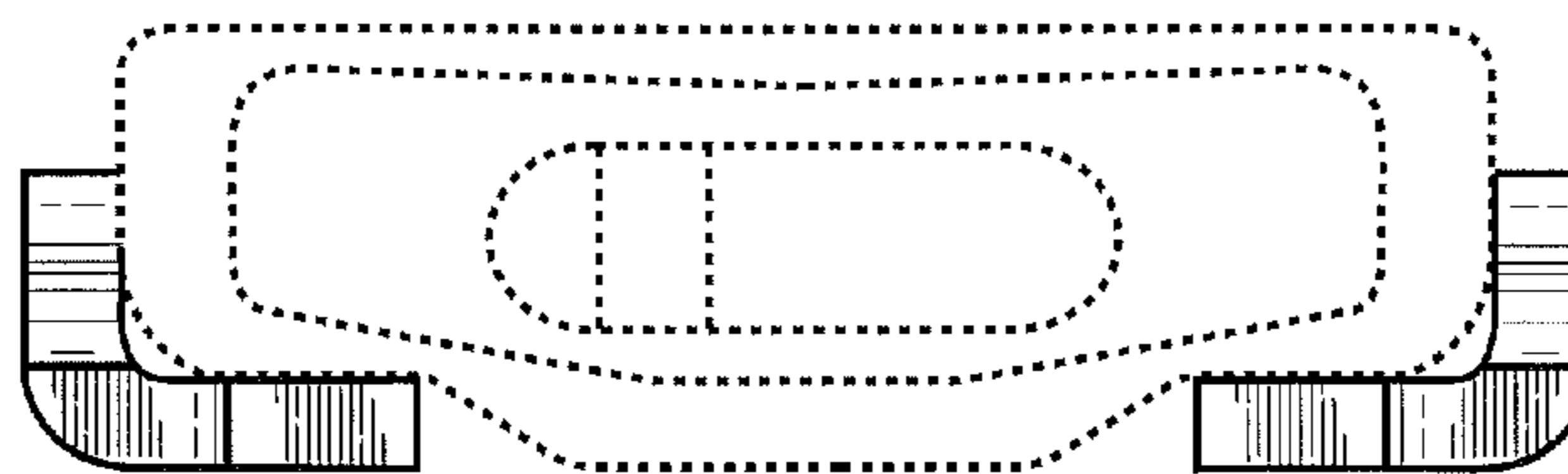


FIG. 5

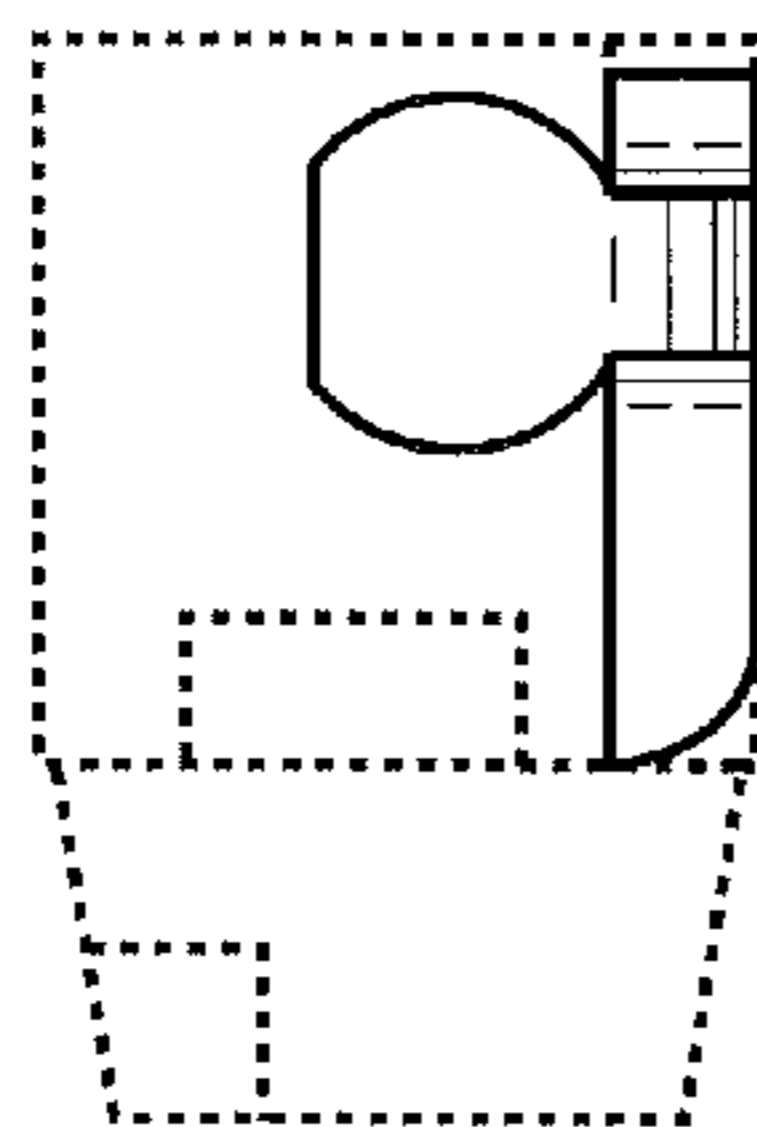


FIG. 6

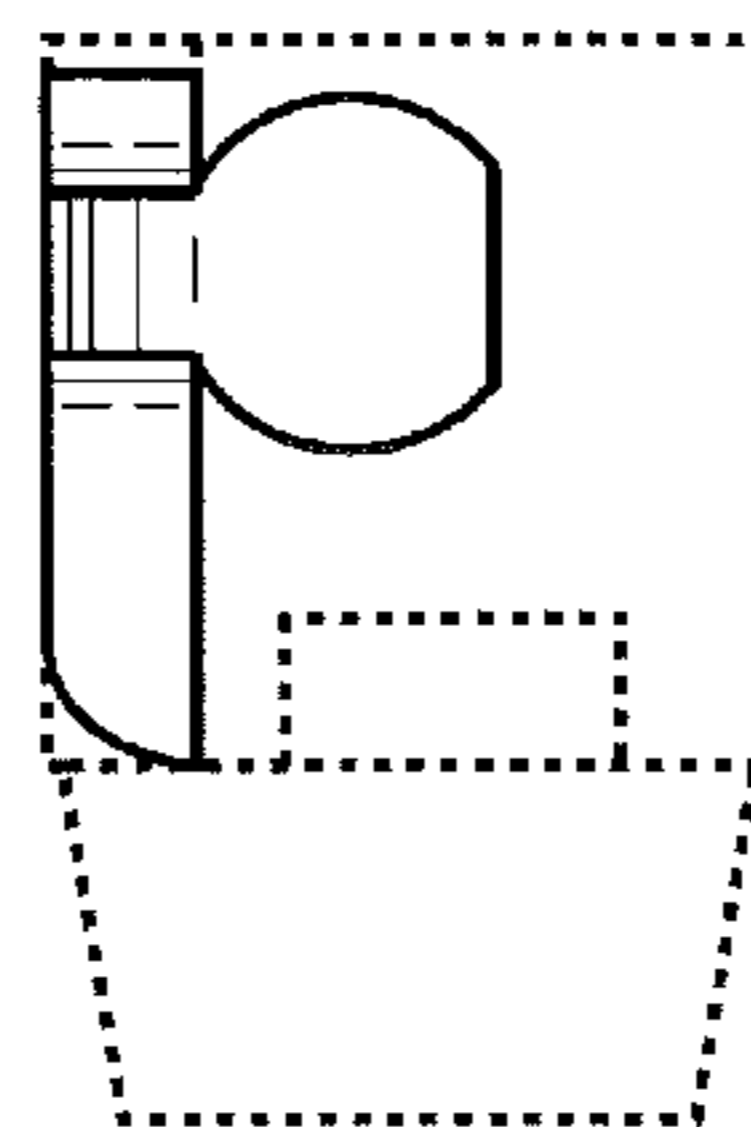


FIG. 7

UNITED STATES PATENT AND TRADEMARK OFFICE
CERTIFICATE OF CORRECTION

PATENT NO. : D669,040 S
APPLICATION NO. : 29/365193
DATED : October 16, 2012
INVENTOR(S) : Hussell et al.

Page 1 of 1

It is certified that error appears in the above-identified patent and that said Letters Patent is hereby corrected as shown below:

On Title Page:

Item (56), References Cited, Page 2:

Please add the reference below:

-- D509,196 09/2005 Kamada --

Signed and Sealed this
Twenty-third Day of April, 2013



Teresa Stanek Rea
Acting Director of the United States Patent and Trademark Office