



US00D669039S

(12) **United States Design Patent**
Gunji et al.

(10) **Patent No.:** **US D669,039 S**

(45) **Date of Patent:** **** Oct. 16, 2012**

(54) **PRESSURE SWITCH HAVING A DIGITAL DISPLAY**

(75) Inventors: **Ken Gunji**, Moriya (JP); **Mitsuhiro Saitoh**, Koshigaya (JP)

(73) Assignee: **SMC Kabushiki Kaisha**, Tokyo (JP)

(**) Term: **14 Years**

(21) Appl. No.: **29/391,418**

(22) Filed: **May 9, 2011**

(30) **Foreign Application Priority Data**

Nov. 10, 2010 (JP) 2010-027037

(51) **LOC (9) Cl.** **13-03**

(52) **U.S. Cl.** **D13/171; D13/158**

(58) **Field of Classification Search** D13/158,
D13/171, 173; D10/85; 200/5 A, 5 R, 83,
200/83 Q, 81 R, 520, 308, 341; 73/700

See application file for complete search history.

(56) **References Cited**

U.S. PATENT DOCUMENTS

- D437,295 S * 2/2001 Gunji et al. D13/158
- D497,145 S * 10/2004 Seo D13/158
- 7,186,934 B2 * 3/2007 Nakajima 200/81 R
- D557,215 S * 12/2007 Kurisaki et al. D13/158
- D559,195 S * 1/2008 Tamaoki D13/158

- D568,255 S * 5/2008 Kurisaki et al. D13/158
- 7,663,496 B2 * 2/2010 Kawakami et al. 340/626
- 7,893,371 B2 * 2/2011 Kawakami et al. 200/81 R
- D635,936 S * 4/2011 Reiser et al. D13/158
- 2004/0187585 A1 * 9/2004 Miyamoto et al. 73/700

FOREIGN PATENT DOCUMENTS

JP D1337343 8/2008

* cited by examiner

Primary Examiner — Selina Sikder

(74) *Attorney, Agent, or Firm* — Holtz, Holtz, Goodman & Chick, PC

(57) **CLAIM**

The ornamental design for a pressure switch having a digital display, as shown and described.

DESCRIPTION

FIG. 1 is a front, top and left-side perspective view of a pressure switch having a digital display showing our new design;

FIG. 2 is a front view thereof;

FIG. 3 is a rear view thereof;

FIG. 4 is a top plan view thereof;

FIG. 5 is a bottom plan view thereof;

FIG. 6 is a left side view thereof; and,

FIG. 7 is a right side view thereof.

The broken line showing in the drawings is for illustrative purpose only and forms no part of the claimed design, while the dashed-dotted line which define the bounds of the claimed design form no part thereof.

1 Claim, 7 Drawing Sheets

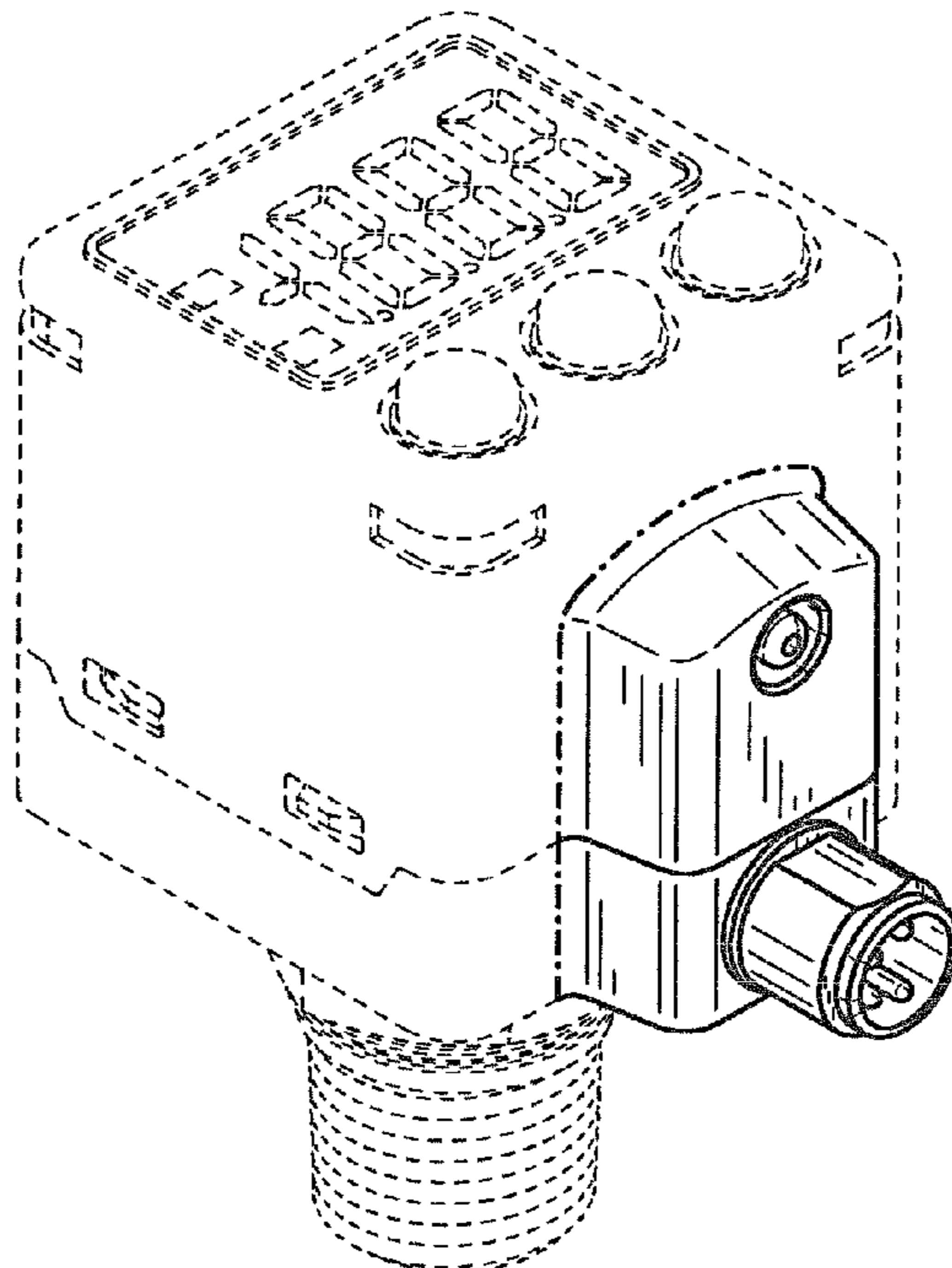


FIG. 1

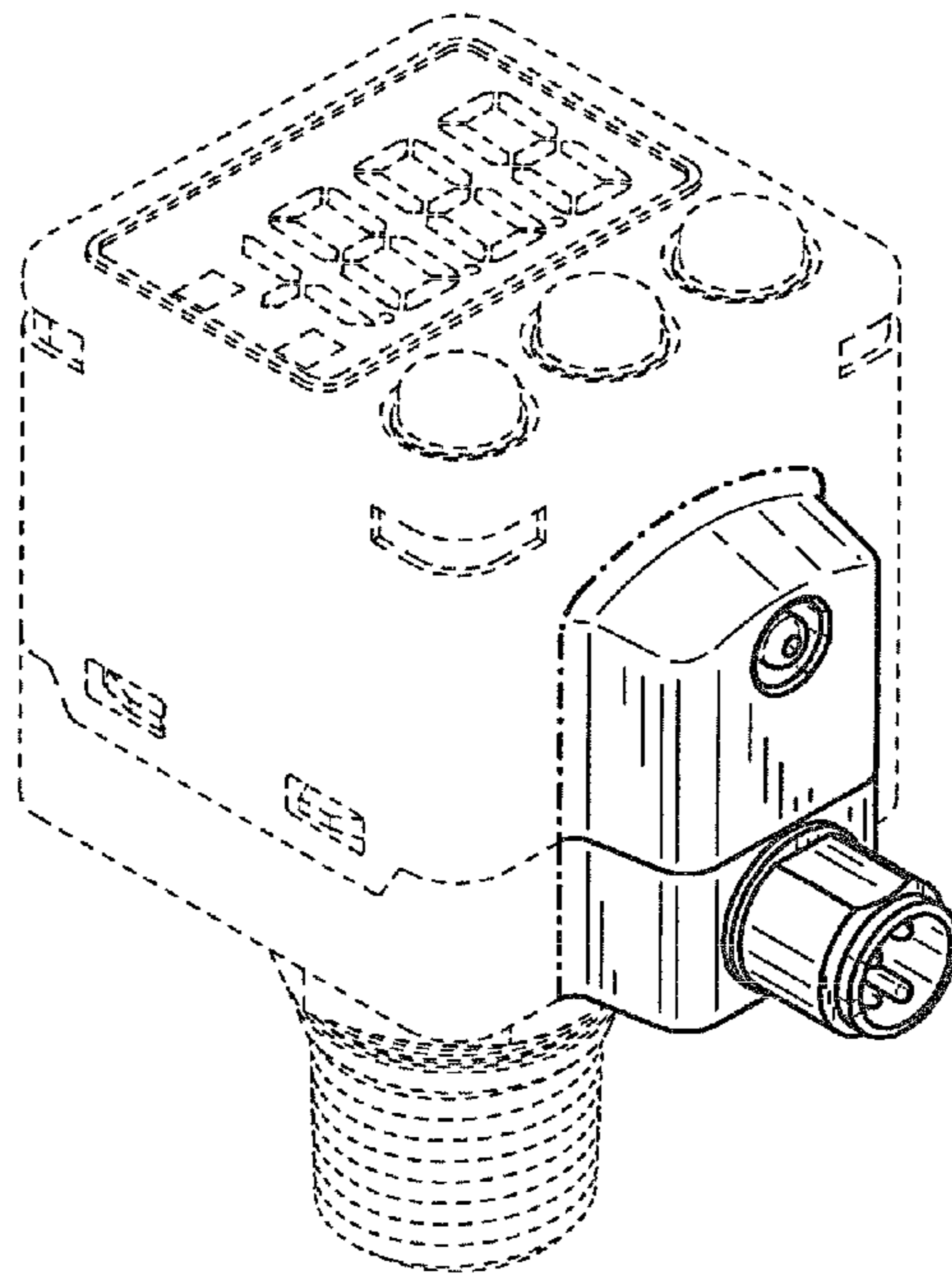


FIG. 2

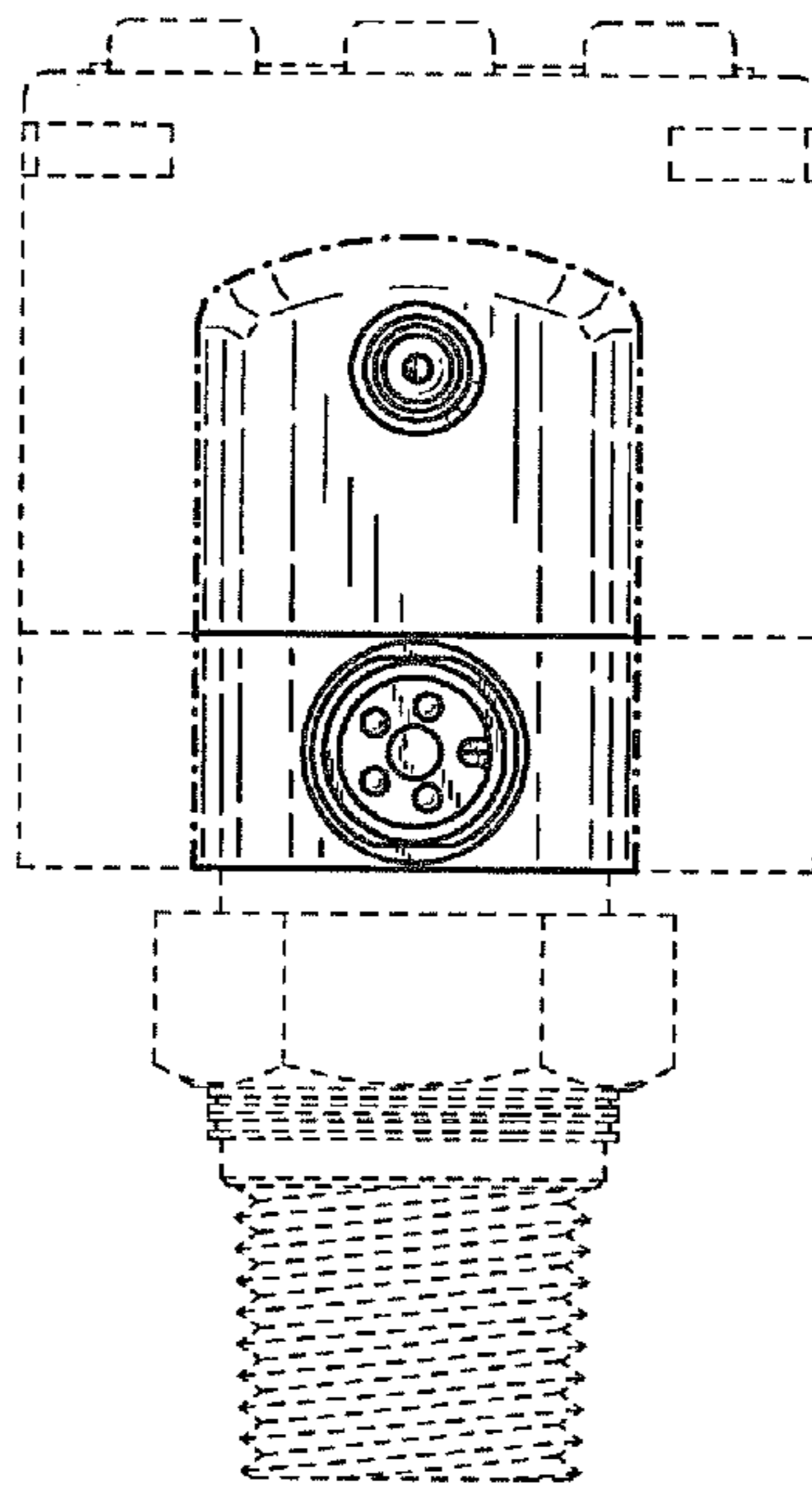


FIG. 3

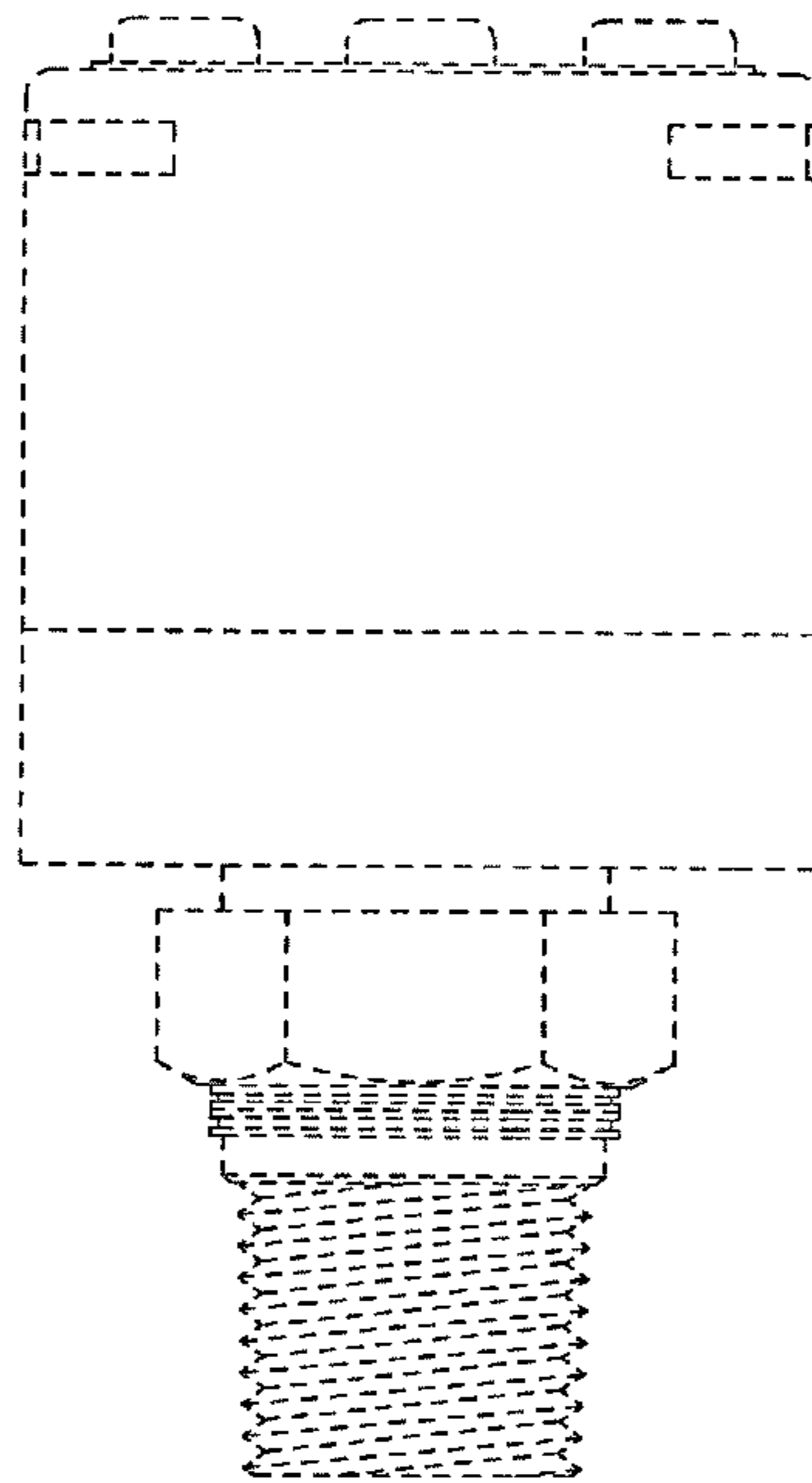


FIG. 4

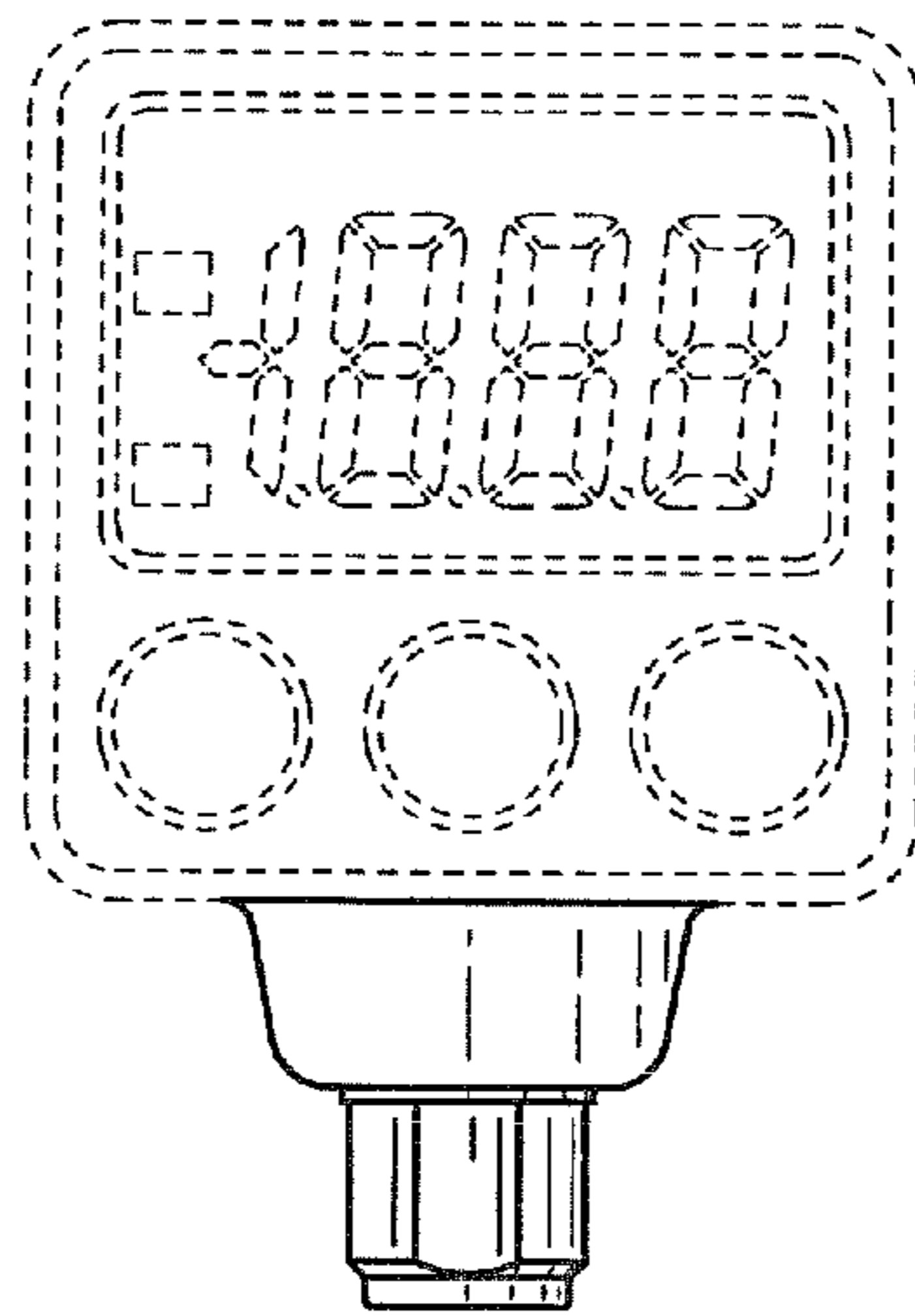


FIG. 5

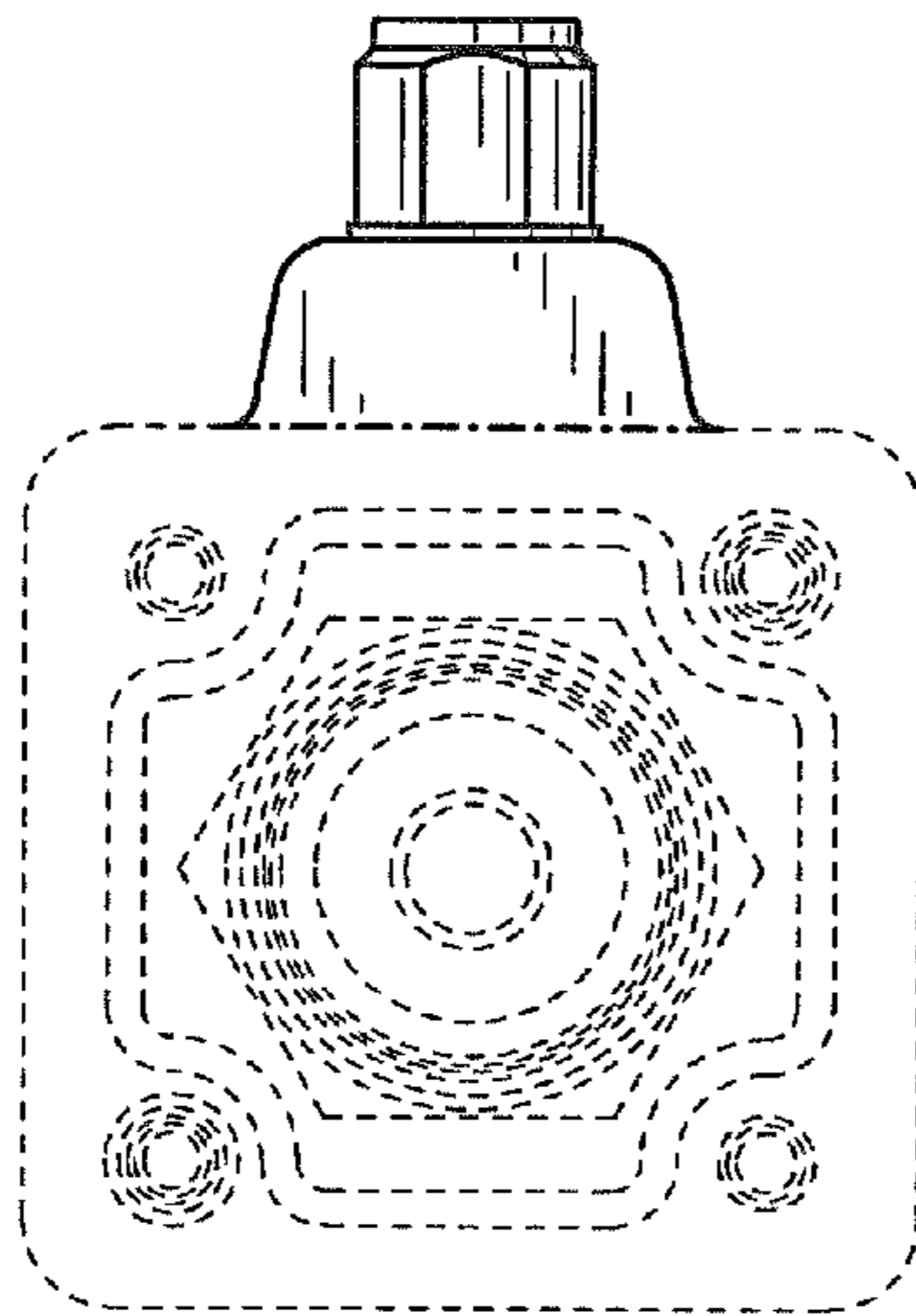


FIG. 6

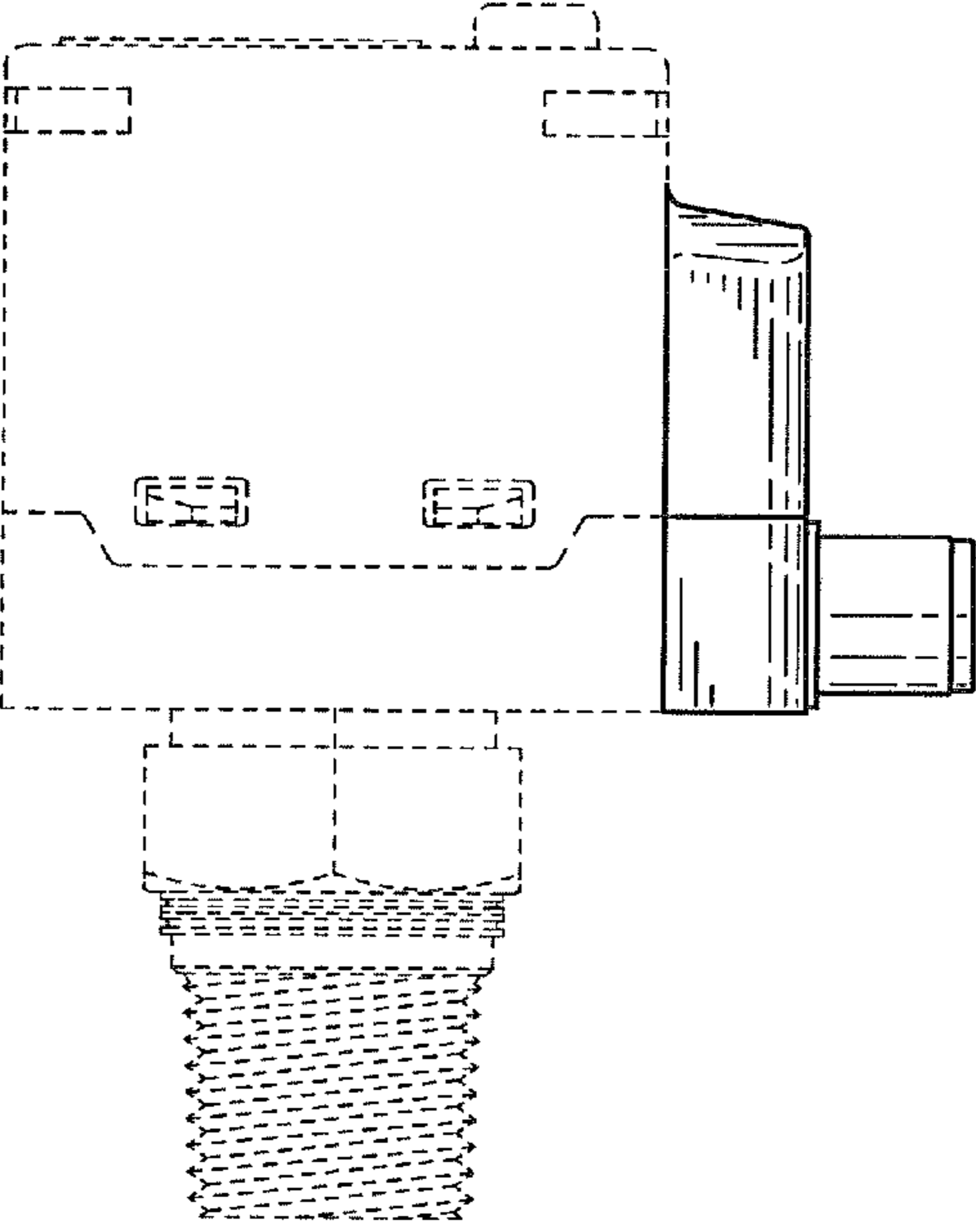


FIG. 7

