

US00D669038S

(12) **United States Design Patent**
Felegy, Jr. et al.

(10) **Patent No.:** **US D669,038 S**
(45) **Date of Patent:** **** *Oct. 16, 2012**

(54) **MULTI-ZONE TABLETOP REMOTE LOAD CONTROL DEVICE**

(75) Inventors: **Edward M. Felegy, Jr.**, Macungie, PA (US); **David William Petrillo**, Pennington, NJ (US); **Gregory M. Snyder**, Germanville, PA (US); **Gregory M. Altonen**, Easton, PA (US); **Elliot G. Jacoby**, Glenside, PA (US); **Noel Mayo**, Philadelphia, PA (US); **Joel S. Spira**, Coopersburg, PA (US)

(73) Assignee: **Lutron Electronics Co., Inc.**, Coopersburg, PA (US)

(*) Notice: This patent is subject to a terminal disclaimer.

(**) Term: **14 Years**

(21) Appl. No.: **29/394,362**

(22) Filed: **Jun. 16, 2011**

(51) **LOC (9) Cl.** **14-03**

(52) **U.S. Cl.** **D13/168**

(58) **Field of Classification Search** D13/164, D13/168, 174; D10/104.1, 106.1; D14/218; D21/324; D26/26; 315/158, 295; 340/4.3, 340/4.42, 12.22, 12.23, 12.24, 12.29, 12.3, 340/13.2, 13.21, 13.24; 341/176; 345/169; 348/734; 455/352; 463/39; 700/17, 65, 700/83; 200/5 B, 308

See application file for complete search history.

(56) **References Cited**

U.S. PATENT DOCUMENTS

6,992,612 B2 1/2006 Pessina et al.
D537,046 S 2/2007 Blair et al.
D619,105 S 7/2010 Felegy, Jr. et al.
D619,971 S 7/2010 Felegy, Jr. et al.

D627,307 S 11/2010 Petrillo et al.
D636,739 S 4/2011 Petrillo et al.
D641,713 S 7/2011 Petrillo
2003/0015302 A1* 1/2003 Pessina et al. 160/331
2006/0272569 A1* 12/2006 Lehmer et al. 116/200
2011/0147190 A1* 6/2011 GaleWyrick et al. 200/5 B

* cited by examiner

Primary Examiner — Selina Sikder

(74) *Attorney, Agent, or Firm* — Mark E. Rose; Philip N. Smith; Bridget L. McDonough

(57) **CLAIM**

We claim the ornamental design for a multi-zone tabletop remote load control device, as shown and described.

DESCRIPTION

The file of this patent contains at least one drawing executed in color. Copies of this patent with color drawings will be provided by the Office upon request and payment of the necessary fee.

FIG. 1 is a perspective view of a multi-zone tabletop remote load control device according to a first embodiment of our new design.

FIG. 2 is a front view thereof.

FIG. 3 is a left side view thereof.

FIG. 4 is a right side view thereof.

FIG. 5 is a top view thereof.

FIG. 6 is a bottom view thereof.

FIG. 7 is a perspective view of a multi-zone tabletop remote load control device according to a second embodiment of our new design.

FIG. 8 is a front view thereof.

FIG. 9 is a left side view thereof.

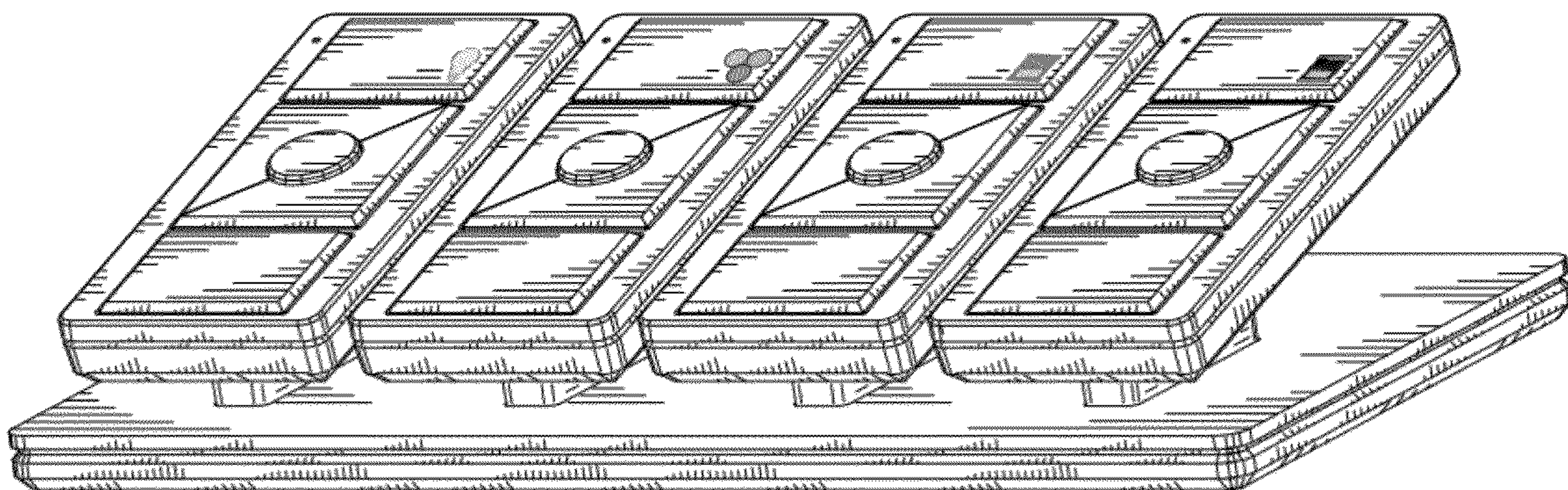
FIG. 10 is a right side view thereof.

FIG. 11 is a top view thereof; and,

FIG. 12 is a bottom view thereof.

The rear views form no part of the design and are omitted.

1 Claim, 8 Drawing Sheets
(3 of 8 Drawing Sheet(s) Filed in Color)



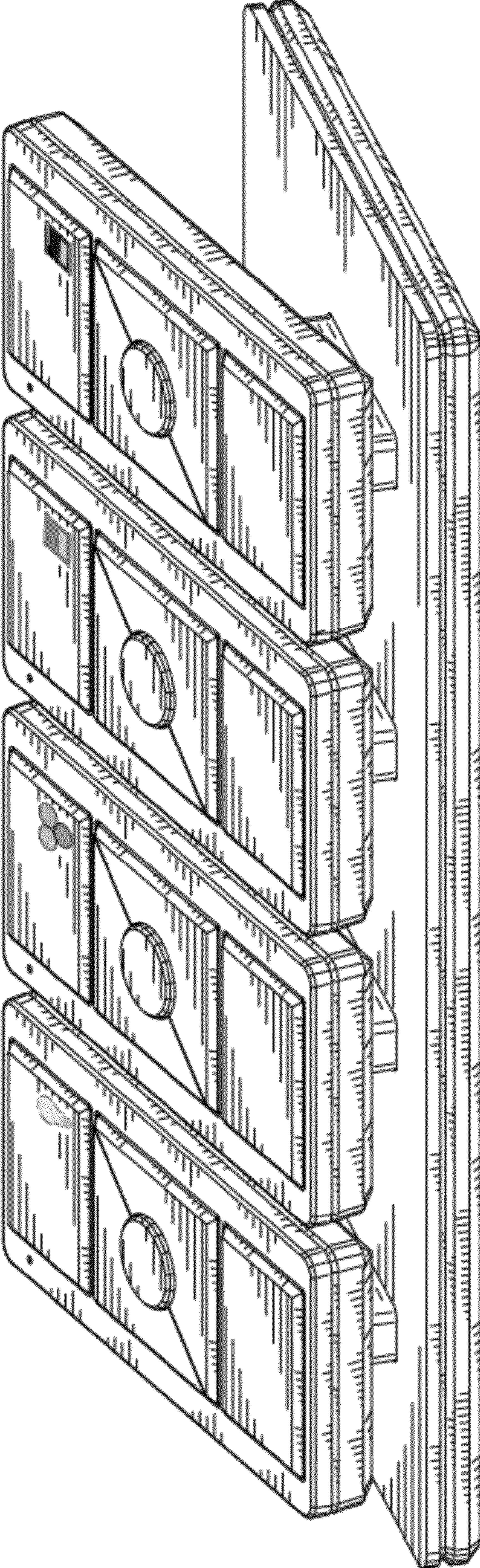


Fig. 1

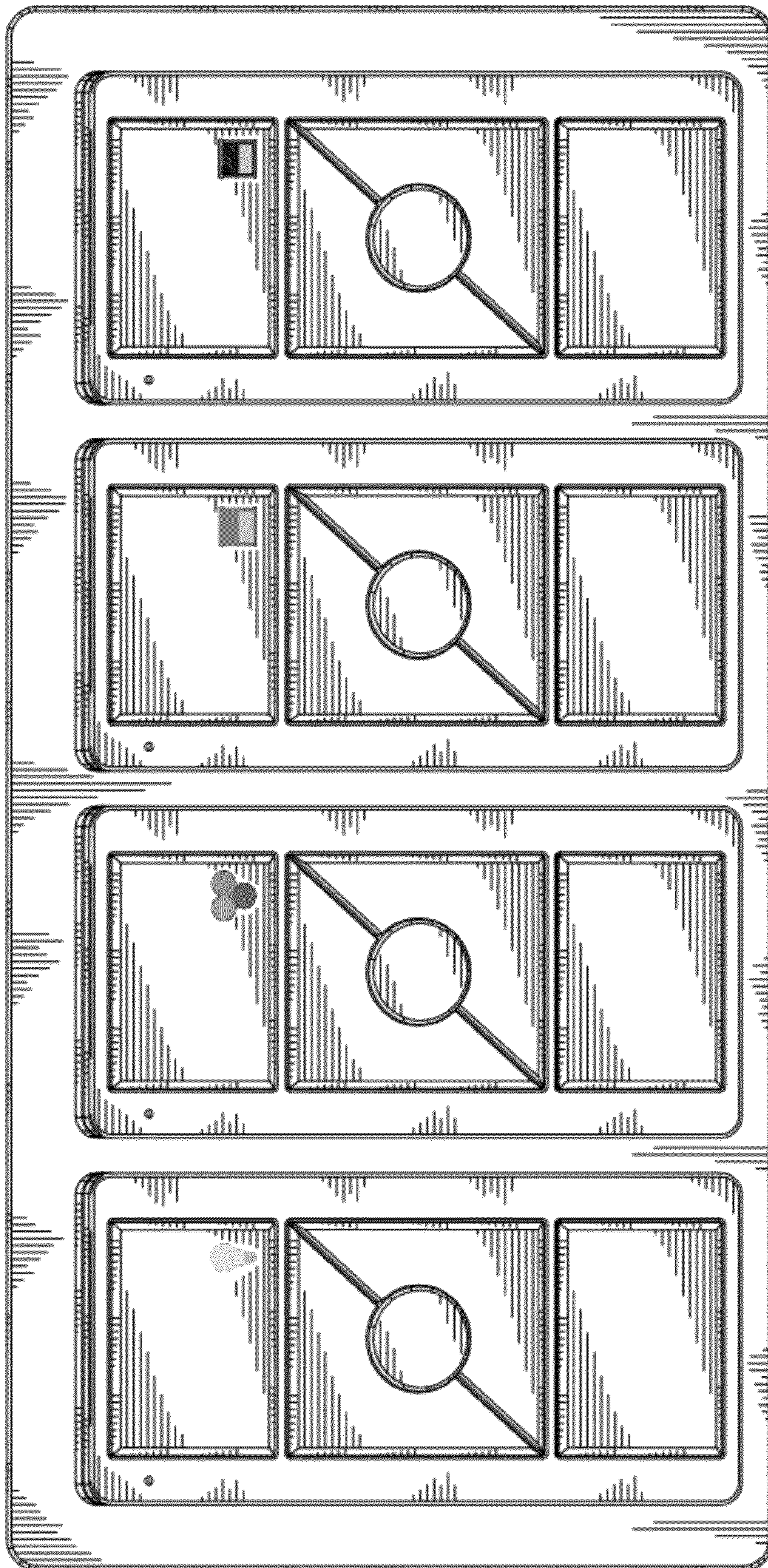


Fig. 2

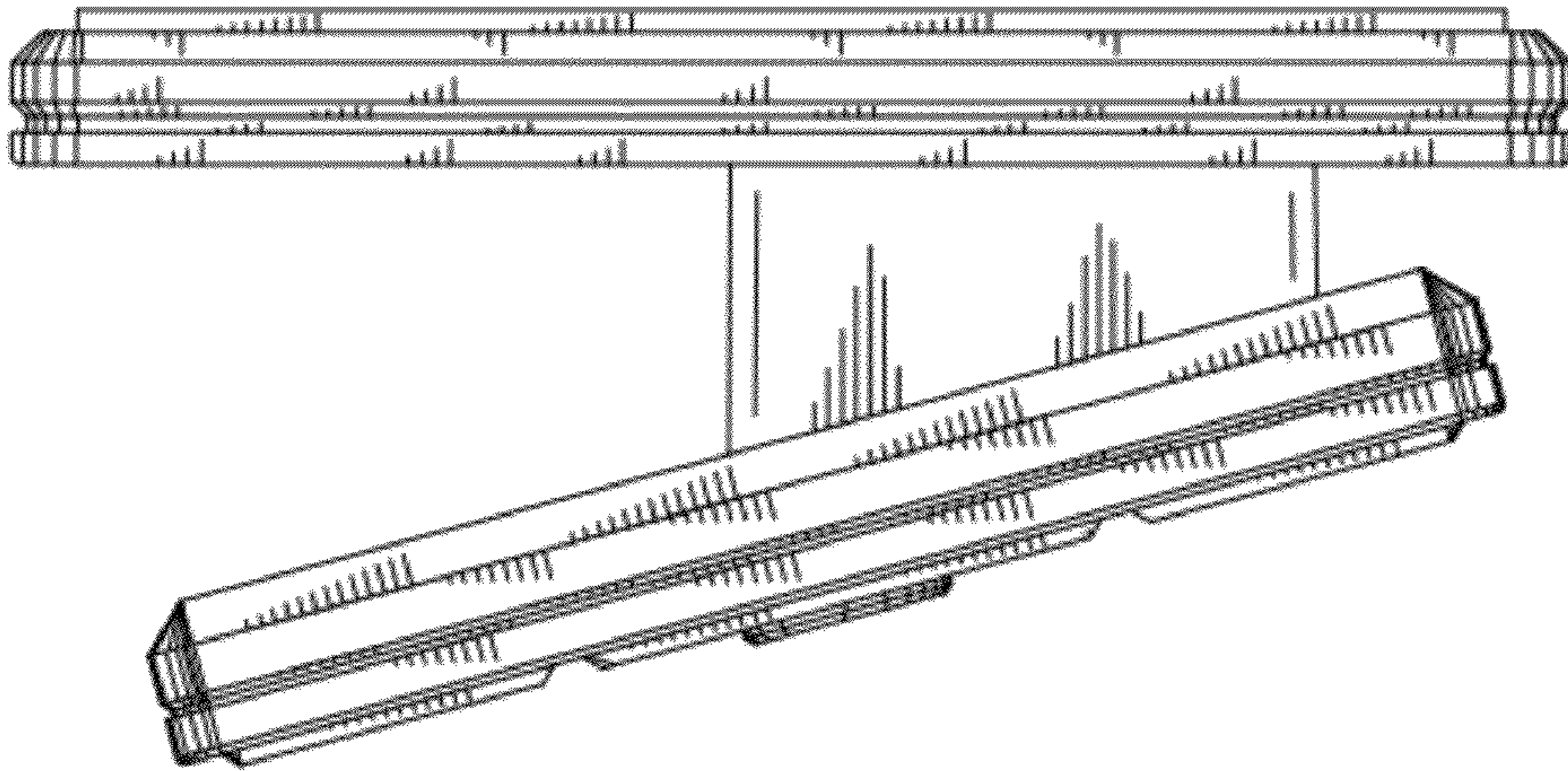


Fig. 4

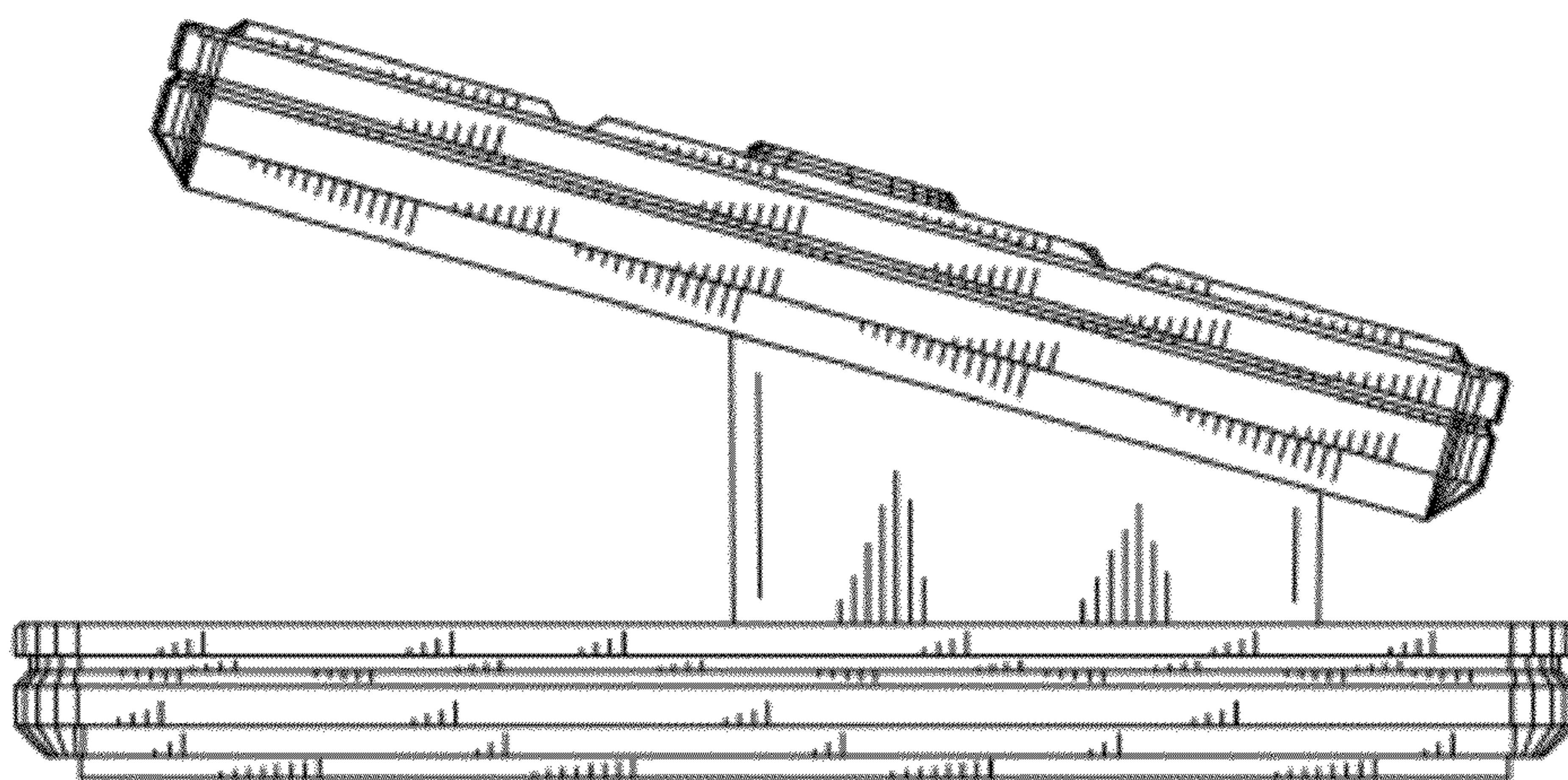


Fig. 3

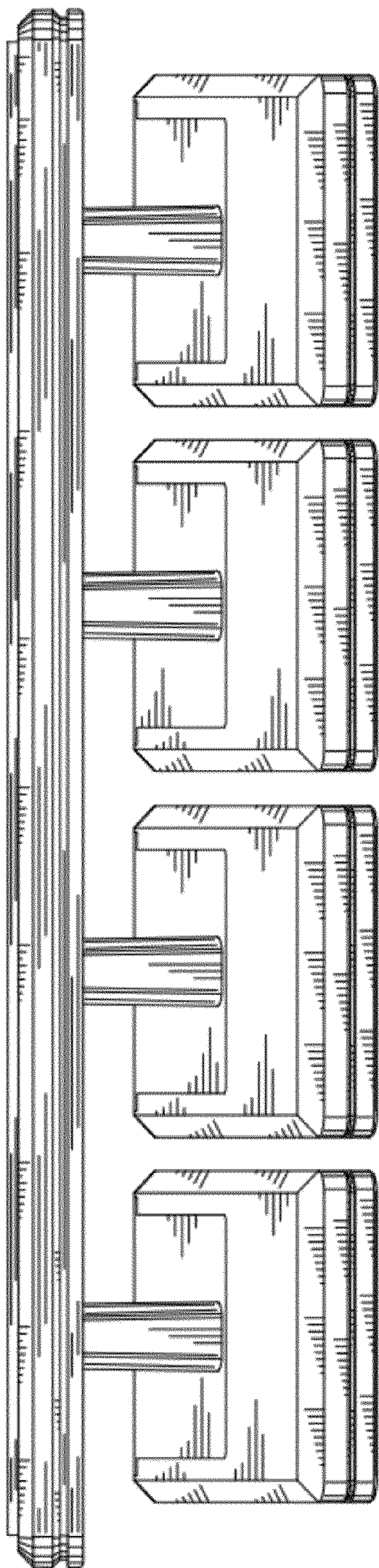


Fig. 5

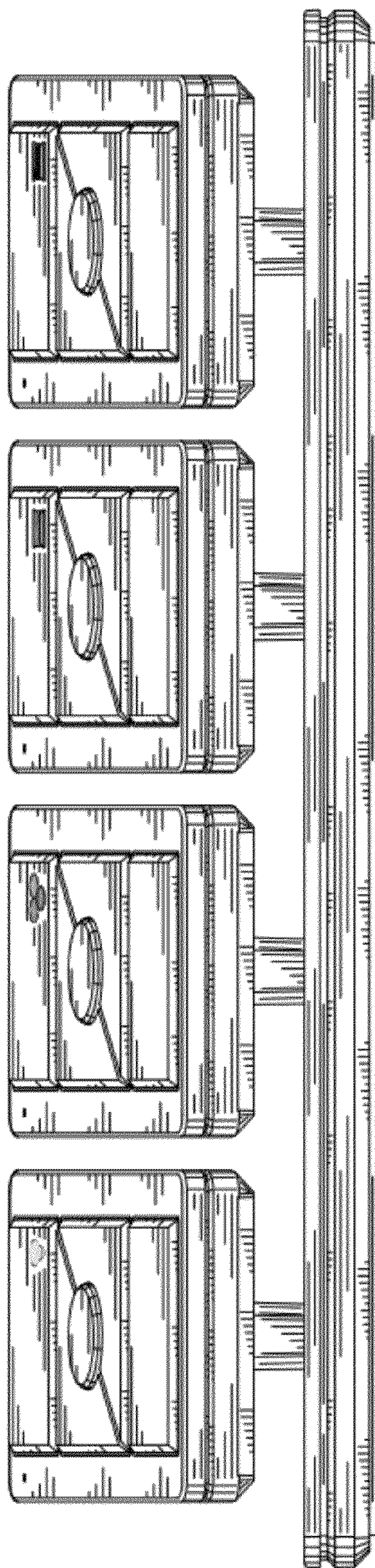


Fig. 6

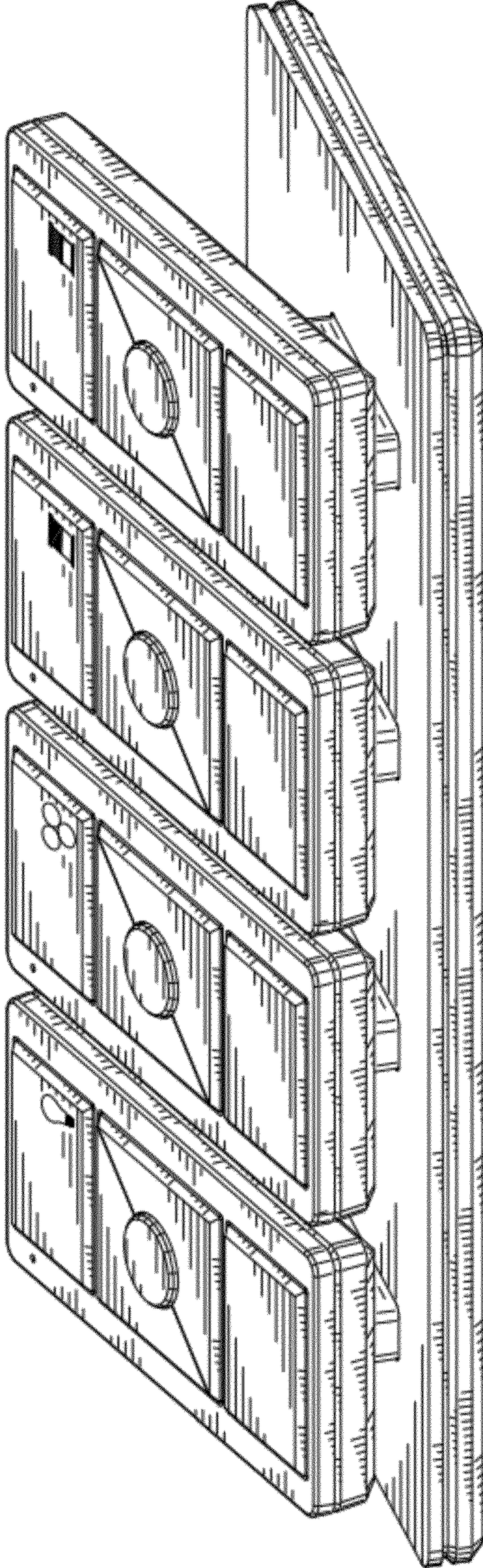


Fig. 7

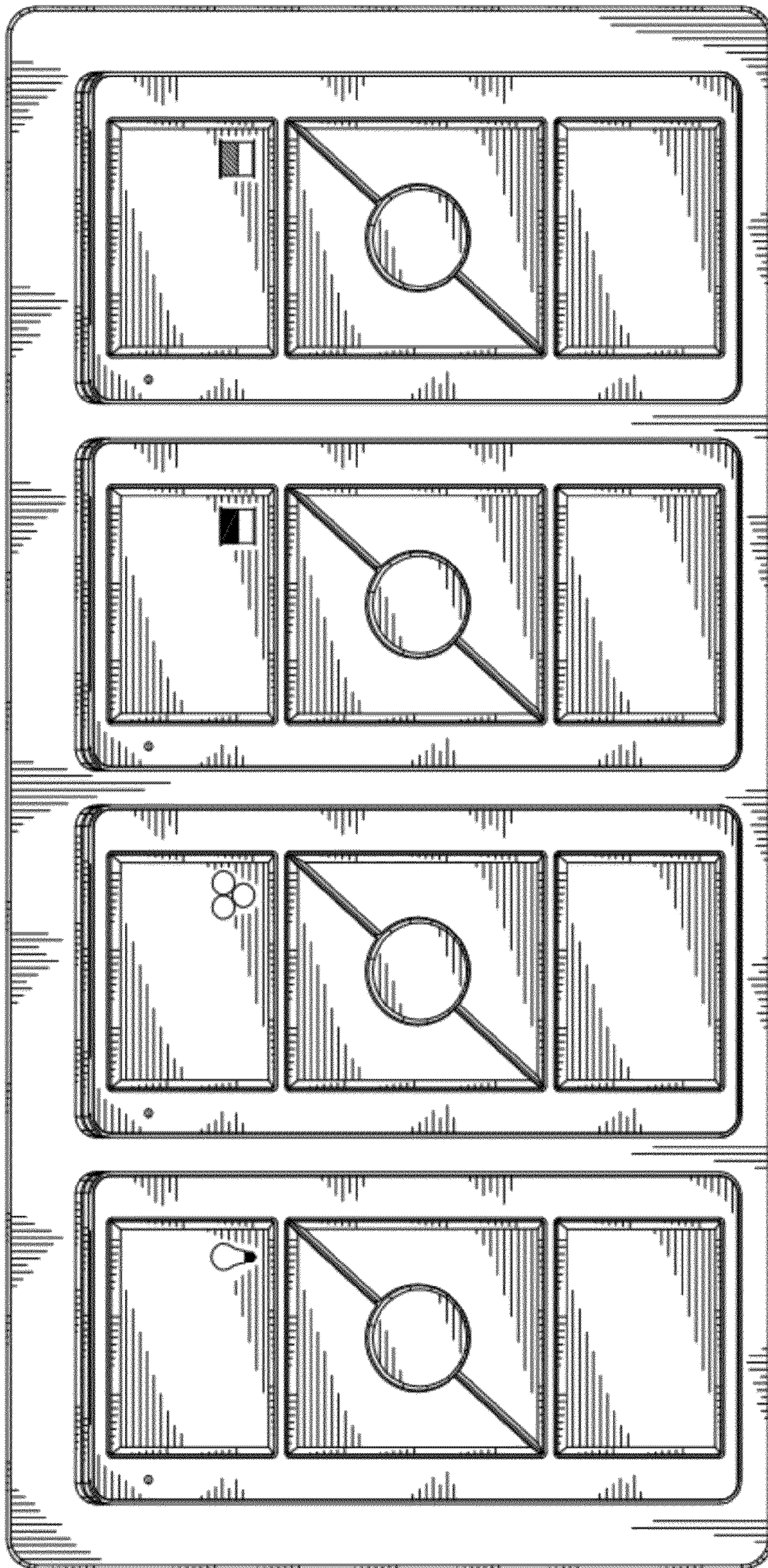


Fig. 8

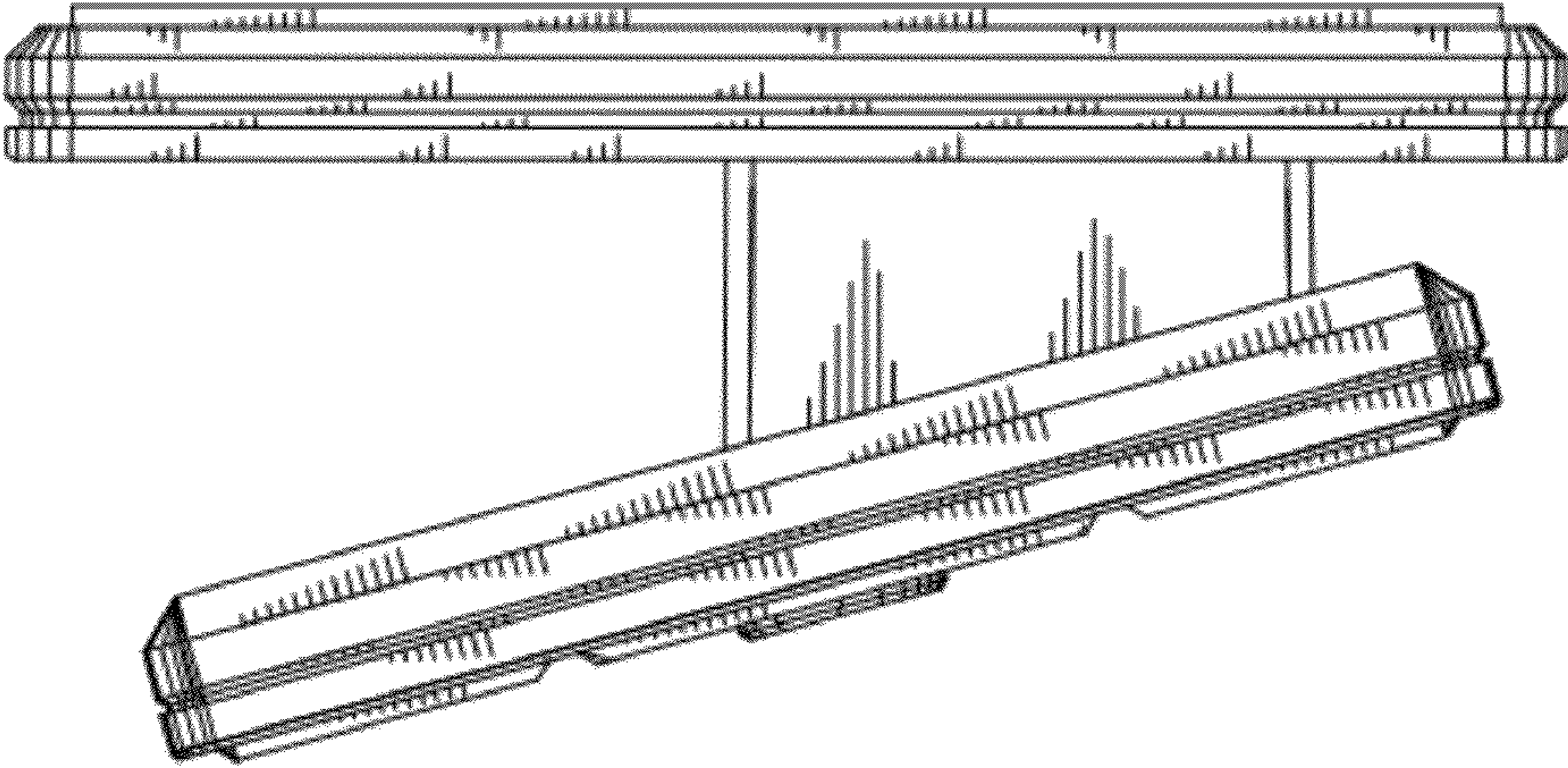


Fig. 10

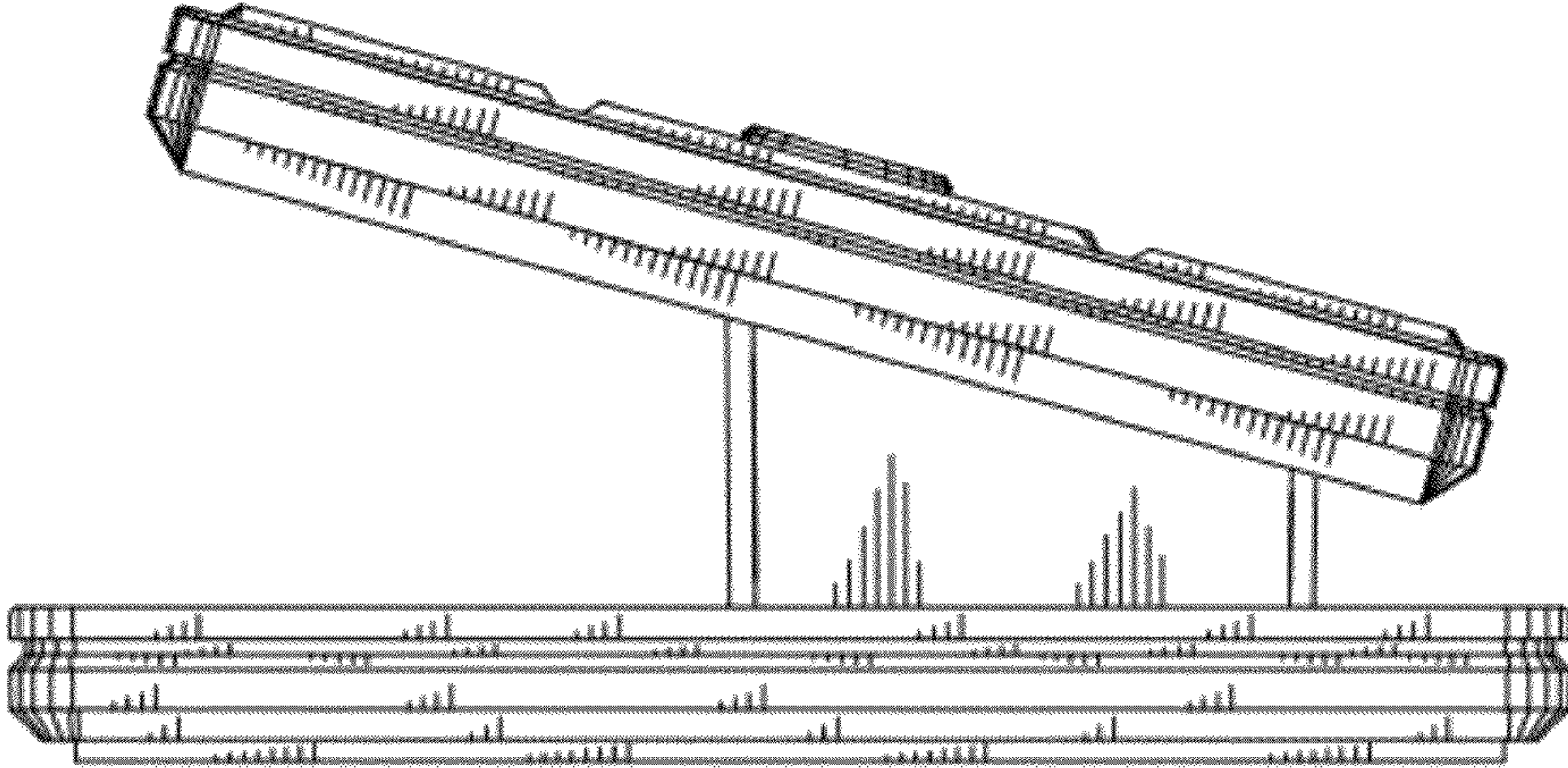


Fig. 9

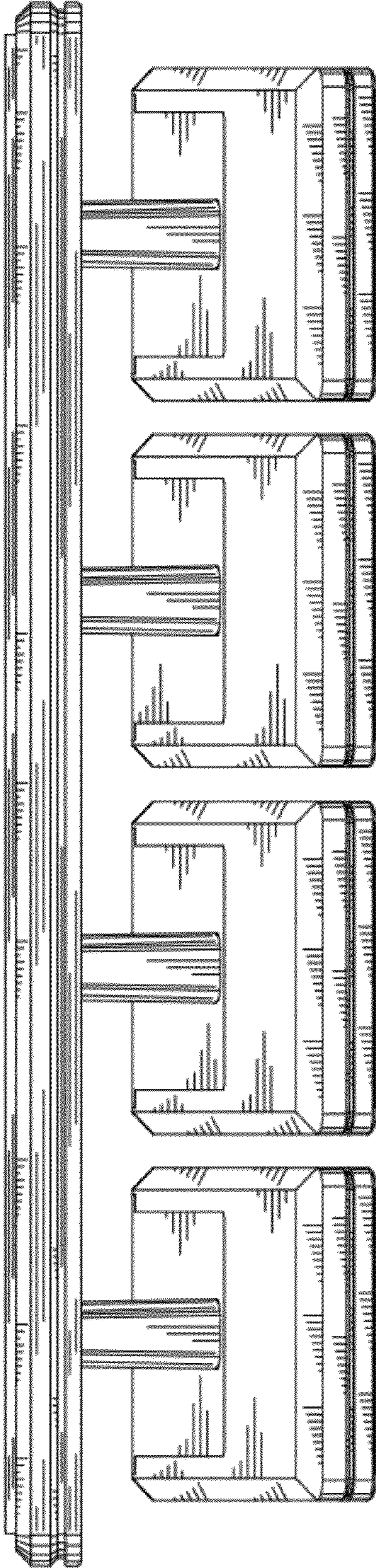


Fig. 11

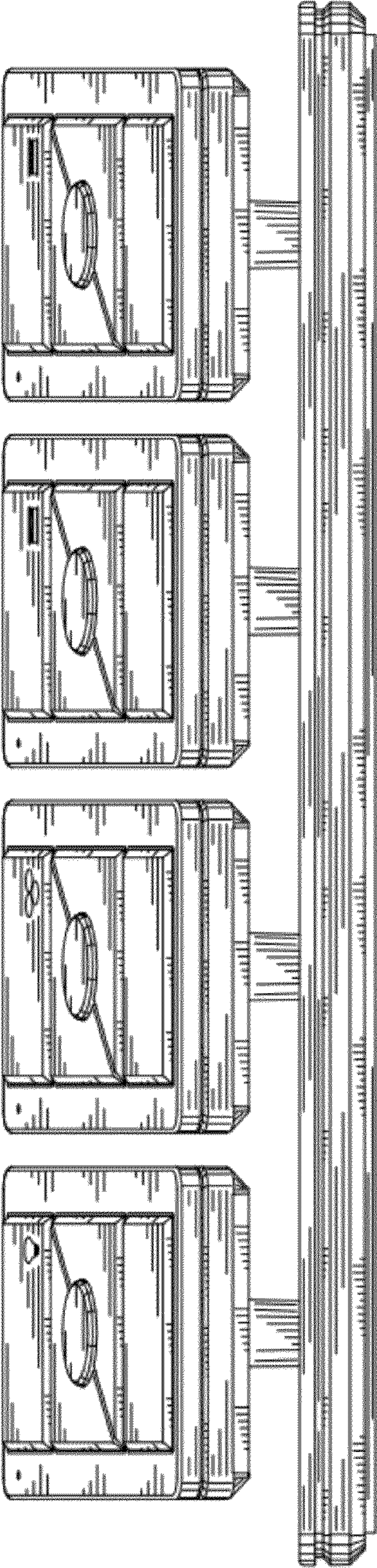


Fig. 12